



US00D588175S

(12) **United States Design Patent**
Morton

(10) **Patent No.:** **US D588,175 S**
(45) **Date of Patent:** **** Mar. 10, 2009**

- (54) **GULLET BI-METAL HOLE SAW**
- (75) Inventor: **Lane M. Morton**, Lexington, NC (US)
- (73) Assignee: **Disston Company**, Greensboro, NC (US)
- (**) Term: **14 Years**
- (21) Appl. No.: **29/279,410**
- (22) Filed: **Apr. 30, 2007**
- (51) **LOC (9) Cl.** **15-09**
- (52) **U.S. Cl.** **D15/139**
- (58) **Field of Classification Search** D8/70;
D15/138, 139, 140; 408/200–225, 1 R
See application file for complete search history.

D516,594	S	*	3/2006	Morton	D15/139
D551,269	S	*	9/2007	Burke, III	D15/139
2004/0247405	A1	*	12/2004	Keightley	408/204
2006/0130629	A1	*	6/2006	Rompel et al.	83/835
2007/0104548	A1	*	5/2007	Rompel	408/206
2008/0050189	A1	*	2/2008	Keightley	408/208
2008/0260480	A1	*	10/2008	Keightley	408/204

* cited by examiner

Primary Examiner—Sandra Snapp
Assistant Examiner—Patricia Palasik
(74) *Attorney, Agent, or Firm*—Womble Carlyle Sandridge & Rice, PLLC

(57) **CLAIM**

The ornamental design for a gullet bi-metal hole saw, as shown.

(56) **References Cited**

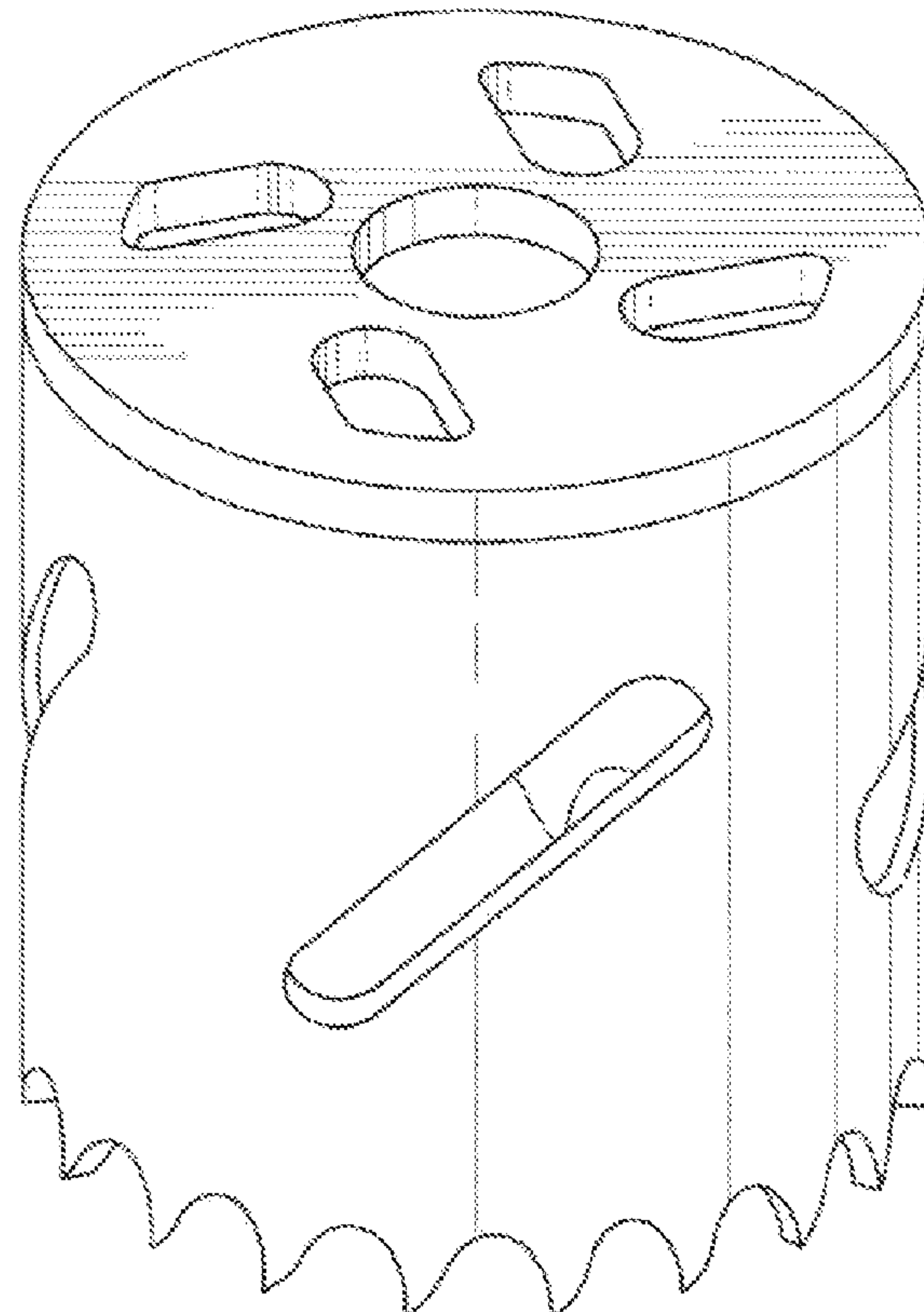
U.S. PATENT DOCUMENTS

2,482,439	A	*	9/1949	Smith	408/161
5,205,685	A	*	4/1993	Herbert	408/204
D391,974	S	*	3/1998	Brutscher	D15/139
D392,297	S	*	3/1998	Brutscher	D15/139
5,803,677	A	*	9/1998	Brutscher et al.	408/204
6,007,279	A	*	12/1999	Malone, Jr.	408/204
D438,219	S	*	2/2001	Brutscher	D15/139
6,588,992	B2	*	7/2003	Rudolph	408/204
D478,339	S	*	8/2003	Morton et al.	D15/139
D478,919	S	*	8/2003	Morton et al.	D15/139

DESCRIPTION

FIG. 1 is a side elevational view of the hole saw of the present design;
FIG. 2 is a top view of the hole saw of the present design;
FIG. 3 is a side view of the hole saw of the present design;
FIG. 4 is an additional side view of the hole saw of the present design; and,
FIG. 5 is a bottom view of the hole saw of the present design.

1 Claim, 2 Drawing Sheets



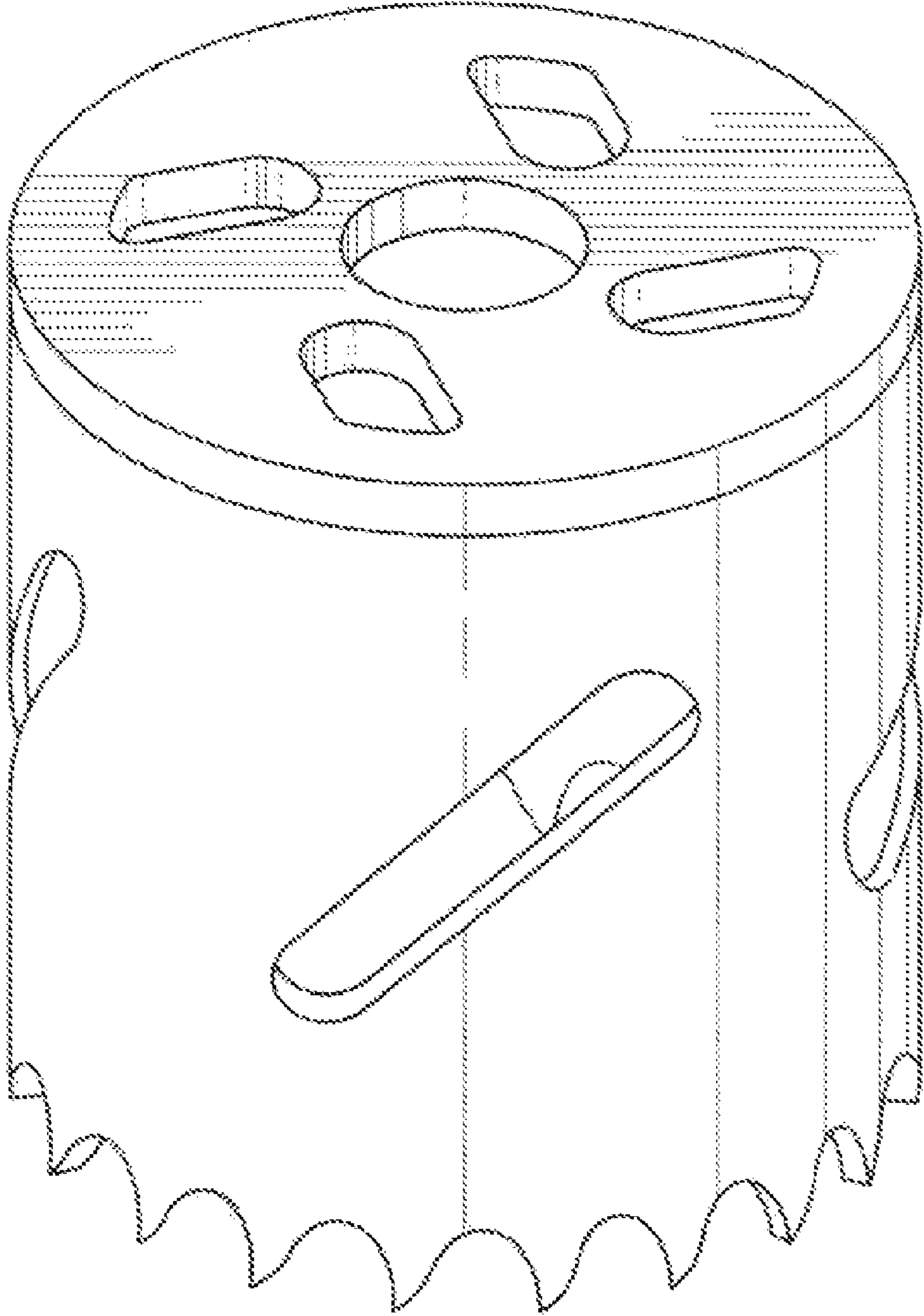


FIG. 1

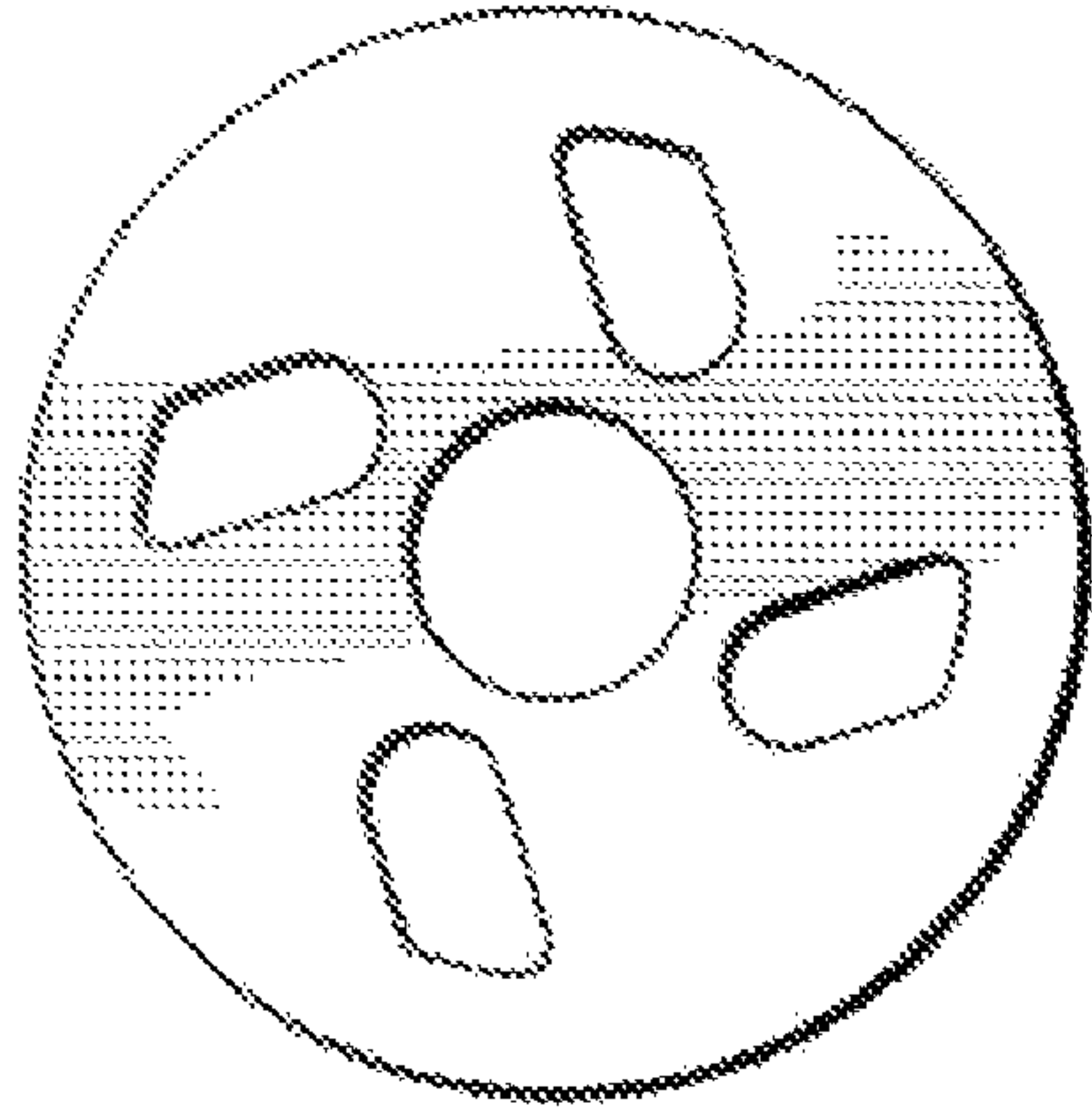


FIG. 2

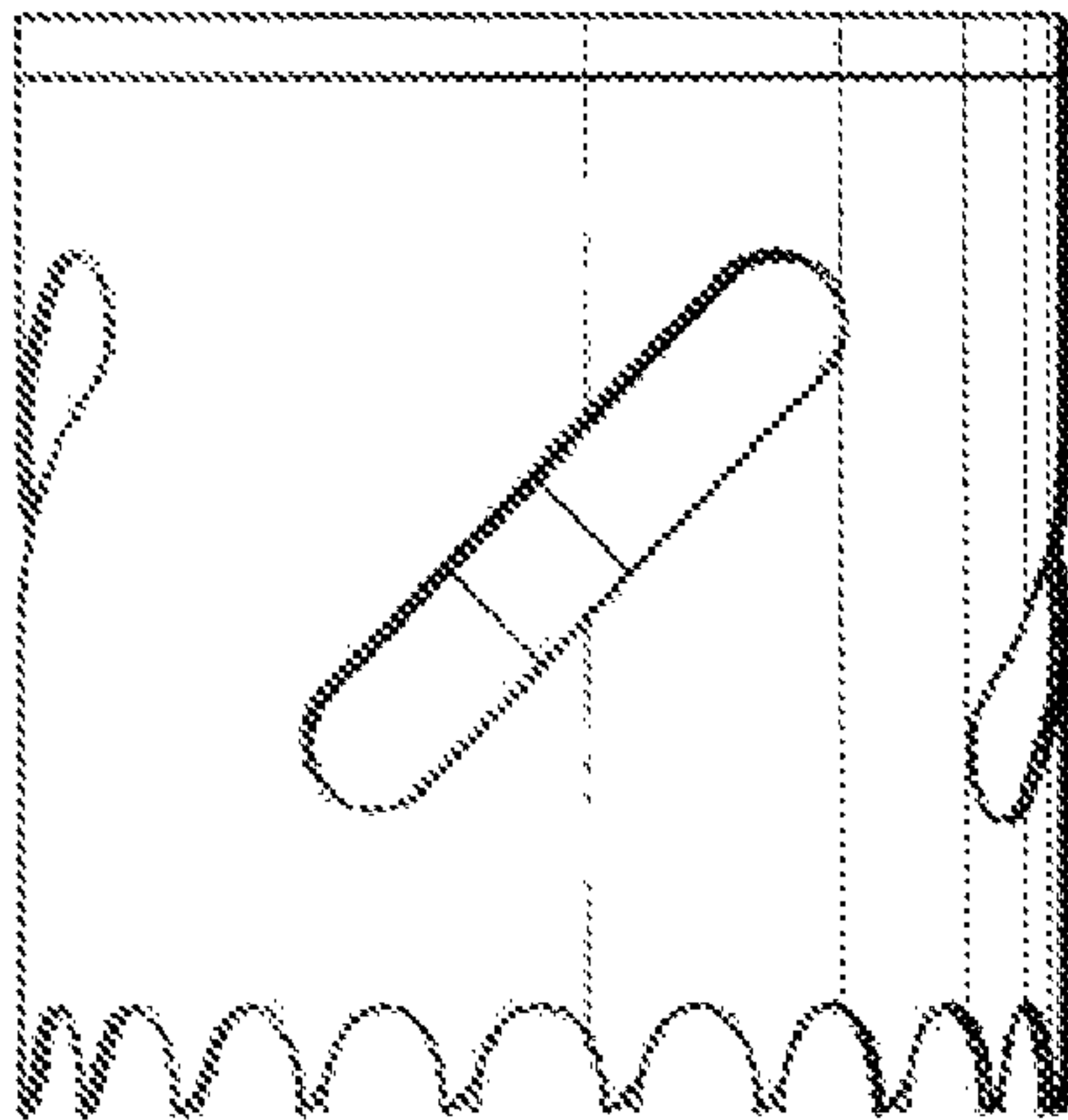


FIG. 3

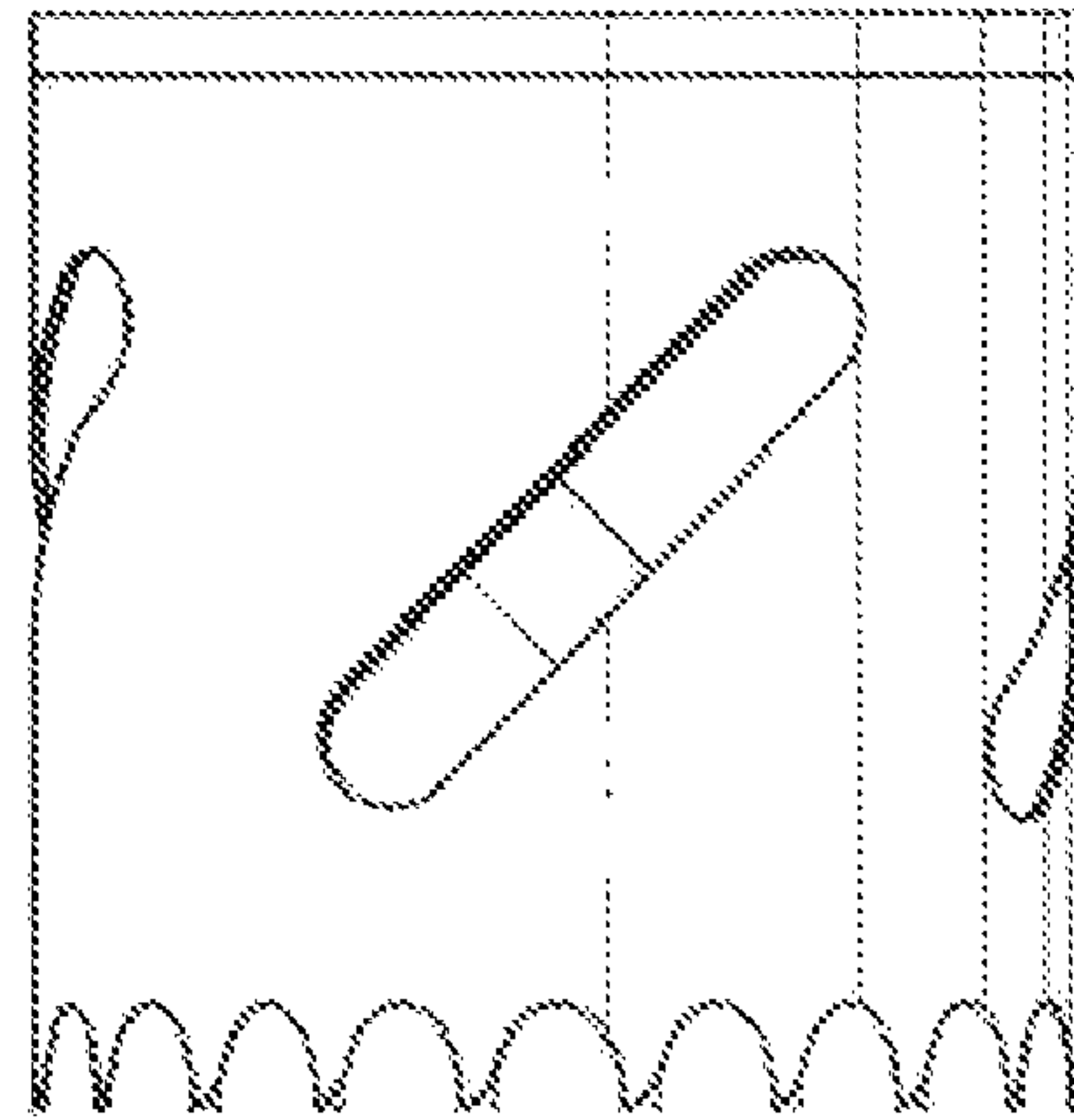


FIG. 4

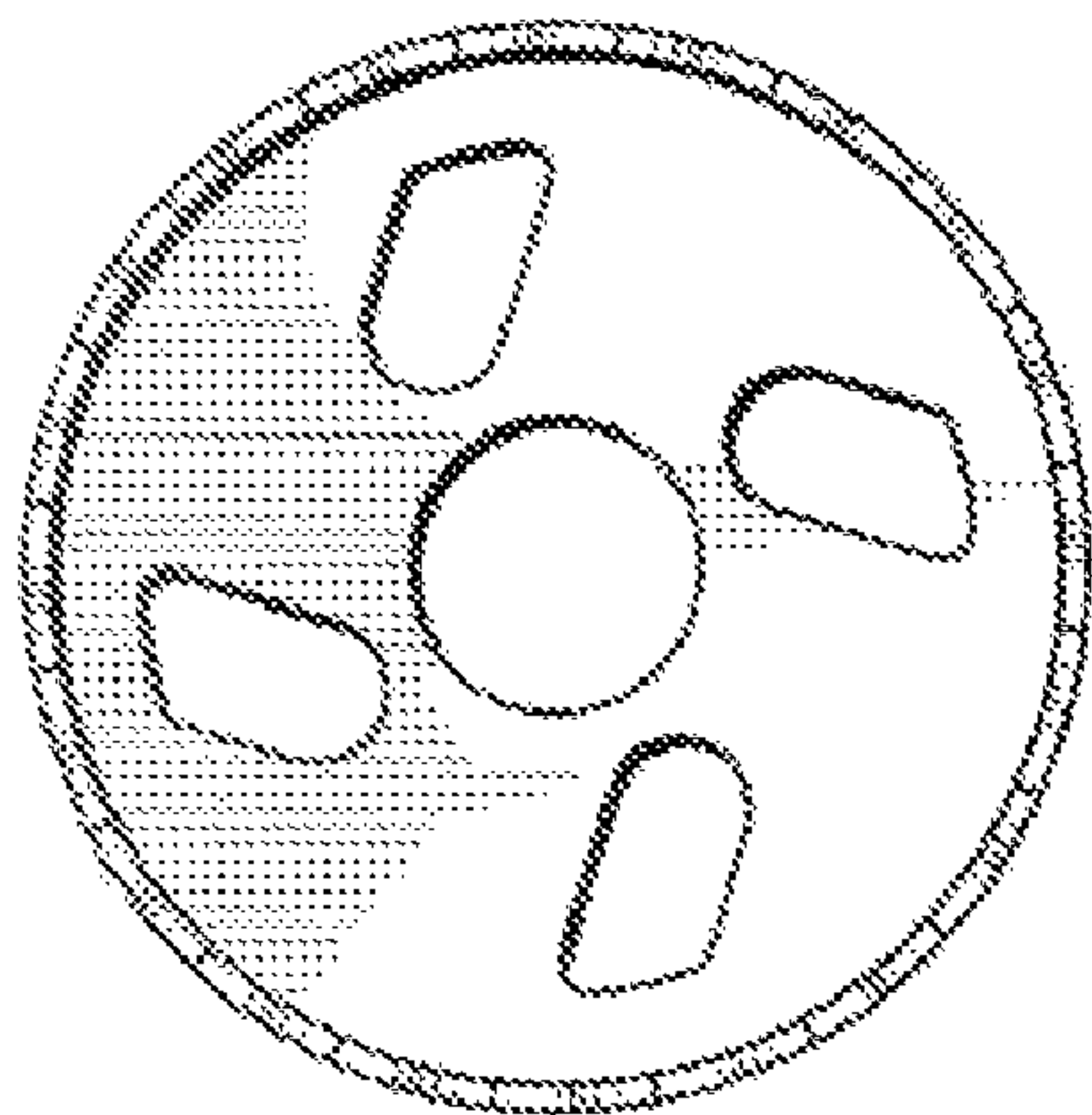


FIG. 5