



US00D588174S

(12) **United States Design Patent**
Young

(10) **Patent No.:** **US D588,174 S**
(45) **Date of Patent:** **** Mar. 10, 2009**

(54) **HAMMERMILL HAMMER**
(75) Inventor: **Roger T. Young**, Davenport, IA (US)
(73) Assignee: **Genesis III, Inc.**, Prophetstown, IL (US)
(**) Term: **14 Years**

(21) Appl. No.: **29/289,916**
(22) Filed: **Aug. 7, 2007**

(51) **LOC (9) Cl.** **15-09**
(52) **U.S. Cl.** **D15/123**
(58) **Field of Classification Search** D15/123,
D15/124; 241/73, 74, 189.1, 193-197, 294,
241/300

See application file for complete search history.

(56) **References Cited**

U.S. PATENT DOCUMENTS

1,940,116	A *	12/1933	Brooks	241/197
2,015,581	A *	9/1935	Armour	241/195
2,716,526	A *	8/1955	Baker	241/197
2,721,707	A *	10/1955	Brown	241/197
3,104,838	A *	9/1963	Smith, Jr.	241/197
3,549,095	A *	12/1970	Ratkowski	241/197
D536,351	S *	2/2007	Young	D15/123

D536,352	S *	2/2007	Young	D15/123
D544,503	S *	6/2007	Young	D15/123
D544,504	S *	6/2007	Young	D15/123
D551,267	S *	9/2007	Young	D15/123
D552,639	S *	10/2007	Young	D15/123
2007/0023554	A1 *	2/2007	Young	241/197

* cited by examiner

Primary Examiner—Sandra Snapp
Assistant Examiner—Patricia Palasik
(74) *Attorney, Agent, or Firm*—Hamilton IP law, PC.; Jay R. Hamilton; Charles A. Damschen

(57) **CLAIM**

I claim the ornamental design for a hammermill hammer, as shown and described.

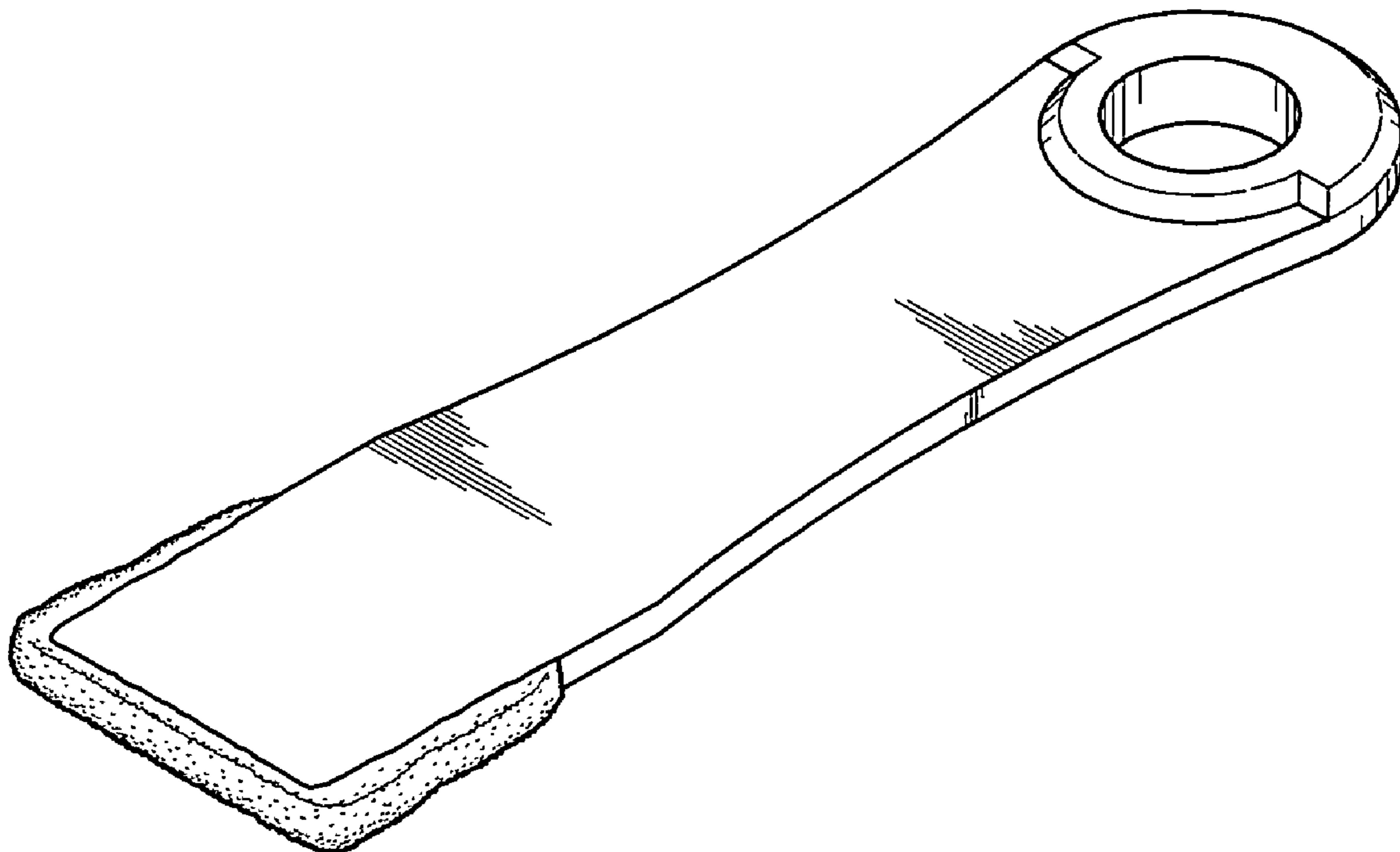
DESCRIPTION

FIG. 1 is a perspective view of a hammermill hammer according to an embodiment of the invention.

FIG. 2 is a top view of a hammermill hammer according to an embodiment of the invention; and,

FIG. 3 is a side view of a hammermill hammer according to an embodiment of the invention.

1 Claim, 2 Drawing Sheets



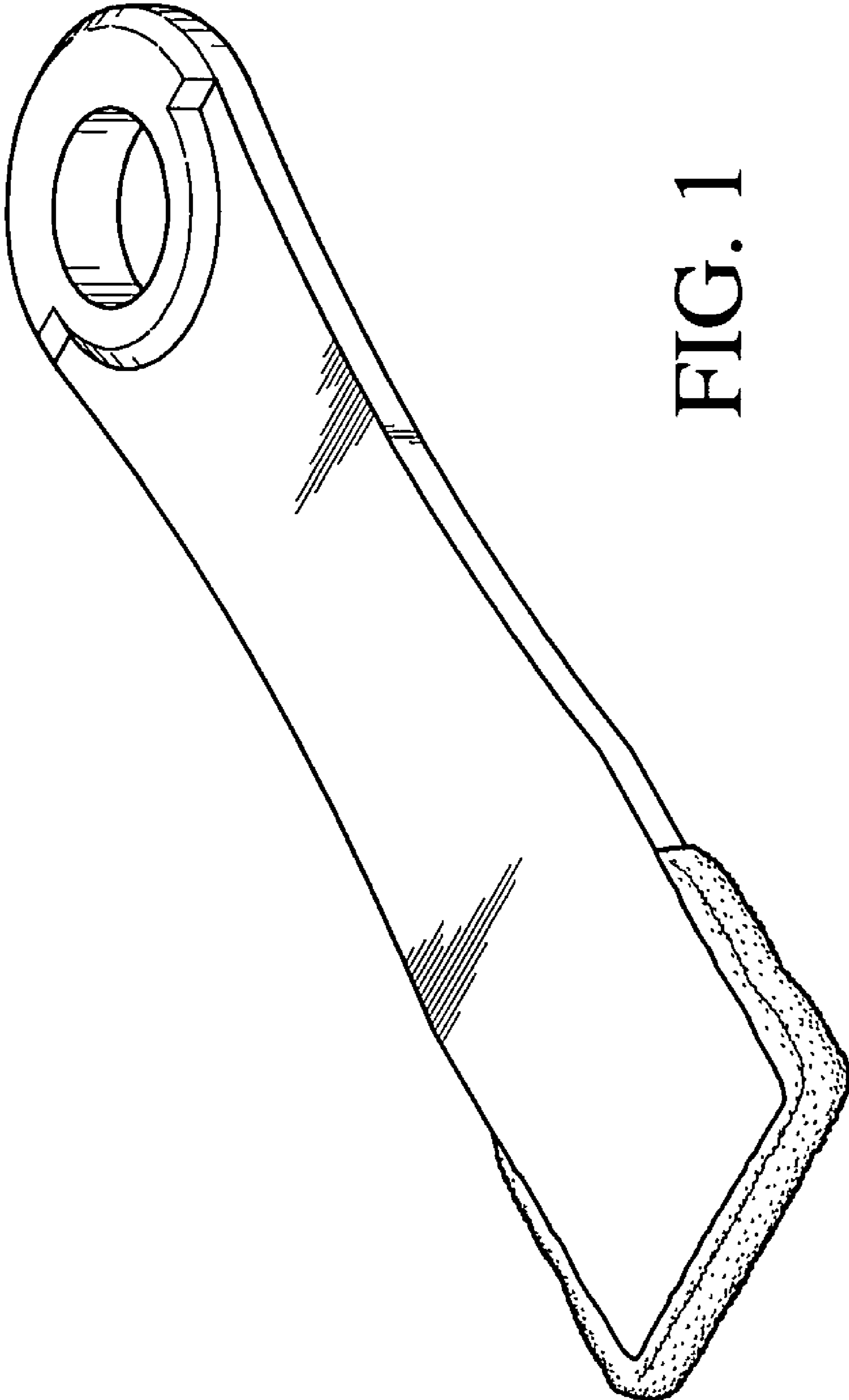


FIG. 1

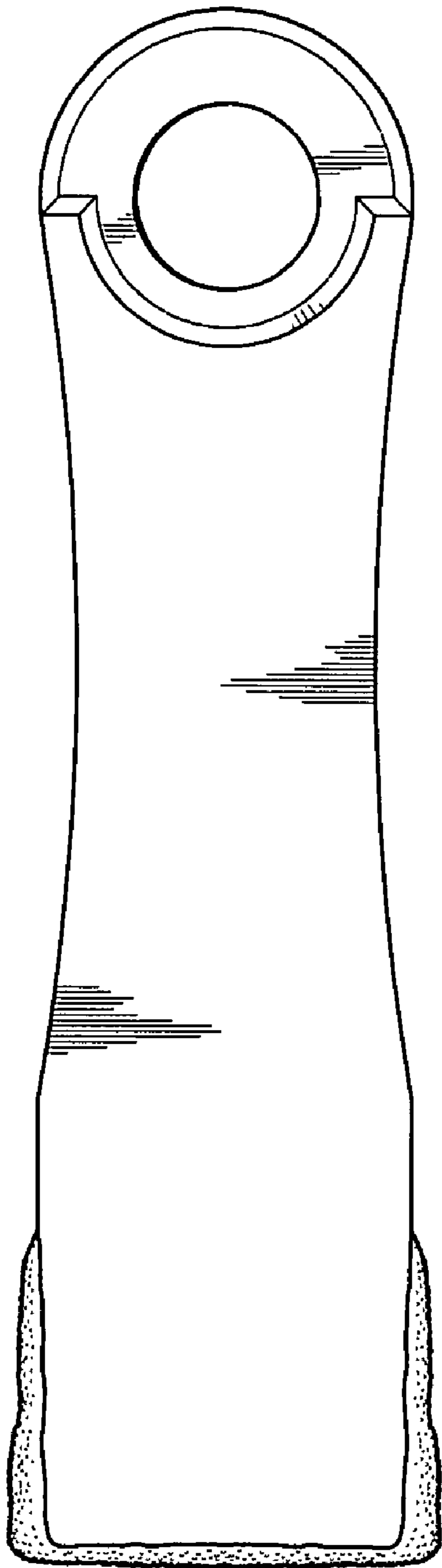


FIG. 2



FIG. 3