



US00D588170S

(12) **United States Design Patent**
Kumano

(10) **Patent No.:** **US D588,170 S**
(45) **Date of Patent:** **** Mar. 10, 2009**

- (54) **CRAWLER SHOE**
- (75) Inventor: **Yoichi Kumano**, Tokyo (JP)
- (73) Assignee: **Bridgestone Corporation**, Tokyo (JP)
- (**) Term: **14 Years**
- (21) Appl. No.: **29/319,811**
- (22) Filed: **Jun. 16, 2008**

- (51) **LOC (9) Cl.** **15-03**
 - (52) **U.S. Cl.** **D15/28**
 - (58) **Field of Classification Search** D15/22-26,
D15/28; D21/537, 431, 495; 180/89.12,
180/9.1, 900; 152/209.12, 108, 88, 171-173,
152/165, 178; 305/40, 53, 44, 46, 160, 50,
305/167, 196, 198, 162, 169, 177, 185, 193,
305/200-202, 171, 195
- See application file for complete search history.

(56) **References Cited**

U.S. PATENT DOCUMENTS

- D217,242 S * 4/1970 Comellas D15/28
- 3,944,296 A * 3/1976 Stampone 305/189
- 4,588,233 A * 5/1986 DenBesten 305/51
- 4,844,561 A * 7/1989 Savage et al. 305/160
- 4,880,283 A * 11/1989 Savage et al. 305/160
- D365,826 S * 1/1996 Chandler D15/28
- D365,827 S * 1/1996 Chandler D15/28
- 5,630,657 A * 5/1997 Kumano et al. 305/46
- RE36,025 E * 1/1999 Suzuki 305/187
- 5,913,579 A * 6/1999 Kumano et al. 305/46
- 6,299,265 B1 * 10/2001 Hoffart 305/187

- 6,533,371 B2 * 3/2003 Hori et al. 305/191
- 6,820,948 B2 * 11/2004 Katoh 305/188
- D576,181 S * 9/2008 Busley D15/28
- 2001/0009336 A1 * 7/2001 Hori 305/189
- 2008/0185911 A1 * 8/2008 Rutz et al. 305/136

FOREIGN PATENT DOCUMENTS

JP D1709195 S 7/2000

OTHER PUBLICATIONS

Japanese Office Action dated Oct. 8, 2008 (2 pages).

* cited by examiner

Primary Examiner—Prabhakar Deshmukh

Assistant Examiner—Mark A Goodwin

(74) *Attorney, Agent, or Firm*—Sughrue Mion, PLLC

(57) **CLAIM**

The ornamental design for a crawler shoe, as shown and described.

DESCRIPTION

FIG. 1 is a front perspective view of a crawler shoe showing my new design.

FIG. 2 is a front elevation thereof.

FIG. 3 is a rear elevation view thereof.

FIG. 4 is a top plan view thereof.

FIG. 5 is a right side elevation view thereof; and,

FIG. 6 is a left side elevation view thereof.

The portion of the article shown in broken lines is for illustrative purposes only and forms no part of the claimed design.

1 Claim, 6 Drawing Sheets

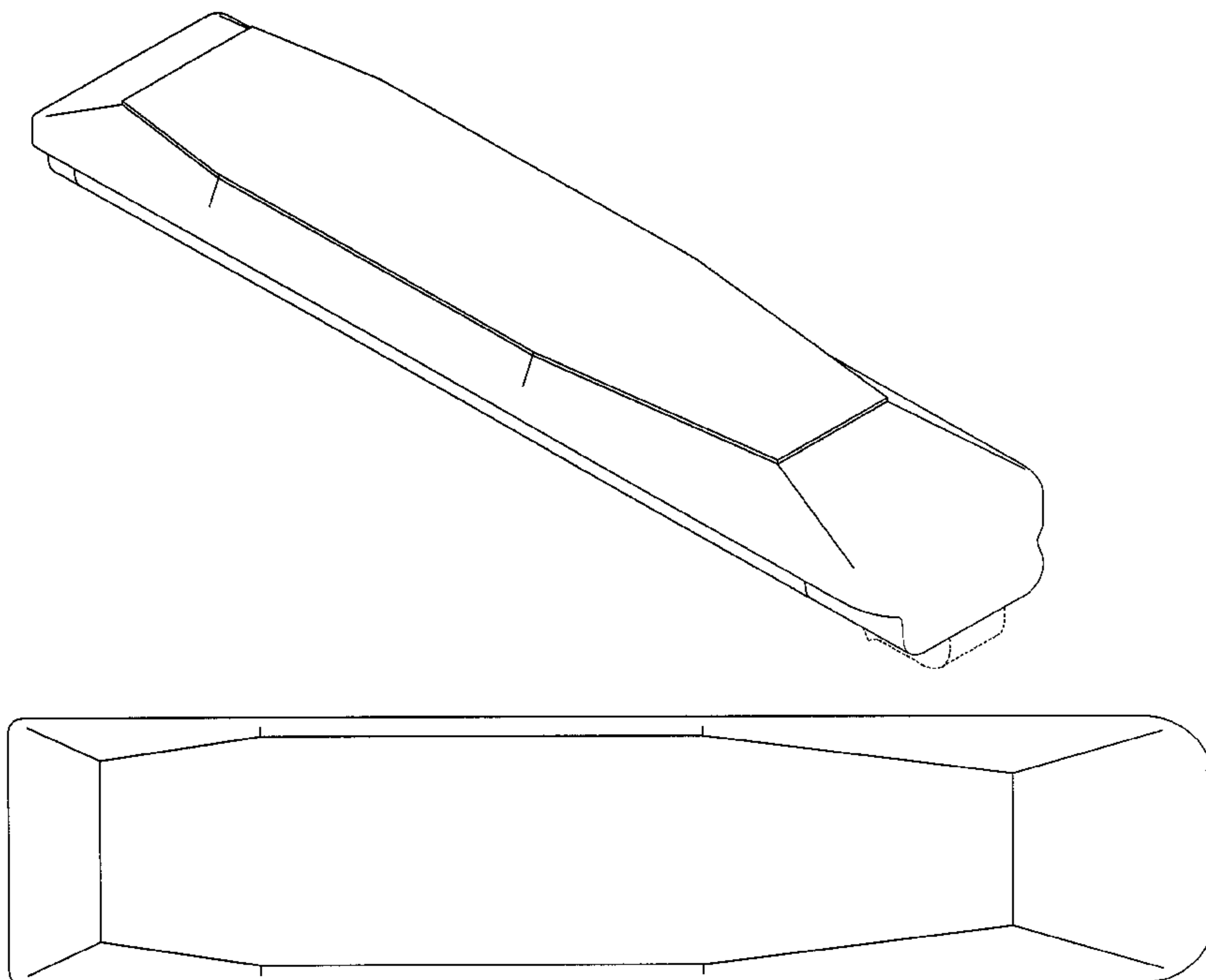


FIG. 1

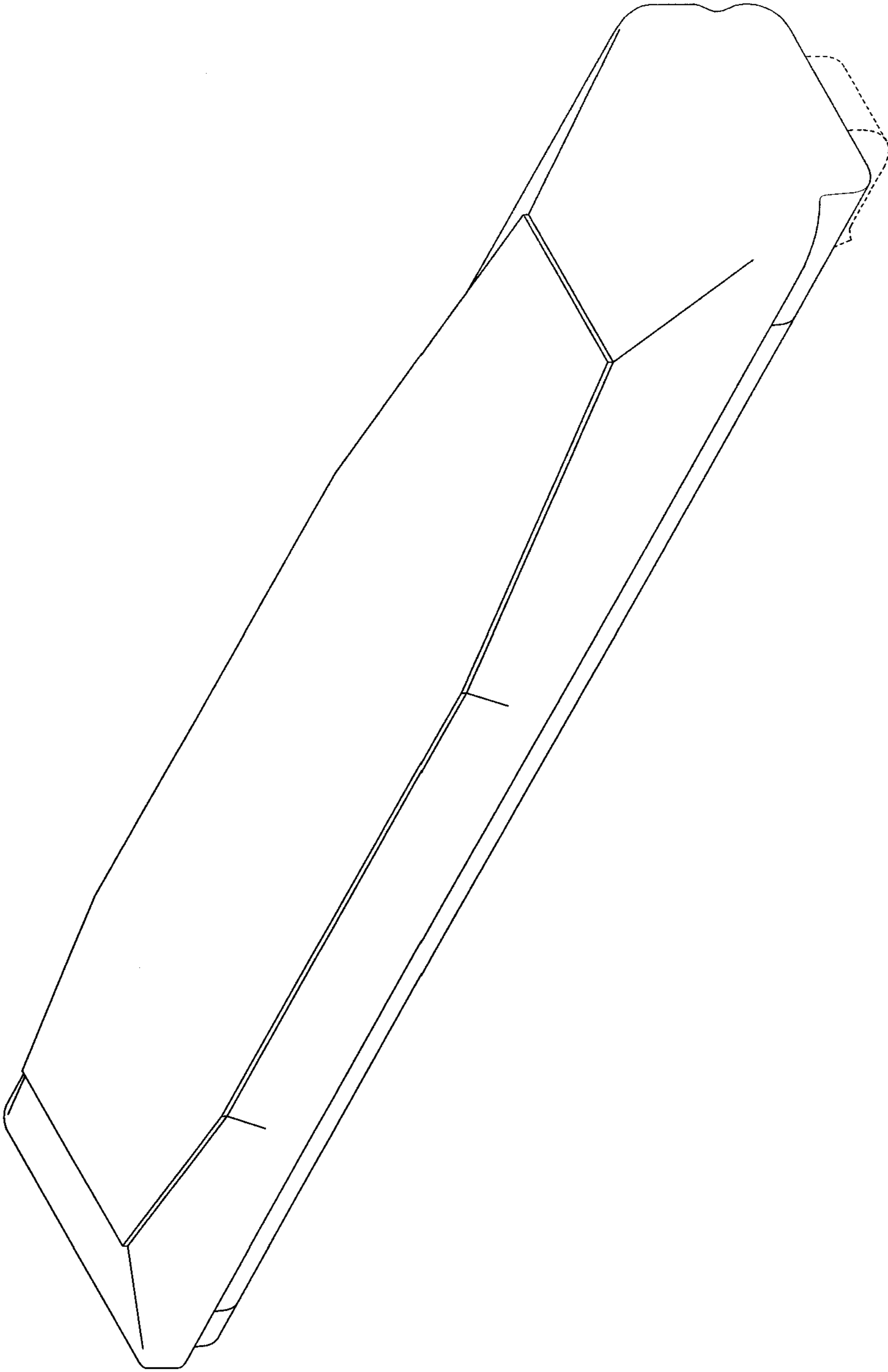


FIG. 2

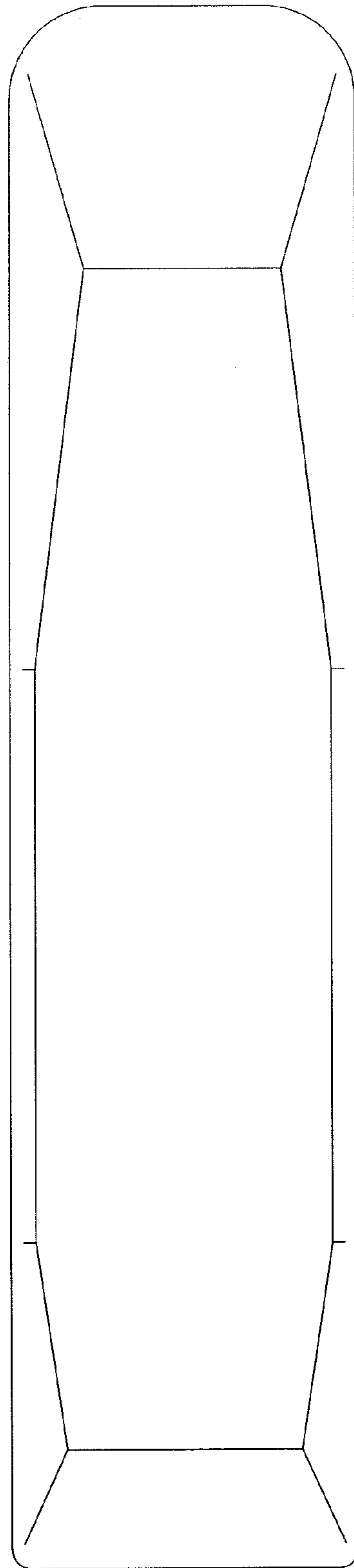


FIG. 3

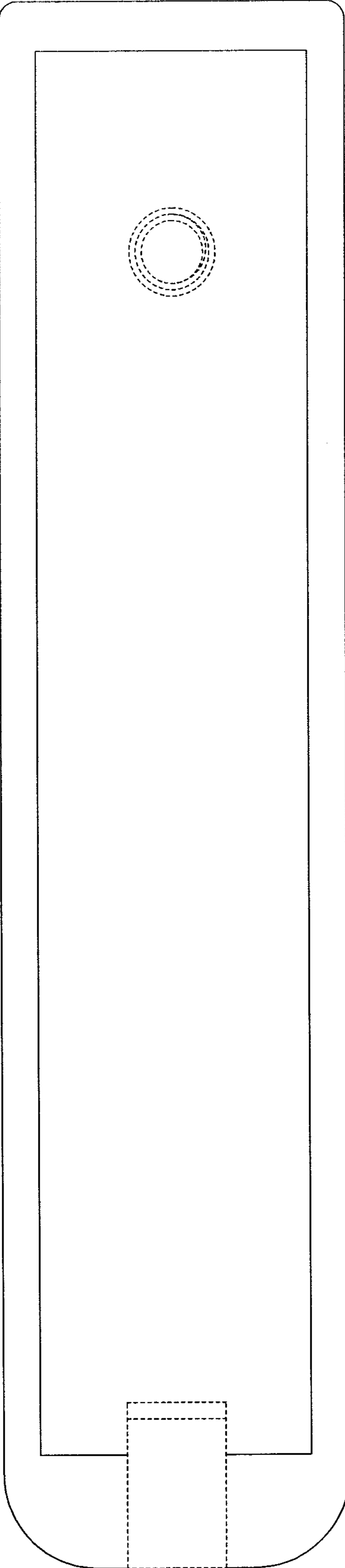


FIG. 4

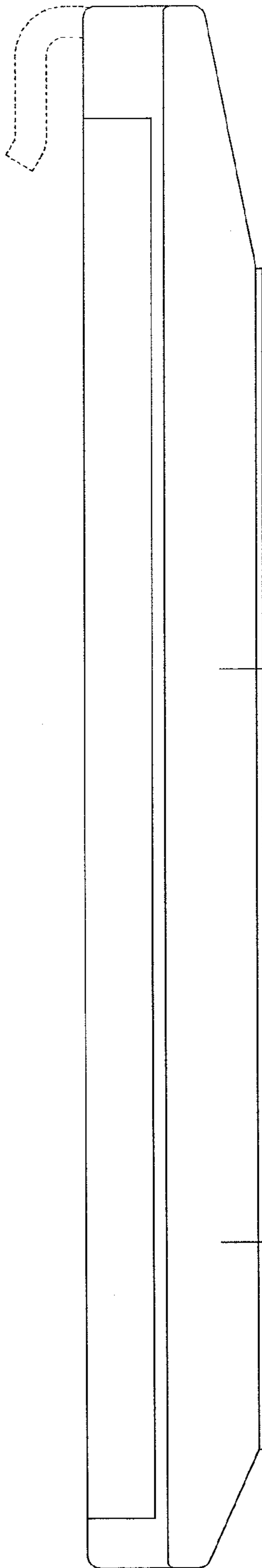


FIG. 5

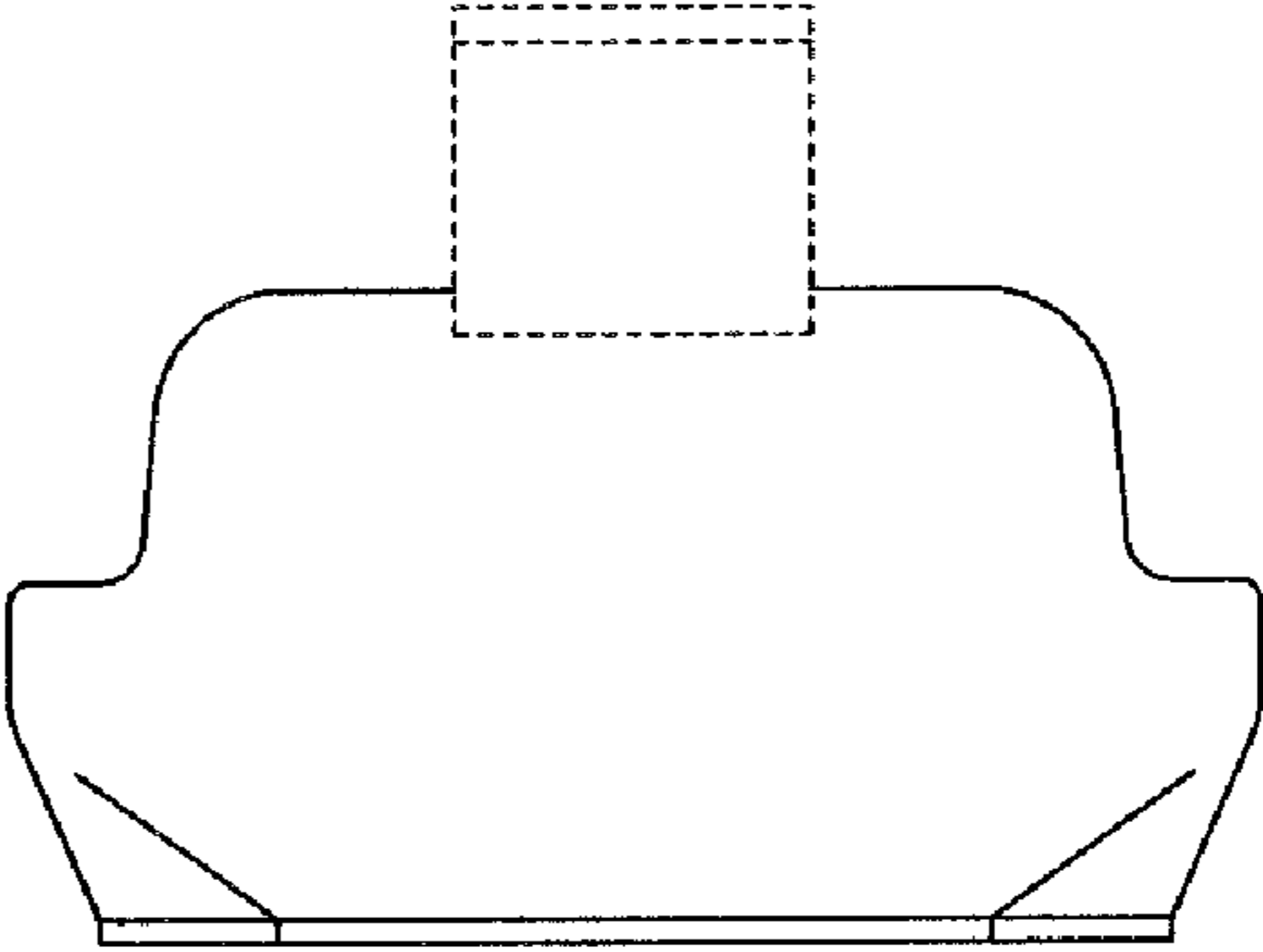
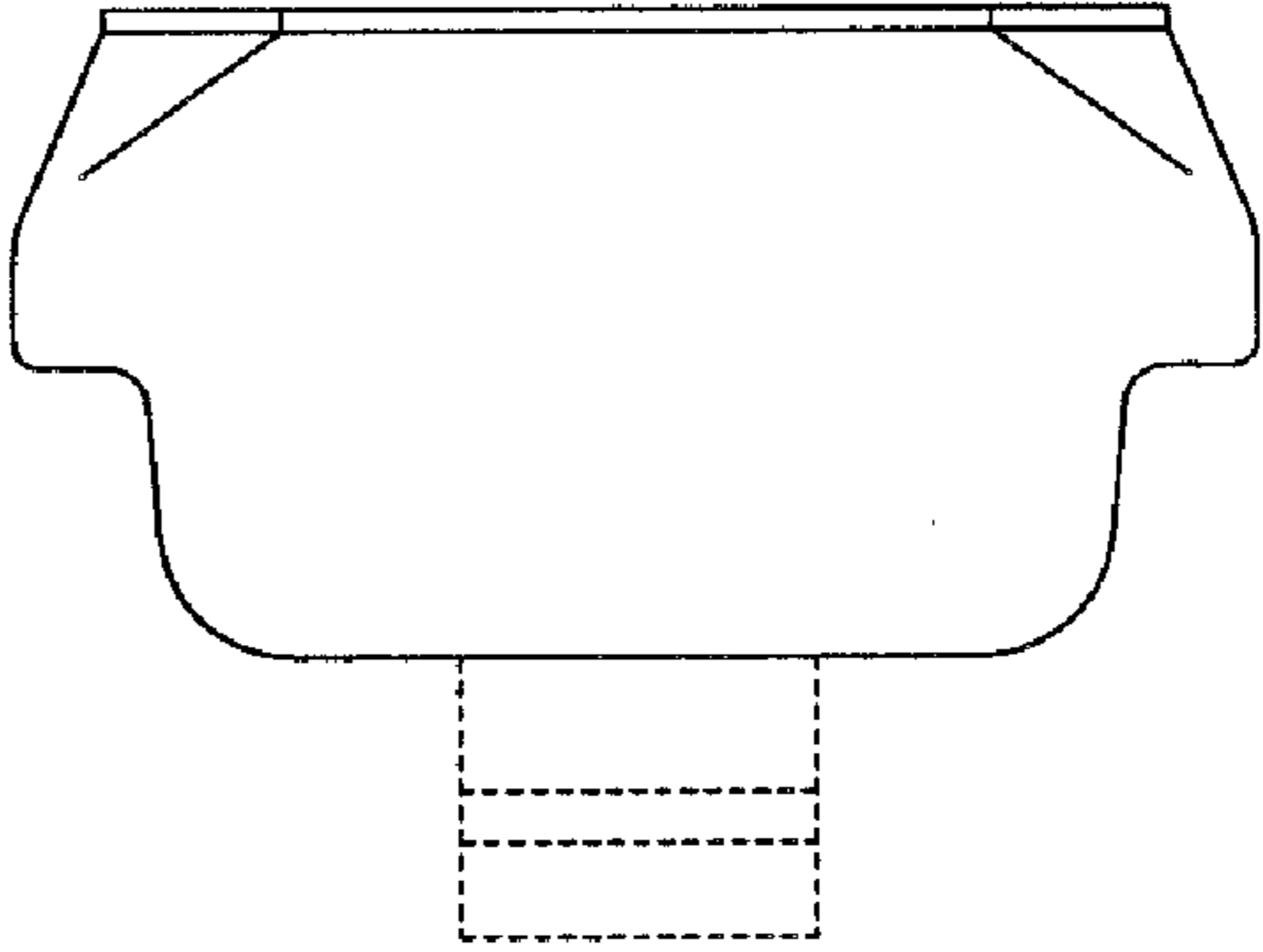


FIG. 6



UNITED STATES PATENT AND TRADEMARK OFFICE
CERTIFICATE OF CORRECTION

PATENT NO. : Des. 588,170 S
APPLICATION NO. : 29/319811
DATED : March 10, 2009
INVENTOR(S) : Yoichi Kumano

Page 1 of 1

It is certified that error appears in the above-identified patent and that said Letters Patent is hereby corrected as shown below:

On the Title Page Item (56) should read

FOREIGN PATENT DOCUMENTS:

~~D1709195S~~ D1079195S

Signed and Sealed this

Twentieth Day of October, 2009



David J. Kappos
Director of the United States Patent and Trademark Office