



US00D588169S

(12) **United States Design Patent**
Hagio

(10) **Patent No.:** **US D588,169 S**
(45) **Date of Patent:** **** Mar. 10, 2009**

(54) **RUBBER CRAWLER**

(75) Inventor: **Daisuke Hagio**, Chuo-ku (JP)

(73) Assignee: **Bridgestone Corporation**, Tokyo (JP)

(**) Term: **14 Years**

(21) Appl. No.: **29/319,507**

(22) Filed: **Jun. 10, 2008**

(51) **LOC (9) Cl.** **15-03**

(52) **U.S. Cl.** **D15/28**

(58) **Field of Classification Search** D15/22-26,
D15/28; D21/537, 431, 495; 180/89.12,
180/9.1, 900; 152/209.12, 108, 88, 171-173,
152/165, 178; 305/40, 53, 44, 46, 160, 50,
305/167, 196, 198, 162, 169, 177, 185, 193,
305/200-202, 171, 195

See application file for complete search history.

(56) **References Cited**

U.S. PATENT DOCUMENTS

D230,417 S *	2/1974	Chaumont	D15/28
D233,320 S *	10/1974	Svensson	D15/28
D243,517 S *	3/1977	Belanger	D12/7
D454,890 S *	3/2002	Tsuru	D15/28
6,505,896 B1 *	1/2003	Boivin et al.	305/178
D471,566 S *	3/2003	Feldmann	D15/28
D484,515 S *	12/2003	Nishimura	D15/28
D496,051 S *	9/2004	Yoshida	D15/28
6,824,229 B1 *	11/2004	Delisle	305/157
D514,133 S *	1/2006	Fujita	D15/28
D543,218 S *	5/2007	Yoshida	D15/28
D549,741 S *	8/2007	Tateishi	D15/28

D557,713 S *	12/2007	Sugihara	D15/28
D561,786 S *	2/2008	Tateishi	D15/28
D562,353 S *	2/2008	Sugihara	D15/28
D565,605 S *	4/2008	Tateishi	D15/28
D567,823 S *	4/2008	Hagio	D15/28
D575,805 S *	8/2008	Sugihara	D15/28
2004/0135433 A1 *	7/2004	Inaoka et al.	305/157
2005/0173983 A1 *	8/2005	Nishimura	305/157
2007/0252433 A1 *	11/2007	Fujita	305/46
2008/0007118 A1 *	1/2008	Fujita	305/170
2008/0129111 A1 *	6/2008	Pringiers	305/171

* cited by examiner

Primary Examiner—Prabhakar Deshmukh

Assistant Examiner—Mark A Goodwin

(74) *Attorney, Agent, or Firm*—Sughrue Mion, PLLC

(57) **CLAIM**

The ornamental design for a rubber crawler, as shown and described.

DESCRIPTION

FIG. 1 is a rear perspective view of a rubber crawler showing my new design.

FIG. 2 is a rear elevation view thereof.

FIG. 3 is a front elevation view thereof.

FIG. 4 is a top plan view thereof; and,

FIG. 5 is a left side elevation view thereof.

The portion of the article shown in broken lines is for illustrative purposes only and forms no part of the claimed design.

The dashed-dotted-lines represent the boundaries of the claimed design and form no part thereof.

1 Claim, 5 Drawing Sheets

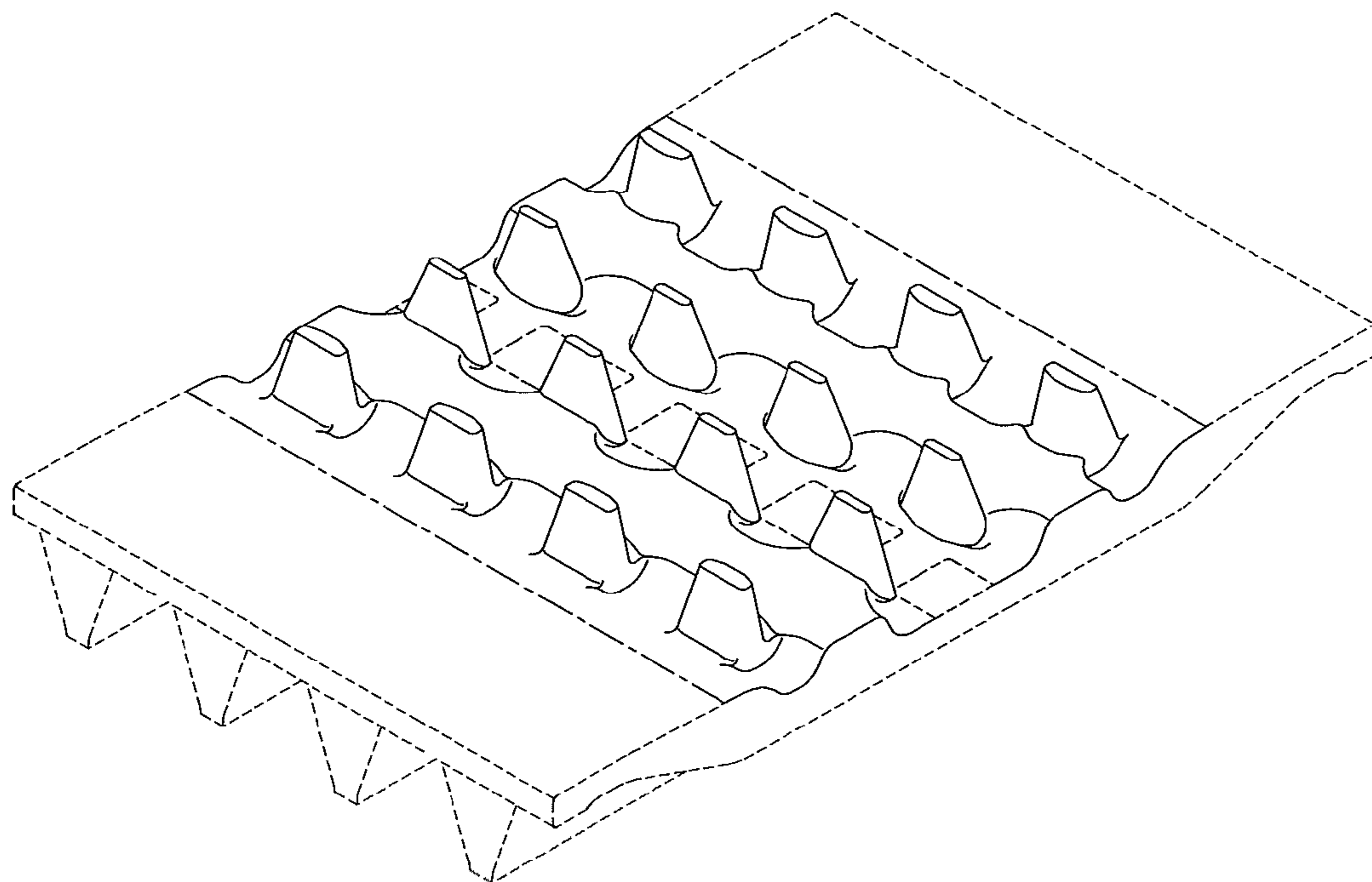


FIG. 1

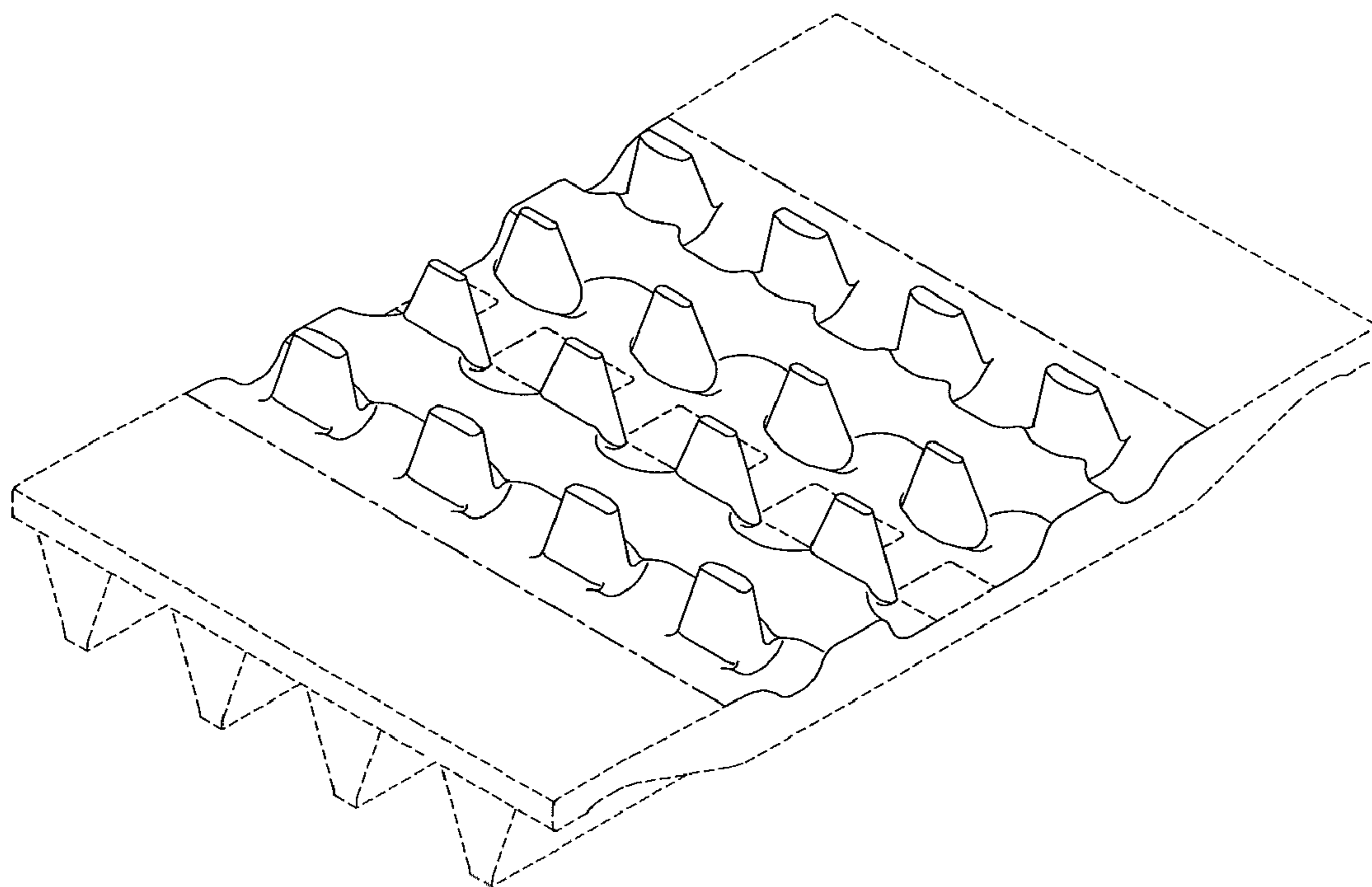


FIG. 2

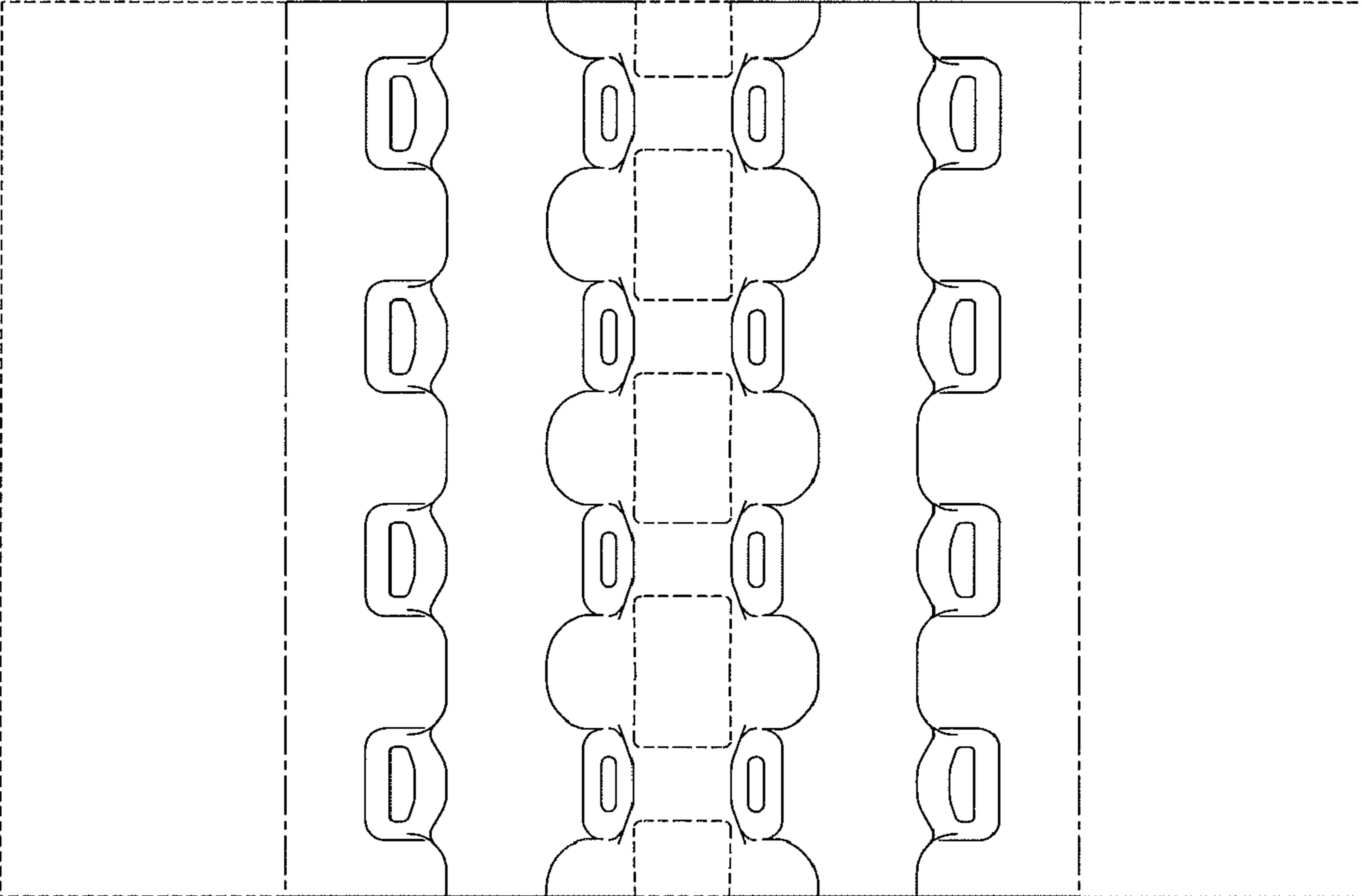


FIG. 3

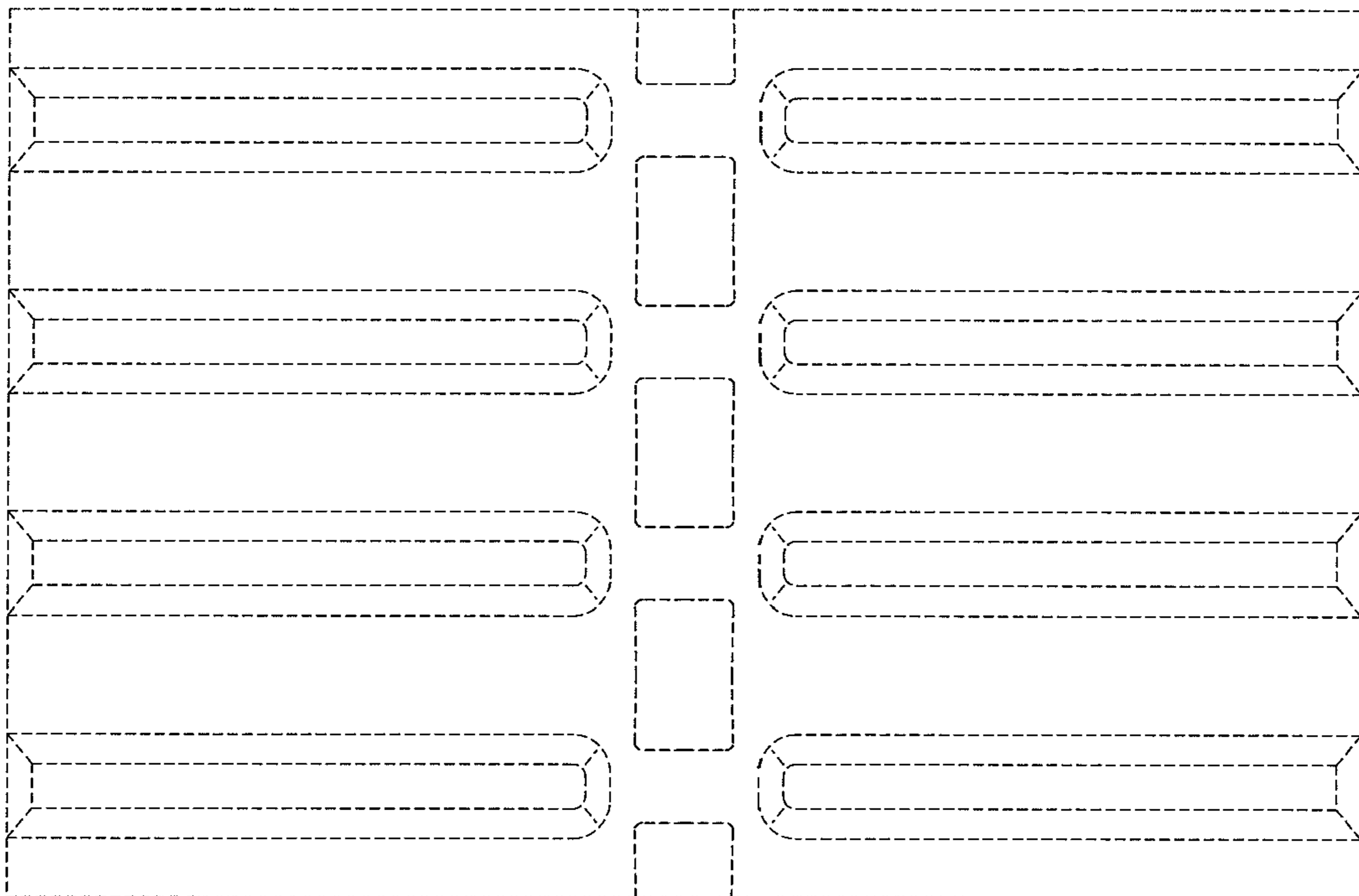


FIG. 4

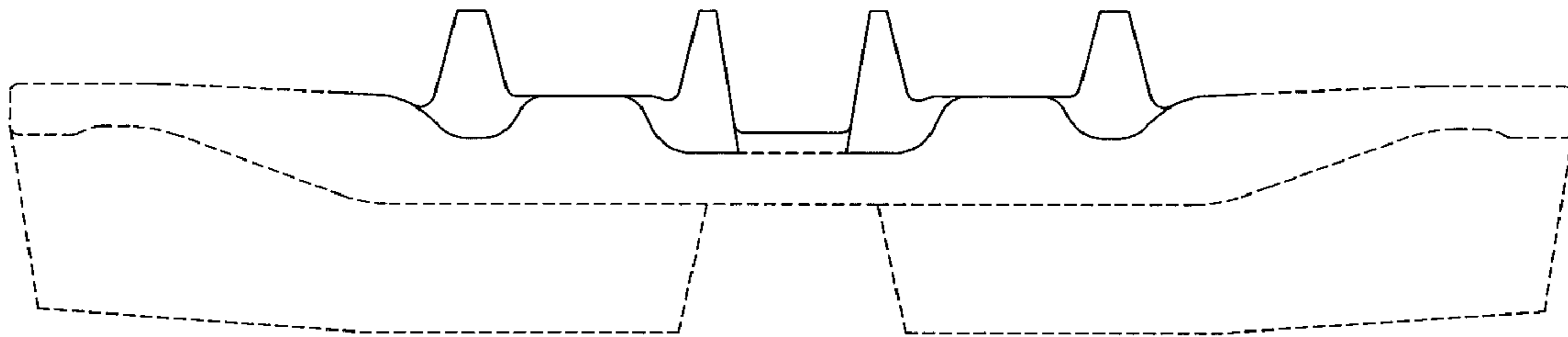


FIG. 5

