



US00D588168S

(12) **United States Design Patent**  
**Shimozono**

(10) **Patent No.:** **US D588,168 S**  
(45) **Date of Patent:** **\*\* Mar. 10, 2009**

(54) **METALLIC CORE OF RUBBER CRAWLER**

(75) Inventor: **Nobuo Shimozono**, Chuo-ku (JP)

(73) Assignee: **Bridgestone Corporation**, Tokyo (JP)

(\*\*) Term: **14 Years**

(21) Appl. No.: **29/319,500**

(22) Filed: **Jun. 10, 2008**

(51) **LOC (9) Cl.** ..... **15-03**

(52) **U.S. Cl.** ..... **D15/28**

(58) **Field of Classification Search** ..... D15/28,  
D15/22-26; 305/170-177, 159, 187, 189,  
305/167, 165, 51, 111, 46, 198, 53, 204,  
305/193

See application file for complete search history.

(56) **References Cited**

**U.S. PATENT DOCUMENTS**

D231,385	S *	4/1974	Plastino	.....	D15/28
4,678,244	A *	7/1987	Furuta et al.	.....	305/175
4,904,030	A *	2/1990	Ono	.....	305/174
5,131,728	A *	7/1992	Katoh et al.	.....	305/174
5,308,155	A *	5/1994	Katoh	.....	305/174
5,380,076	A *	1/1995	Hori	.....	305/171
5,399,003	A *	3/1995	Katoh	.....	305/171
5,403,643	A *	4/1995	Tsuru	.....	428/120
5,522,654	A *	6/1996	Katoh	.....	305/174
5,522,655	A *	6/1996	Katoh	.....	305/174
5,813,733	A *	9/1998	Hori et al.	.....	305/172
5,997,110	A *	12/1999	Katoh et al.	.....	305/169
6,106,083	A *	8/2000	Ono	.....	305/171
6,588,862	B1 *	7/2003	Pringiers	.....	305/167
D484,149	S *	12/2003	Hannan et al.	.....	D15/28
6,709,077	B2 *	3/2004	Watanabe et al.	.....	305/177
6,805,416	B2 *	10/2004	Ueno	.....	305/177

6,832,820	B2 *	12/2004	Watanabe et al.	.....	305/177
7,131,709	B2 *	11/2006	Ueno	.....	305/177
7,293,844	B2 *	11/2007	Uchiyama	.....	305/166
D557,713	S *	12/2007	Sugihara	.....	D15/28
D561,786	S *	2/2008	Tateishi	.....	D15/28
D562,353	S *	2/2008	Sugihara	.....	D15/28
7,413,268	B2 *	8/2008	Kato et al.	.....	305/172
2003/0025391	A1 *	2/2003	Ueno	.....	305/157
2004/0075340	A1 *	4/2004	Watanabe et al.	.....	305/177
2005/0001482	A1 *	1/2005	Ueno	.....	305/177
2005/0218722	A1 *	10/2005	Kurokawa	.....	305/171
2006/0061212	A1 *	3/2006	Uchiyama	.....	305/167
2006/0163944	A1 *	7/2006	Tsuru et al.	.....	305/165
2006/0279138	A1 *	12/2006	Kato et al.	.....	305/177
2008/0129111	A1 *	6/2008	Pringiers	.....	305/171

\* cited by examiner

*Primary Examiner*—Stella M Reid

*Assistant Examiner*—Mark A Goodwin

(74) *Attorney, Agent, or Firm*—Sughrue Mion, PLLC

(57) **CLAIM**

The ornamental design for a metallic core of rubber crawler, as shown and described.

**DESCRIPTION**

FIG. 1 is a perspective view of a metallic core of rubber crawler.

FIG. 2 is a front elevation view thereof.

FIG. 3 is a rear elevation view thereof.

FIG. 4 is a top plan view thereof.

FIG. 5 is a bottom plan view thereof.

FIG. 6 is a right side elevation view thereof; and,

FIG. 7 is a left side elevation view thereof.

**1 Claim, 7 Drawing Sheets**

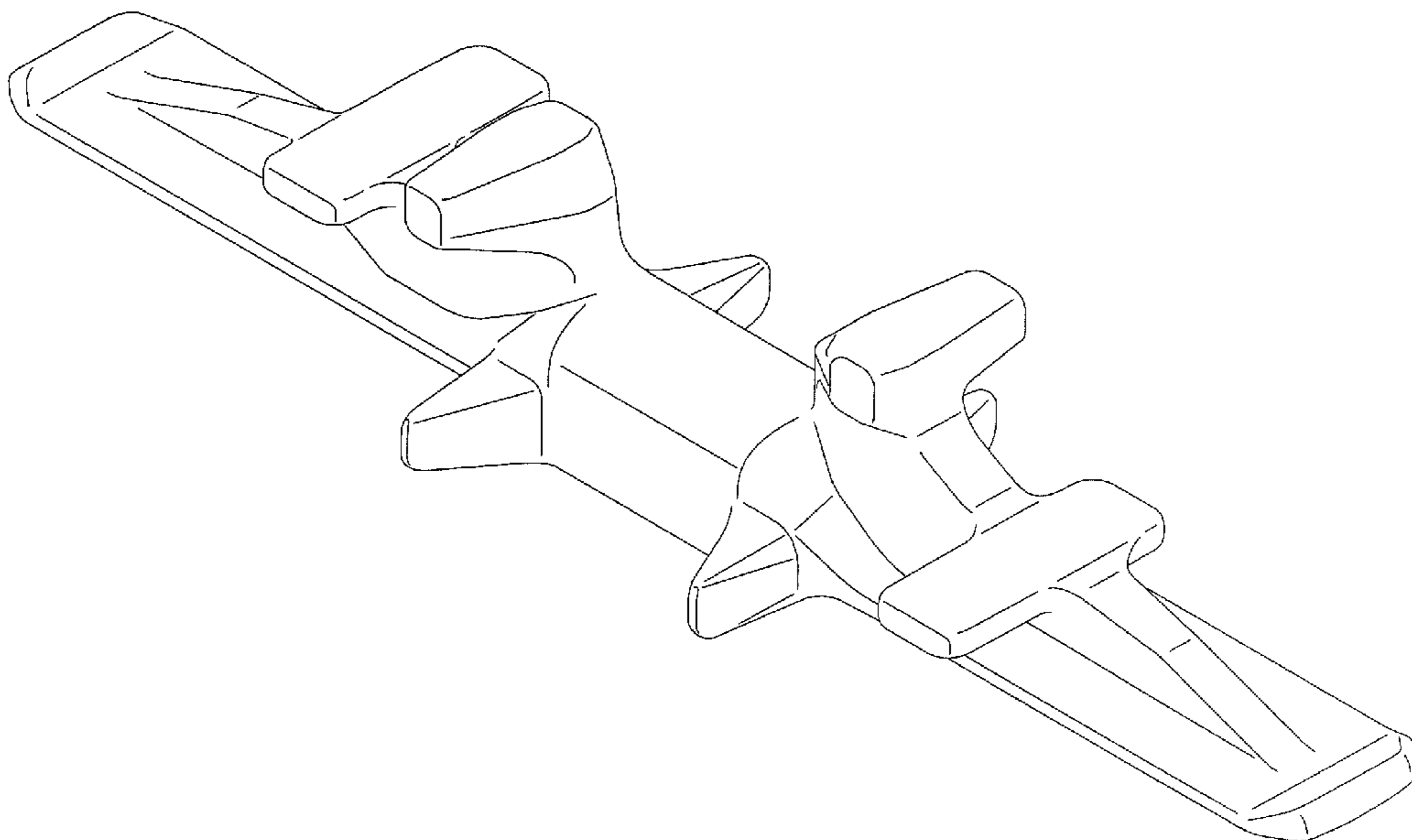


FIG. 1

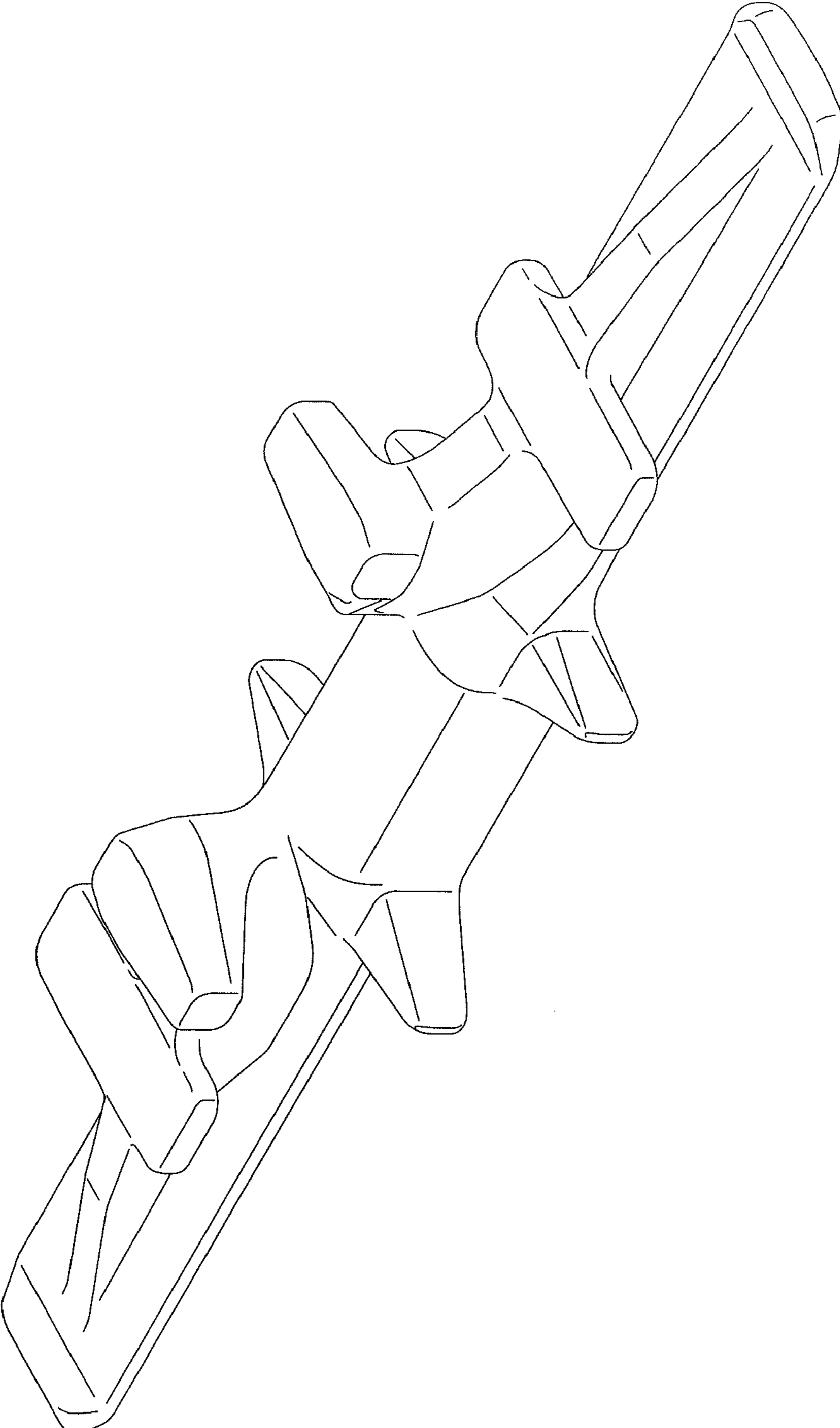


FIG. 2

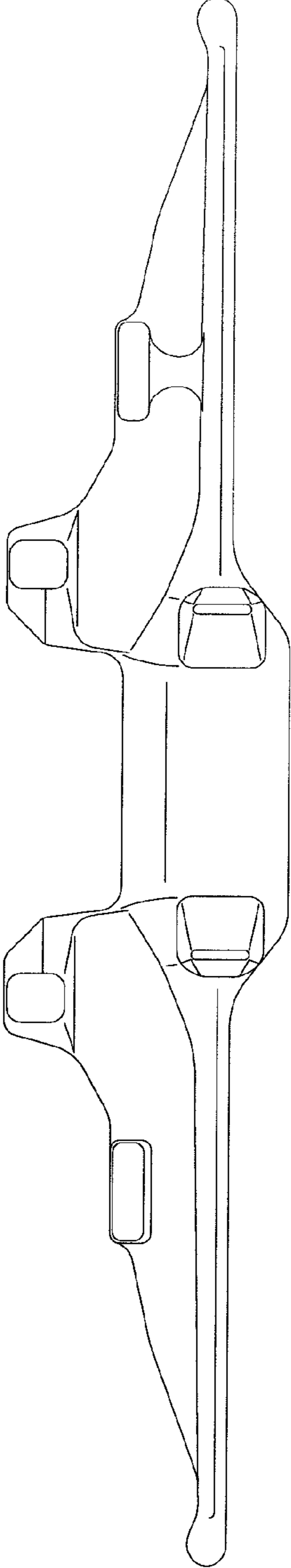


FIG. 3

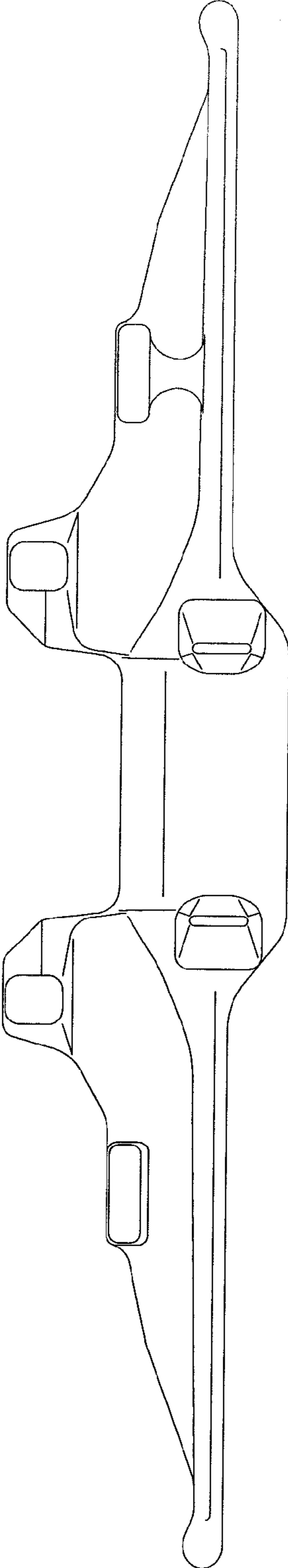


FIG. 4

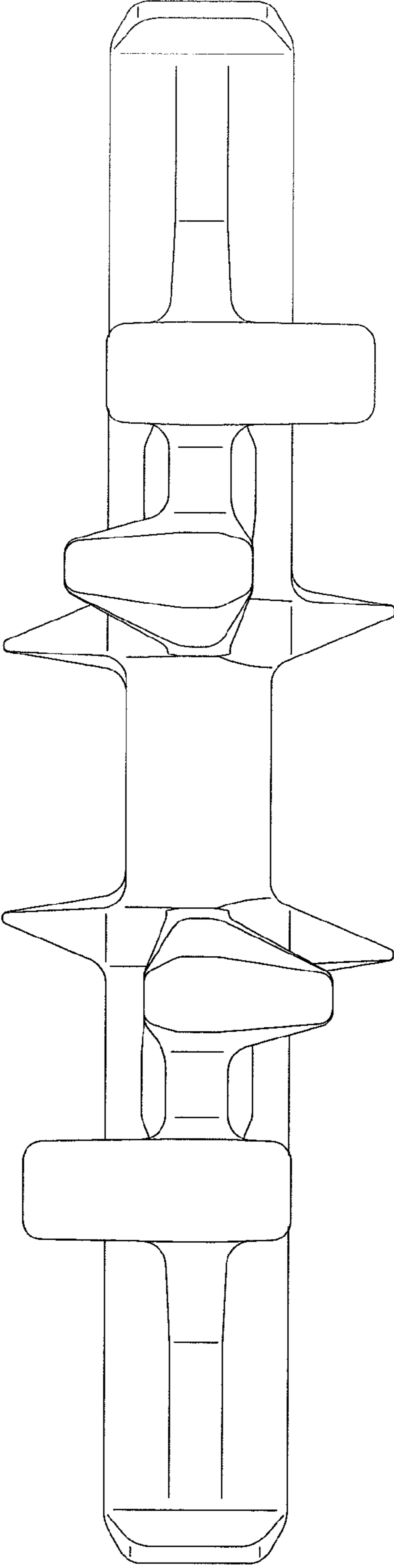


FIG. 5

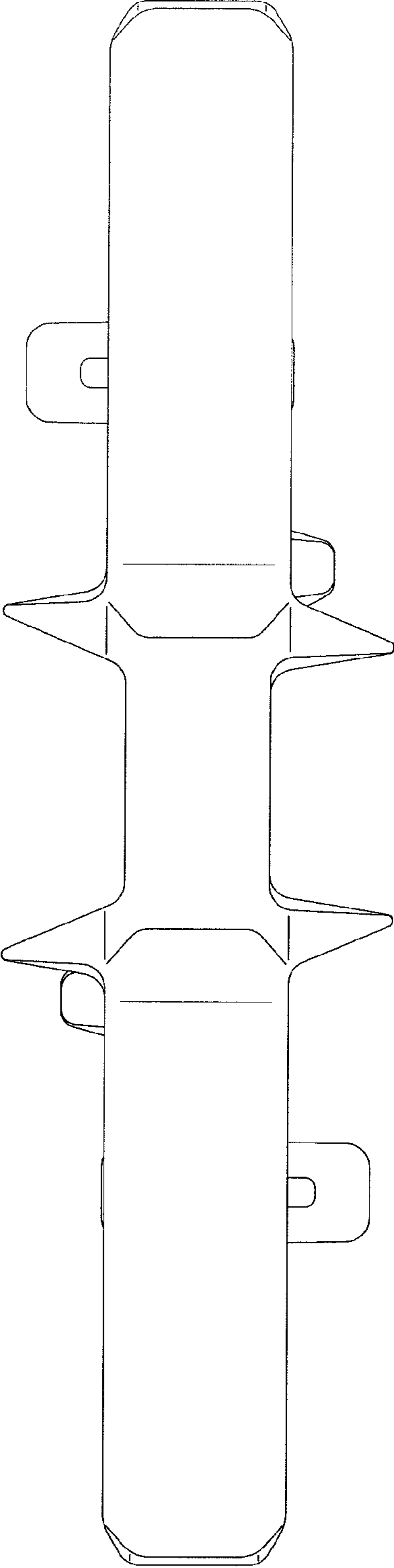


FIG. 6

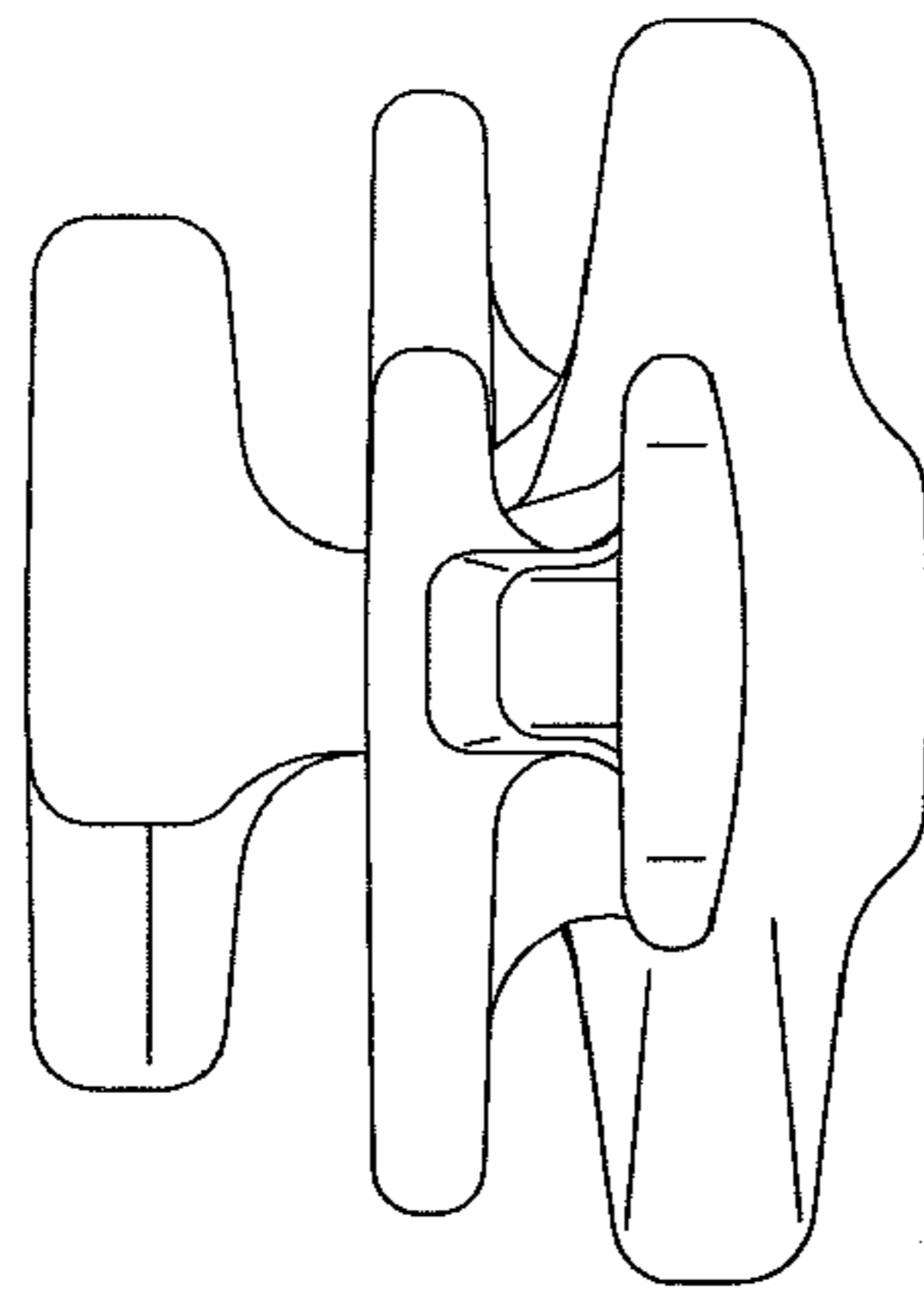


FIG. 7

