



US00D588165S

(12) **United States Design Patent**
Steinfels et al.

(10) **Patent No.:** **US D588,165 S**
(45) **Date of Patent:** **** Mar. 10, 2009**

- (54) **HAND PORTABLE AIR COMPRESSOR**
- (75) Inventors: **Craig R. Steinfels**, Jackson, TN (US);
Dustin M. Lee, Jackson, TN (US)
- (73) Assignee: **Black & Decker Inc.**, Newark, DE (US)
- (**) Term: **14 Years**
- (21) Appl. No.: **29/322,382**
- (22) Filed: **Aug. 4, 2008**

6,991,437 B2 1/2006 Cherry et al.
 D514,595 S * 2/2006 Chen D15/9
 6,994,528 B2 2/2006 Brashears et al.
 6,994,529 B2 2/2006 Downes
 D533,880 S * 12/2006 Chen D15/7
 D541,309 S * 4/2007 Wang D15/9

(Continued)

Related U.S. Application Data

- (63) Continuation-in-part of application No. 29/276,772, filed on Feb. 5, 2007, now Pat. No. Des. 576,642.
- (51) **LOC (9) Cl.** **15-02**
- (52) **U.S. Cl.** **D15/9**
- (58) **Field of Classification Search** D15/7-9;
D23/231, 232, 225; 417/410.1, 359, 415-416,
417/234, 321, 265, 405
See application file for complete search history.

References Cited

U.S. PATENT DOCUMENTS

- D277,675 S 2/1985 Hung
- D332,453 S 1/1993 Doolittle et al.
- D352,295 S 11/1994 Morgan
- 5,503,295 A 4/1996 Kotarba et al.
- D375,962 S 11/1996 Wong
- D394,440 S 5/1998 Chen
- D418,522 S 1/2000 Angel
- D460,166 S 7/2002 Wang
- D479,248 S 9/2003 Gist et al.
- 6,655,925 B1 12/2003 Robenalt et al.
- 6,742,995 B1 6/2004 Wood et al.
- D499,117 S 11/2004 Leasure et al.
- D507,799 S 7/2005 Chen
- 6,923,364 B2 8/2005 Burkholder et al.
- 6,923,627 B1 8/2005 Wood et al.
- 6,942,464 B2 9/2005 Brashears et al.
- D512,727 S * 12/2005 Hussaini et al. D15/9

OTHER PUBLICATIONS

- Bostitch—Trim Air Model CAP1516.
- Bostitch—Oil-Free Model CAP2060P.
- Harbor Freight—Model 38898.
- Harbor Freight—Model 94291.
- Hitachi—Model EC79.
- Huskey—Model H1506F.
- Huskey—Model Y1010.
- Porter Cable—Model CF26001.
- Rol-Air—Model P2002 HPV5.
- Rol-Air—Model GD 4000 PV 5H.
- Primary Examiner*—R. Seifert
- (74) *Attorney, Agent, or Firm*—Rhonda L. Barton; Michael P. Leary

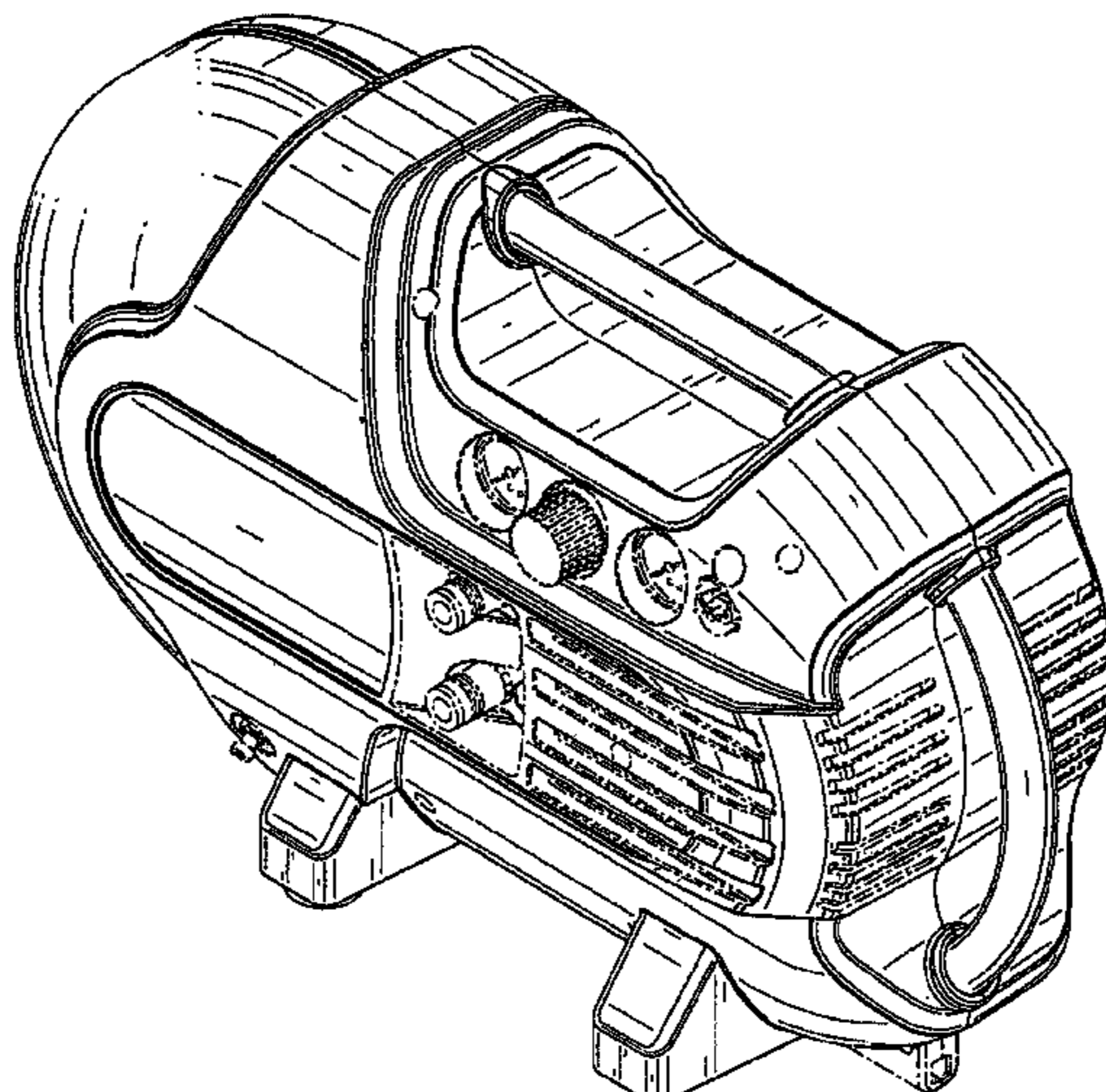
(57) **CLAIM**

The ornamental design for a hand portable air compressor, as shown and described.

DESCRIPTION

FIG. 1 is a right/front perspective view of a hand portable air compressor showing our new design.
 FIG. 2 is a front view thereof.
 FIG. 3 is a rear view thereof.
 FIG. 4 is a left view thereof.
 FIG. 5 is a right side view thereof.
 FIG. 6 is a top side view thereof; and,
 FIG. 7 is a bottom view thereof.
 The broken lines and the areas within the broken lines form no part of the claimed ornamental design.

1 Claim, 6 Drawing Sheets



US D588,165 S

Page 2

U.S. PATENT DOCUMENTS							
				2004/0047744	A1	3/2004	Burkholder et al.
				2004/0047745	A1	3/2004	Burkholder et al.
				2006/0067836	A1	3/2006	Smith et al.
D541,822	S	5/2007	Wang	2006/0104830	A1	5/2006	Fields
D541,823	S	5/2007	Wang	2006/0104834	A1	5/2006	Stilwell
D548,751	S *	8/2007	Snider D15/7	2006/0245937	A1	11/2006	Goodwin et al.
D565,601	S *	4/2008	Mandsfelt D15/9				
D572,273	S *	7/2008	Carpenter et al. D15/7				
D576,642	S *	9/2008	Steinfels et al. D15/9				

* cited by examiner

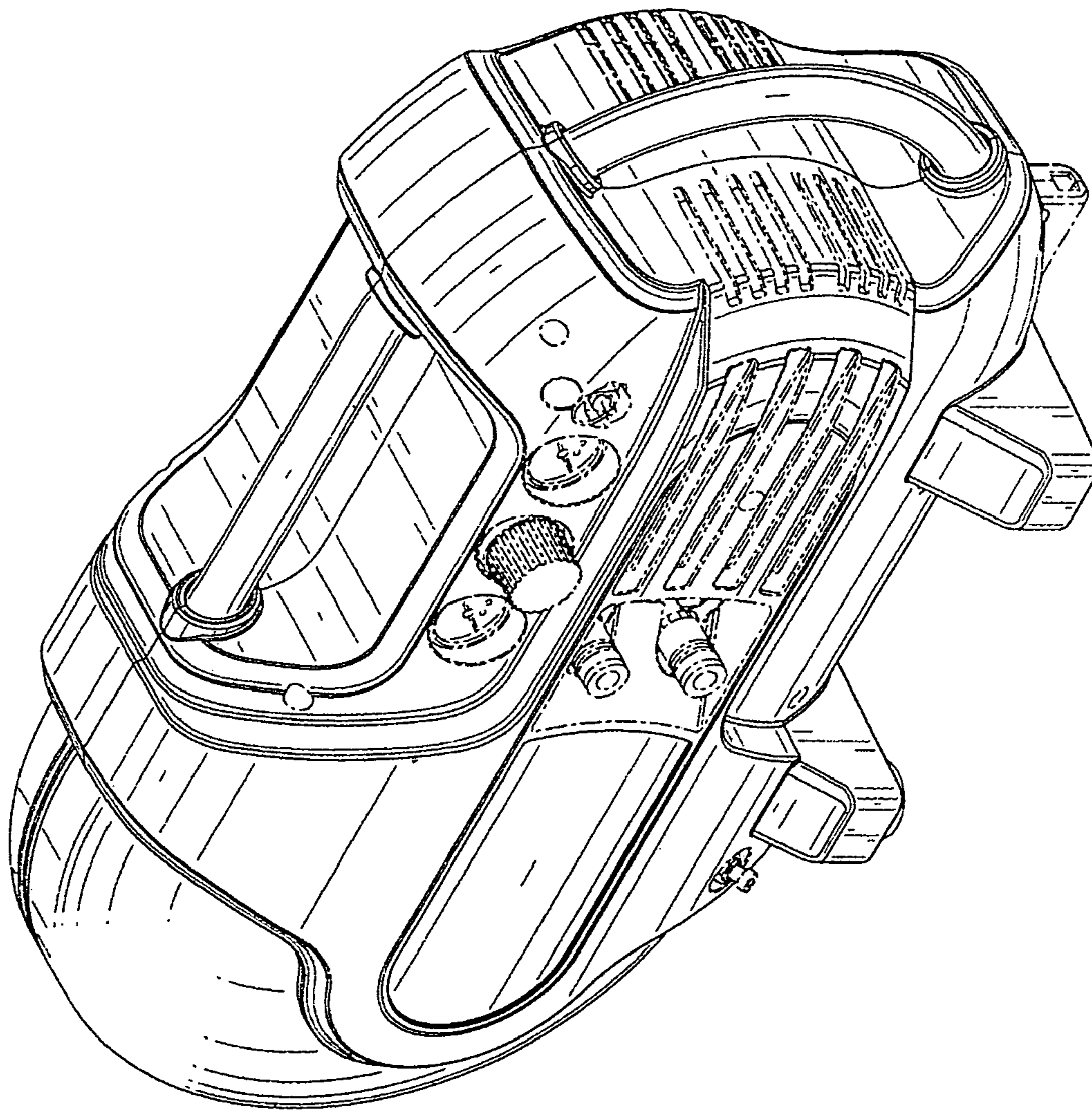


FIG. 1

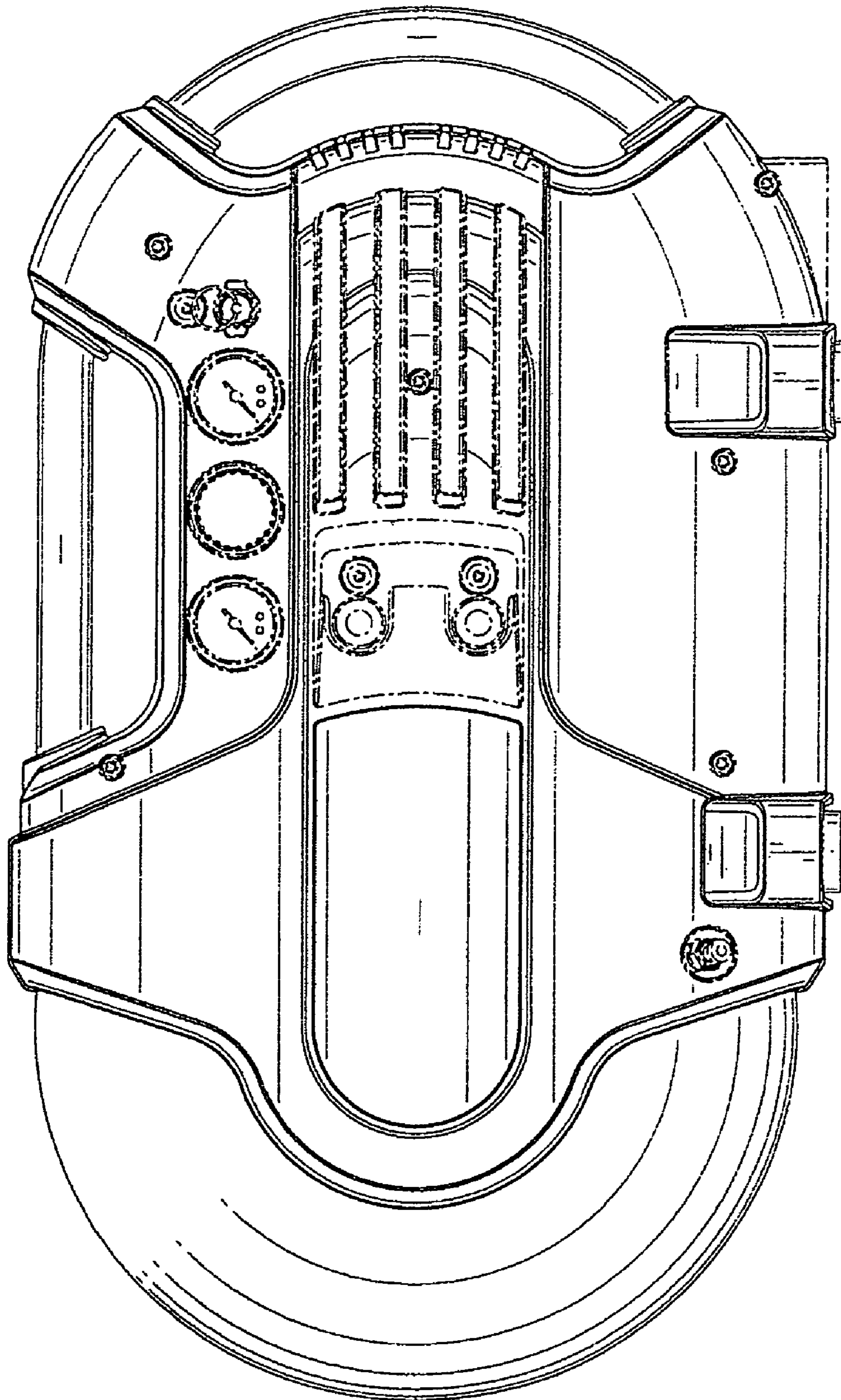


FIG. 2

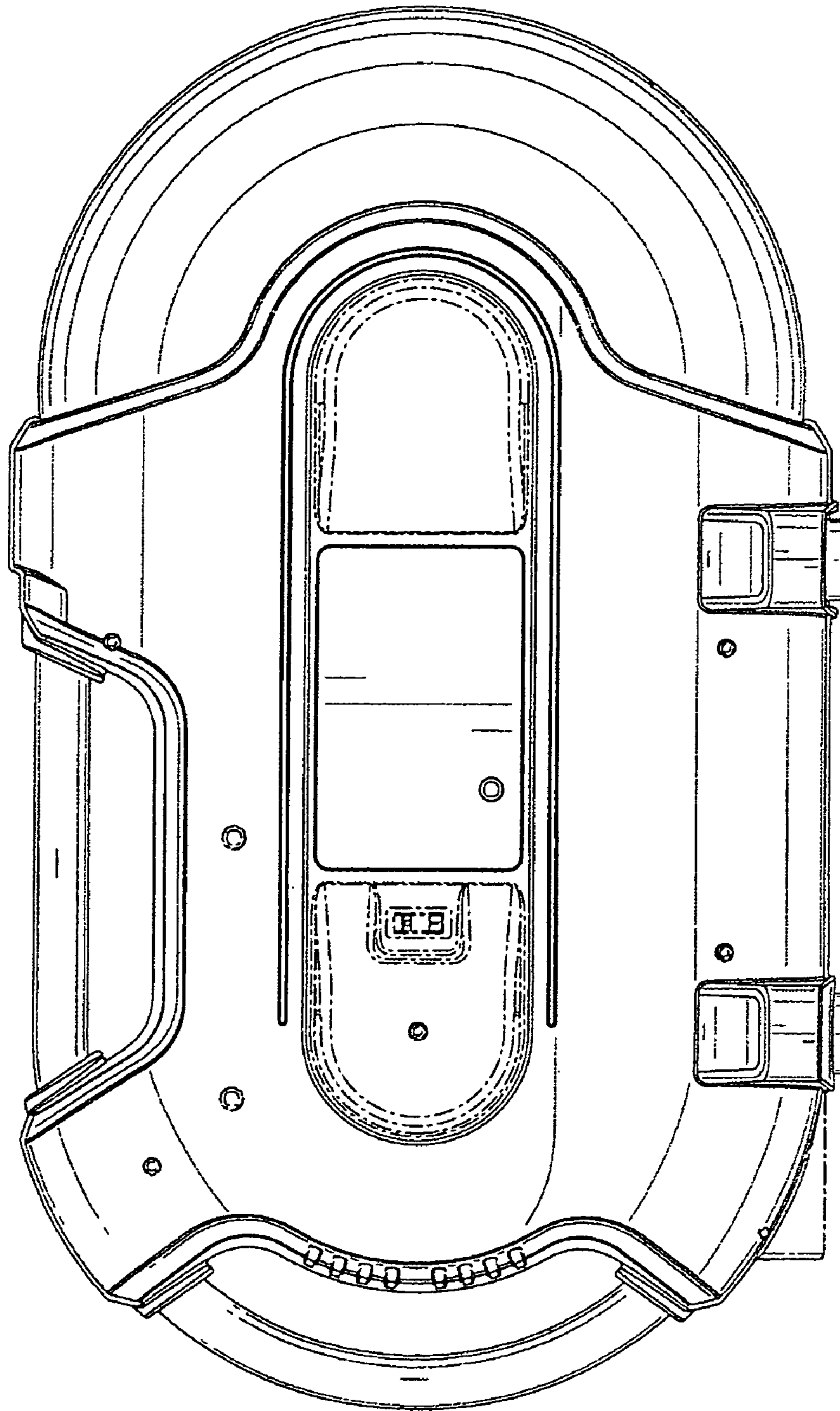


FIG. 3

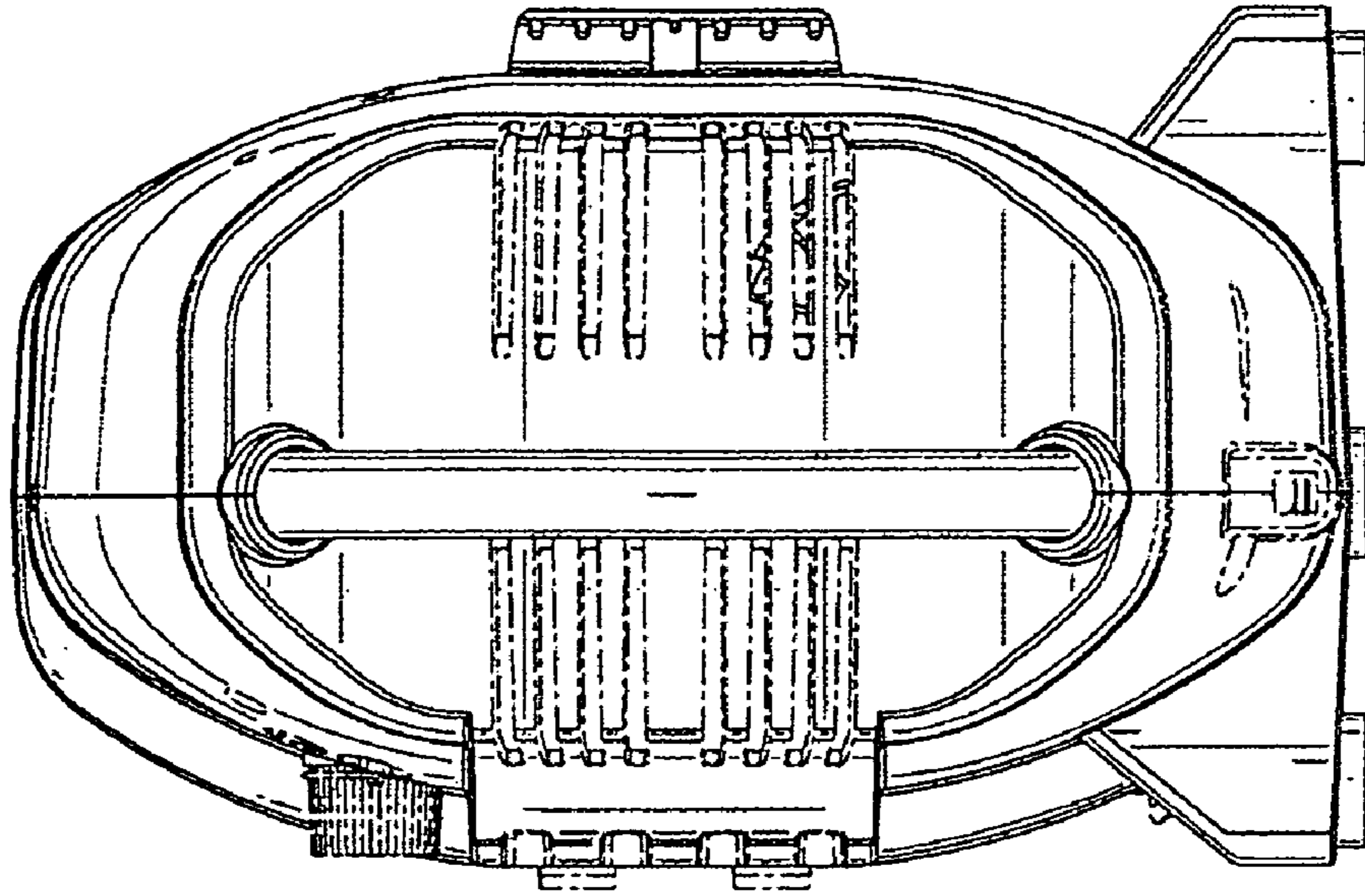


FIG. 5

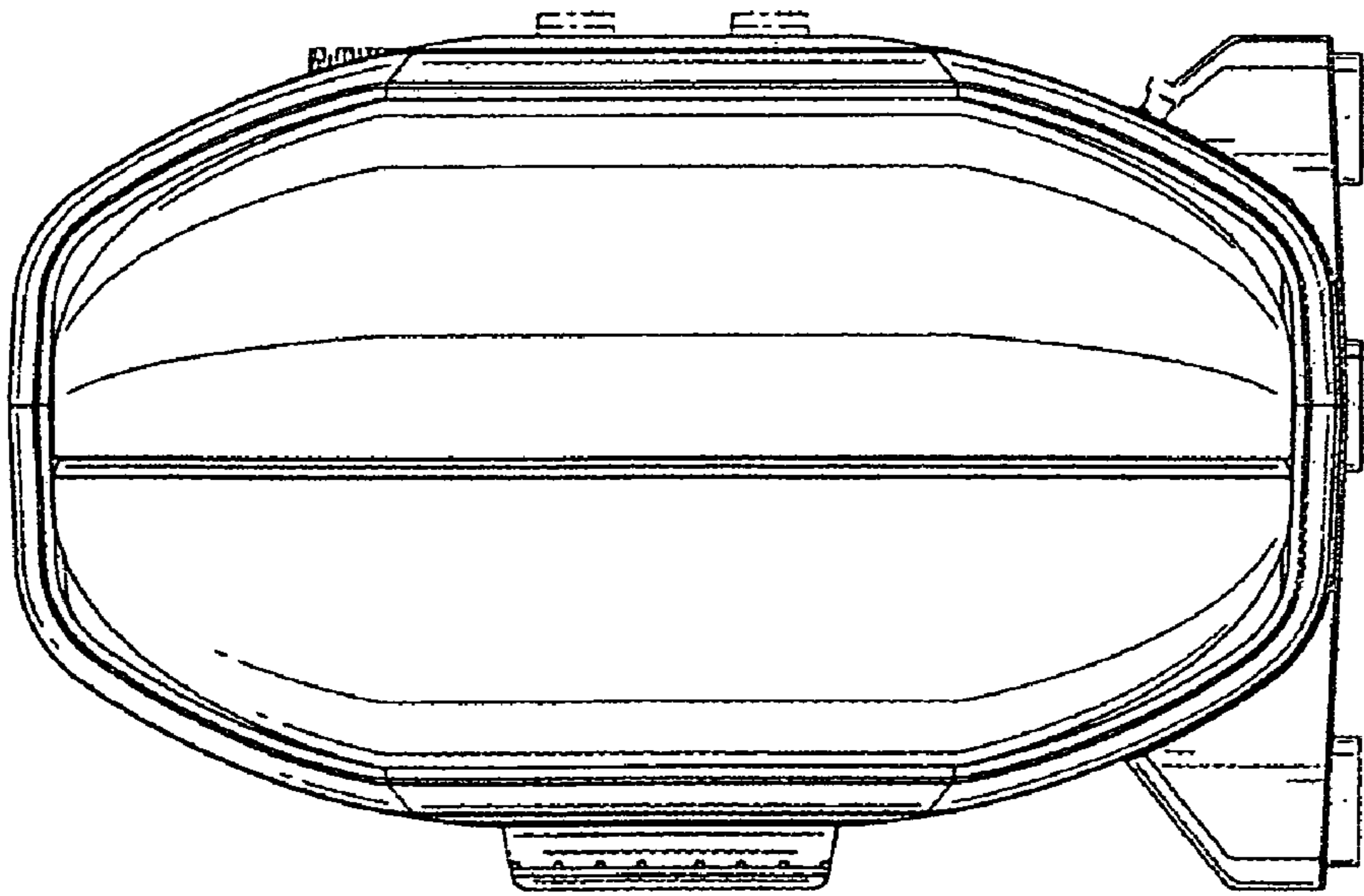


FIG. 4

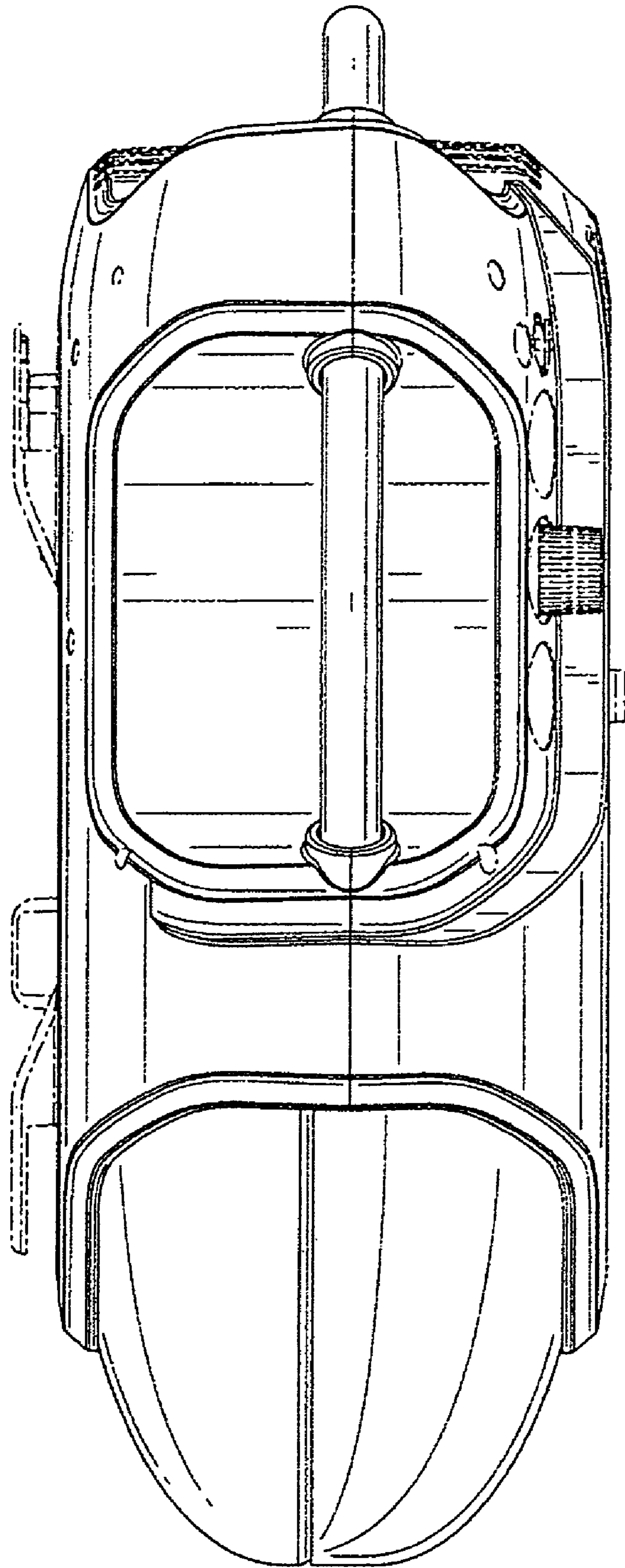


FIG. 6

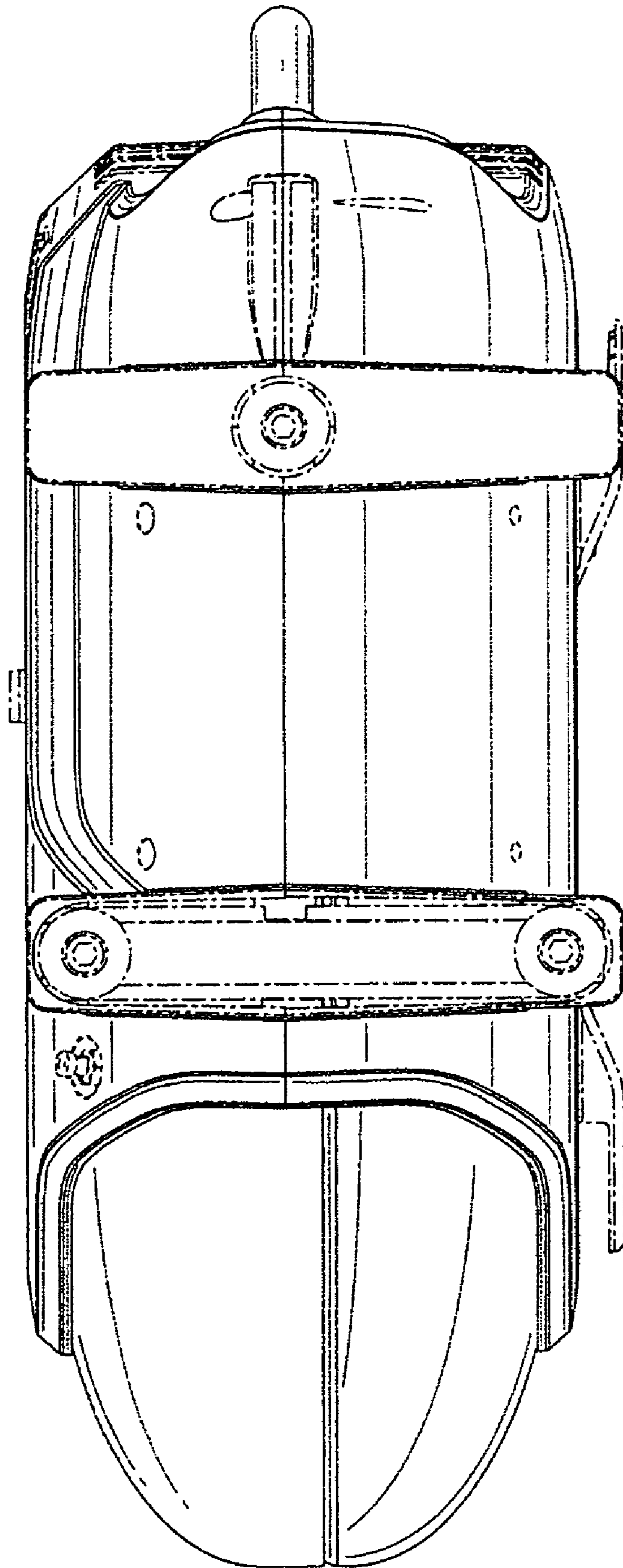


FIG. 7