



US00D588164S

(12) **United States Design Patent**  
**Steinfels**

(10) **Patent No.:** **US D588,164 S**  
(45) **Date of Patent:** **\*\* Mar. 10, 2009**

(54) **HAND PORTABLE AIR COMPRESSOR**  
(75) Inventor: **Craig R. Steinfels**, Jackson, TN (US)  
(73) Assignee: **Black & Decker Inc.**, Newark, DE (US)  
(\*\*) Term: **14 Years**

D461,196 S 8/2002 Buck  
D471,918 S 3/2003 Buck  
D471,919 S 3/2003 Buck  
D479,248 S 9/2003 Gist et al.  
6,655,925 B1 12/2003 Robenalt et al.  
6,742,995 B1 6/2004 Wood et al.  
D499,117 S 11/2004 Leasure et al.  
D507,799 S 7/2005 Chen

(21) Appl. No.: **29/321,853**

(Continued)

(22) Filed: **Jul. 24, 2008**

FOREIGN PATENT DOCUMENTS

(51) **LOC (9) Cl.** ..... **15-02**

DE M9702295 9/1997

(52) **U.S. Cl.** ..... **D15/9**

(Continued)

(58) **Field of Classification Search** ..... D15/7-9;  
D23/231, 232, 225; 417/410.1, 359, 415-416,  
417/234, 321, 265, 405

OTHER PUBLICATIONS

See application file for complete search history.

Bostitch—Trim Air Model CAP1516.

(Continued)

(56) **References Cited**

*Primary Examiner*—R. Seifert

U.S. PATENT DOCUMENTS

(74) *Attorney, Agent, or Firm*—Rhonda L. Barton; Michael P. Leary

D170,330 S 9/1953 Willer  
D277,675 S 2/1985 Hung  
D293,682 S 1/1988 Liou  
D316,098 S 4/1991 Kille  
D328,465 S 8/1992 Schwarz et al.  
D332,453 S 1/1993 Doolittle et al.  
D340,726 S 10/1993 Wang  
D344,735 S 3/1994 Ohman  
D352,292 S 11/1994 Morgan  
D352,293 S 11/1994 Morgan  
D352,295 S 11/1994 Morgan  
5,503,295 A 4/1996 Kotarba et al.  
D375,962 S 11/1996 Wong  
D377,799 S 2/1997 Kruzel et al.  
D384,676 S 10/1997 Cyphers et al.  
D394,440 S 5/1998 Chen  
D418,522 S 1/2000 Angel  
D440,578 S 4/2001 Nolan  
D444,796 S 7/2001 Morgan  
D444,797 S 7/2001 Davis et al.  
D444,798 S 7/2001 Morgan  
D446,220 S \* 8/2001 Boughton et al. .... D15/7  
D452,253 S 12/2001 Matthew et al.  
D460,166 S 7/2002 Wang  
D460,763 S 7/2002 Buck

(57) **CLAIM**

The ornamental design for a hand portable air compressor, as shown and described.

**DESCRIPTION**

FIG. 1 is a top/front perspective view of a hand portable air compressor showing my new design.

FIG. 2 is a front view thereof.

FIG. 3 is a rear view thereof.

FIG. 4 is a left side view thereof.

FIG. 5 is a right side view thereof.

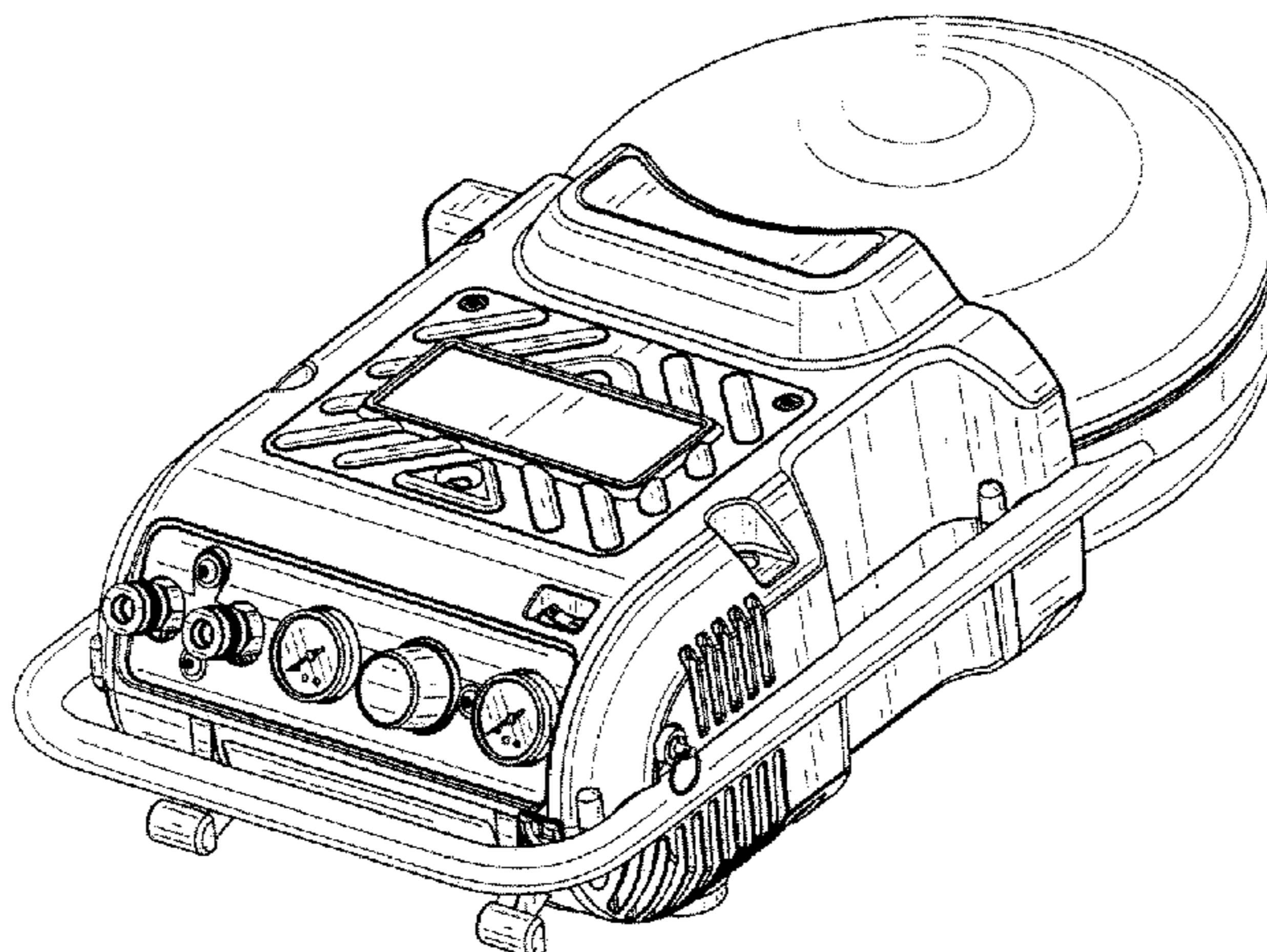
FIG. 6 is a top side view thereof.

FIG. 7 is a bottom view thereof.

FIG. 8 is a rear perspective view thereof; and,

FIG. 9 is a bottom/front perspective view thereof.

**1 Claim, 8 Drawing Sheets**



# US D588,164 S

Page 2

## U.S. PATENT DOCUMENTS

6,923,364	B2	8/2005	Burkholder et al.
6,923,627	B1	8/2005	Wood et al.
6,942,464	B2	9/2005	Brashears et al.
6,991,437	B2	1/2006	Cherry et al.
6,994,528	B2	2/2006	Brashears et al.
6,994,529	B2	2/2006	Downes
D519,125	S	4/2006	Burford et al.
D528,131	S	9/2006	Wu
D541,822	S	5/2007	Wang
D541,823	S	5/2007	Wang
D562,349	S *	2/2008	Butler ..... D15/9
D578,551	S *	10/2008	Bonzer ..... D15/9
2004/0047744	A1	3/2004	Burkholder et al.
2004/0047745	A1	3/2004	Burkholder et al.
2006/0067836	A1	3/2006	Smith et al.
2006/0104825	A1	5/2006	Etter et al.
2006/0104830	A1	5/2006	Fields
2006/0104834	A1	5/2006	Stilwell
2006/0245937	A1	11/2006	Goodwin et al.

## FOREIGN PATENT DOCUMENTS

DE	49808081	4/1999
DE	40107825	1/2002
DE	40401476	8/2004

DE	40406313	3/2005
EP	0595459	5/1994
FR	1140265	1/1956
FR	1263641	7/1960
FR	002597928	10/1987
FR	DM47819	7/1999
FR	DM54178	2/2001
FR	DM57951	12/2001
GB	1579897	11/1980
GB	2216960	10/1989
JP	357186078	11/1982
JP	402199278	8/1990
WO	0124941	4/2001

## OTHER PUBLICATIONS

Bostitch—Oil-Free Model CAP2060P.  
Harbor Freight—Model 38898.  
Harbor Freight—Model 94291.  
Hitachi—Model EC79.  
Huskey—Model H1506F.  
Huskey—Model Y1010.  
Porter Cable—Model CF26001.  
Rol-Air—Model P2002 HPV5.  
Rol-Air—Model GD 4000 PV 5H.

\* cited by examiner

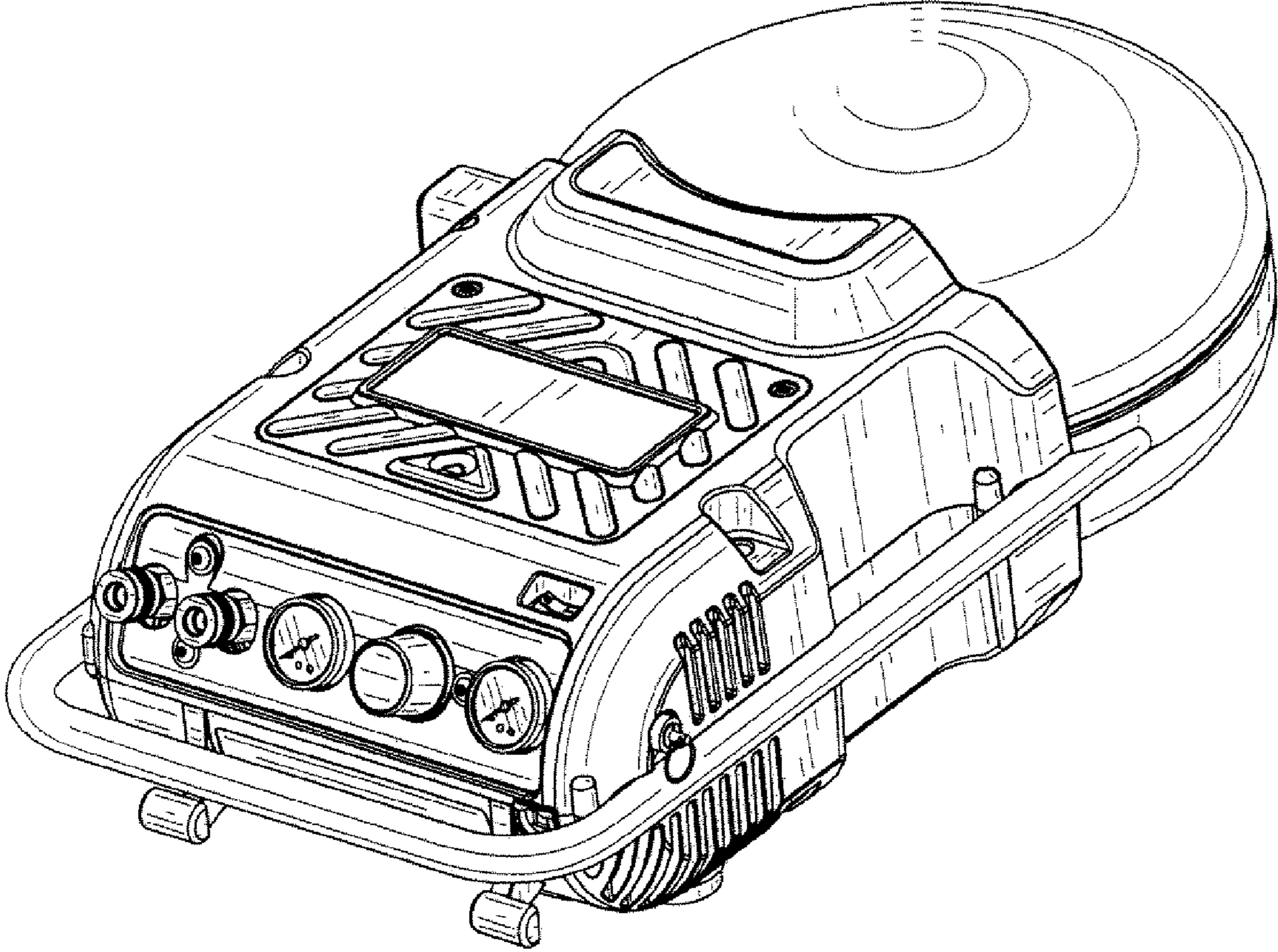


FIG. 1

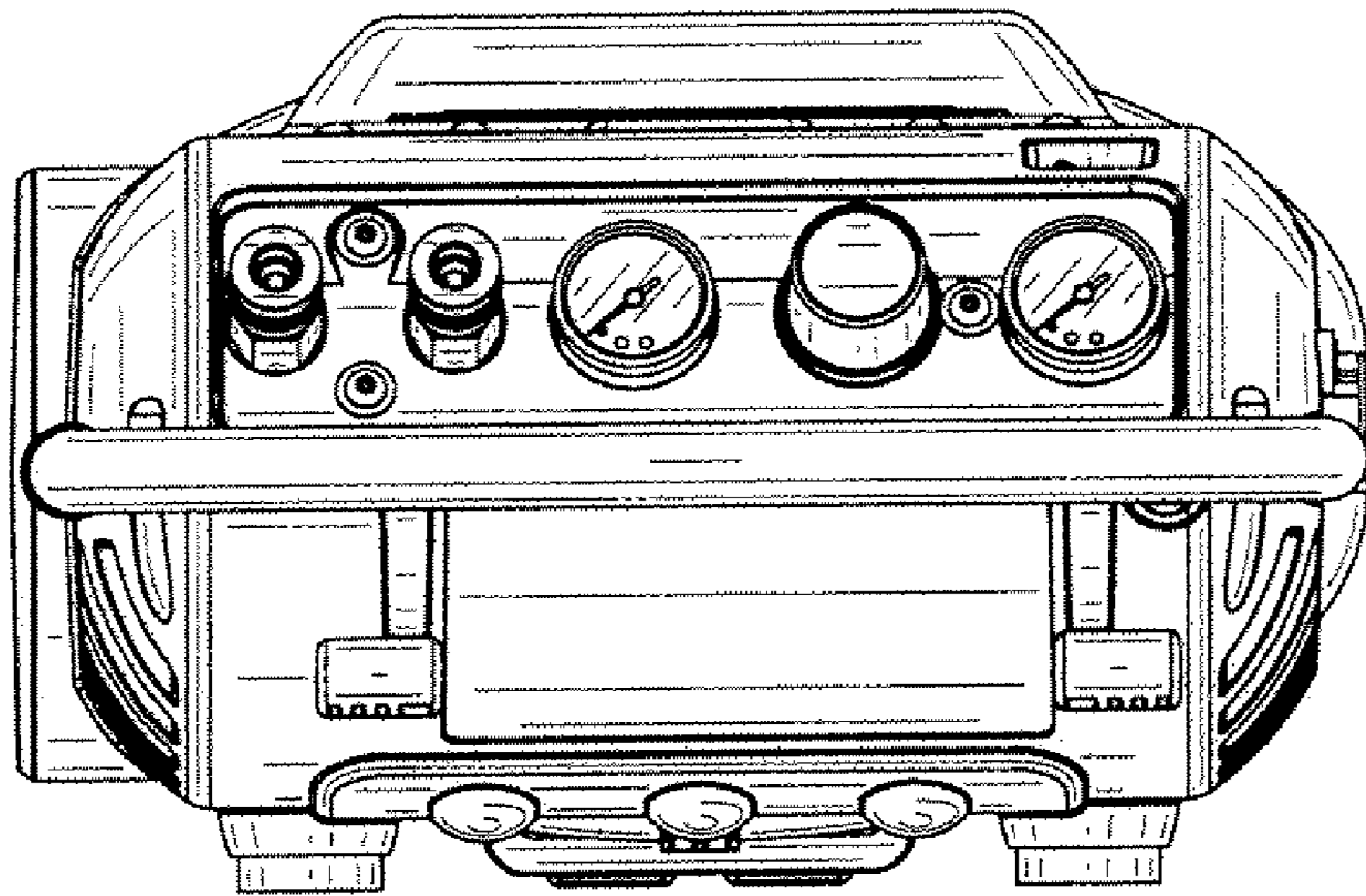


FIG. 2

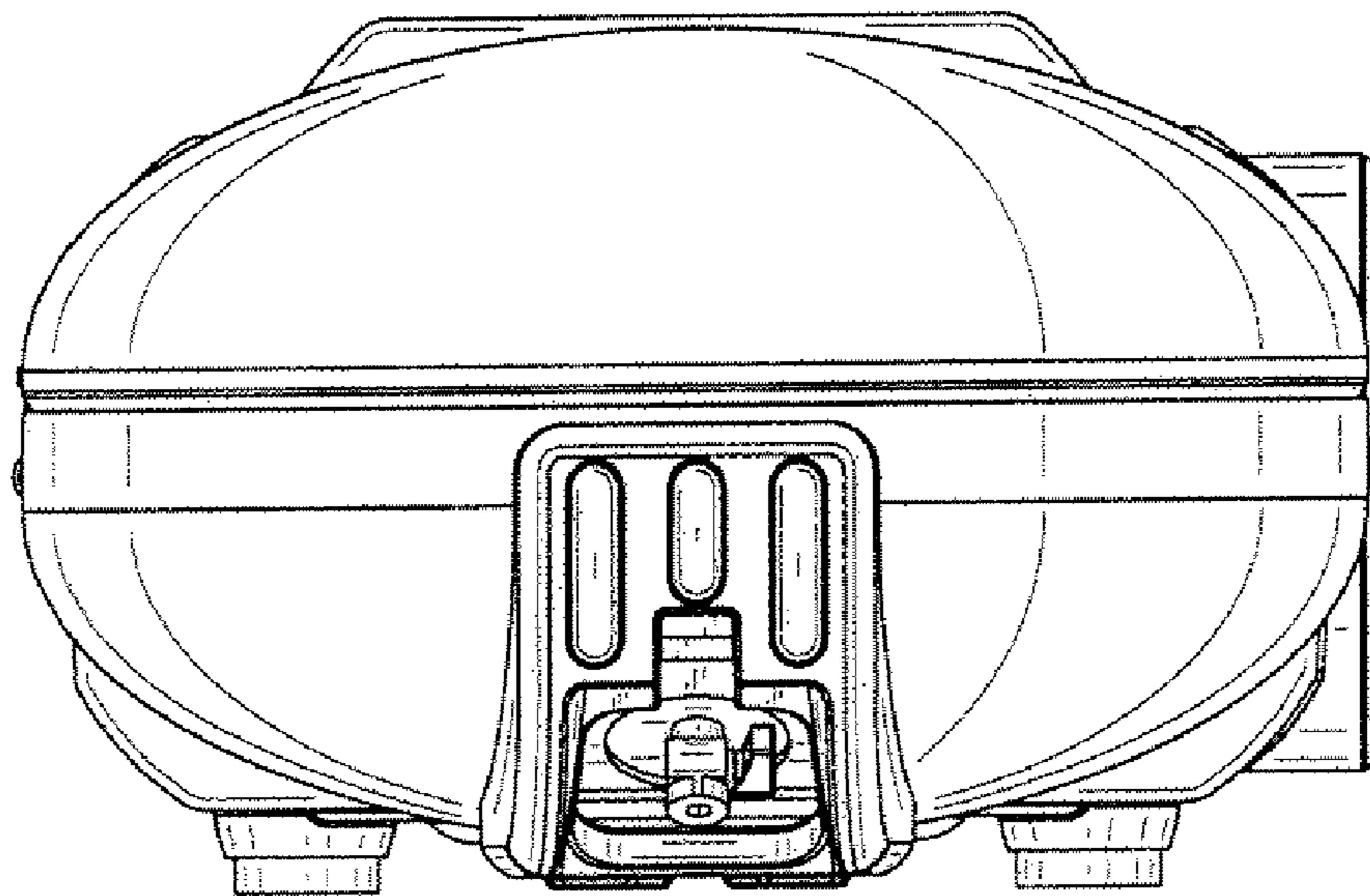


FIG. 3

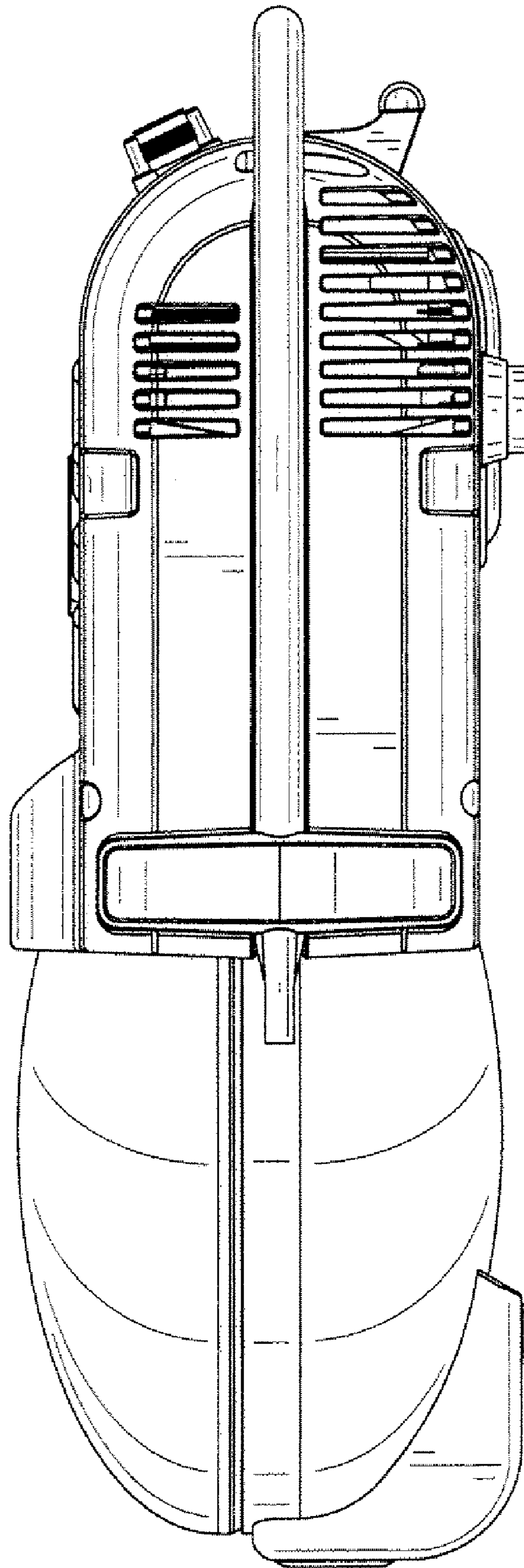


FIG. 4

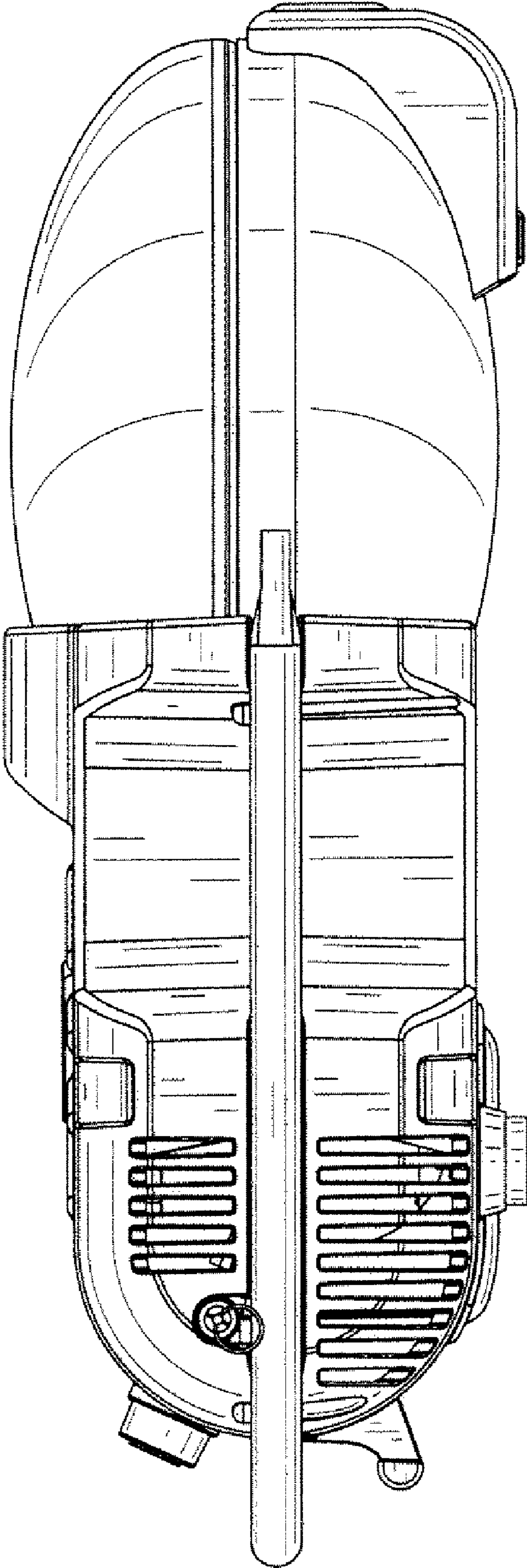


FIG. 5

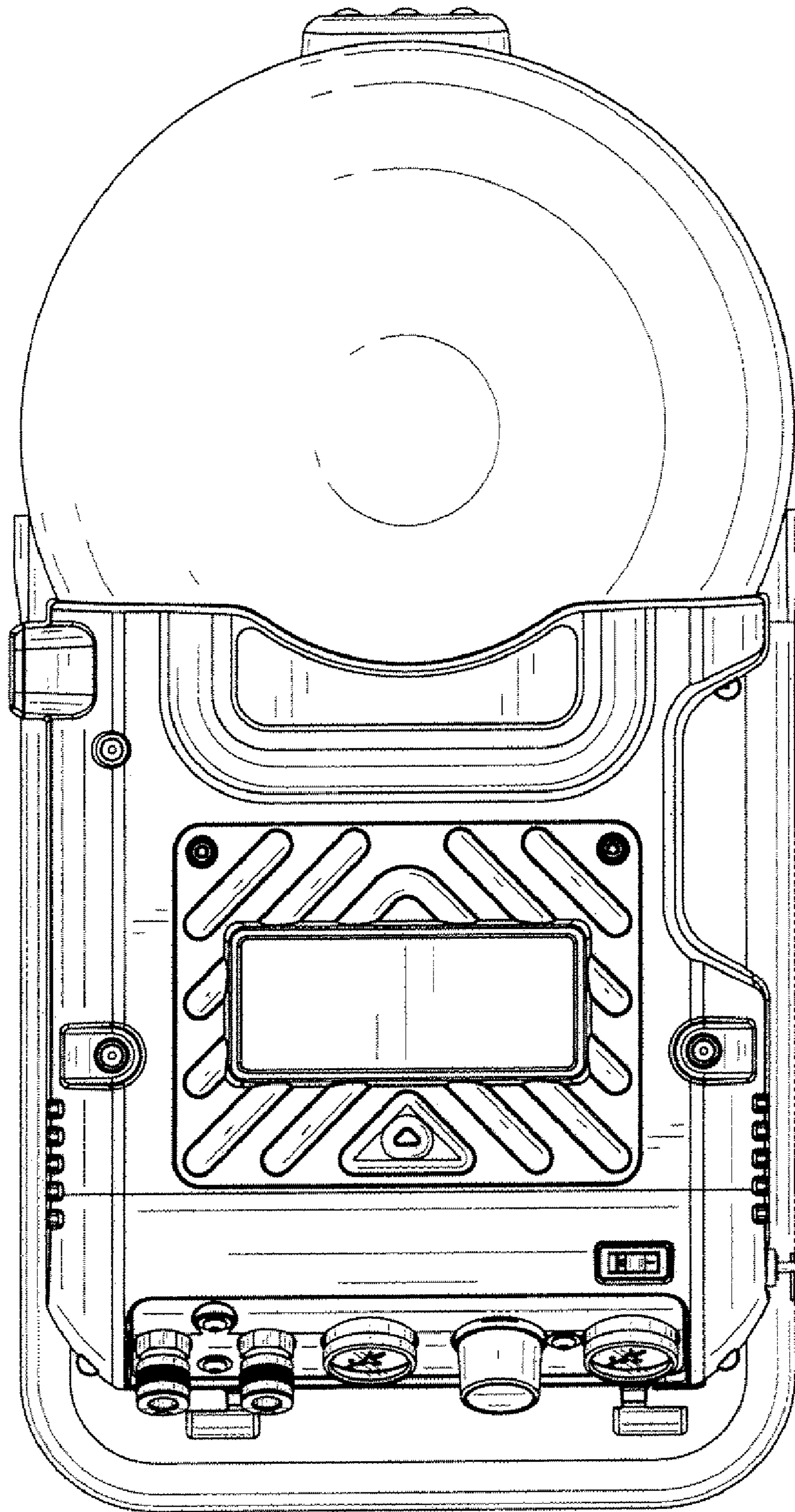


FIG. 6

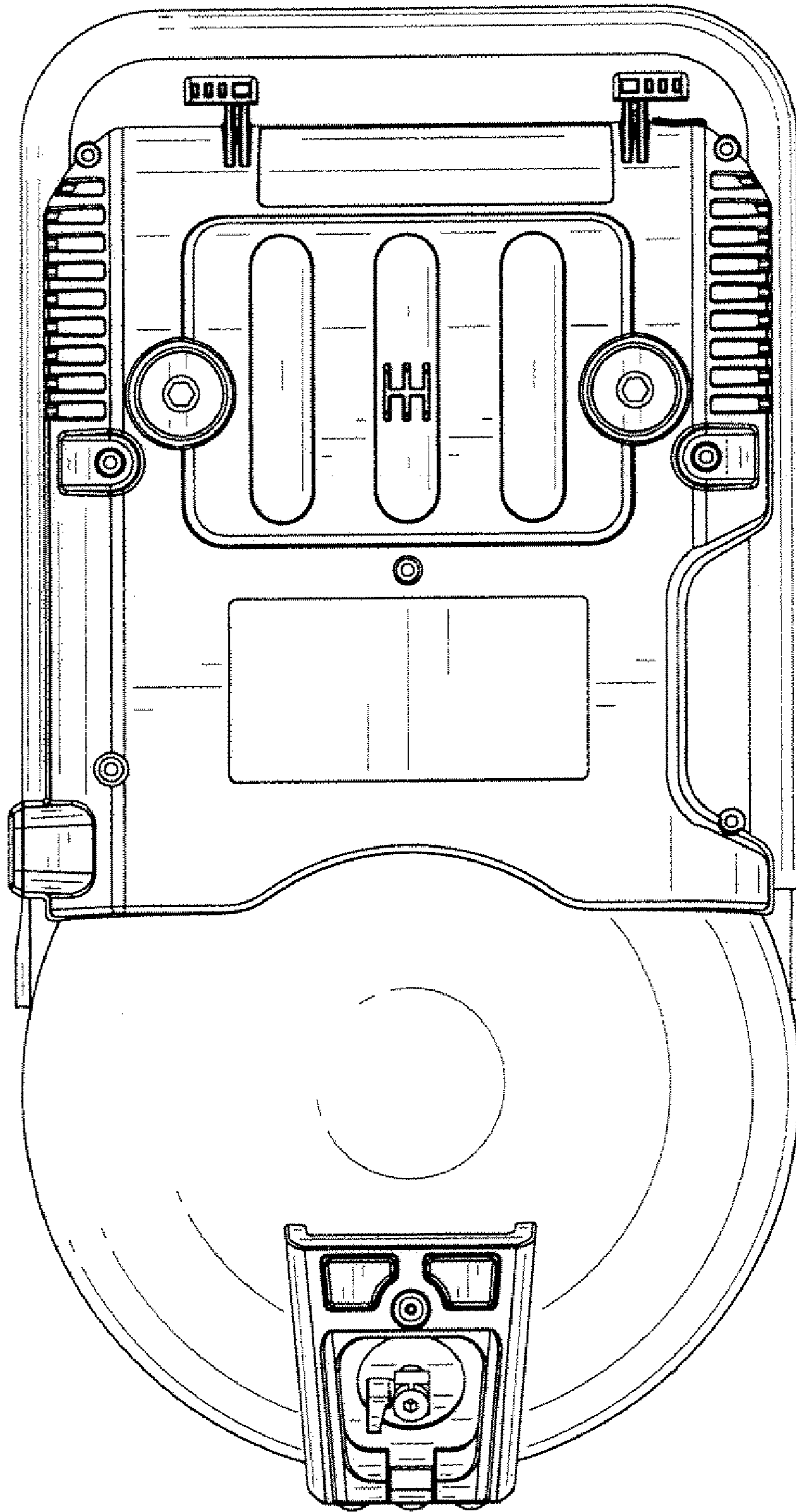


FIG. 7



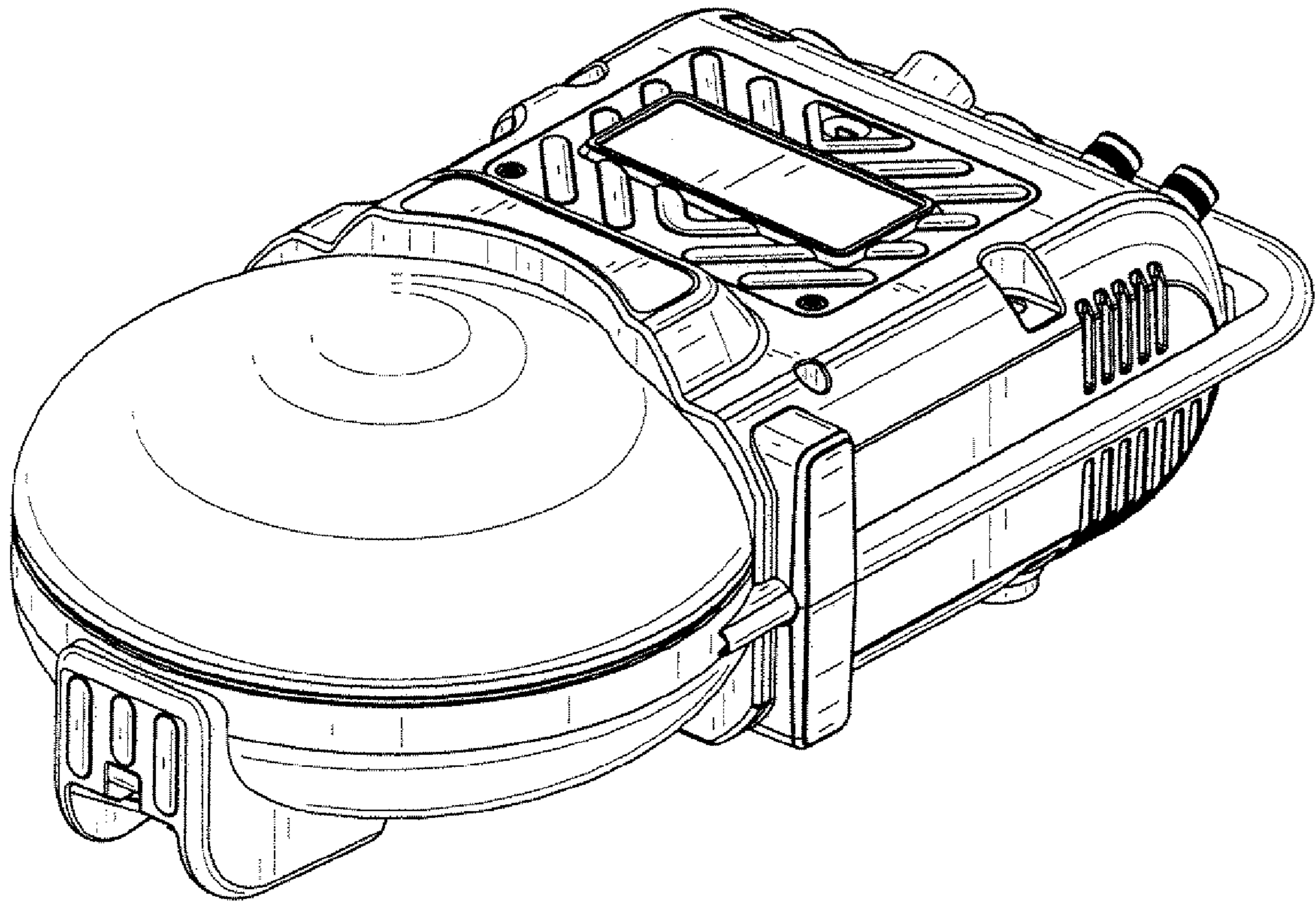


FIG. 8

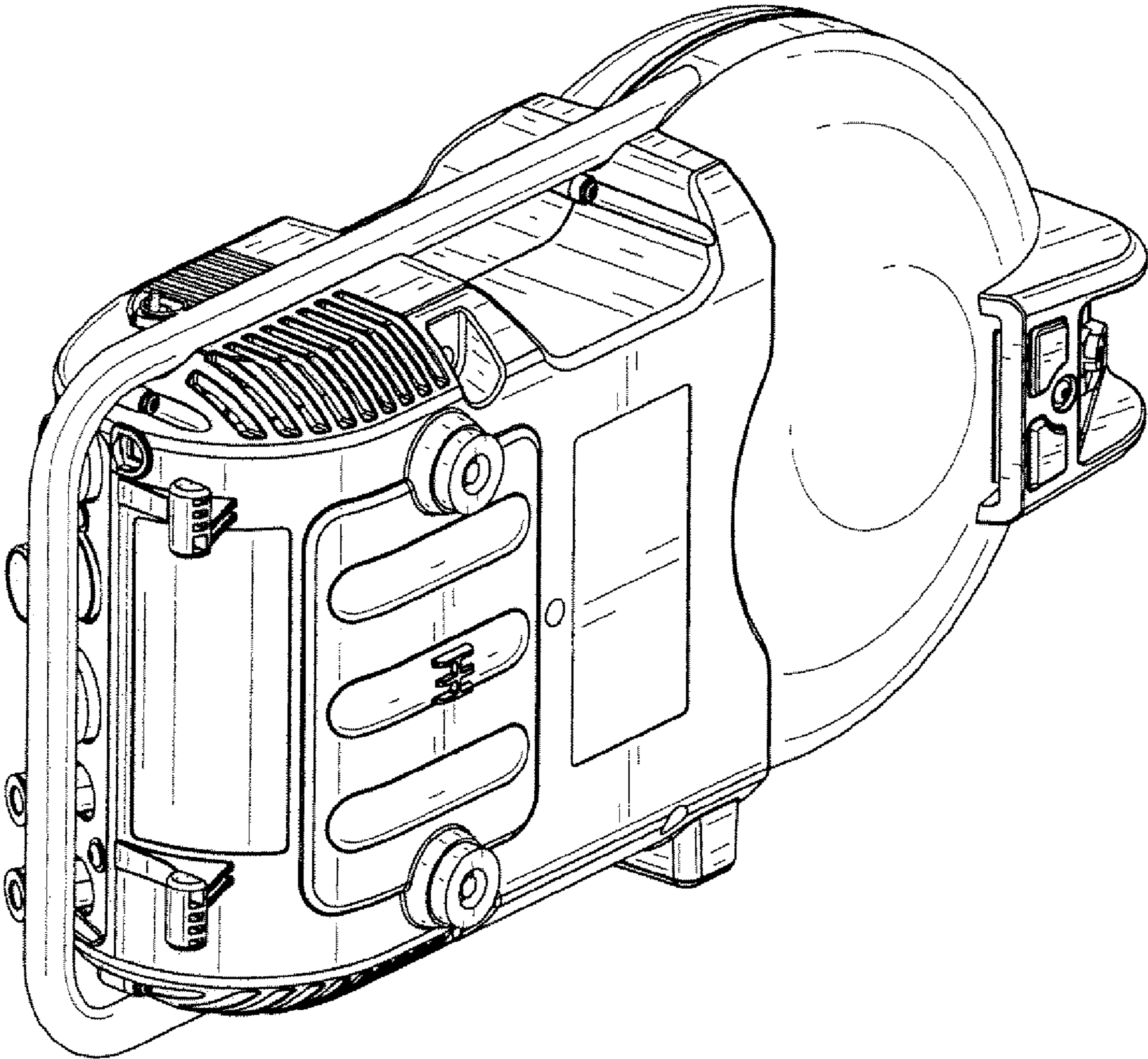


FIG. 9