



US00D588162S

(12) **United States Design Patent**
Geisler et al.

(10) **Patent No.:** **US D588,162 S**
(45) **Date of Patent:** **** Mar. 10, 2009**

(54) **INTEGRATED AIR COMPRESSOR AND WINCH**

(75) Inventors: **Richard J. Geisler**, Oregon City, OR (US); **Darren G. Fretz**, Canby, OR (US); **Eric J. Webb**, Vancouver, WA (US)

(73) Assignee: **Warn Industries, Inc.**, Milwaukie, OR (US)

(**) Term: **14 Years**

(21) Appl. No.: **29/249,500**

(22) Filed: **Oct. 9, 2006**

Related U.S. Application Data

(63) Continuation-in-part of application No. 29/248,956, filed on Sep. 12, 2006, now Pat. No. Des. 550,720.

(51) **LOC (9) Cl.** **15-02**

(52) **U.S. Cl.** **D15/9**

(58) **Field of Classification Search** D15/7-9;
D23/232, 231; 417/359, 415-416, 410.1,
417/321, 265, 405; D34/33

See application file for complete search history.

(56) **References Cited**

U.S. PATENT DOCUMENTS

3,986,588 A	10/1976	Kuzarov
4,004,780 A	1/1977	Kuzarov
D243,940 S	4/1977	Kuzarov
4,033,552 A	7/1977	Kuzarov
4,123,040 A	10/1978	Kuzarov
4,461,460 A	7/1984	Telford
4,545,567 A	10/1985	Telford et al.
4,650,163 A	3/1987	Peterson
4,736,929 A	4/1988	McMorris
5,261,646 A	11/1993	Telford
5,482,255 A	1/1996	Daschel et al.

5,522,582 A	6/1996	Dilks	
D475,499 S	6/2003	Hodge	
6,604,731 B2	8/2003	Hodge	
D479,899 S	9/2003	Hodge	
D483,992 S	12/2003	Choi	
D489,157 S	4/2004	Lawson	
D499,745 S *	12/2004	Hsiao	D15/9
6,864,650 B2	3/2005	Heravi et al.	
D513,650 S	1/2006	Elliott	
D519,125 S *	4/2006	Burford et al.	D15/7
D528,131 S *	9/2006	Wu	D15/9
D532,577 S	11/2006	Elliott et al.	

* cited by examiner

Primary Examiner—R. Seifert

(74) *Attorney, Agent, or Firm*—Harness, Dickey & Pierce, P.L.C.

(57) **CLAIM**

The ornamental design for an integrated air compressor and winch, as shown and described.

DESCRIPTION

FIG. 1 is a front perspective view of an integrated air compressor and winch;

FIG. 2 is a front planar view thereof;

FIG. 3 is a top view thereof;

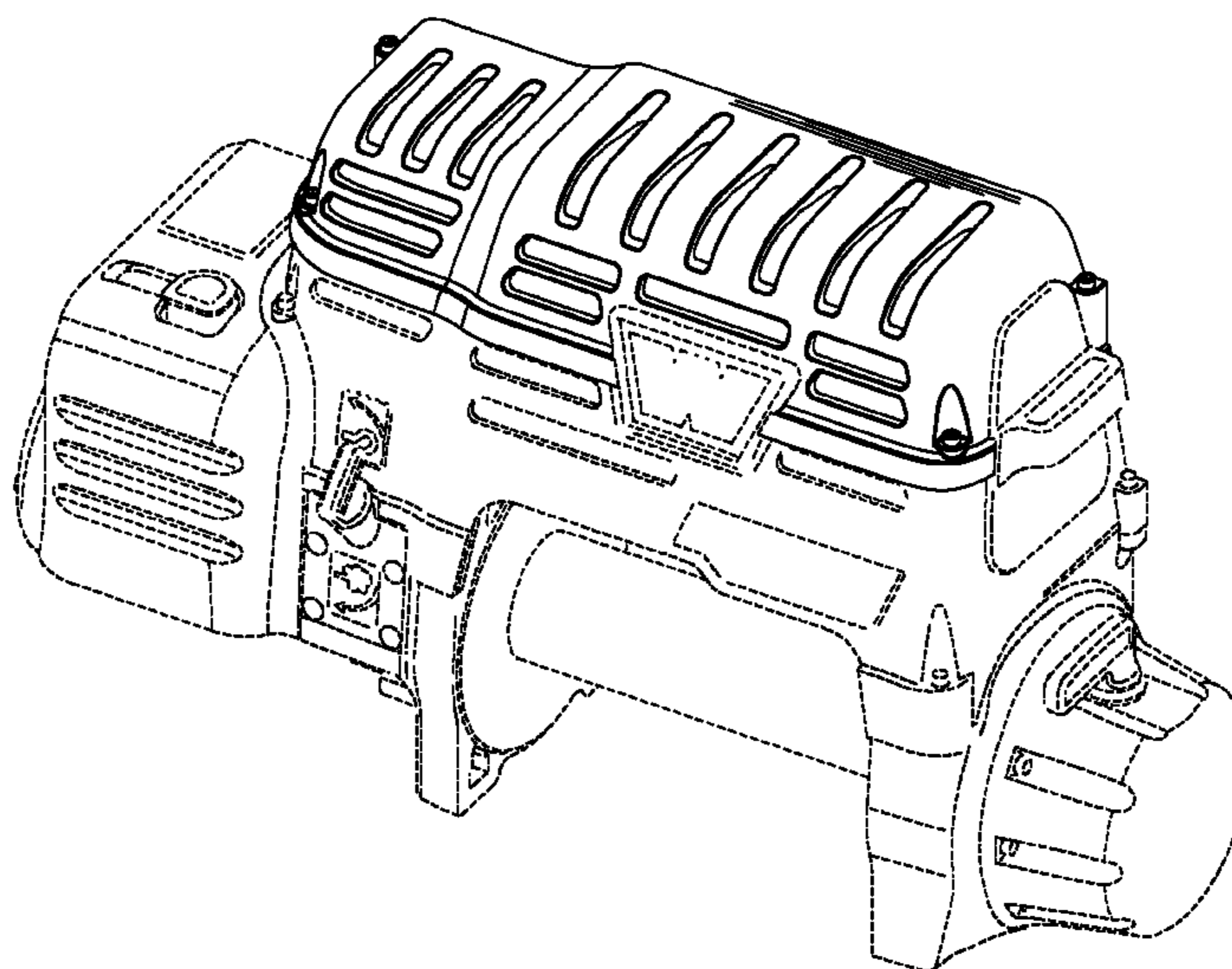
FIG. 4 is a right side view thereof; and,

FIG. 5 is a left side view thereof.

It being understood that the broken lines are for illustrative purposes only and form no part of the claimed design.

In the drawings, the evenly spaced broken lines represent unclaimed environmental structure of the described environmental structure; dash-dot-dot-dash broken lines represent the boundaries of the claim and form no part of the claimed design.

1 Claim, 5 Drawing Sheets



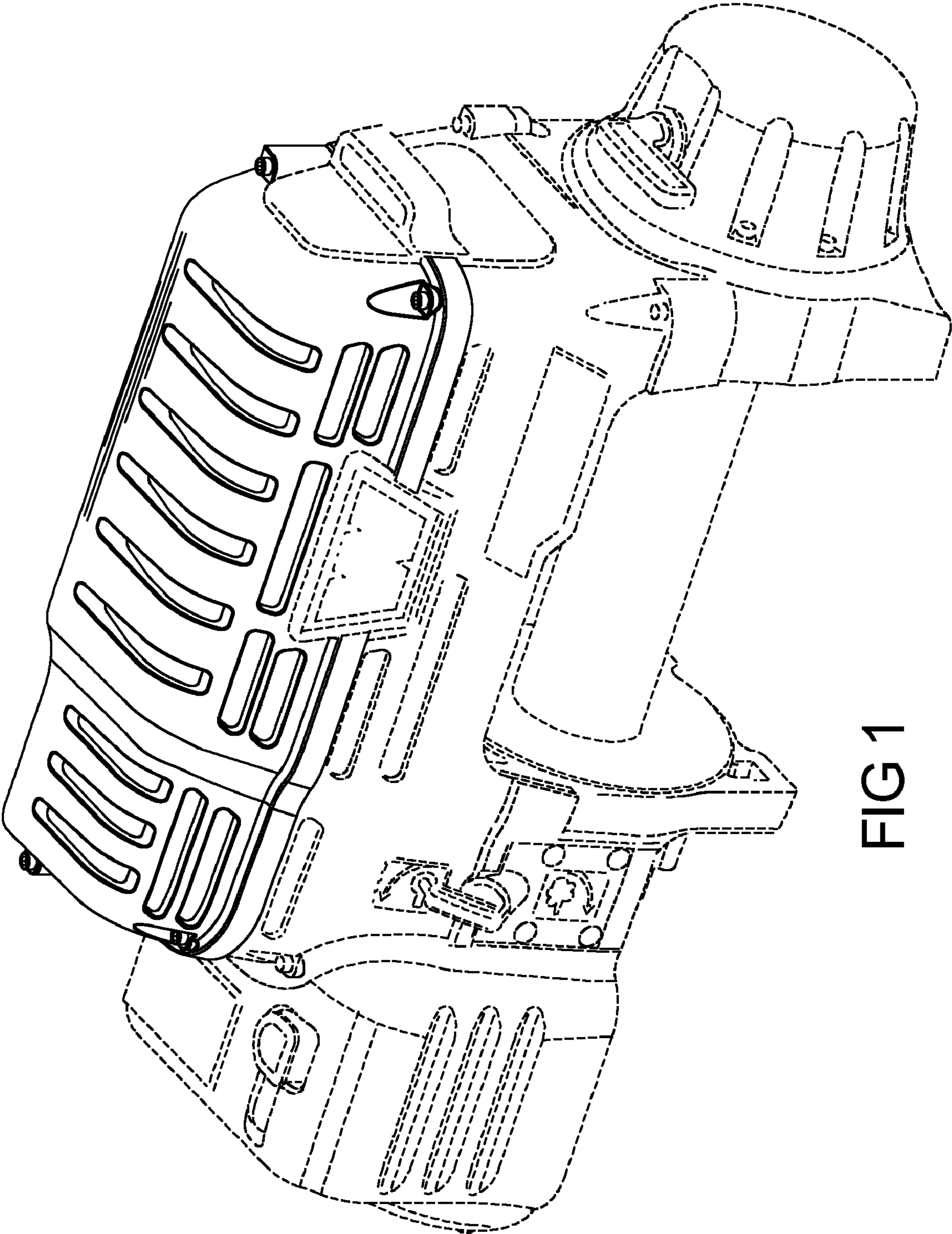


FIG 1

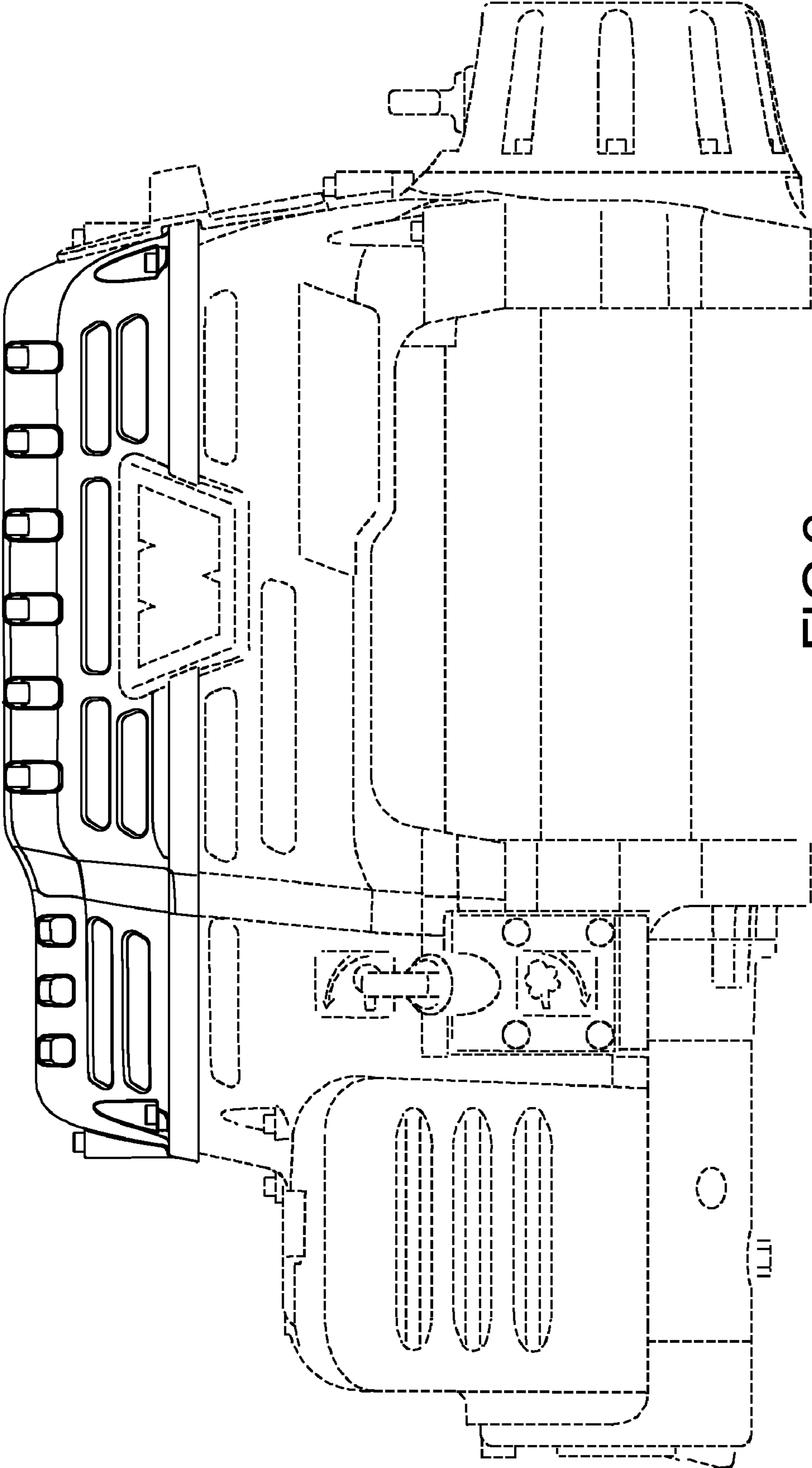


FIG 2

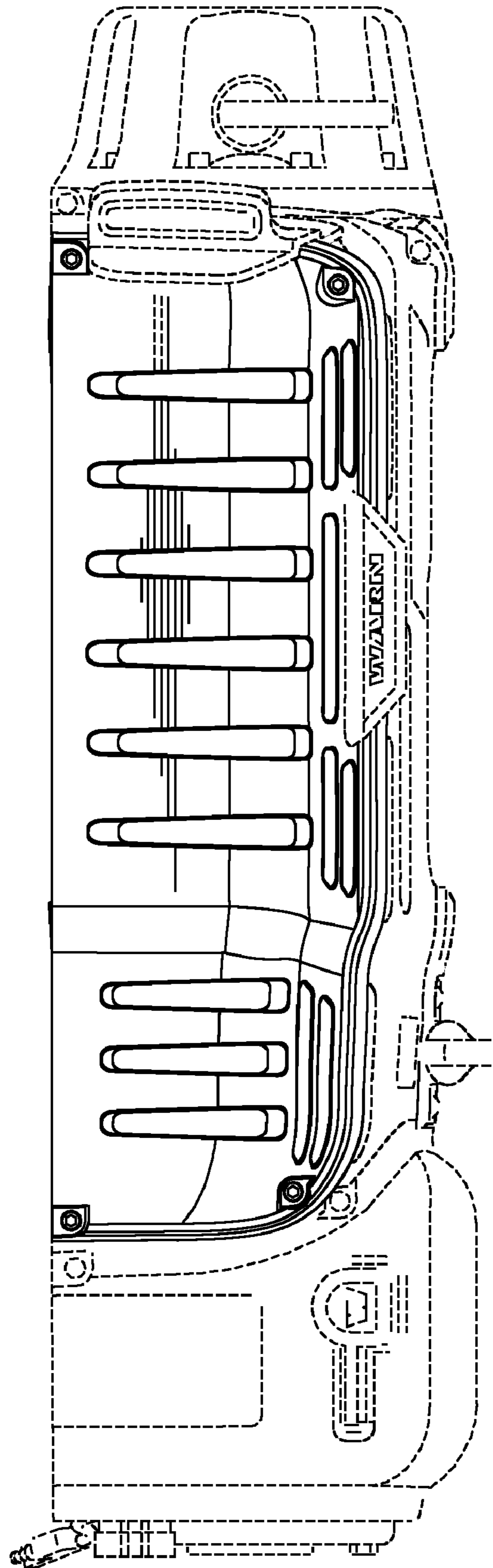


FIG 3

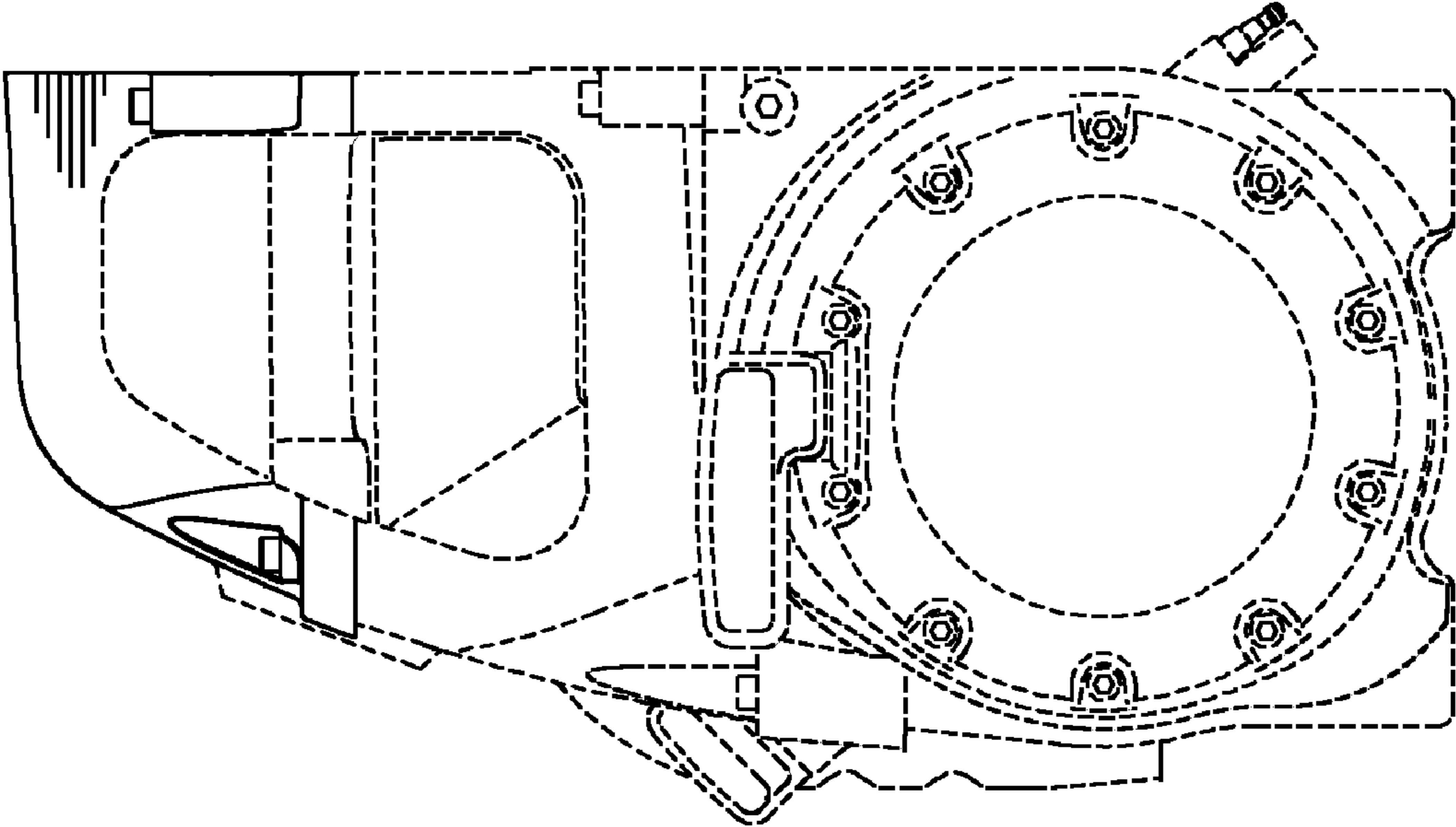


FIG 4

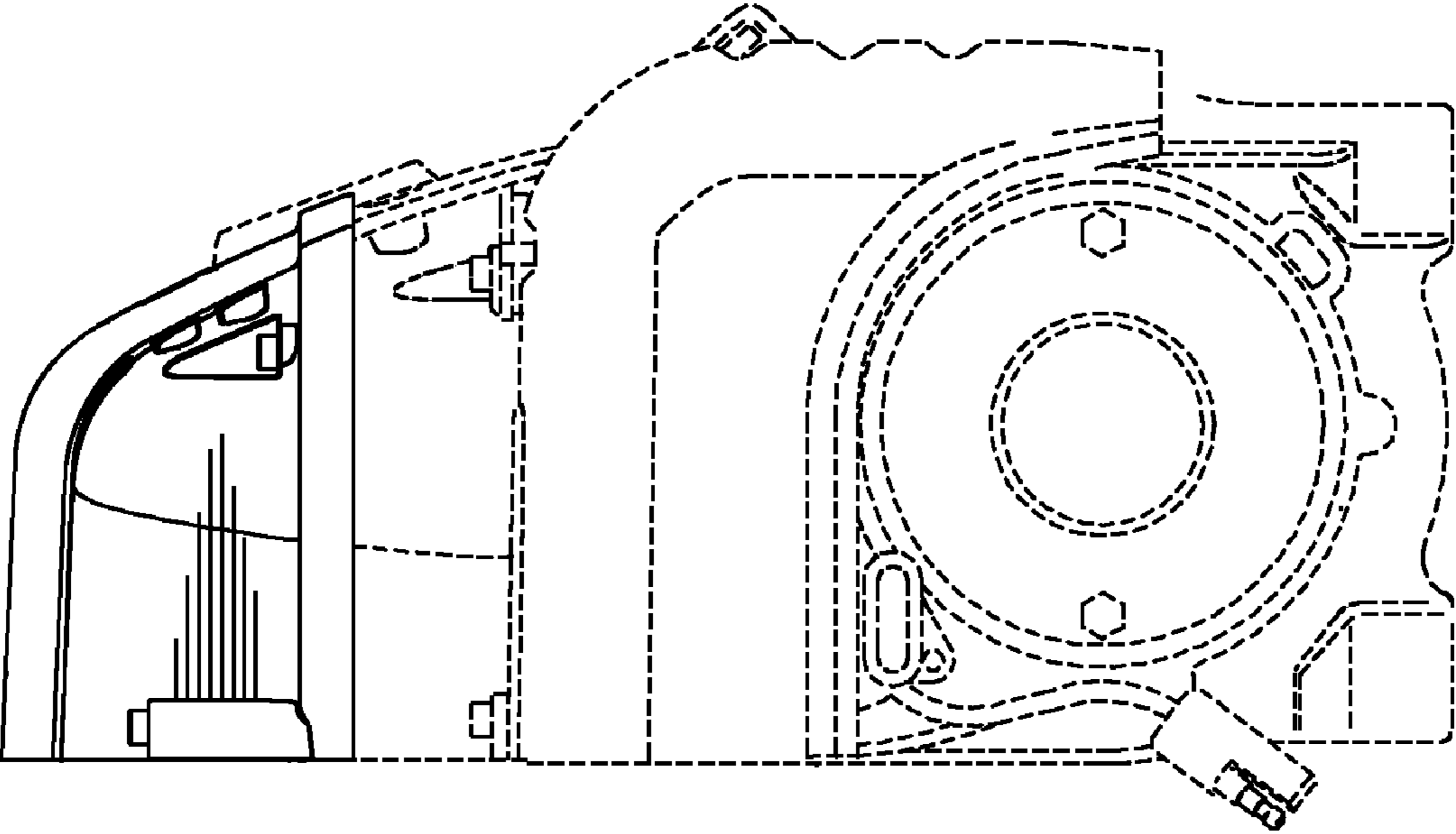


FIG 5