



US00D588160S

(12) **United States Design Patent**  
**Beale et al.**

(10) **Patent No.:** **US D588,160 S**  
(45) **Date of Patent:** **\*\* Mar. 10, 2009**

(54) **PUMP**

(75) Inventors: **Alan Beale**, South Wales (GB); **Grant Burrows**, Rhondda Cynon Taff (GB); **Kevin Allcock**, Thornhill Cardiff (GB); **David Gillman Barber**, Gwent (GB); **Philip Ian Rees**, Rhondda Cynon Taff (GB)

(73) Assignee: **Huntleigh Technology Limited**, Luton, Bedfordshire (GB)

(\*\*) Term: **14 Years**

(21) Appl. No.: **29/279,882**

(22) Filed: **May 10, 2007**

(30) **Foreign Application Priority Data**

Nov. 15, 2006 (GB) ..... 4000503

(51) **LOC (9) Cl.** ..... **15-02**

(52) **U.S. Cl.** ..... **D15/7**

(58) **Field of Classification Search** ..... D15/7-9;  
D23/231, 232; 417/410.1, 359, 415-416,  
417/234, 321, 265, 405

See application file for complete search history.

(56) **References Cited**

**U.S. PATENT DOCUMENTS**

D374,237 S \* 10/1996 Wang ..... D15/7

(Continued)

*Primary Examiner*—R. Seifert

(74) *Attorney, Agent, or Firm*—Craig Fieschko, Esq.; Dewitt Ross & Stevens S.C.

(57) **CLAIM**

We claim the ornamental design for a pump, as shown and described.

**DESCRIPTION**

FIG. 1 is a left perspective view of a pump;

FIG. 2 is a right perspective view of the pump;

FIG. 3 is a front elevational view of the pump;

FIG. 4 is a right elevational view of the pump;

FIG. 5 is a rear elevational view of the pump;

FIG. 6 is a left elevational view of the pump;

FIG. 7 is a top plan view of the pump;

FIG. 8 is a bottom plan view of the pump;

FIG. 9 is a right perspective view of the pump with the pump canister removed;

FIG. 10 is a front elevational view of the pump with the pump canister removed;

FIG. 11 is a right elevational view of the pump with the pump canister removed;

FIG. 12 is a rear elevational view of the pump with the pump canister removed;

FIG. 13 is a left elevational view of the pump with the pump canister removed;

FIG. 14 is a top plan view of the pump with the pump canister removed;

FIG. 15 is a bottom plan view of the pump with the pump canister removed;

FIG. 16 is a left perspective view of the pump canister;

FIG. 17 is a right perspective view of the pump canister;

FIG. 18 is a front elevational view of the pump canister;

FIG. 19 is a right elevational view of the pump canister;

FIG. 20 is a rear elevational view of the pump canister;

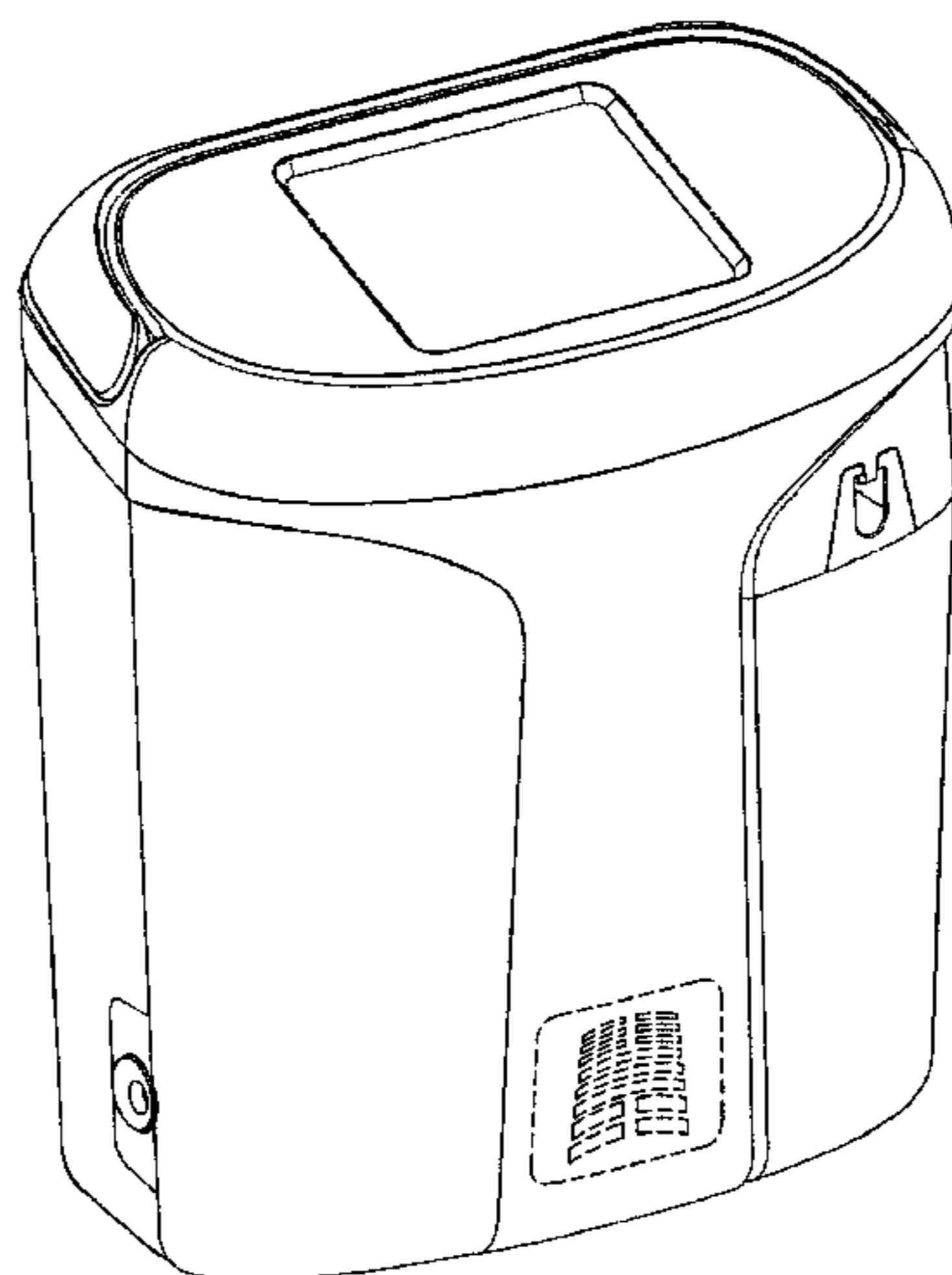
FIG. 21 is a left elevational view of the pump canister;

FIG. 22 is a top plan view of the pump canister; and,

FIG. 23 is a bottom plan view of the pump canister.

The broken line drawing of the “H” logo in FIGS. 1, 2, 3, 9, and 10, and the broken line drawing of the volume indication lines and associated indicia in FIGS. 2, 4, 17, and 19, are for illustrative purposes only and form no part of the claimed design.

**1 Claim, 23 Drawing Sheets**



# US D588,160 S

Page 2

---

## U.S. PATENT DOCUMENTS

D394,268 S \* 5/1998 Evans et al. .... D15/7  
D445,804 S \* 7/2001 Tsai ..... D15/7 \* cited by examiner  
D533,880 S \* 12/2006 Chen ..... D15/7

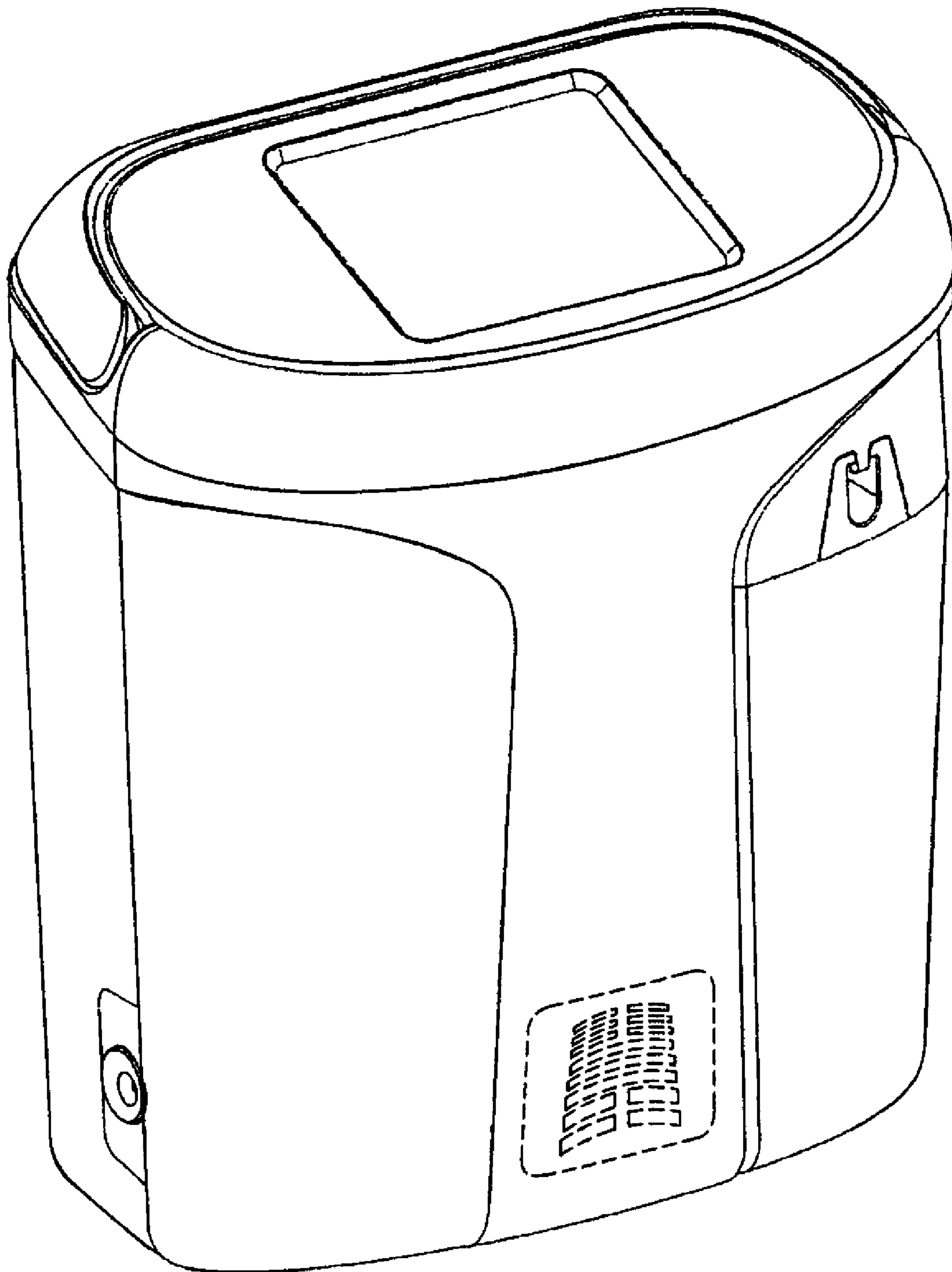


FIG. 1

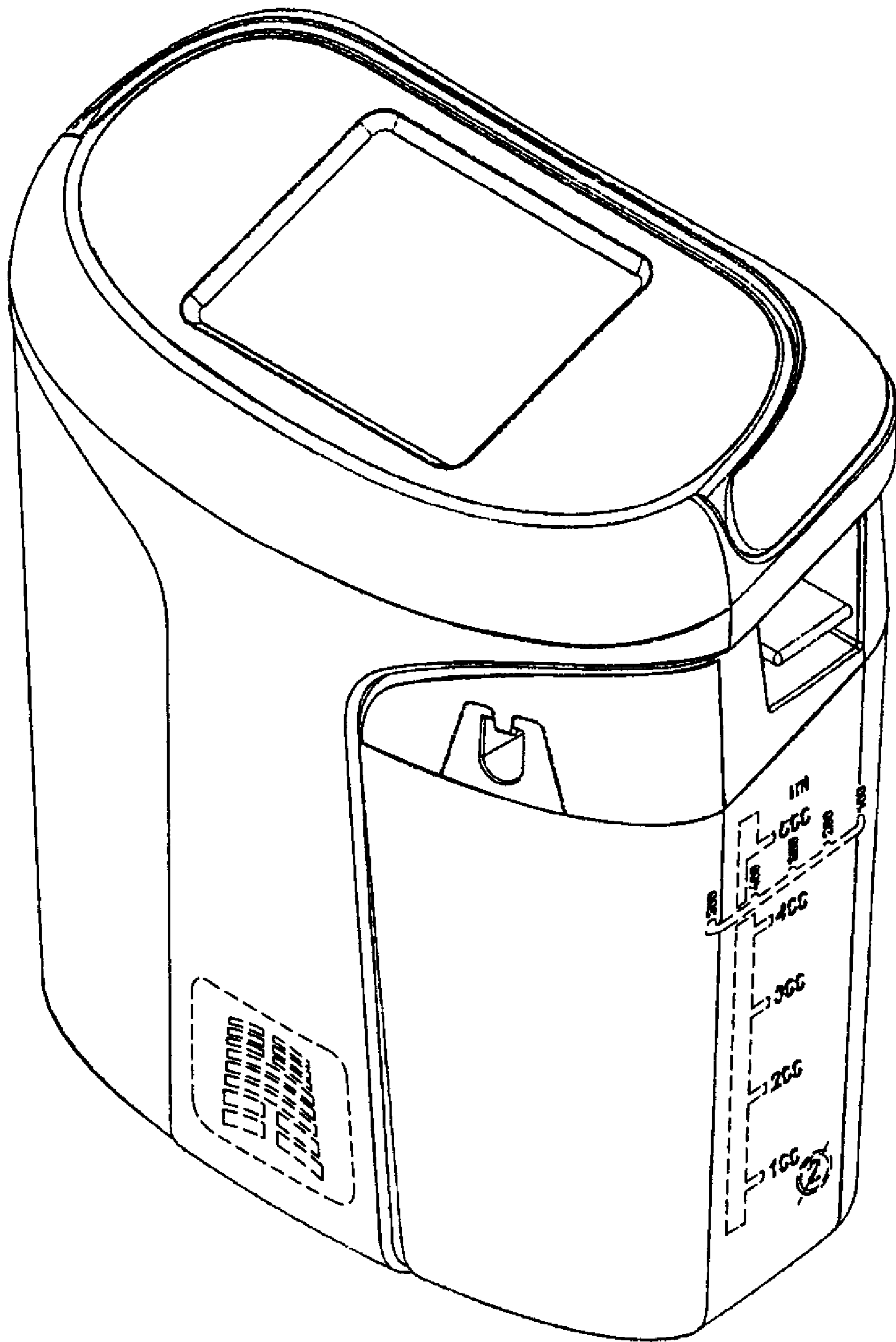


FIG. 2

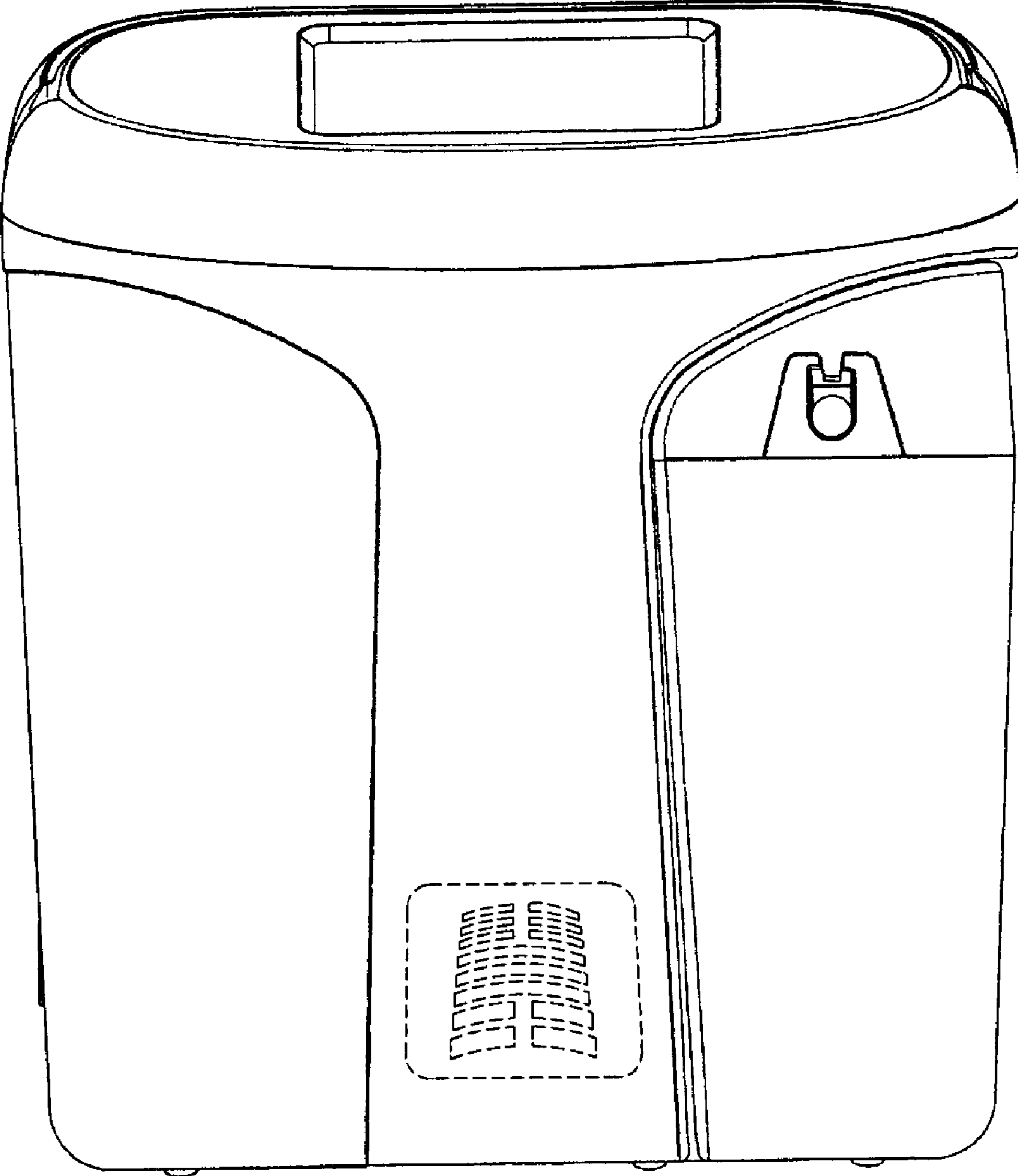


FIG. 3

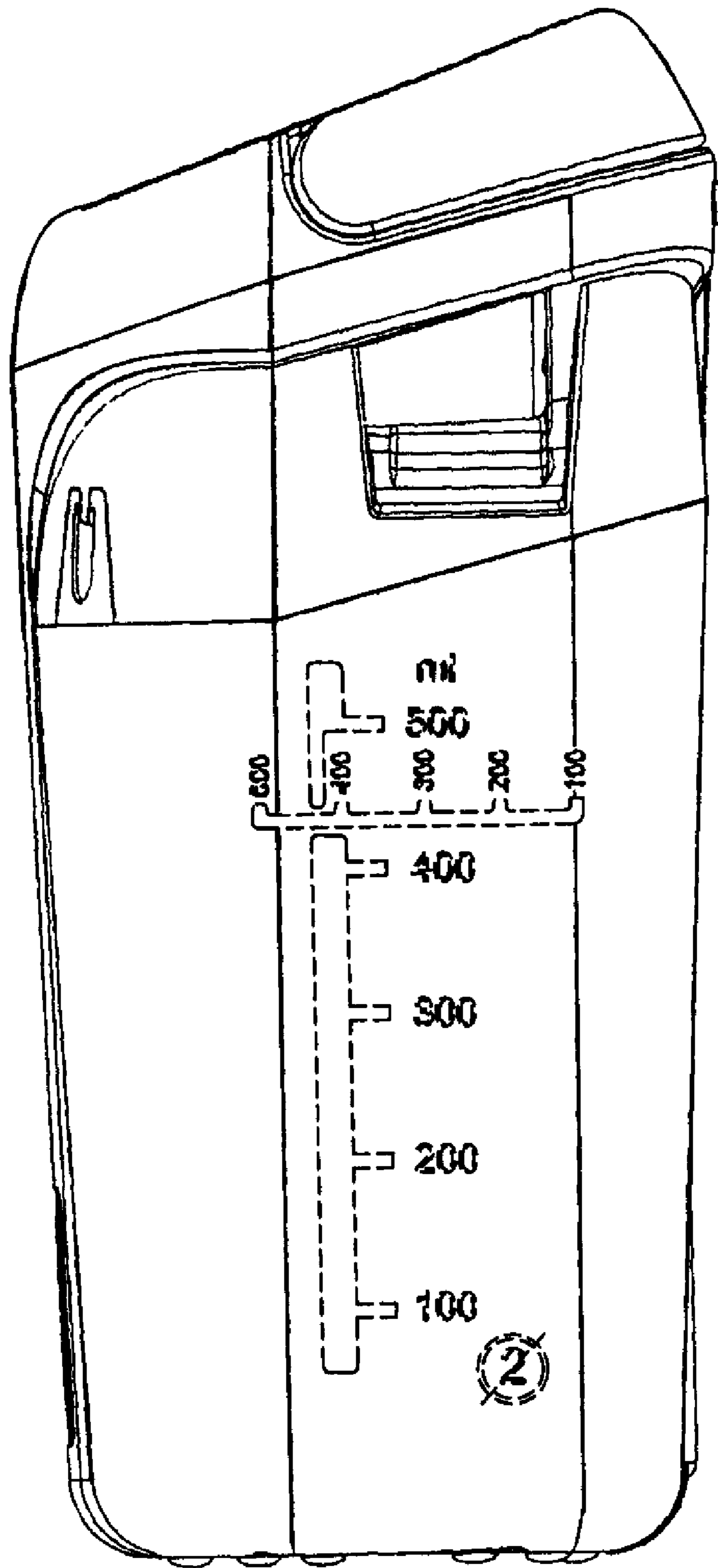


FIG. 4

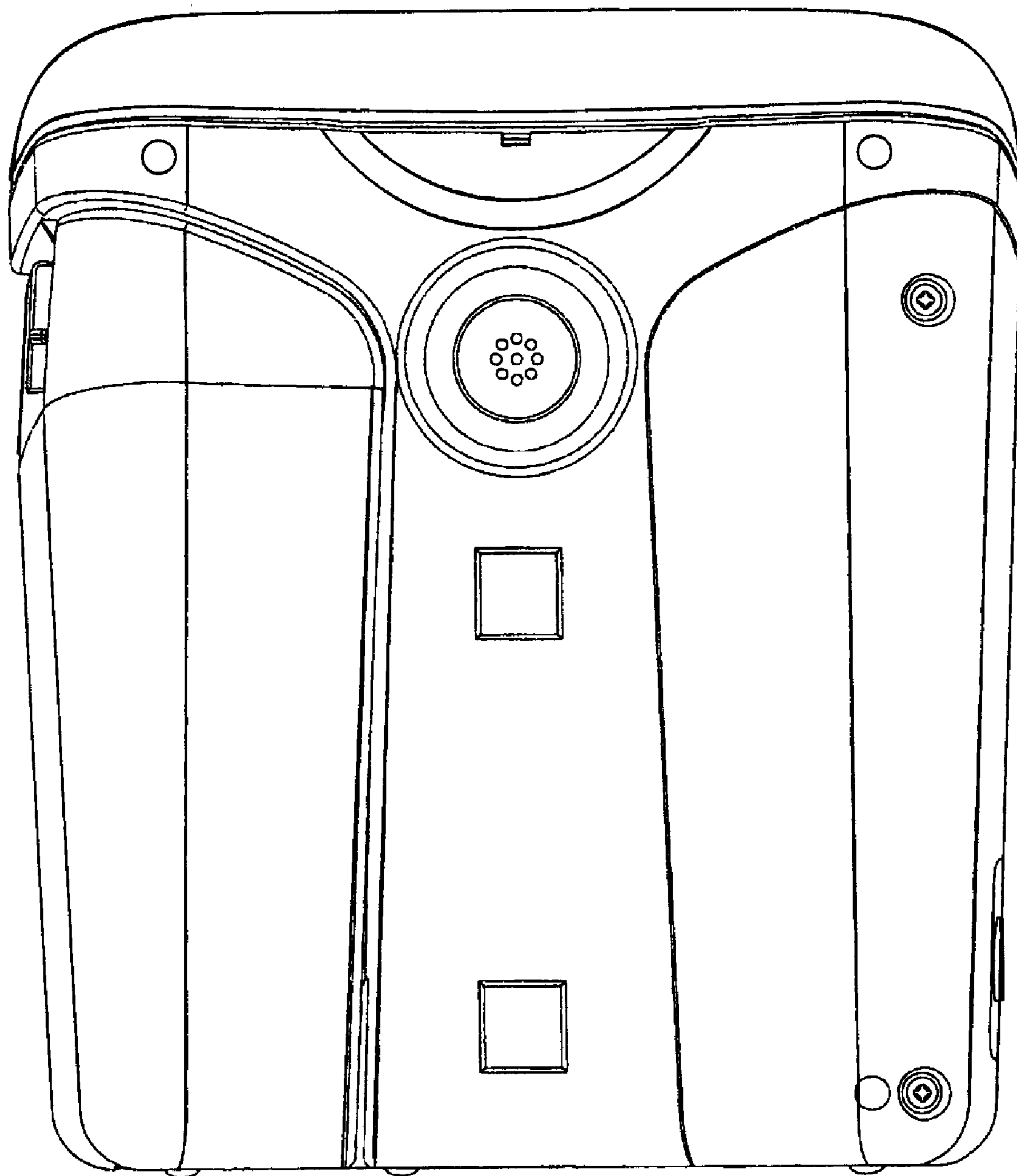


FIG. 5

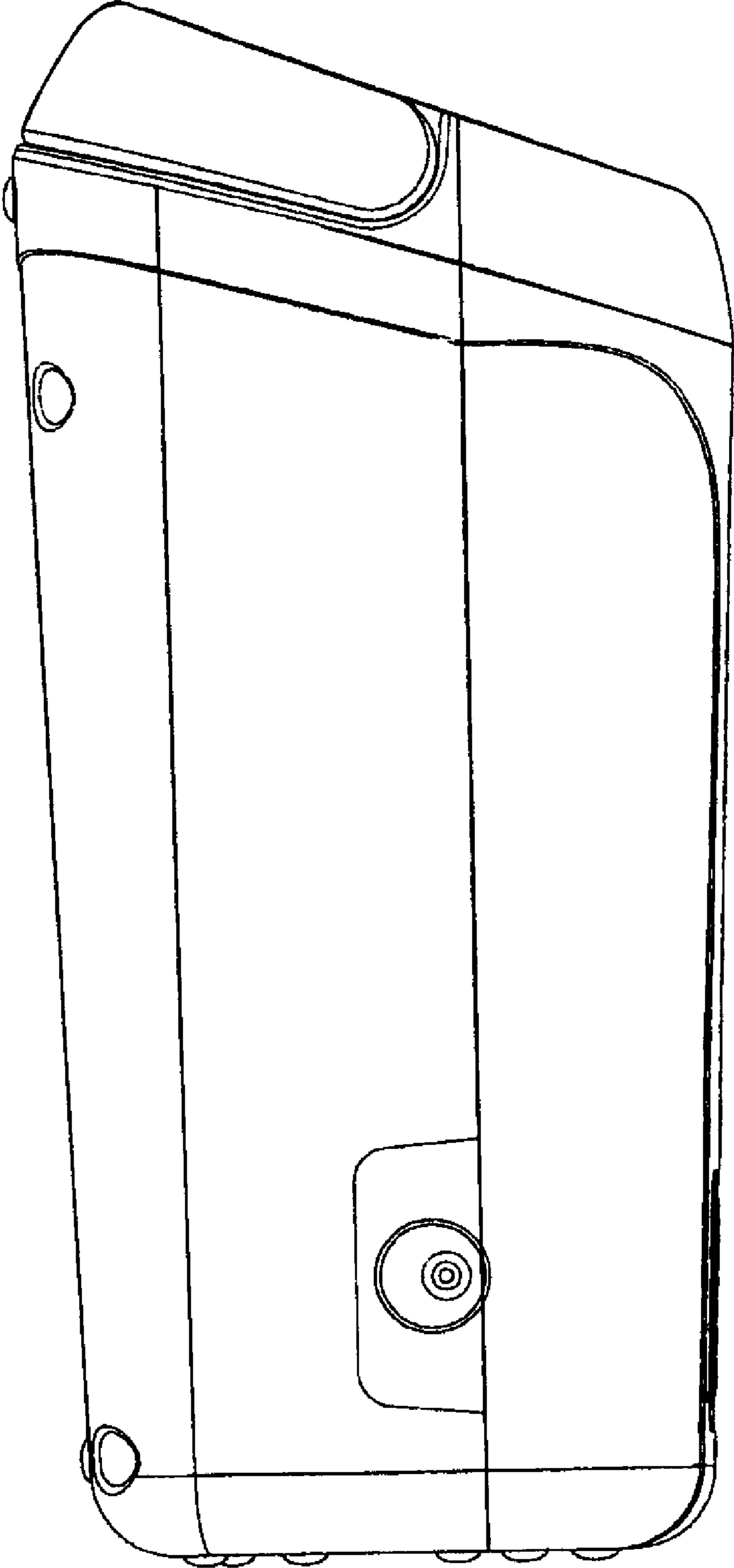


FIG. 6



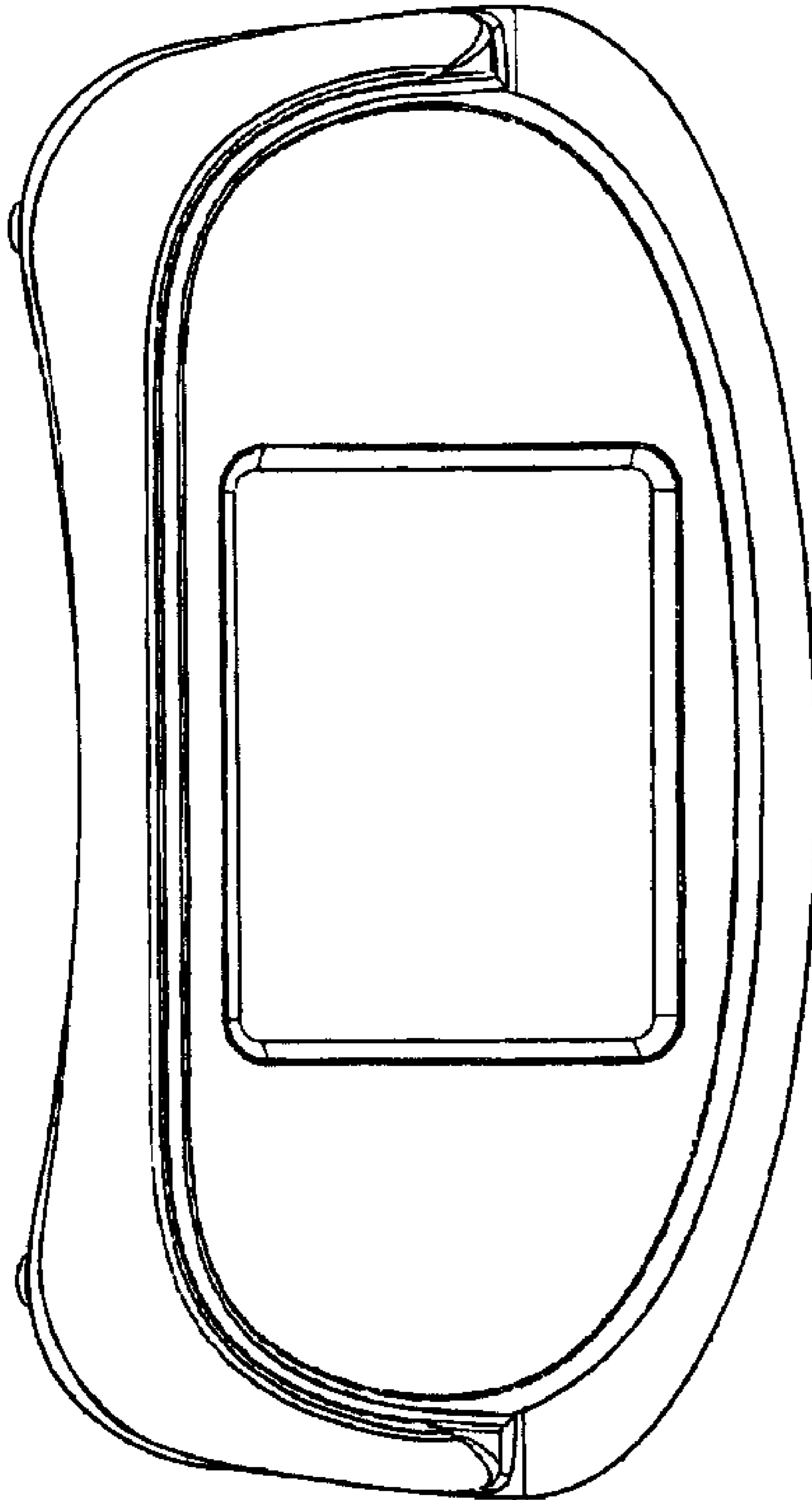


FIG. 7

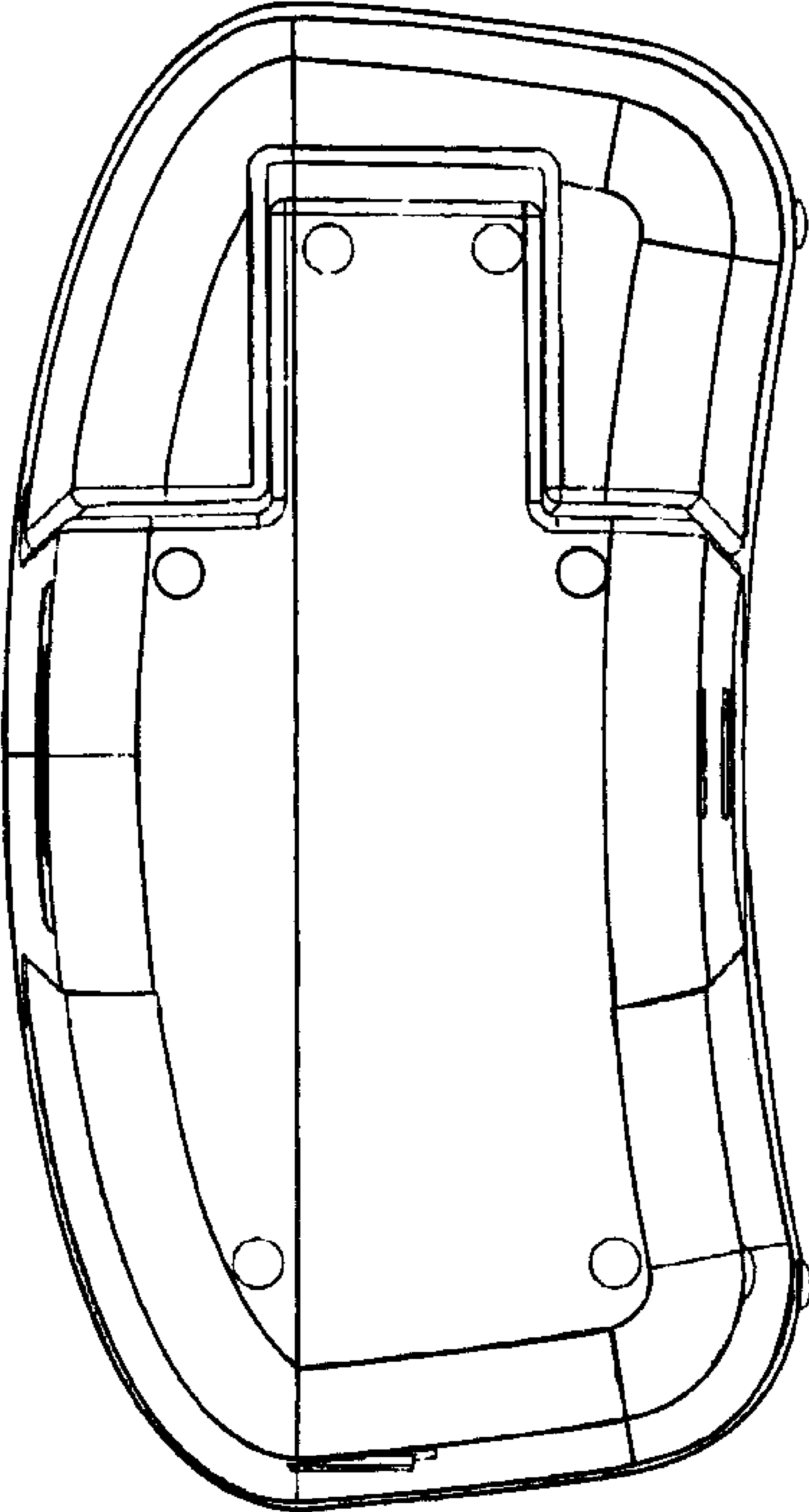


FIG. 8

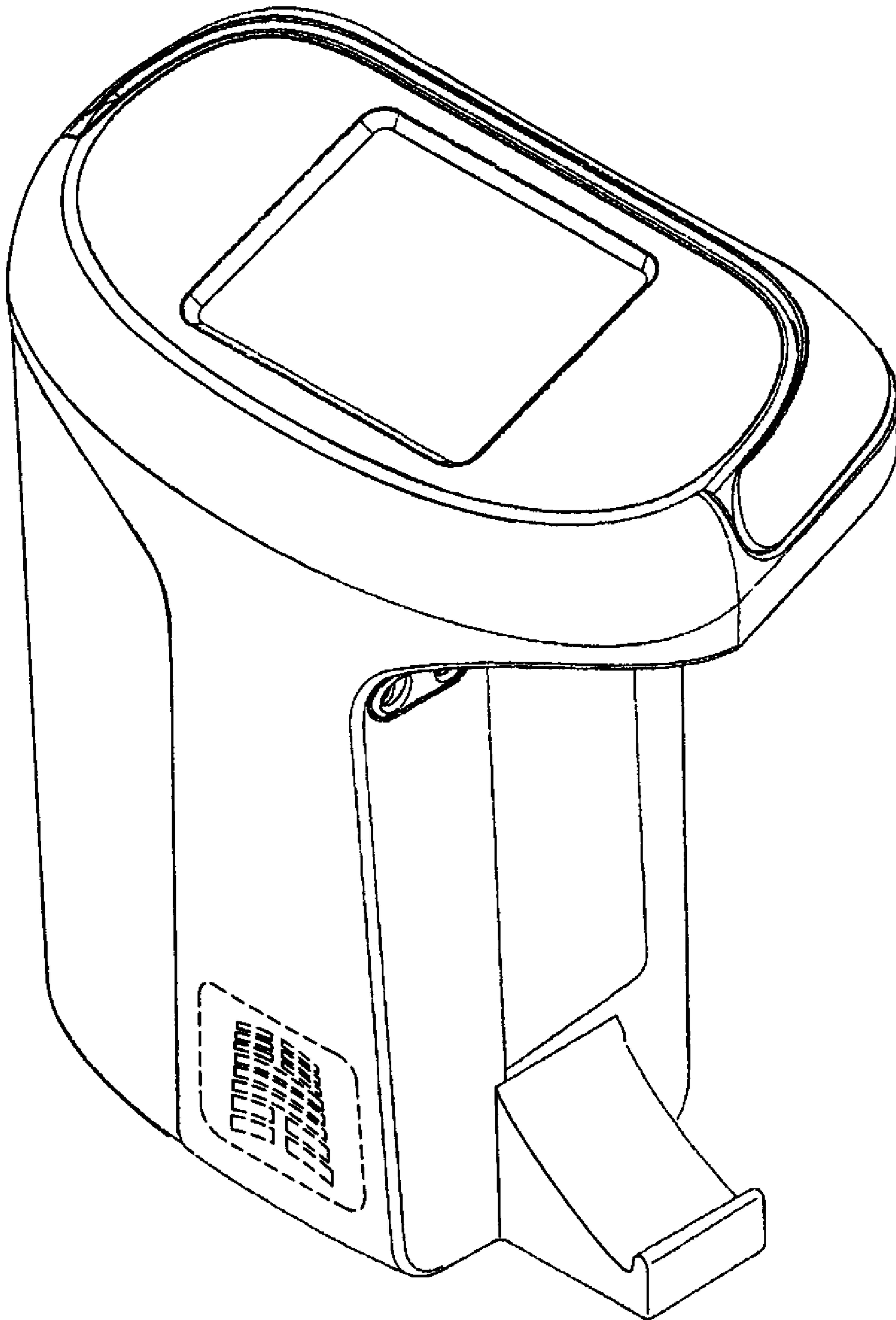


FIG. 9

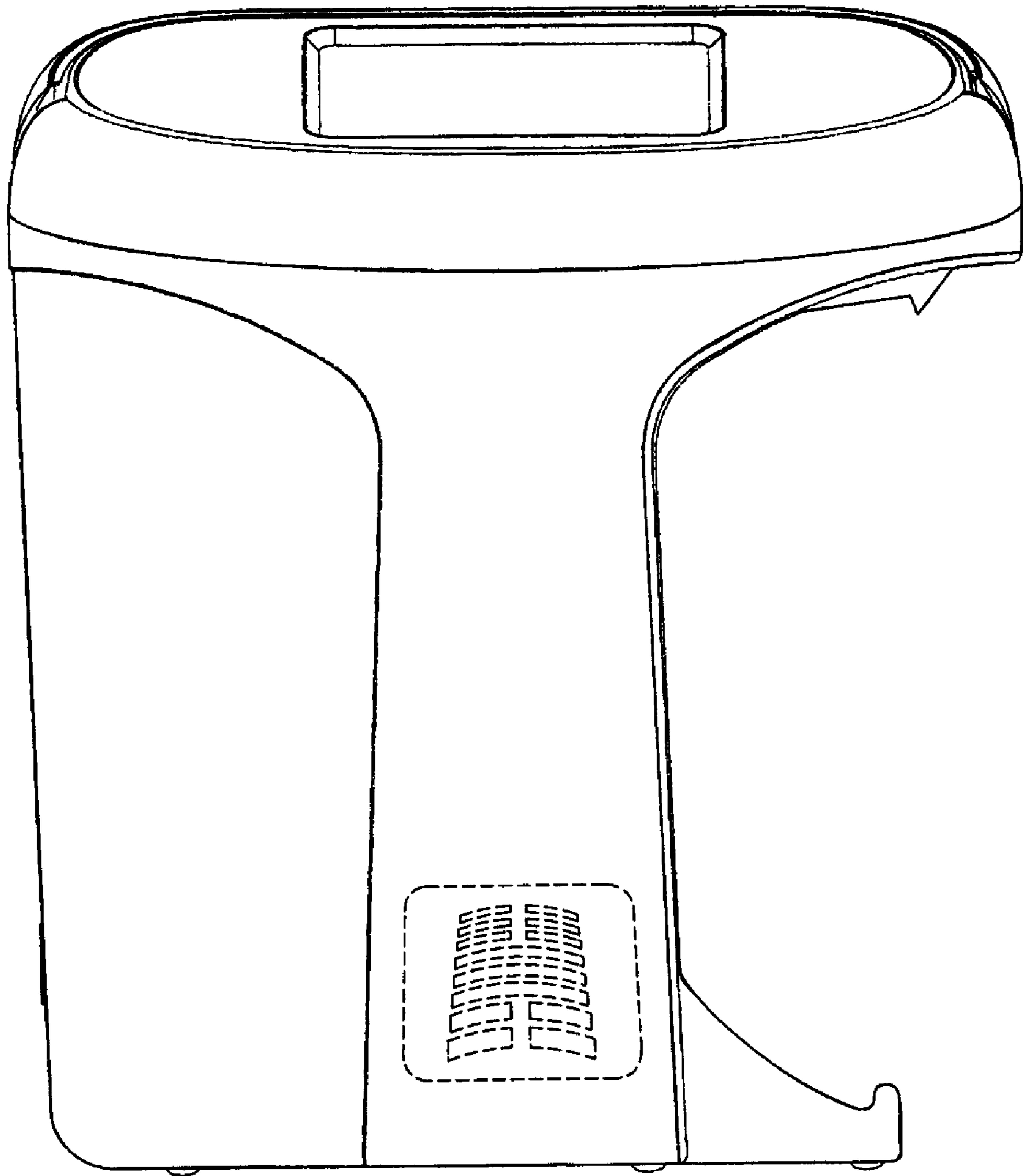


FIG. 10

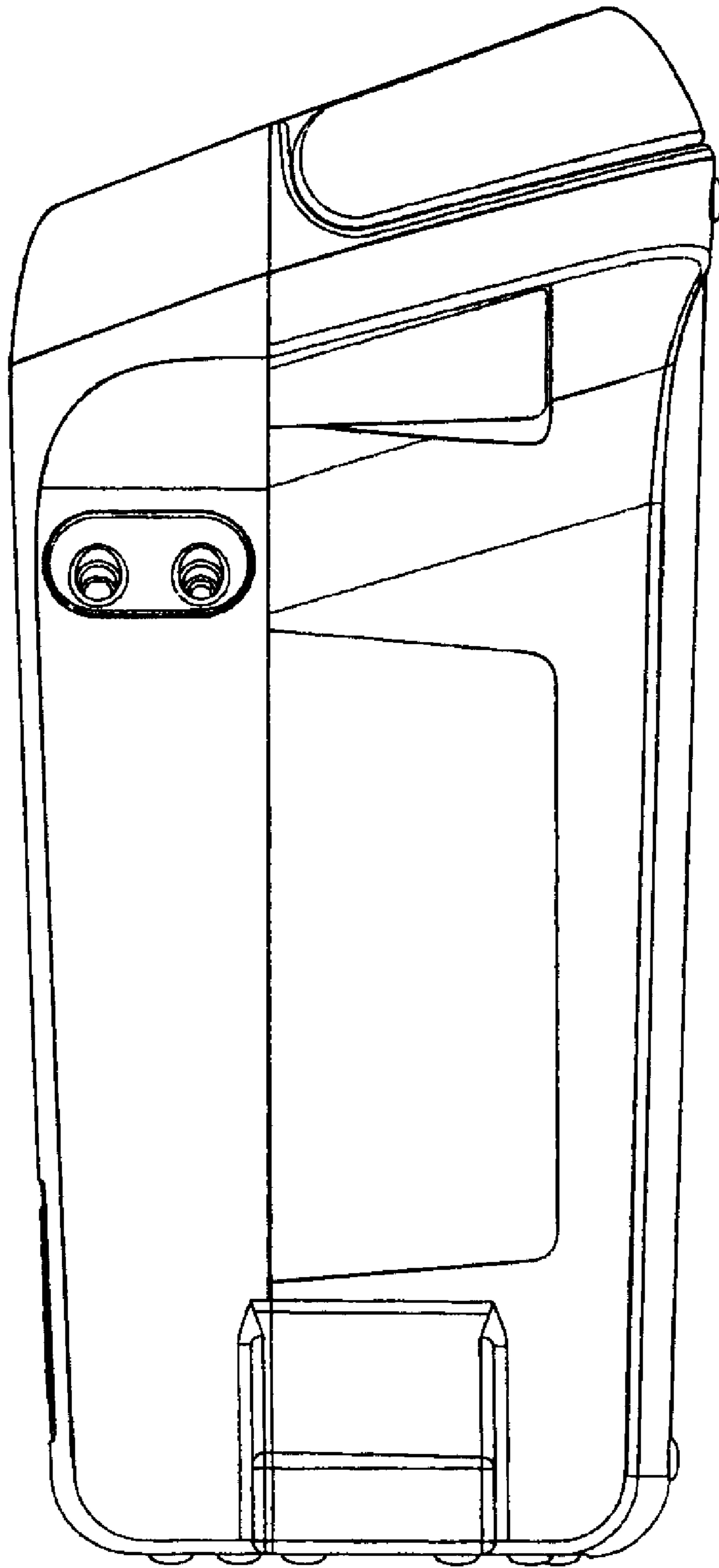


FIG. 11

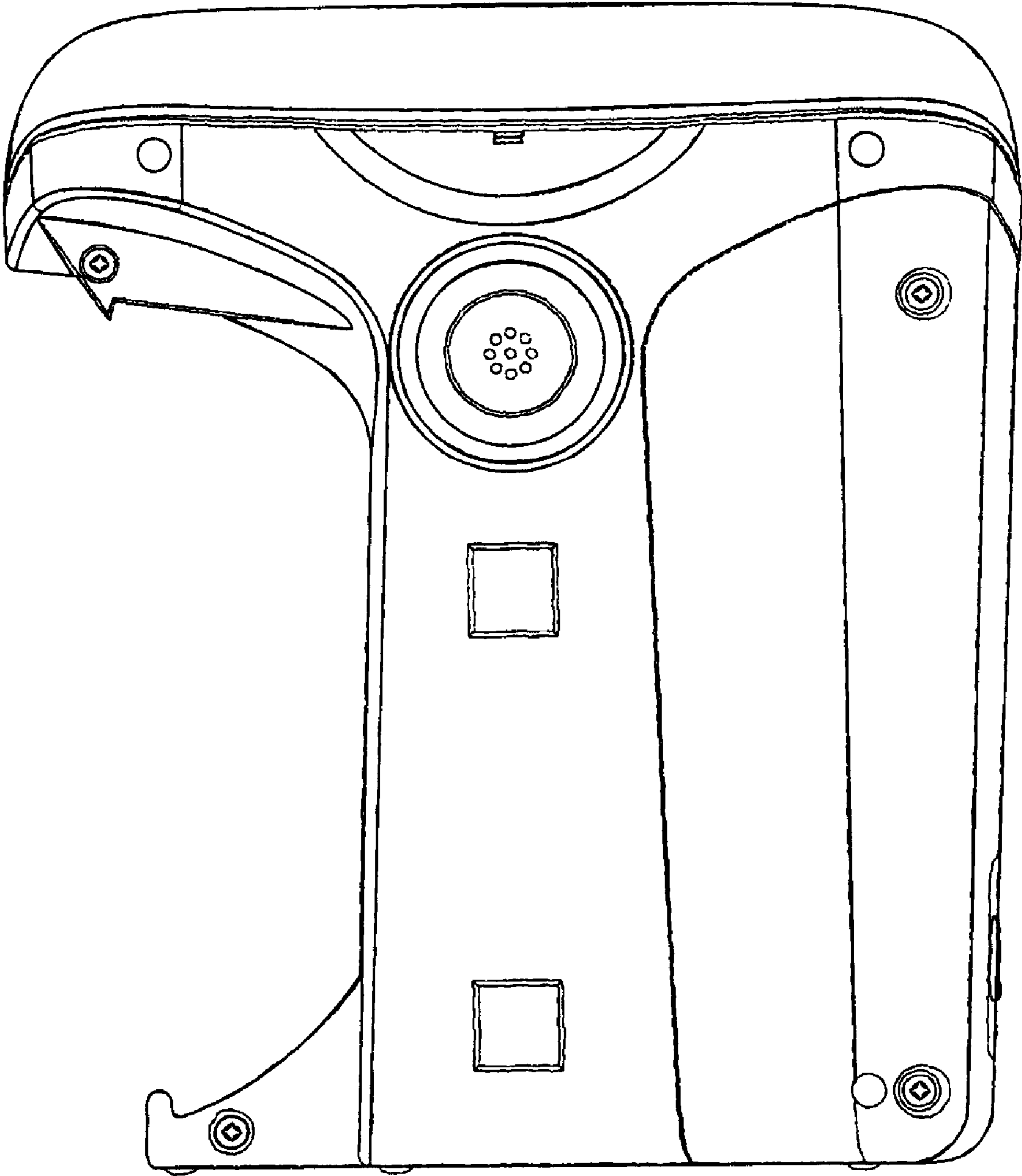


FIG. 12

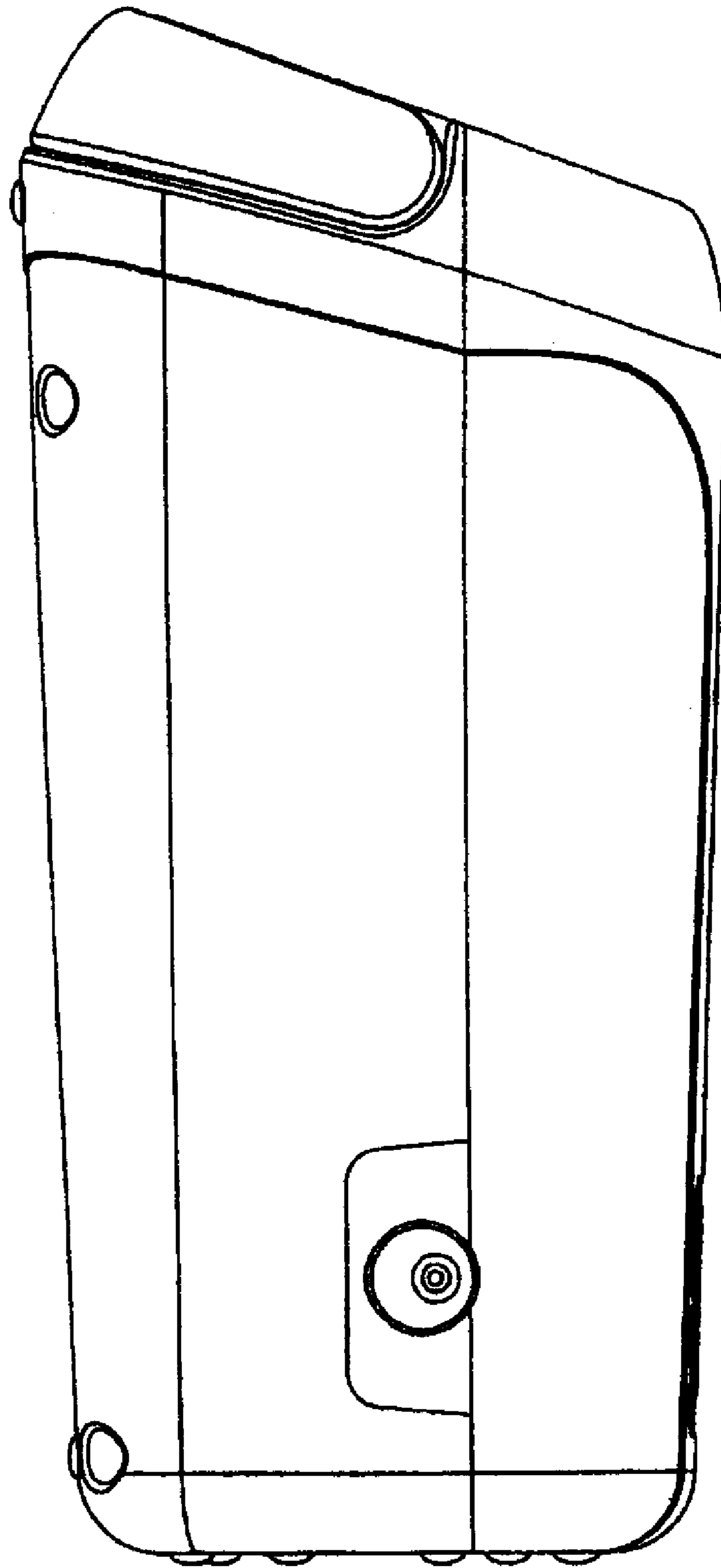


FIG. 13

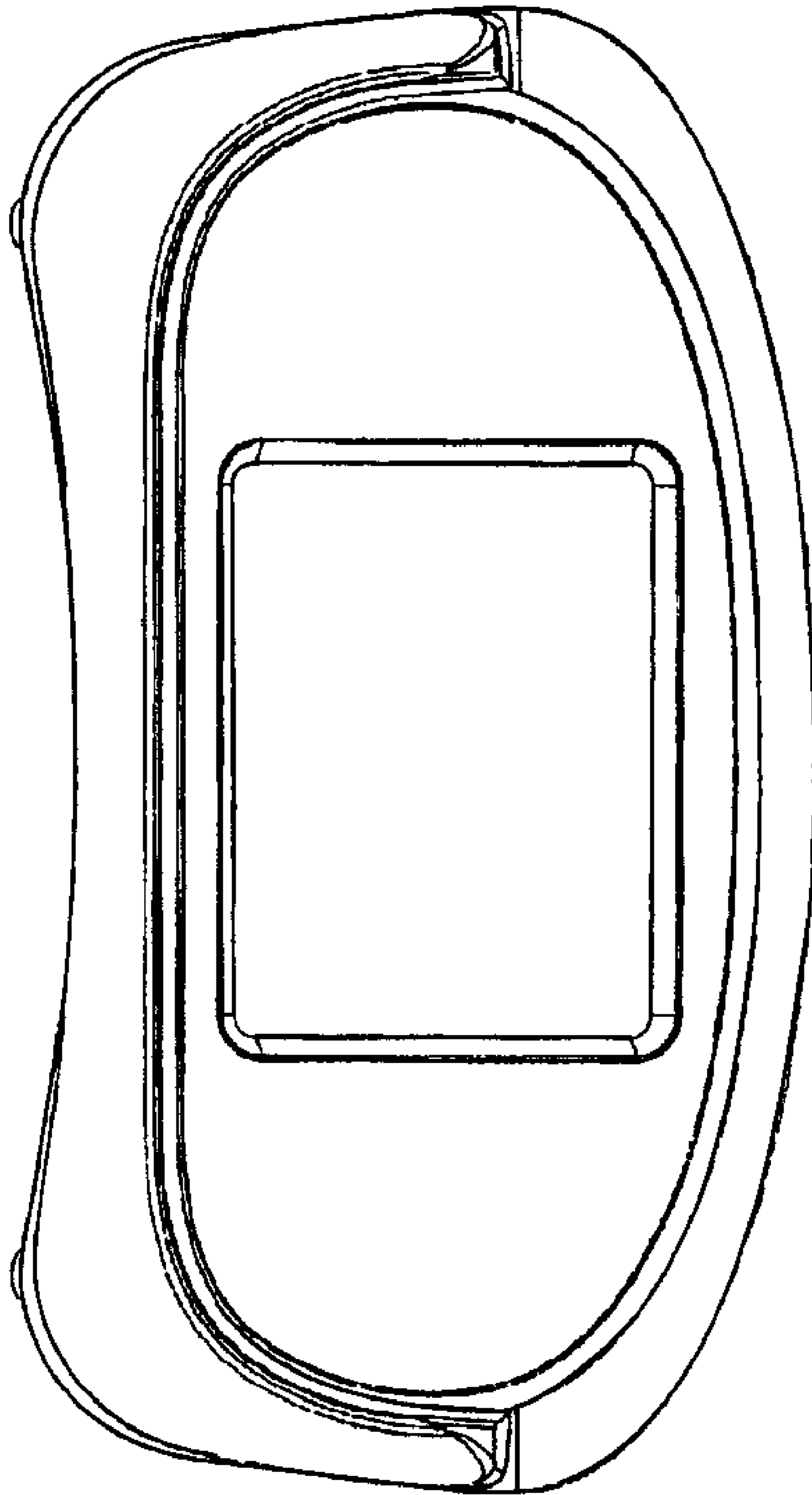


FIG. 14



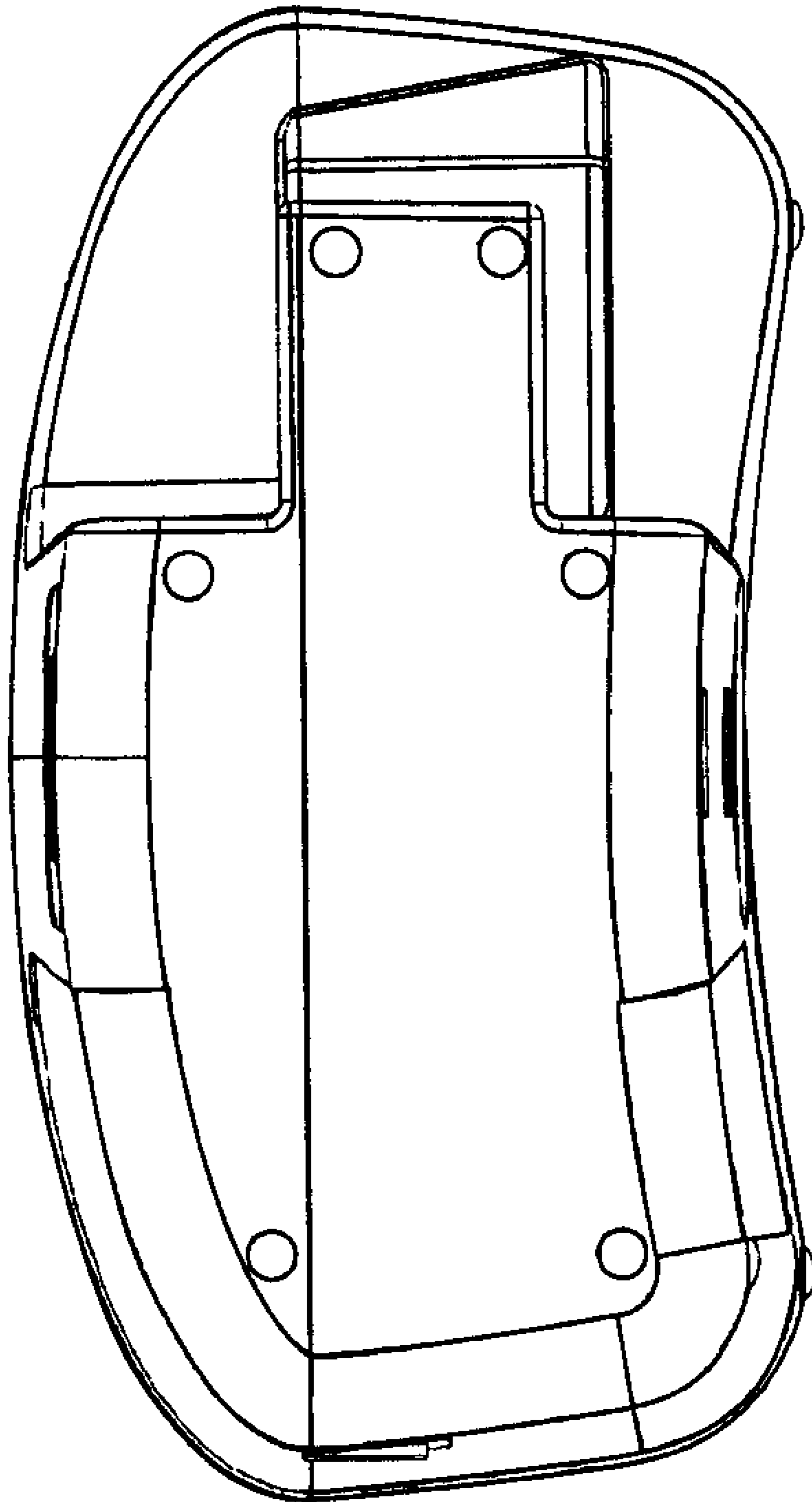


FIG. 15

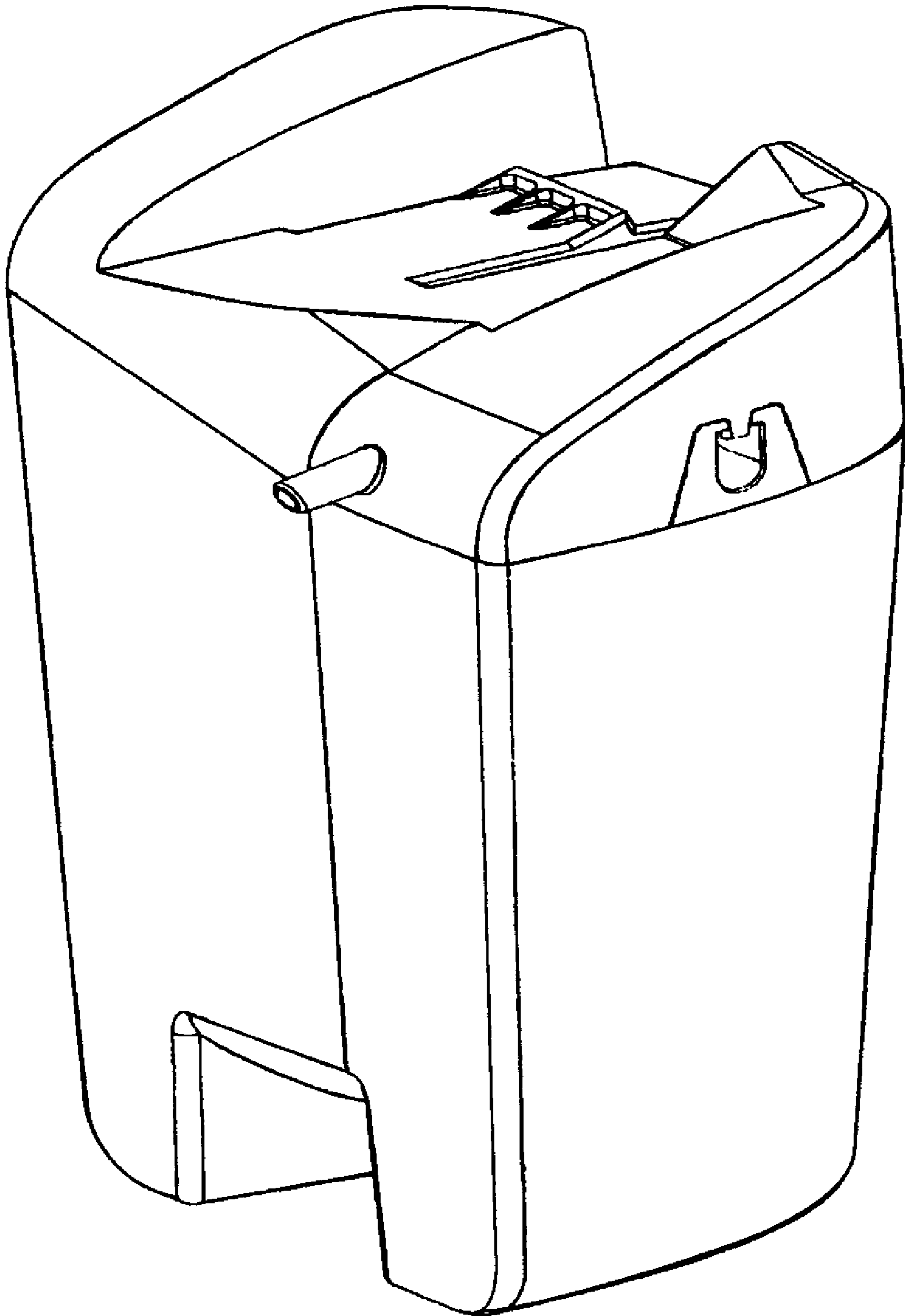


FIG. 16

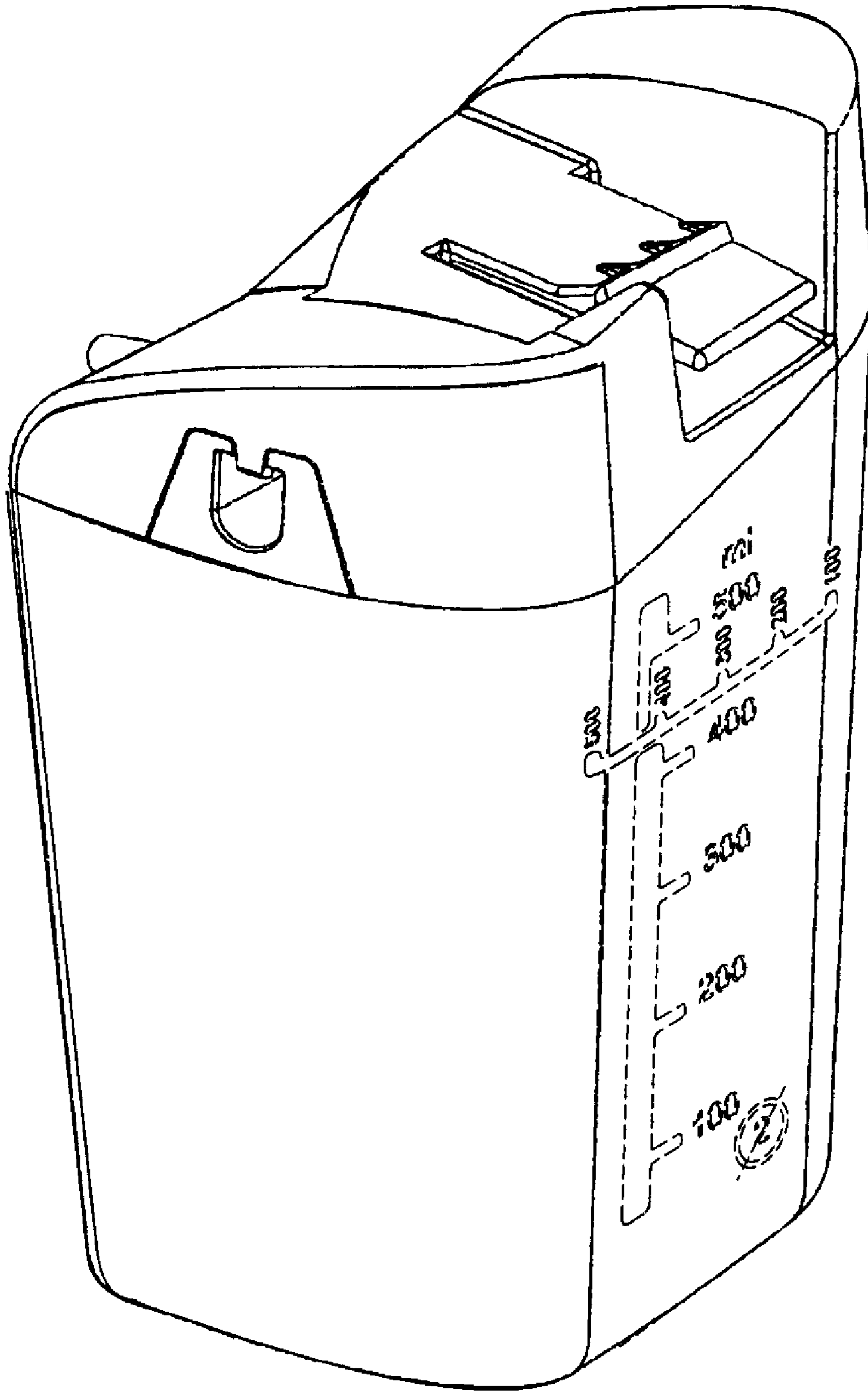


FIG. 17

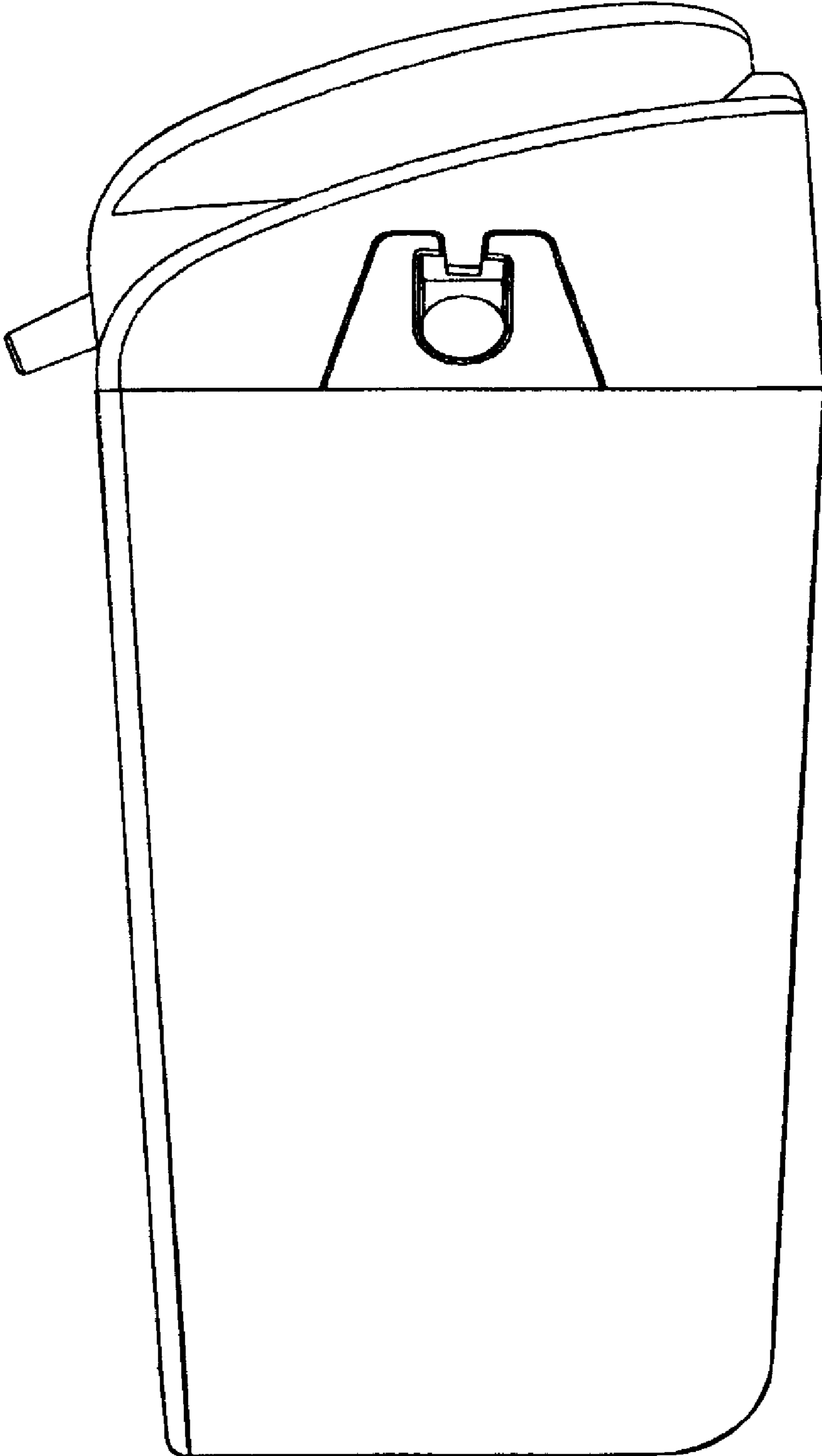


FIG. 18

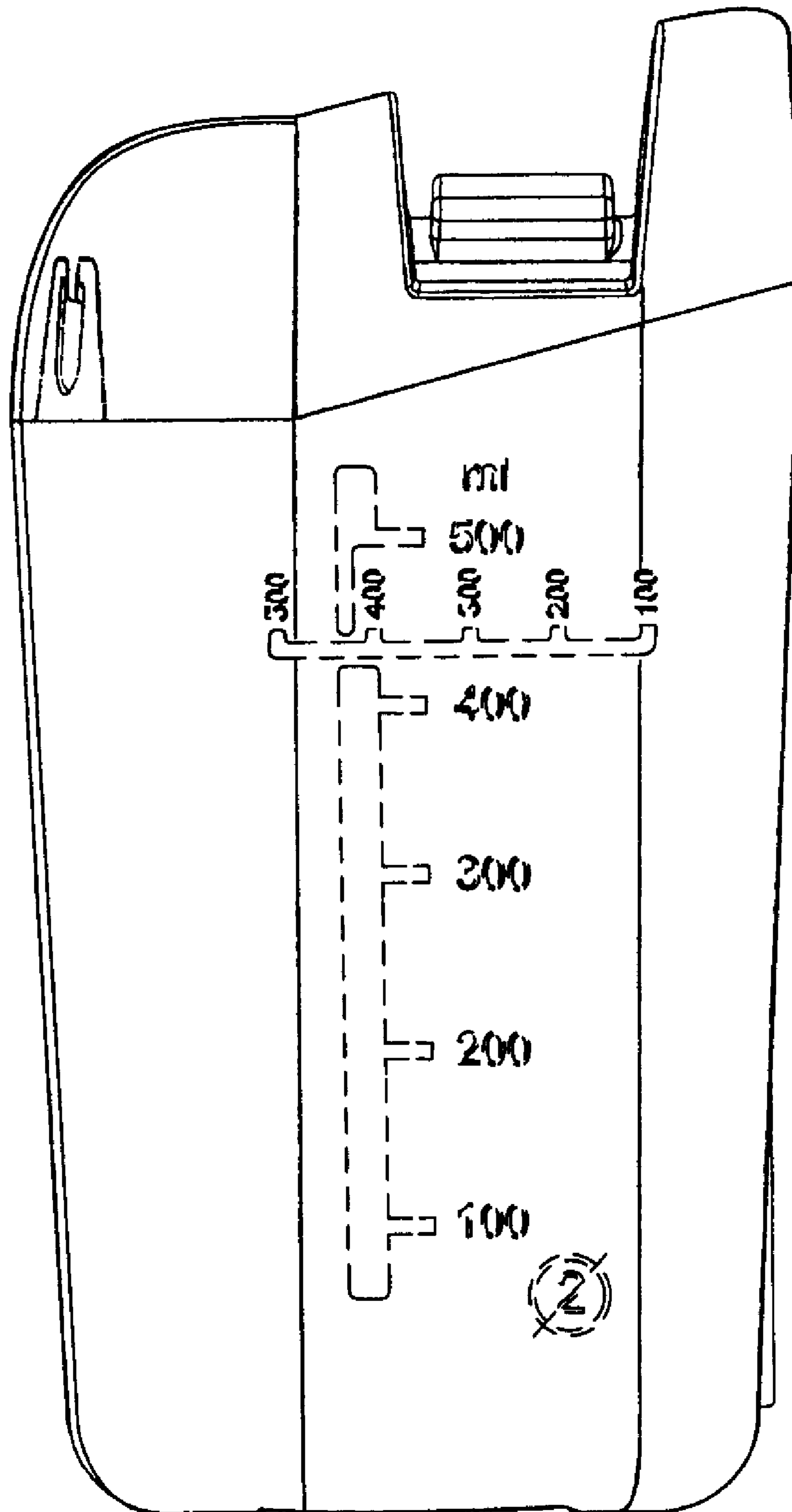


FIG. 19

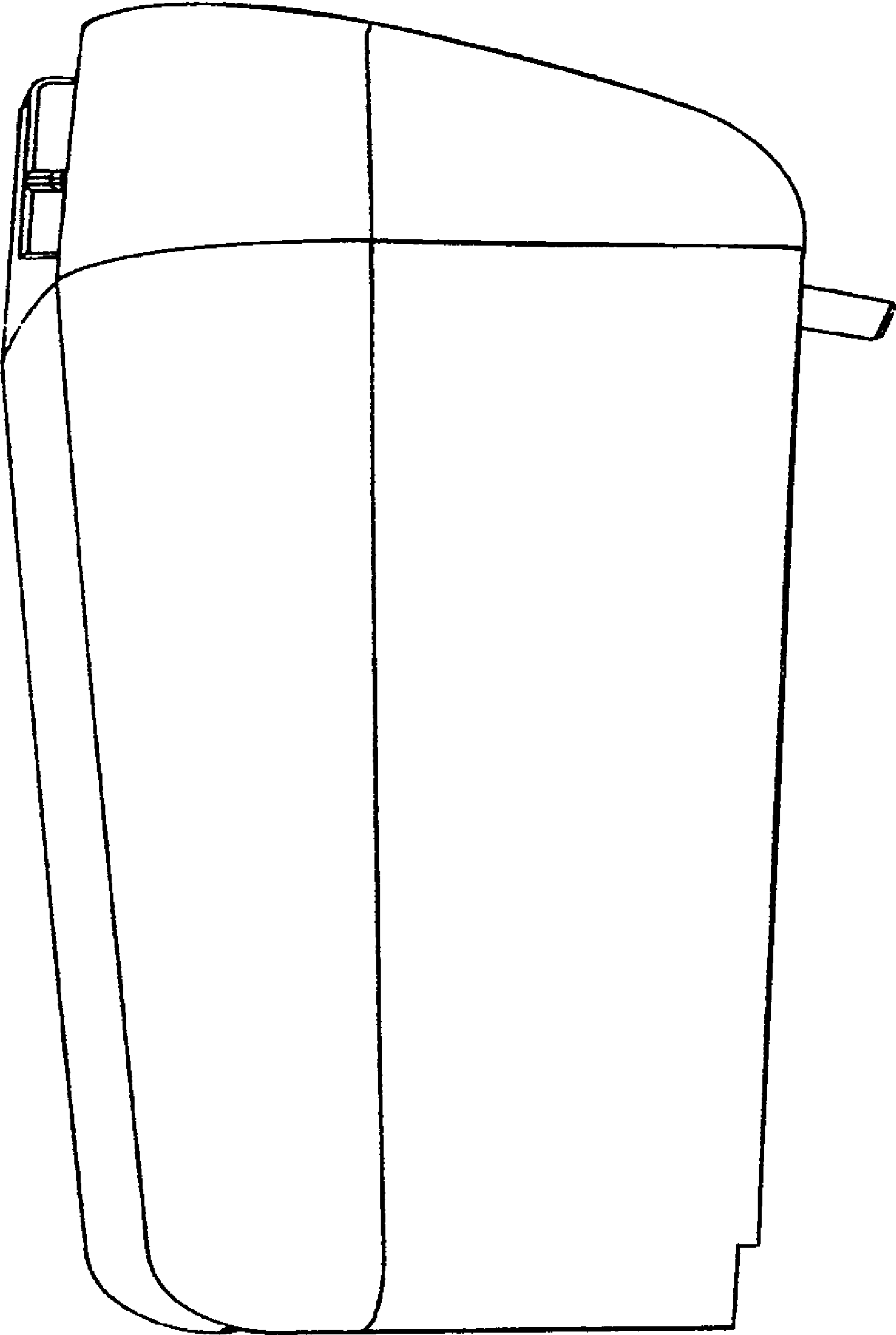


FIG. 20

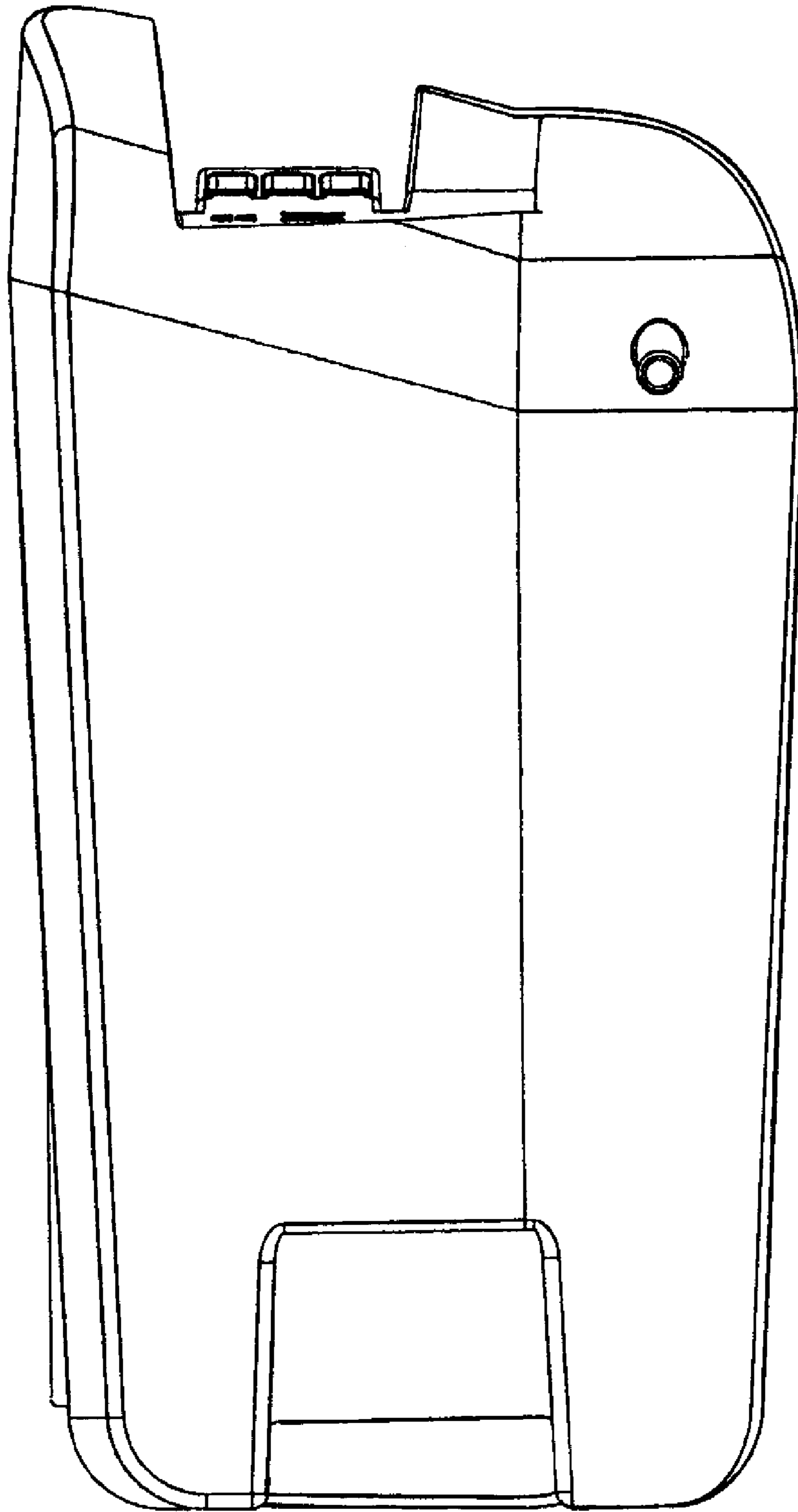


FIG. 21

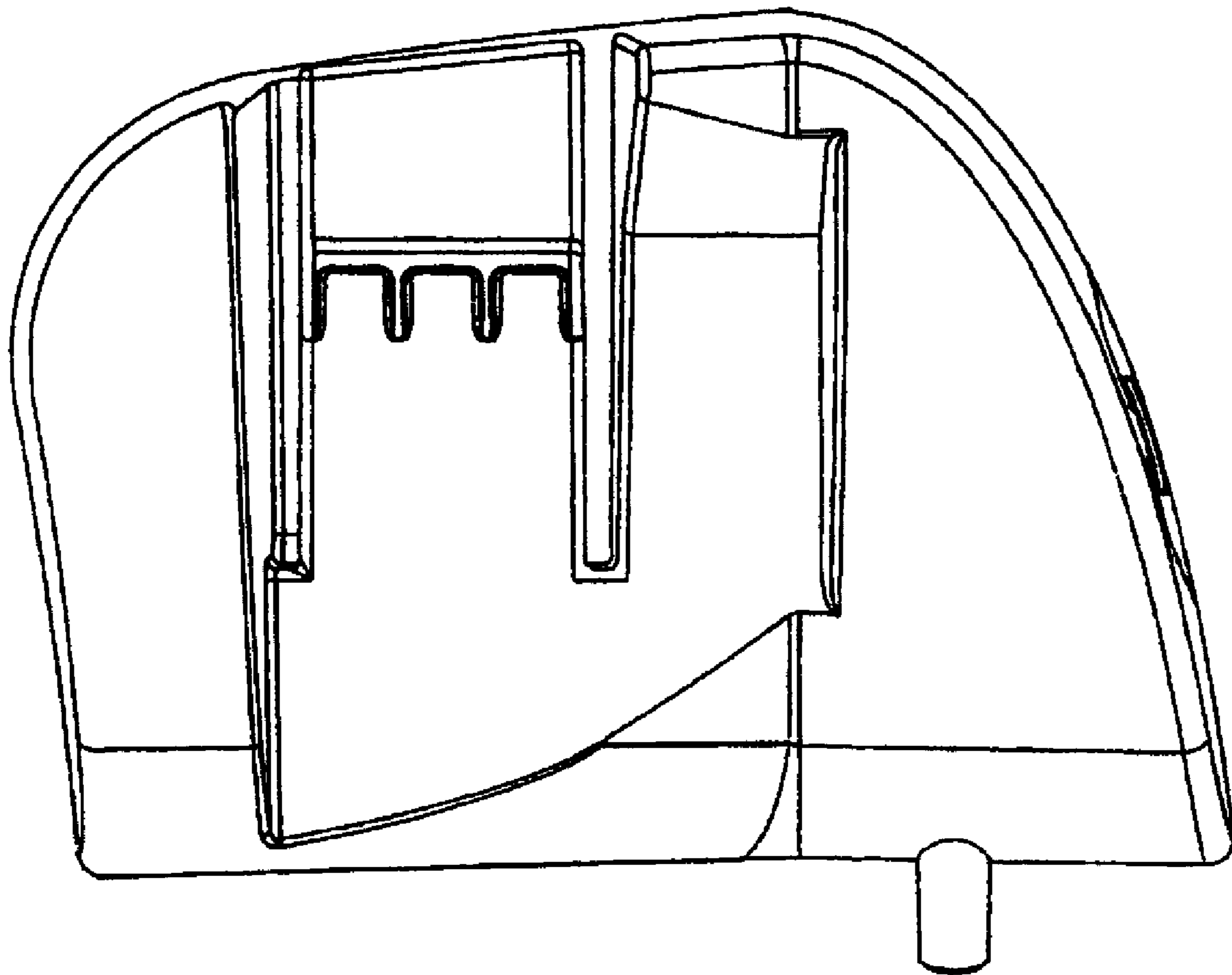


FIG. 22



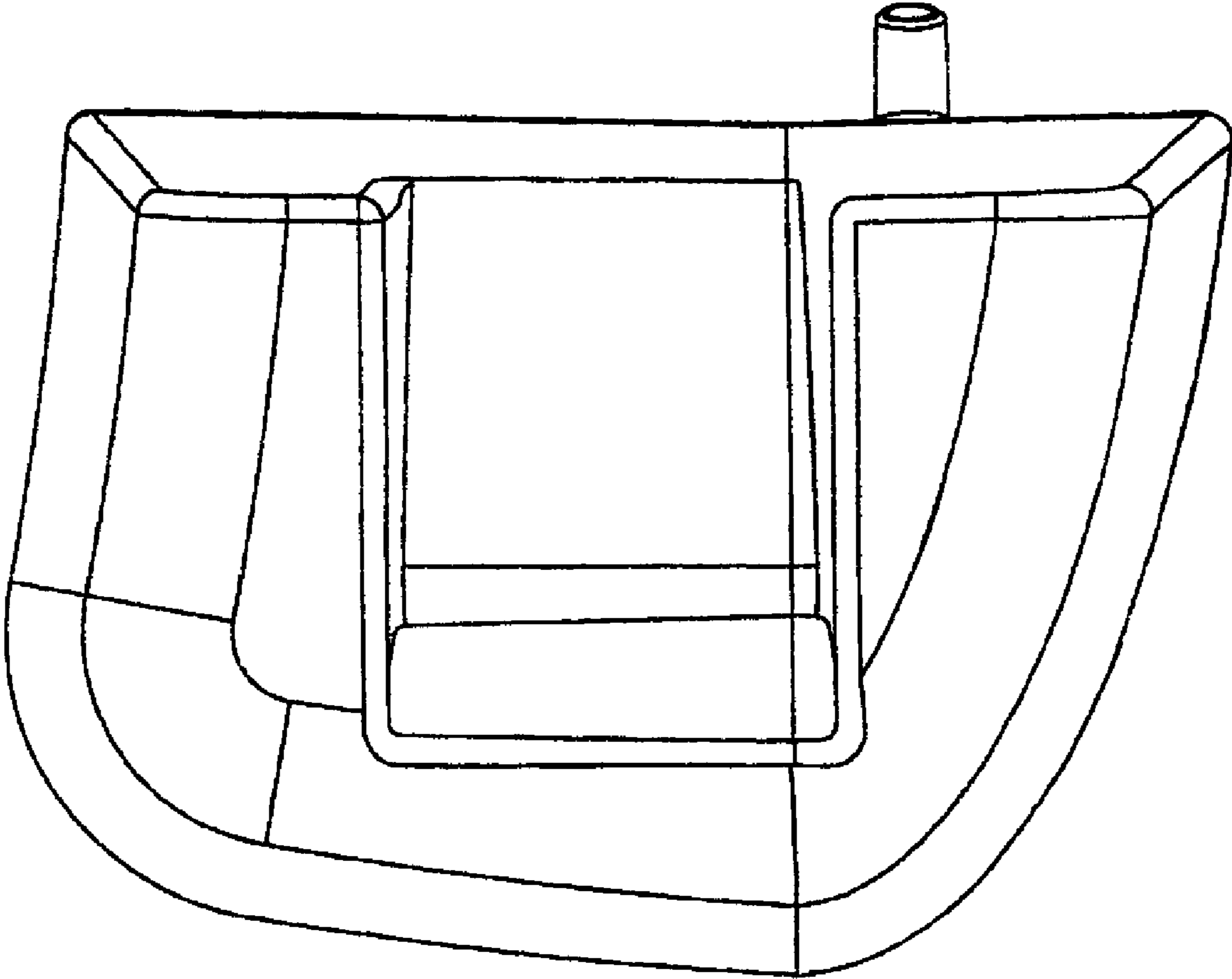


FIG. 23