



US00D588159S

(12) **United States Design Patent**
Griffin et al.

(10) **Patent No.:** **US D588,159 S**
(45) **Date of Patent:** **** Mar. 10, 2009**

(54) **COMBINED PUMP HOUSING AND PUMP CAP**

FOREIGN PATENT DOCUMENTS

(75) Inventors: **Ronald H. Griffin**, Boonville, NC (US);
John Griffin, Phoenix, AZ (US); **Gary Ortiz**, Clemmons, NC (US); **Joel Bowman**, Winston Salem, NC (US);
Dwayne Clark, Summerfield, NC (US);
Jeffrey Pecca, Hillsborough, NJ (US)

WO WO/00/68575 11/2000

OTHER PUBLICATIONS

(73) Assignee: **Hayward Industries, Inc.**, Elizabeth, NJ (US)

U.S. Appl. No. 11/904,426, Title: Pump Housing Coupling, filed Sep. 27, 2007, Inventor: Jason Parcell.

U.S. Appl. No. 29/302,023, Title: PUMP, Filed: January 9, 2008 (9 pages).

Sta-Rite® Owner's Manual for the Max-E-GlassII™ and Dura-Glass II™ Centrifugal Pumps with Integral Trap (2003) (19 pages).

Hayward Buyer's Guide and Parts Price List, effective Dec. 29, 2003 (4 pages).

(**) Term: **14 Years**

Primary Examiner—R. Seifert

(21) Appl. No.: **29/267,940**

(74) Attorney, Agent, or Firm—McCarter & English, LLP

(22) Filed: **Oct. 25, 2006**

(57) **CLAIM**

Related U.S. Application Data

The ornamental design for a combined pump housing and pump cap, as shown and described.

(63) Continuation-in-part of application No. 29/253,402, filed on Feb. 6, 2006, now Pat. No. Des. 551,256.

DESCRIPTION

(51) **LOC (9) Cl.** **15-02**

FIG. 1 is a left side perspective view of a combined pump housing and pump cap showing my new design;

(52) **U.S. Cl.** **D15/7**

FIG. 2 is a right perspective view;

(58) **Field of Classification Search** D15/7-9;
D23/231, 232; 417/410.1, 359, 415-416,
417/234, 321, 265, 405

FIG. 3 is a left elevational view;

See application file for complete search history.

FIG. 4 is a right elevational view;

(56) **References Cited**

FIG. 5 is a top plan view;

U.S. PATENT DOCUMENTS

FIG. 6 is a bottom plan view;

D131,875 S 3/1942 Houston et al.

FIG. 7 is a front elevational view;

3,966,363 A 6/1976 Rowley et al.

FIG. 8 is a rear elevational view; and,

4,269,557 A 5/1981 Kidd

FIG. 9 is a left perspective view of the pump cap, it being understood that the body of the pump has been removed for ease of illustration.

4,629,557 A 12/1986 Tobias

D299,143 S 12/1988 Hazlehurst

D419,567 S 1/2000 Weiss

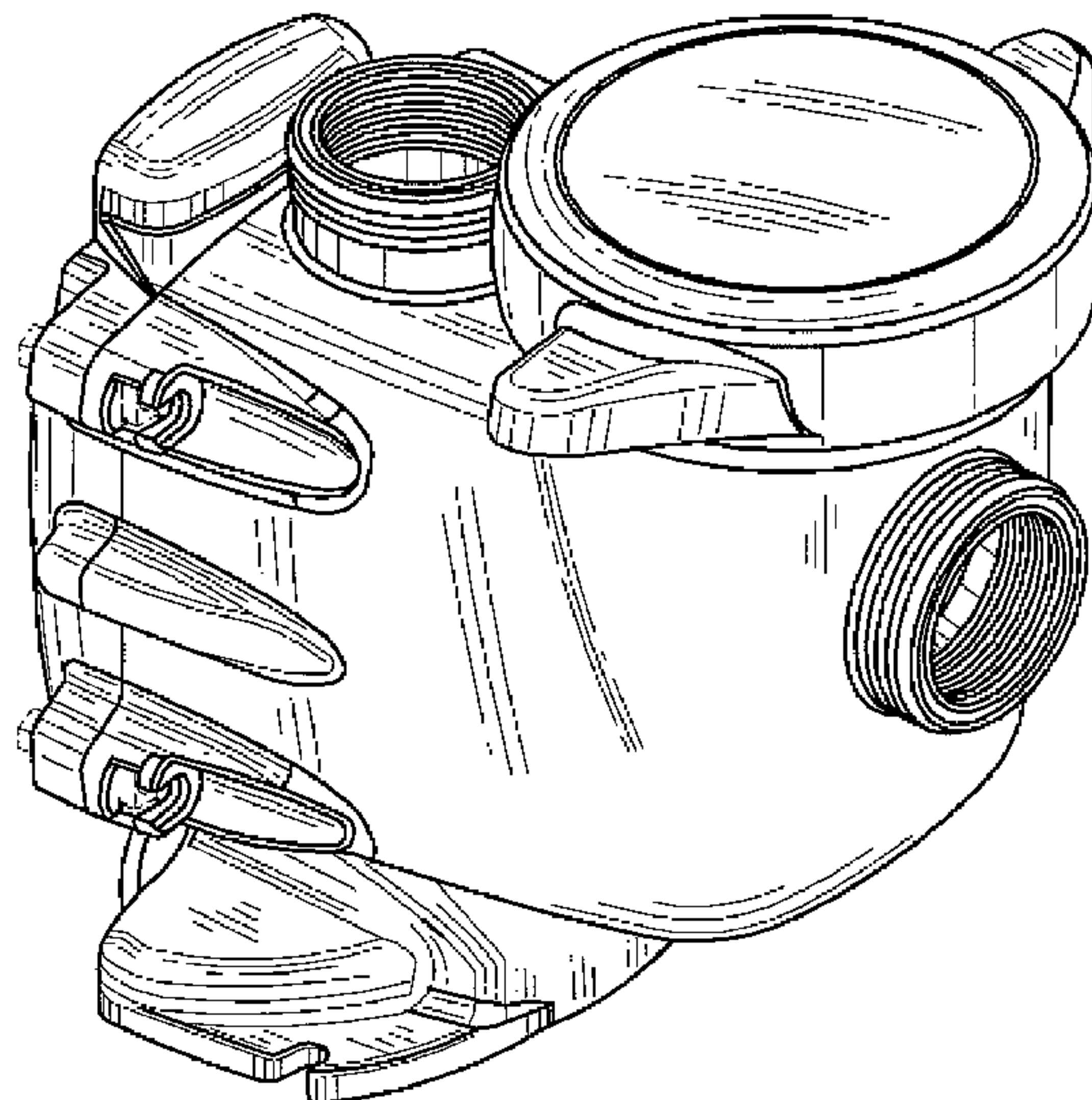
D425,911 S 5/2000 Fleischer et al.

D450,327 S 11/2001 Mori et al.

The broken lines shown in the figures are for illustrative purposes only, and form no part of the claimed design.

(Continued)

1 Claim, 5 Drawing Sheets



US D588,159 S

Page 2

U.S. PATENT DOCUMENTS

D466,522 S	12/2002	Huang	D536,705 S	2/2007	Griffin et al.	
6,623,245 B2	9/2003	Meza et al.	D551,256 S *	9/2007	Pecca et al.	D15/7
D507,579 S	7/2005	Rossman et al.	D568,340 S	5/2008	Stiles, Jr. et al.	
6,974,303 B2	12/2005	Wang	2005/0158194 A1	7/2005	Sloan et al.	
7,001,159 B2	2/2006	Peterson, Jr. et al.	2007/0114162 A1	5/2007	Stiles et al.	
D517,570 S	3/2006	Stiles et al.	2007/0114168 A1	5/2007	Hazlehurst	

* cited by examiner

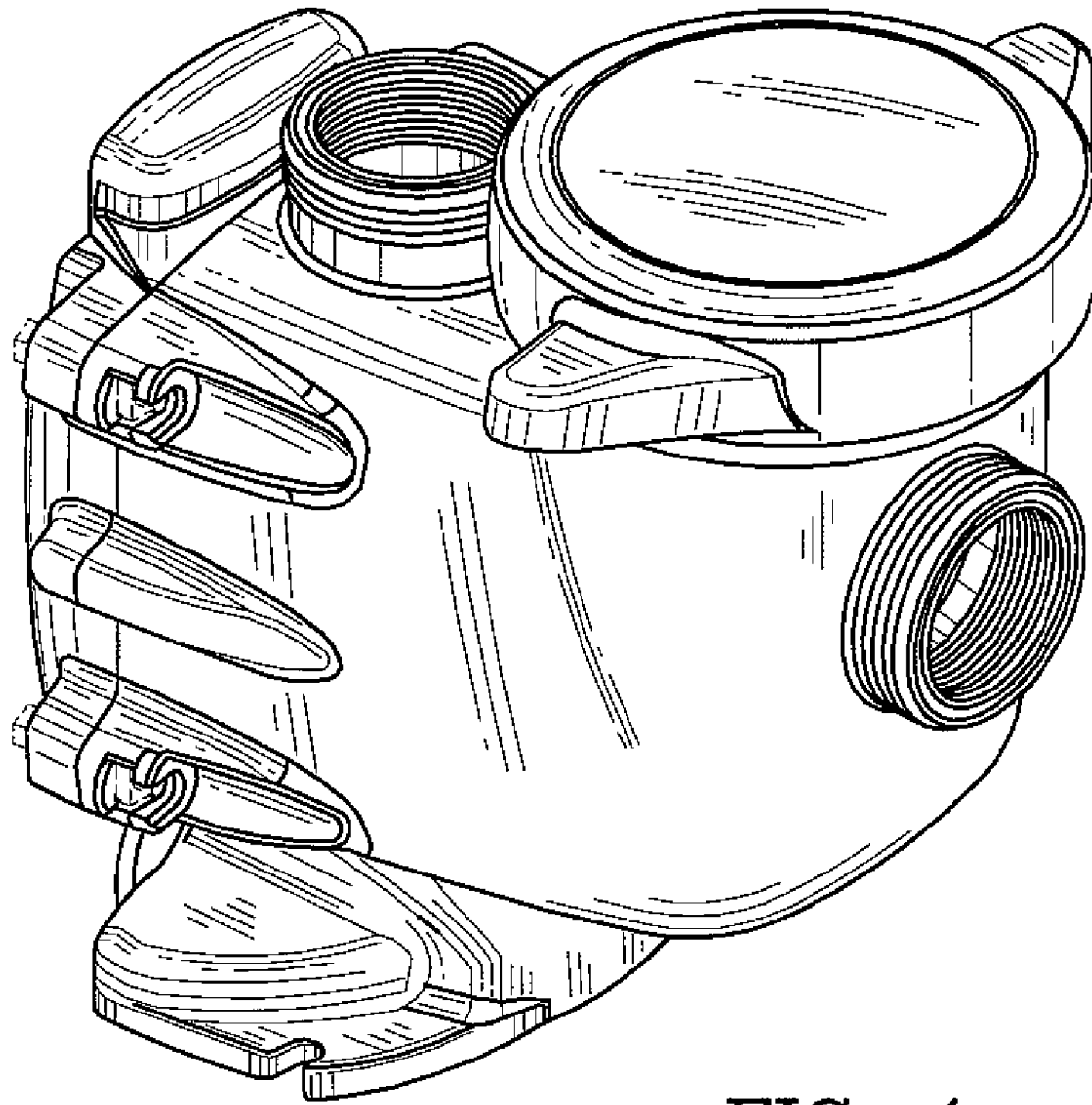


FIG. 1

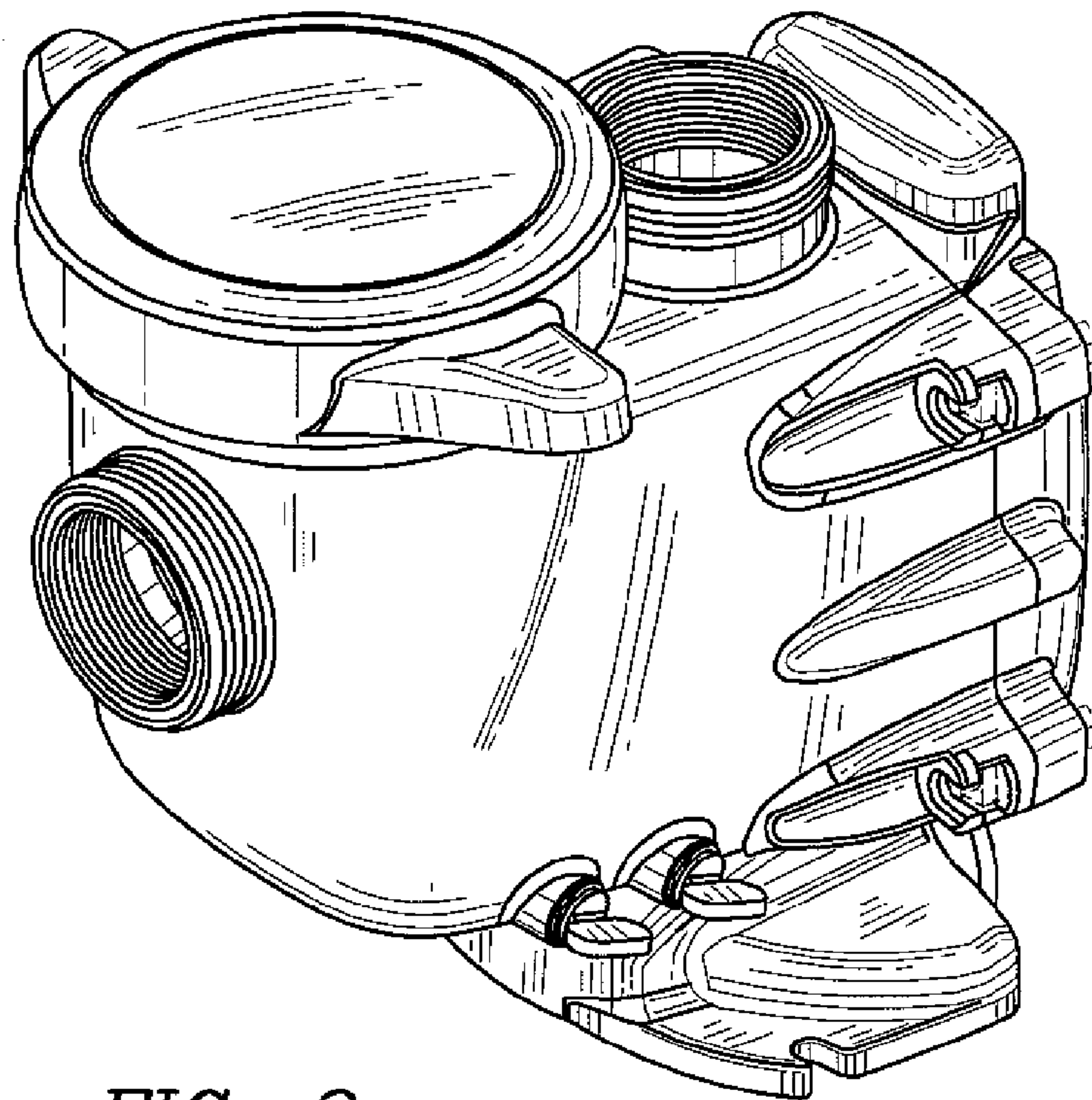
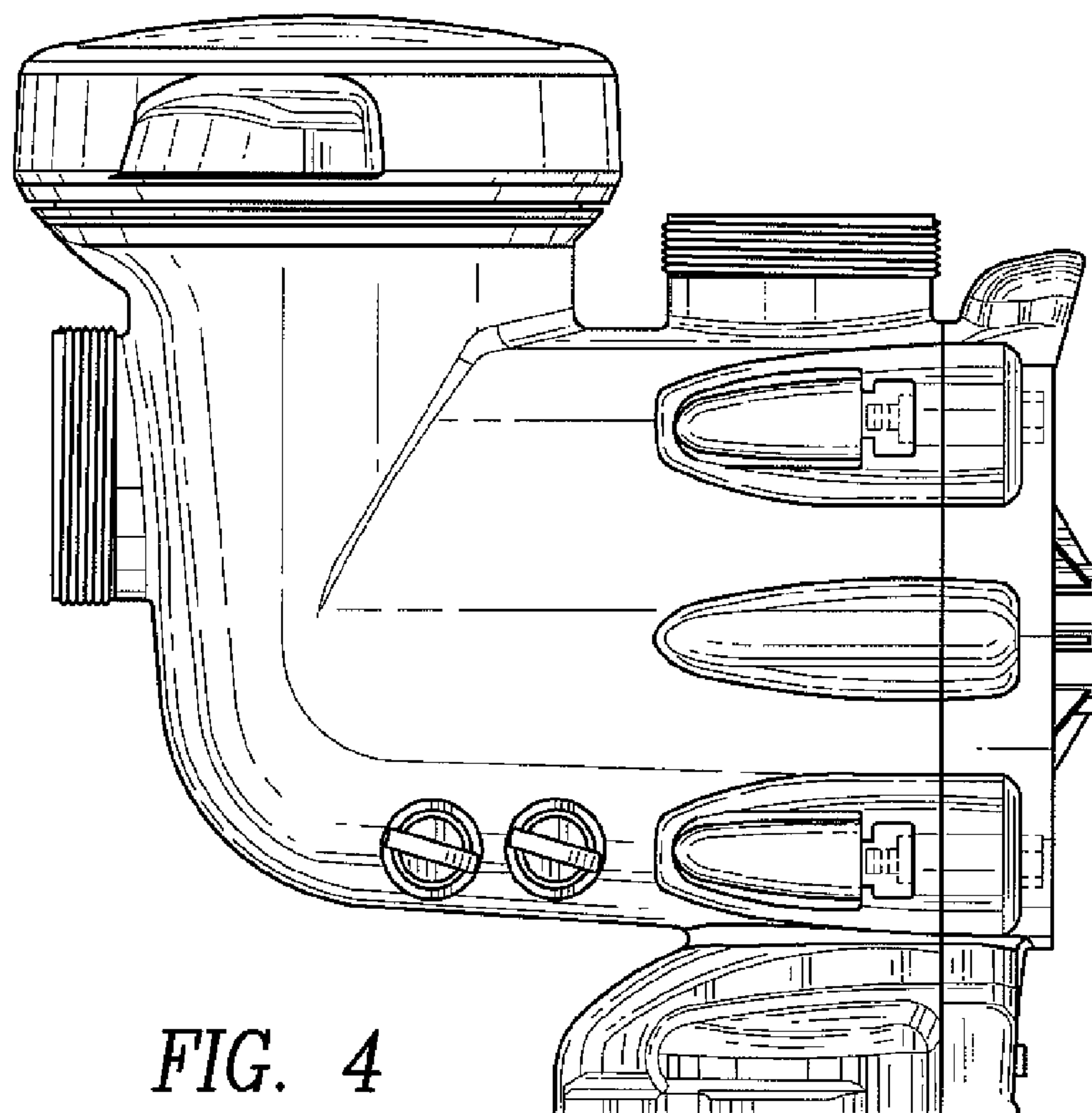
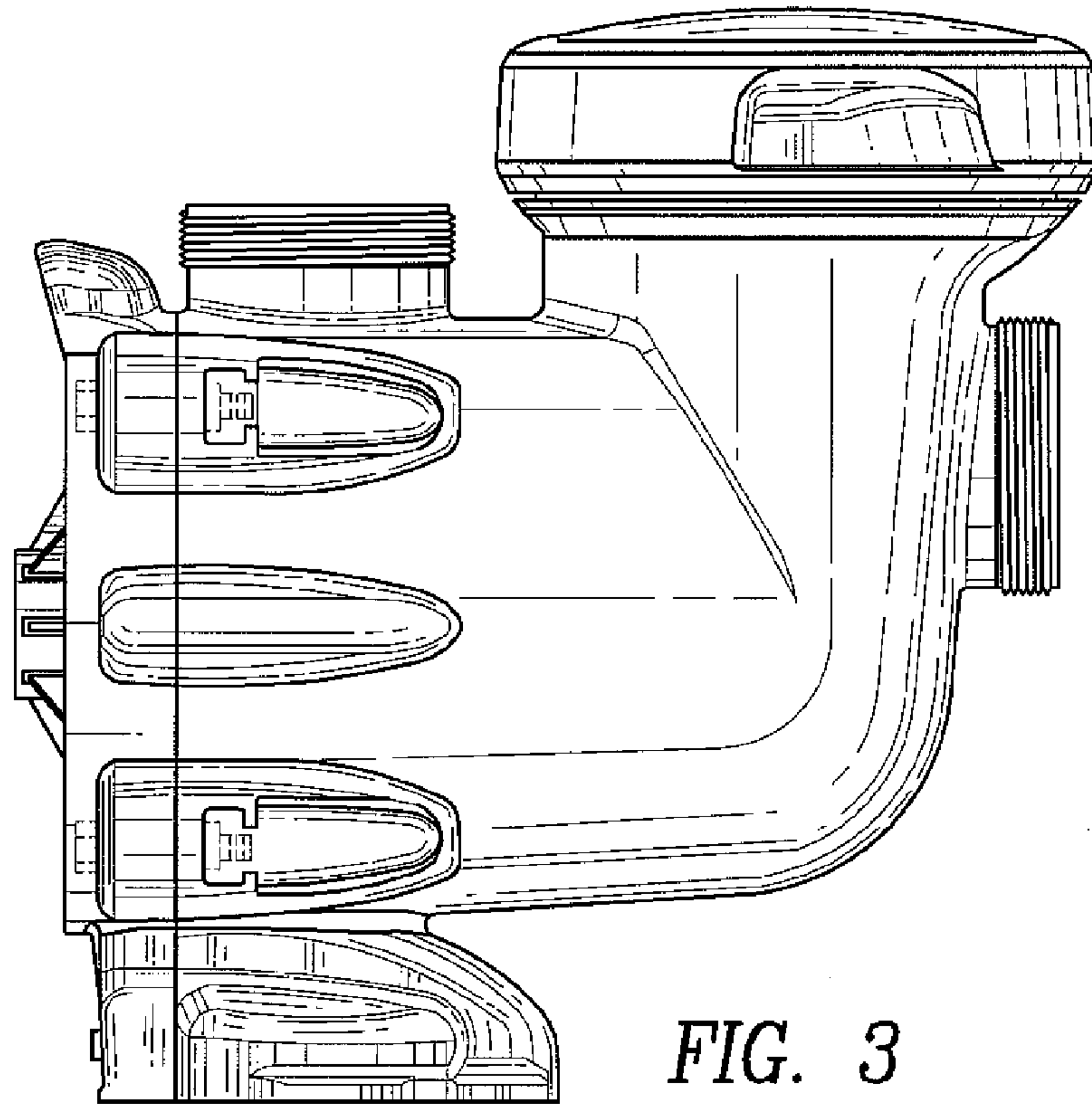


FIG. 2



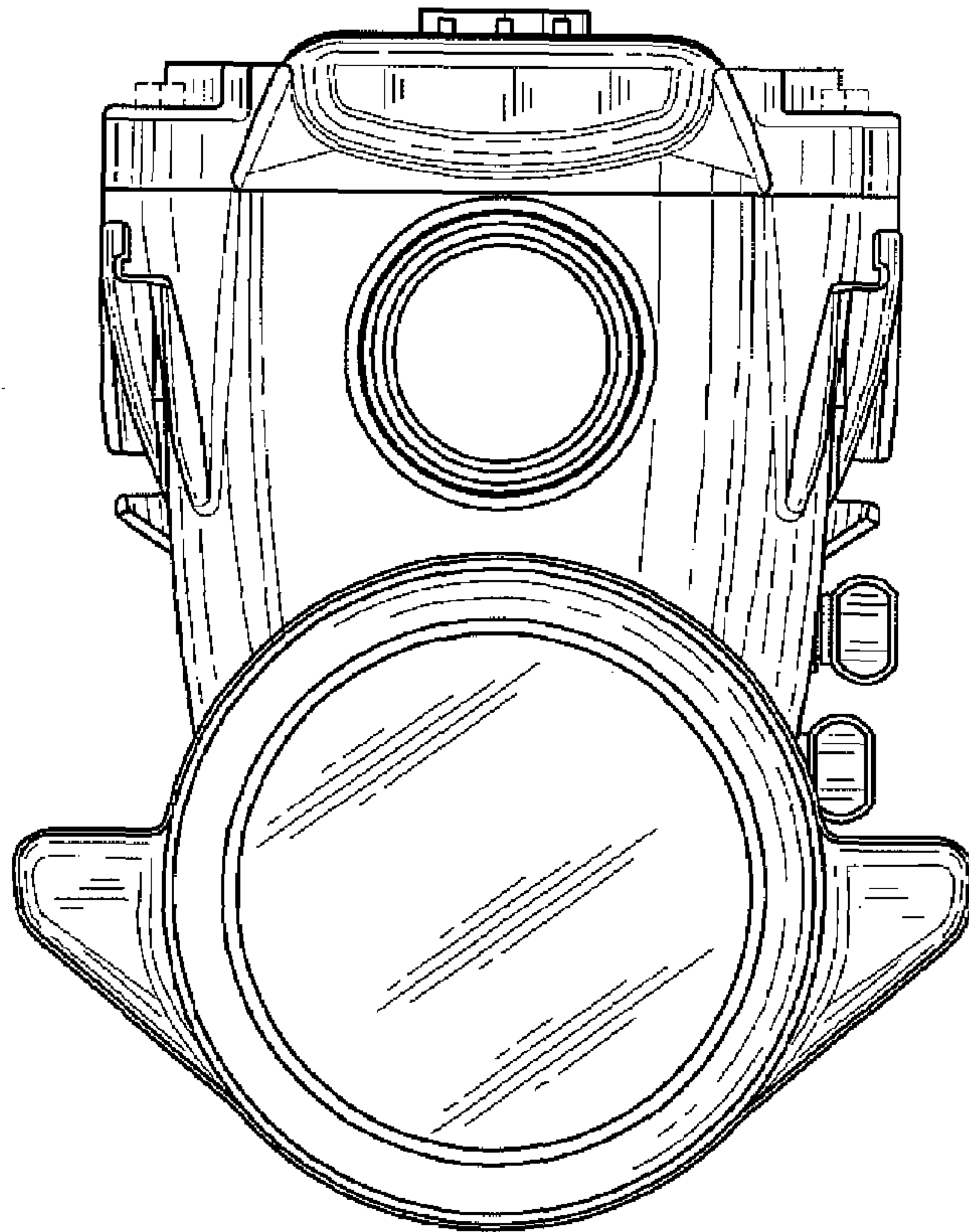


FIG. 5

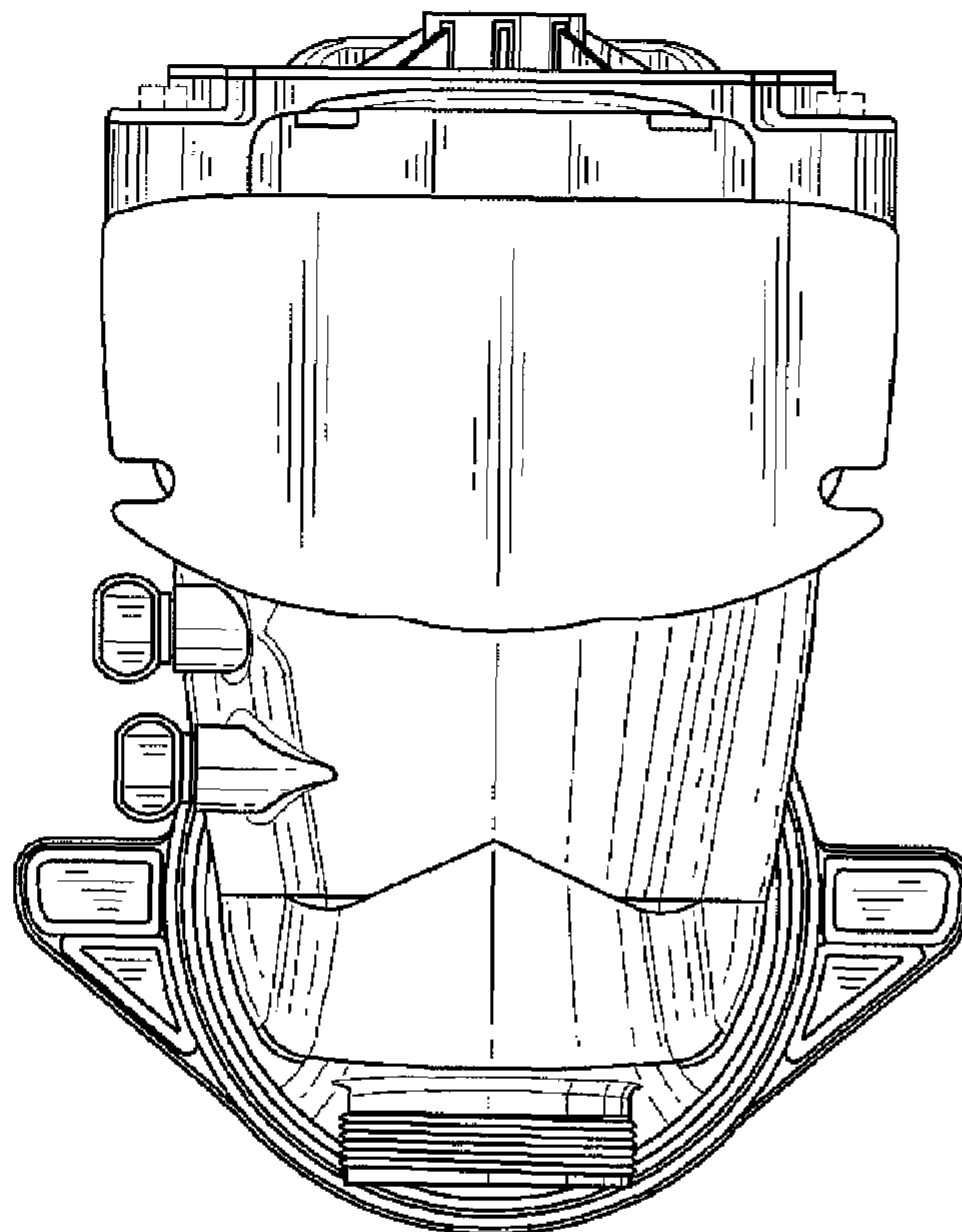


FIG. 6

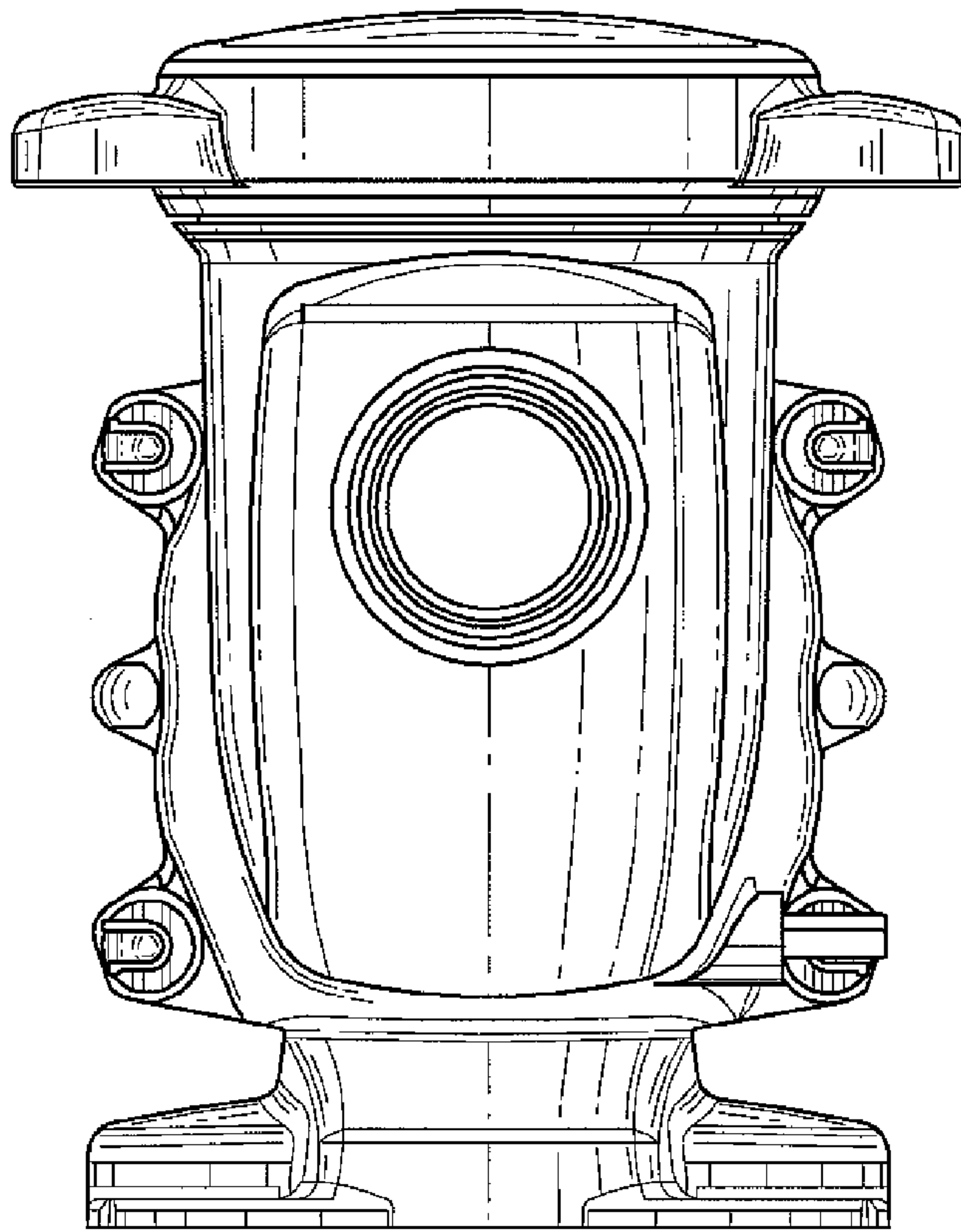


FIG. 7

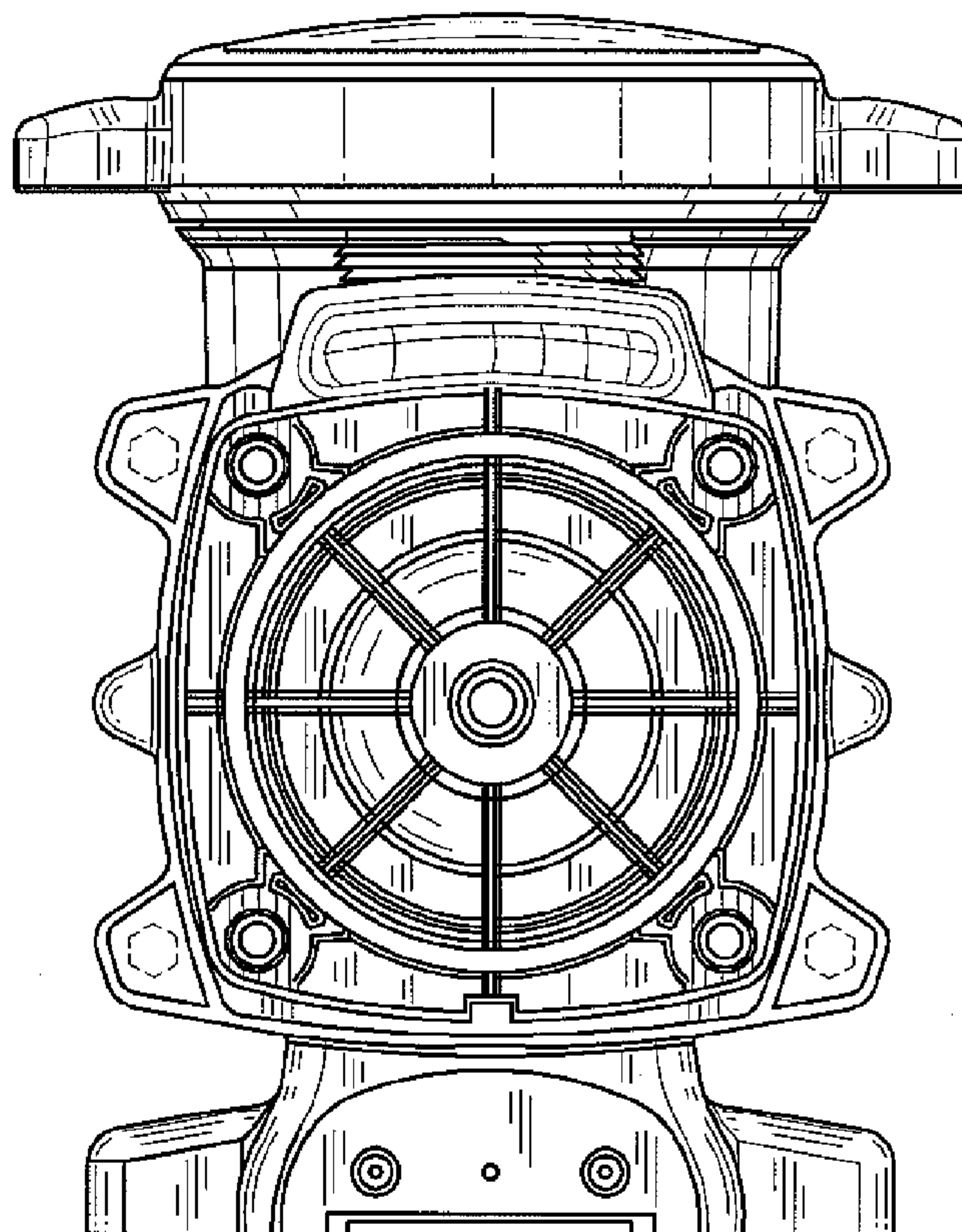


FIG. 8

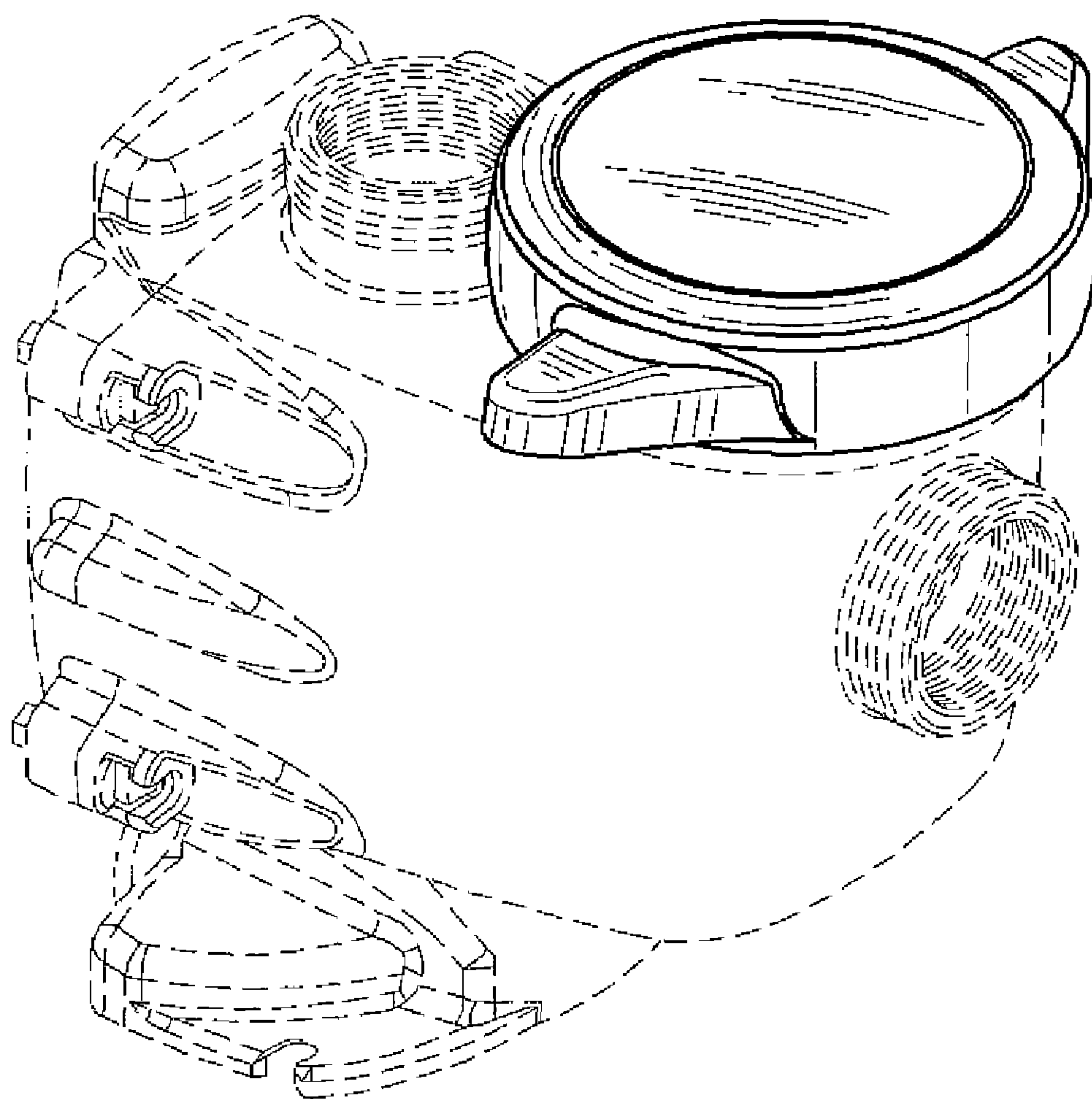


FIG. 9