



US00D588153S

(12) **United States Design Patent**
Okada

(10) **Patent No.:** **US D588,153 S**
(45) **Date of Patent:** **** Mar. 10, 2009**

(54) **TRANSITIONAL IMAGE FOR A PORTION OF A DISPLAY SCREEN OF A DIGITAL CAMERA**

(75) Inventor: **Keiji Okada**, Hachioji (JP)
(73) Assignee: **Olympus Imaging Corp.**, Tokyo (JP)
(**) Term: **14 Years**
(21) Appl. No.: **29/294,256**
(22) Filed: **Dec. 31, 2007**

(30) **Foreign Application Priority Data**
Dec. 7, 2007 (JP) 2007-033675

(51) **LOC (9) Cl.** **32-00**
(52) **U.S. Cl.** **D14/488**
(58) **Field of Classification Search** D14/485–495;
715/700–705, 716, 727, 730, 748, 750, 751,
715/760–762, 775–781, 786, 787, 808–810,
715/832–846, 863–867, 973–977
See application file for complete search history.

(56) **References Cited**

U.S. PATENT DOCUMENTS

4,896,291	A *	1/1990	Gest et al.	715/841
D388,419	S *	12/1997	Polson et al.	D14/491
6,061,063	A *	5/2000	Wagner et al.	715/784
6,147,683	A *	11/2000	Martinez et al.	715/786
D441,762	S *	5/2001	Mugura	D14/486
D507,798	S *	7/2005	Jewitt et al.	D14/486
7,043,691	B1 *	5/2006	Kwon et al.	715/705
7,158,123	B2 *	1/2007	Myers et al.	345/173
D544,873	S *	6/2007	Totten et al.	D14/486
D553,146	S *	10/2007	Byeon et al.	D14/486
D554,657	S *	11/2007	Kim et al.	D14/486
7,296,241	B2 *	11/2007	Oshiro et al.	715/778
D558,218	S *	12/2007	Kwon et al.	D14/486
D560,226	S *	1/2008	Jung et al.	D14/486
D560,679	S *	1/2008	Kwon et al.	D14/486
D565,580	S *	4/2008	Gunn et al.	D14/485
D565,584	S *	4/2008	Gunn et al.	D14/487
7,359,961	B2 *	4/2008	Nagata	715/705
D569,384	S *	5/2008	Yoon et al.	D14/487
D574,392	S *	8/2008	Kwag et al.	D14/486
D574,396	S *	8/2008	Tomizawa et al.	D14/487

D574,839	S *	8/2008	Jasinski	D14/485
D577,364	S *	9/2008	Flynt et al.	D14/486
D577,366	S *	9/2008	Flynt et al.	D14/486
D577,738	S *	9/2008	Kwag	D14/486
2008/0086703	A1 *	4/2008	Flynt et al.	715/853

OTHER PUBLICATIONS

Related U.S. Appl. No. 29/294,252, filed Dec. 31, 2007; Inventor: Keiji Okada; Title: Transitional Image for a Portion of a Display Screen of a Digital Camera.
* cited by examiner

Primary Examiner—Cathron C Brooks
Assistant Examiner—Deanna Fluegeman
(74) *Attorney, Agent, or Firm*—Frishauf, Holtz, Goodman & Chick, P.C.

(57) **CLAIM**

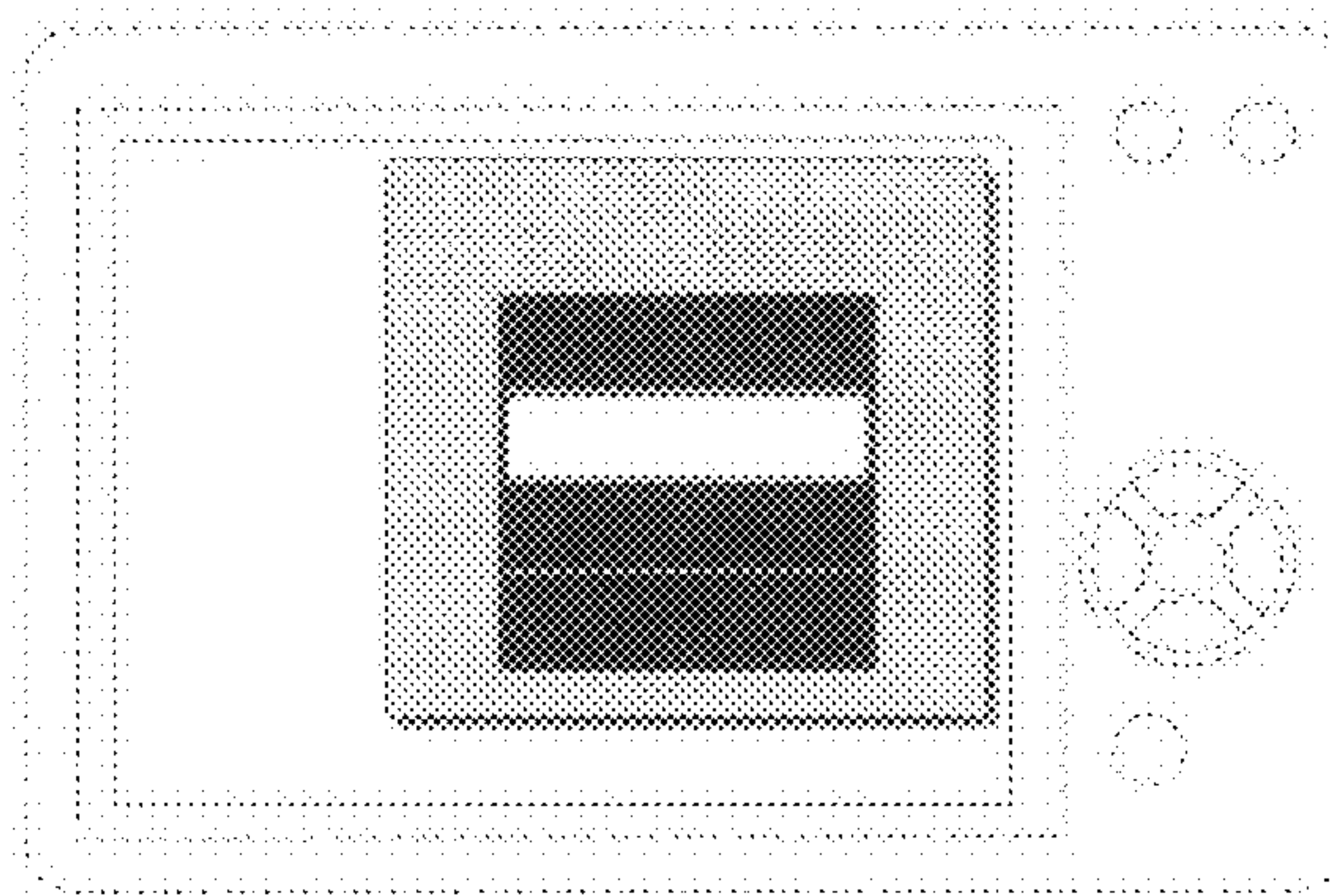
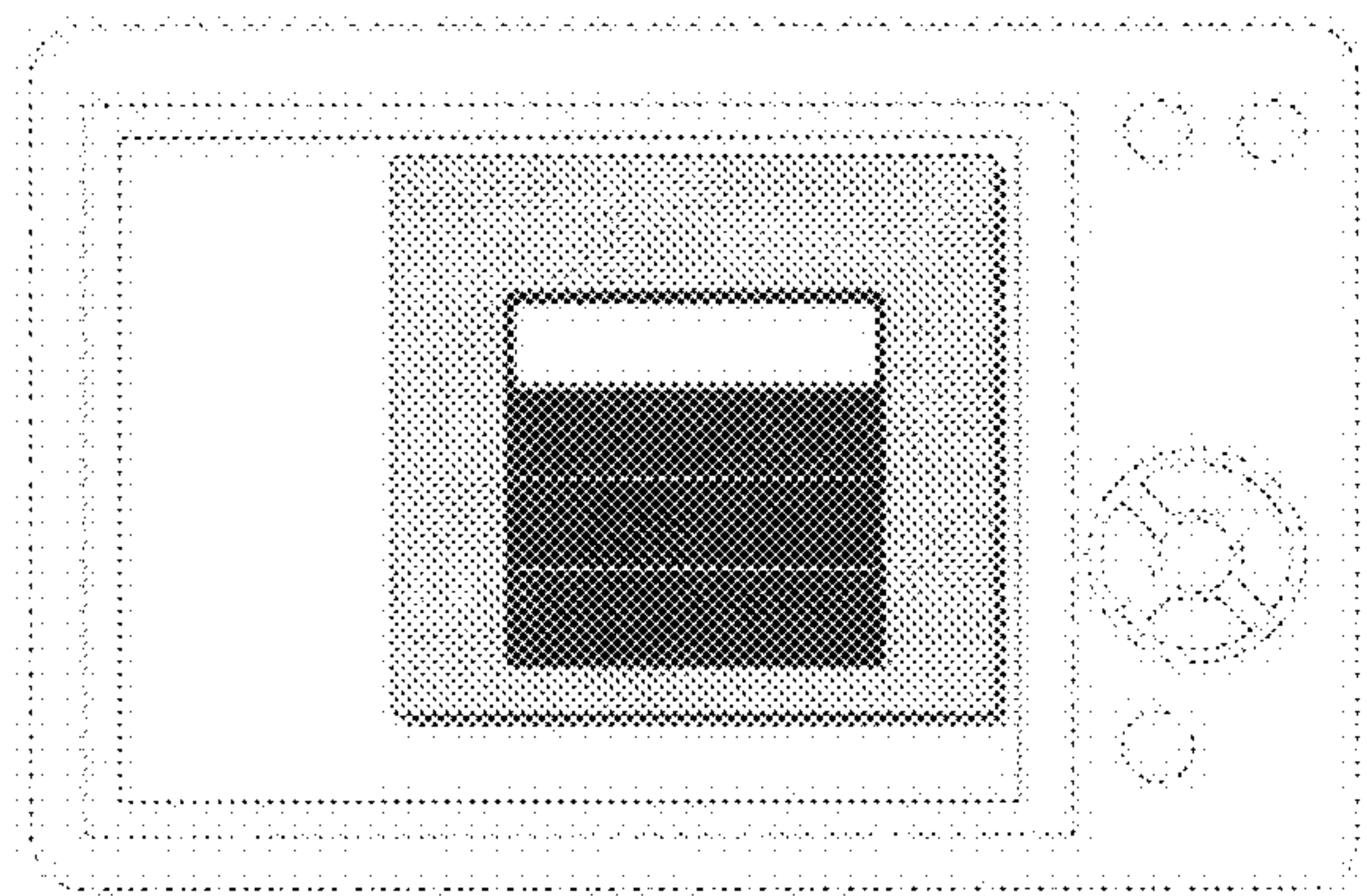
The ornamental design for a transitional image for a portion of a display screen of a digital camera, as shown and described.

DESCRIPTION

FIG. 1 is a front view of a transitional image for a portion of a display screen of a digital camera, showing my new design; FIG. 2 is a front view of a second image thereof; FIG. 3 is a front view of a third image thereof; FIG. 4 is a front view of a fourth image thereof; FIG. 5 is a front view of a fifth image thereof; FIG. 6 is a front view of a sixth image thereof; FIG. 7 is a front view of a seventh image thereof; FIG. 8 is a front view of an eighth image thereof; FIG. 9 is a front view of a ninth image thereof; FIG. 10 is a front view of a tenth image thereof; and, FIG. 11 is a front view of an eleventh image thereof.

The appearance of the transitional image sequentially transitions between images shown in FIGS. 1–11. The process or period in which one image changes into another forms no part of the claimed design. The broken line showing of a portion of a display screen and of a camera in all views is for illustrative purposes only and forms no part of the claimed design.

1 Claim, 6 Drawing Sheets



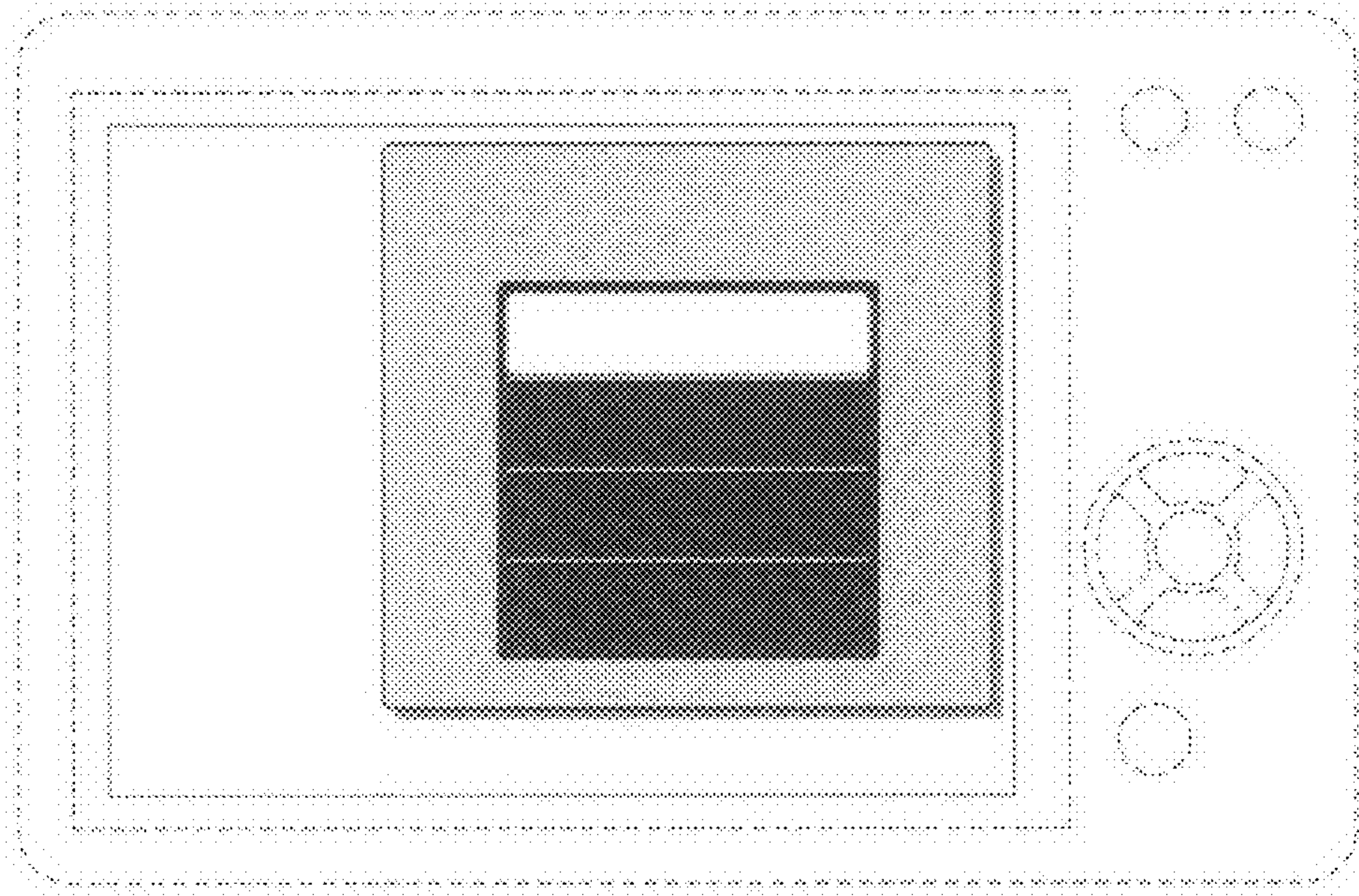


FIG. 1

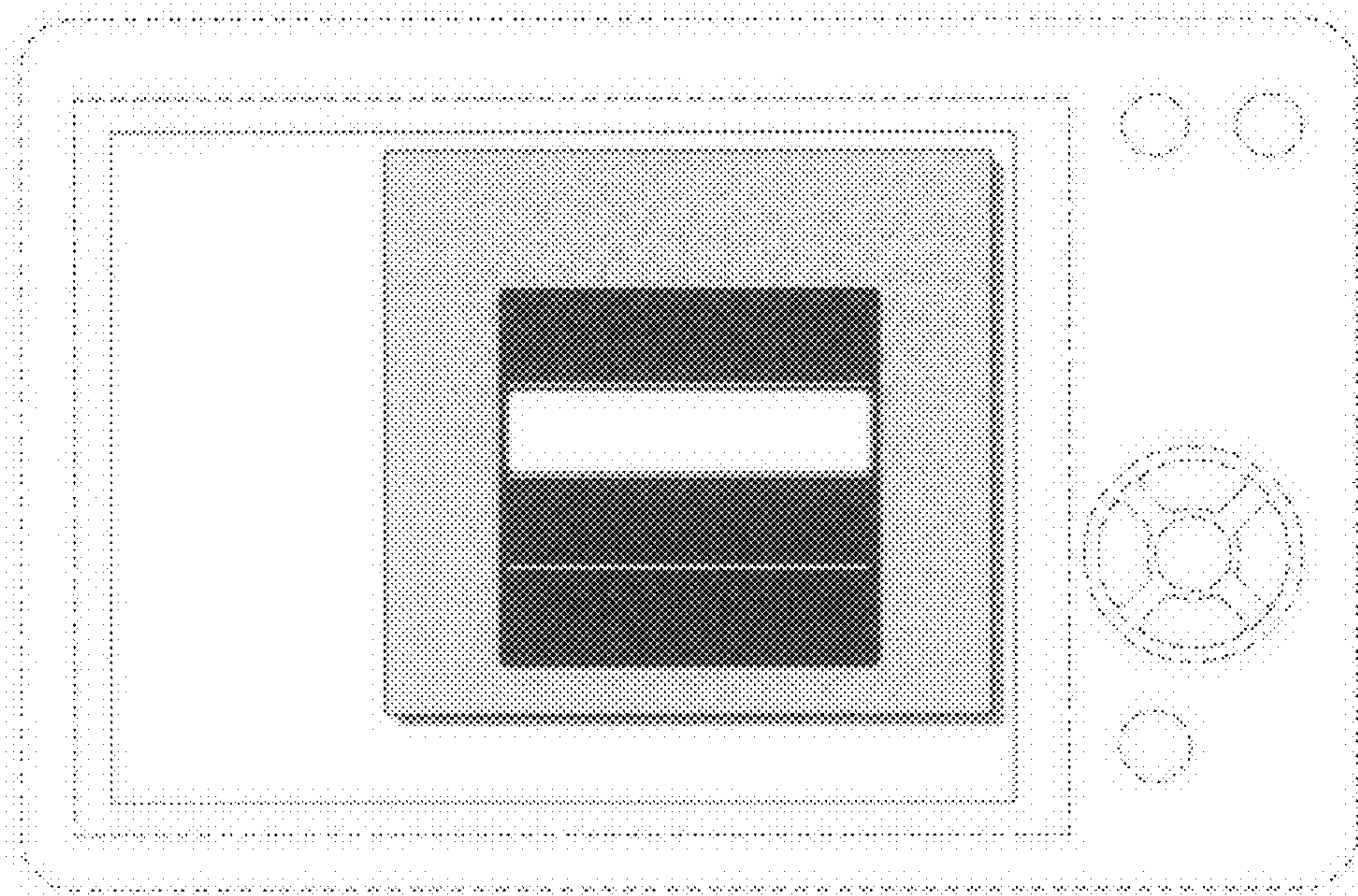


FIG. 2

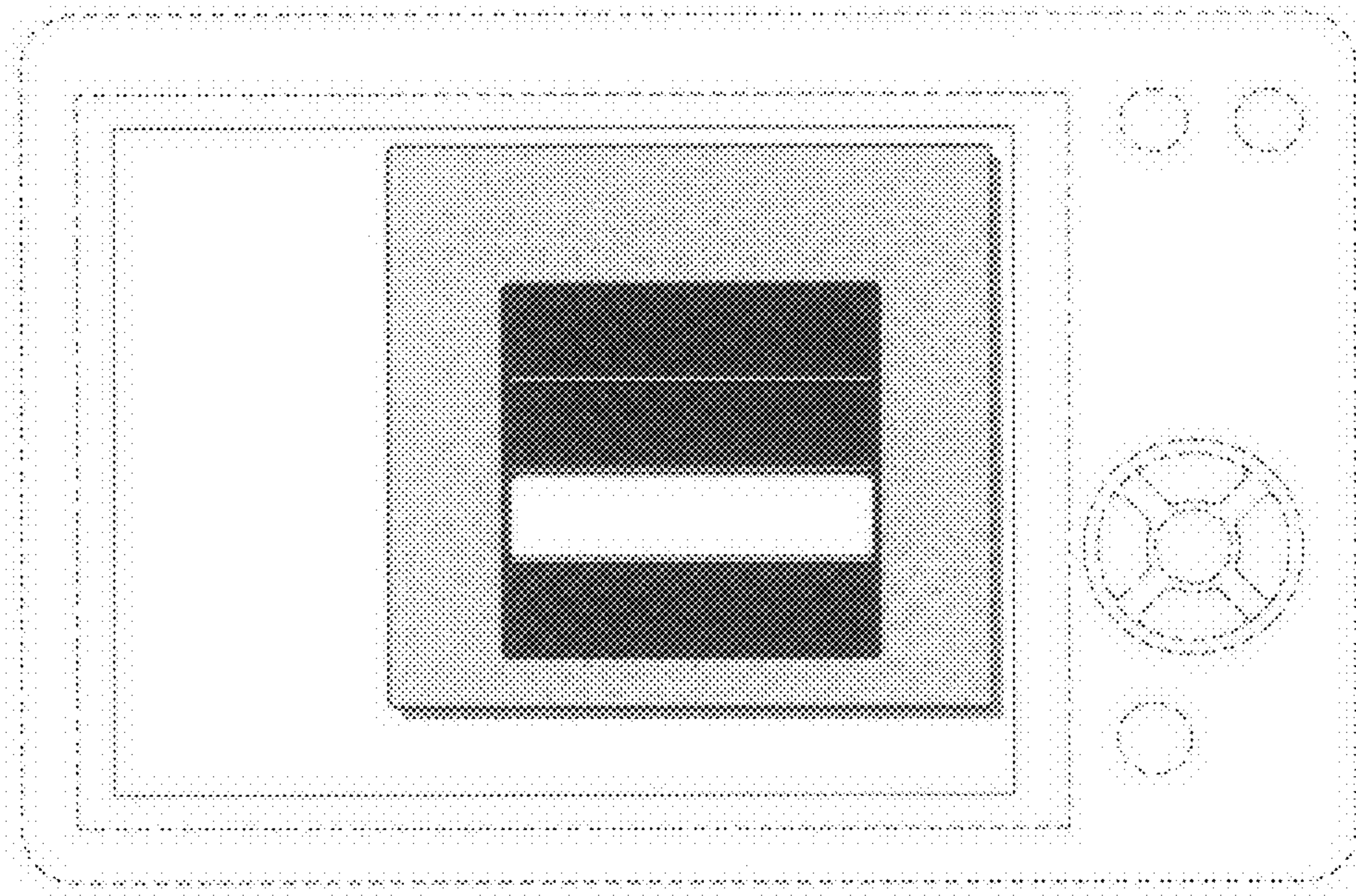


FIG. 3

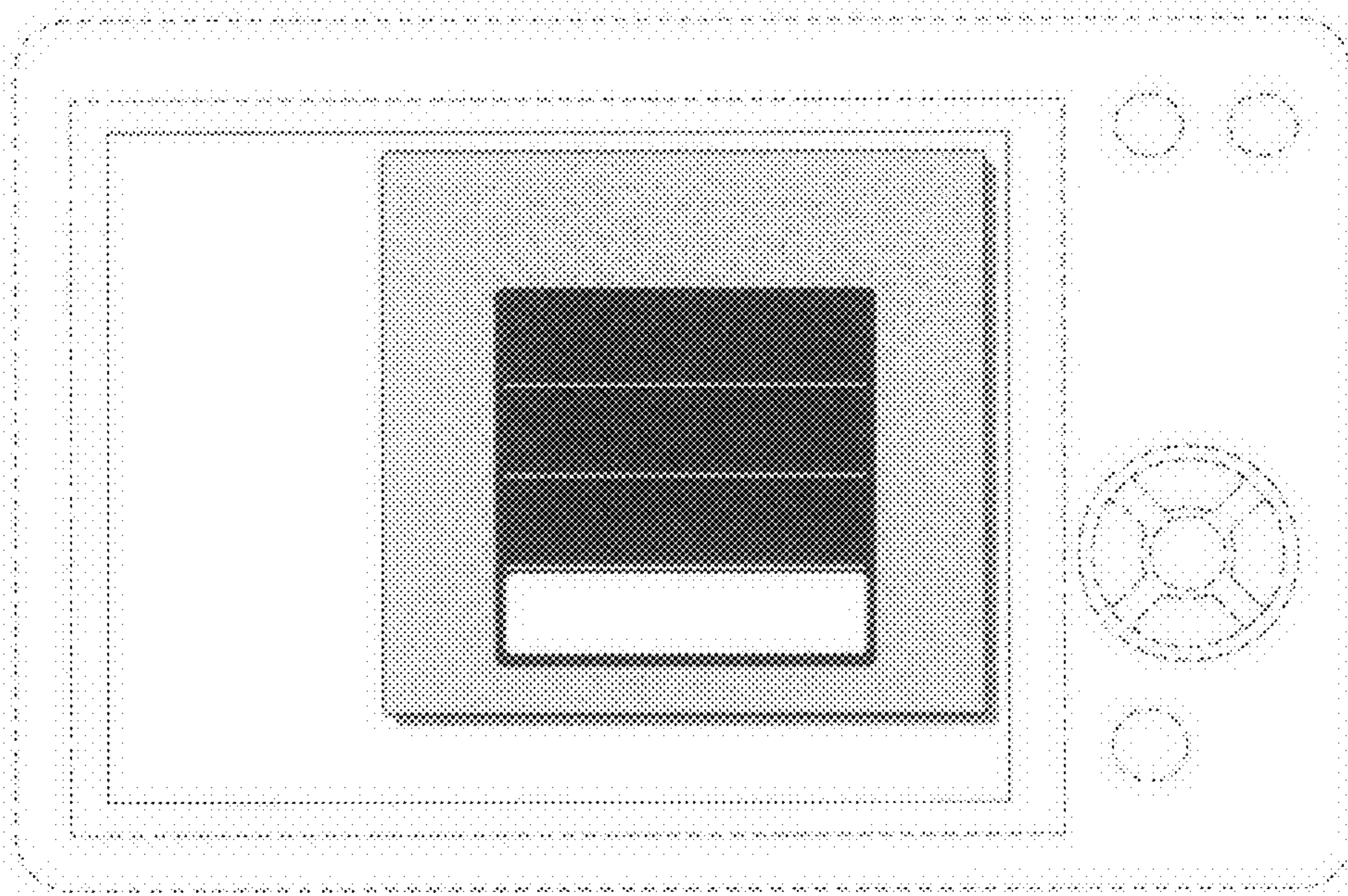


FIG. 4

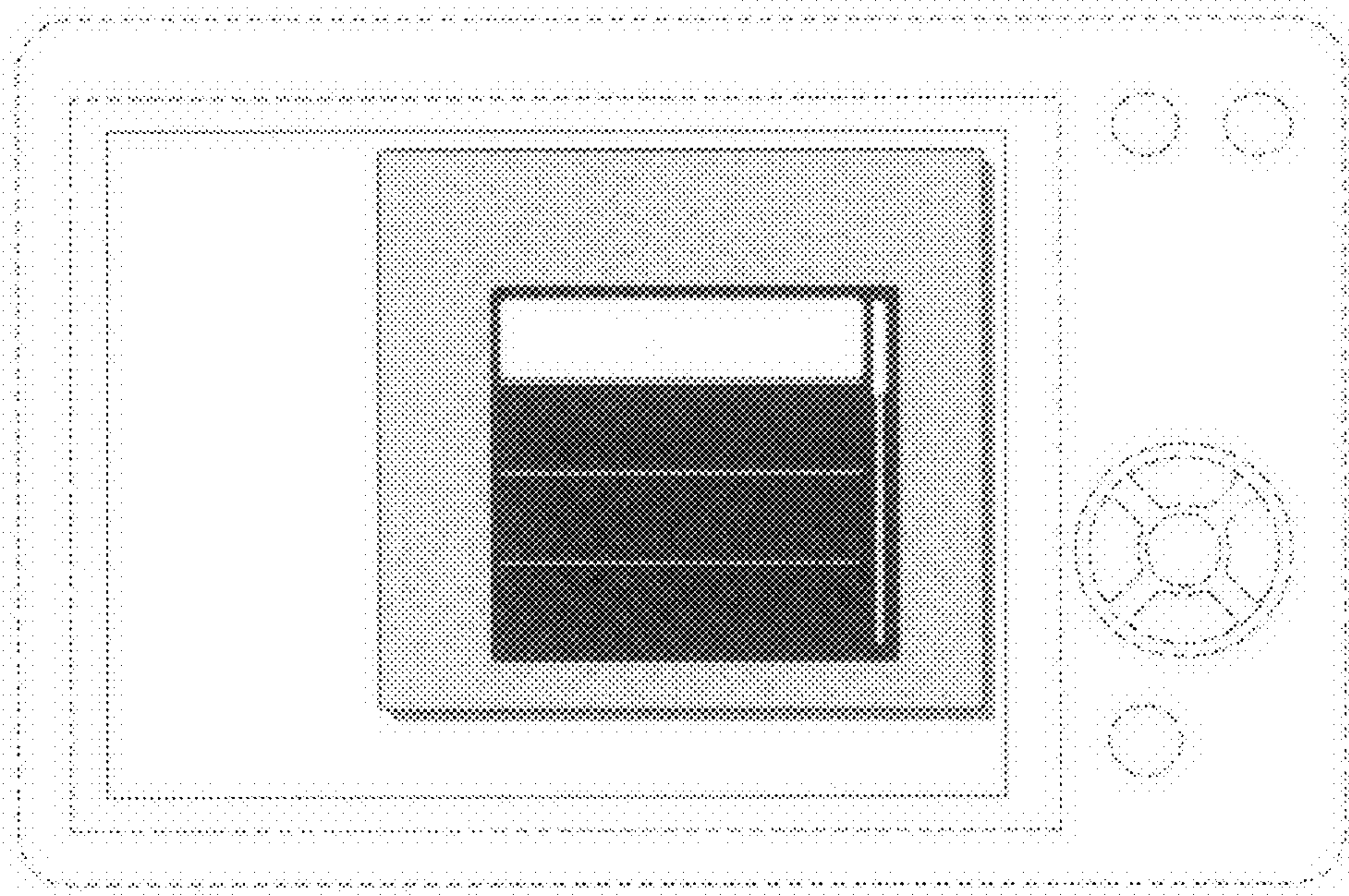


FIG. 5

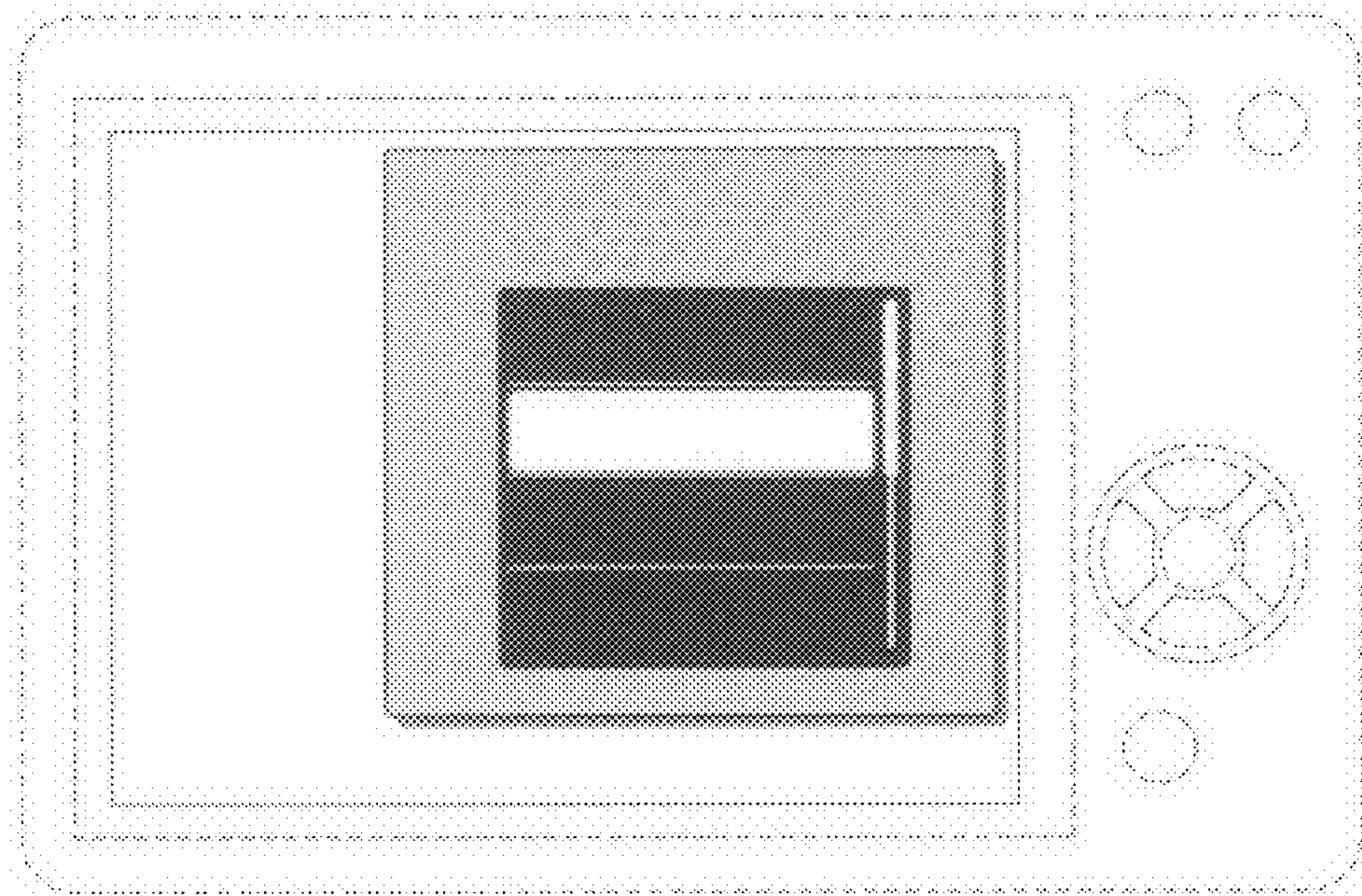


FIG. 6

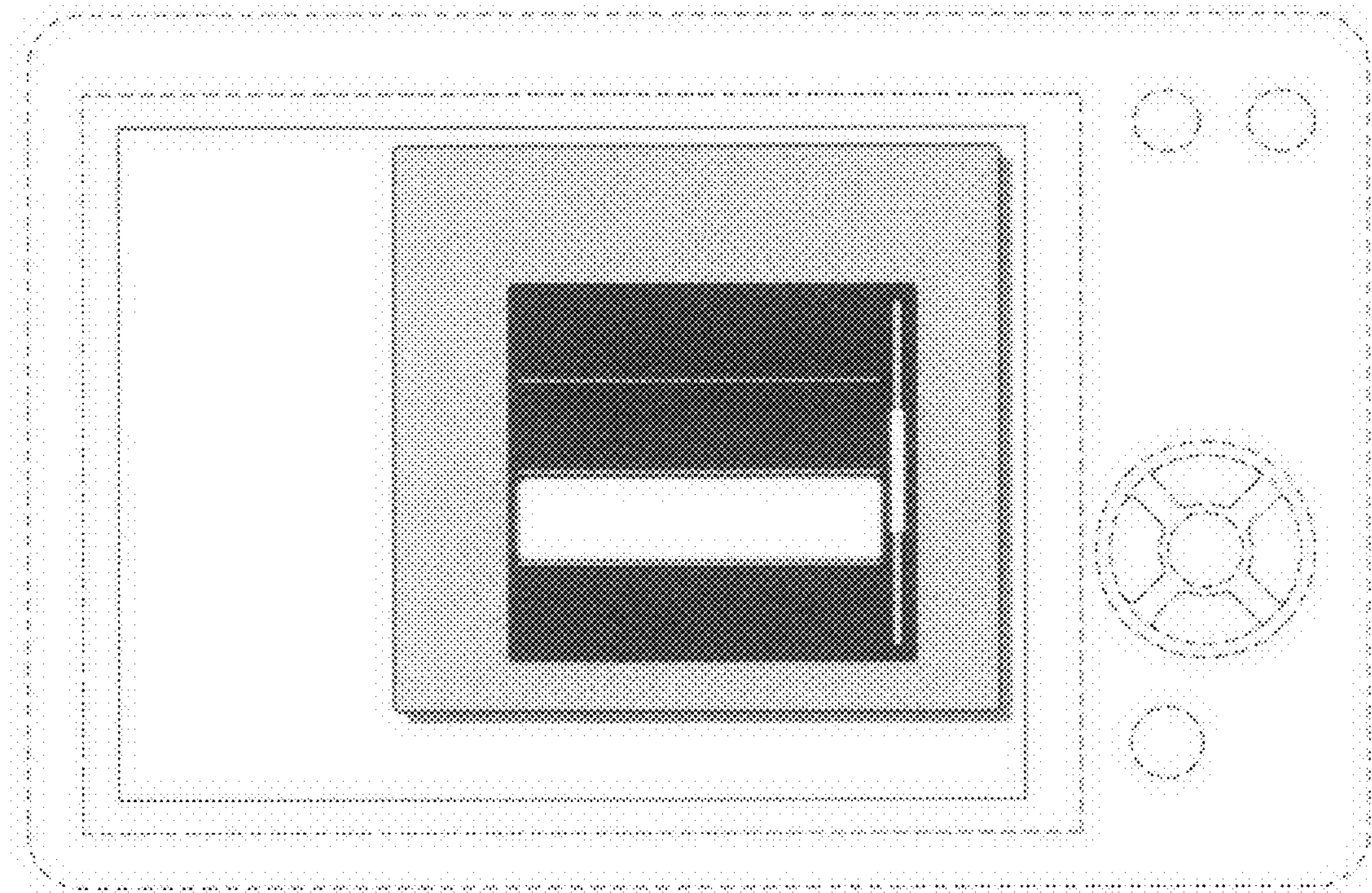


FIG. 7

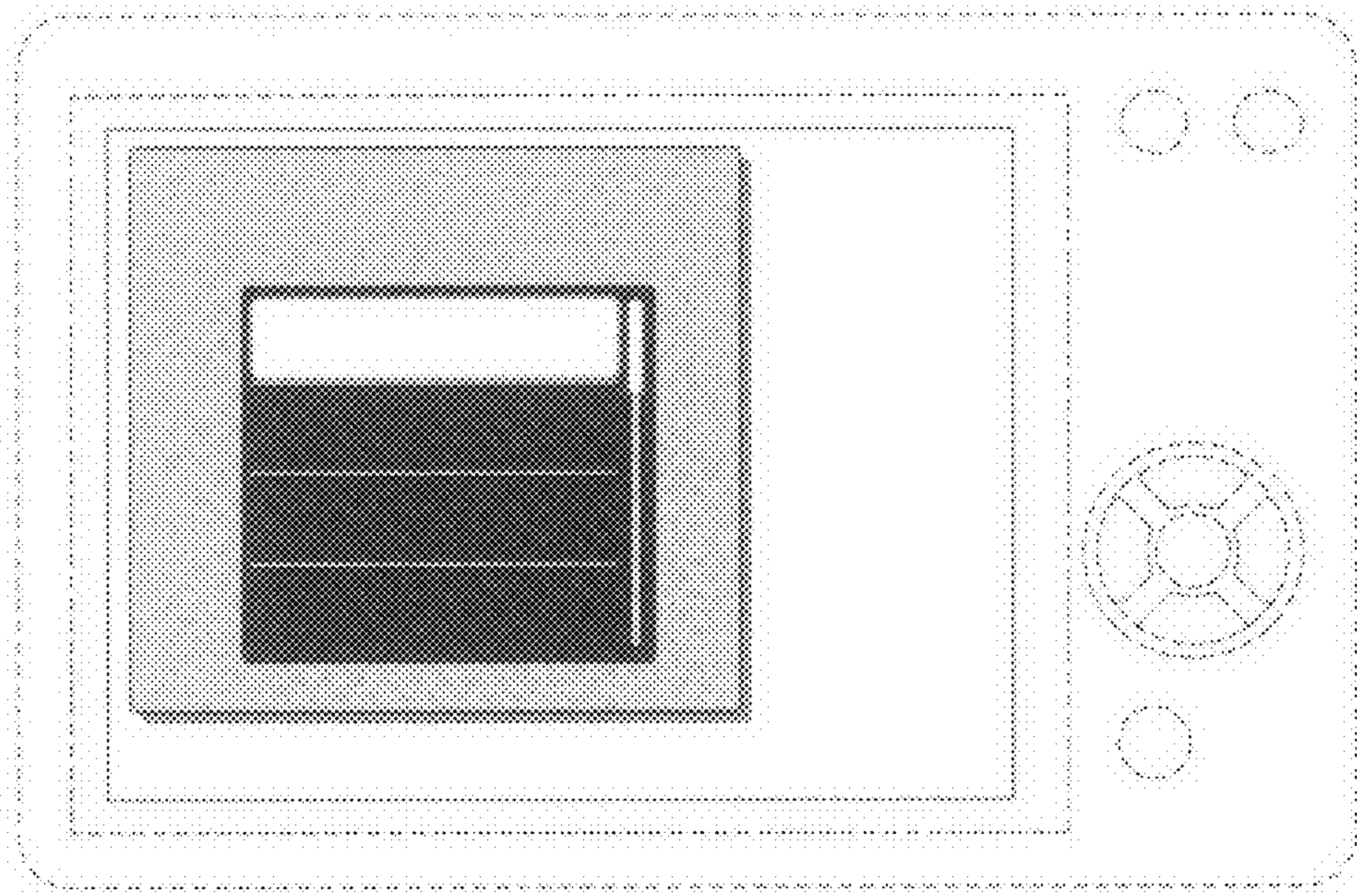


FIG. 8

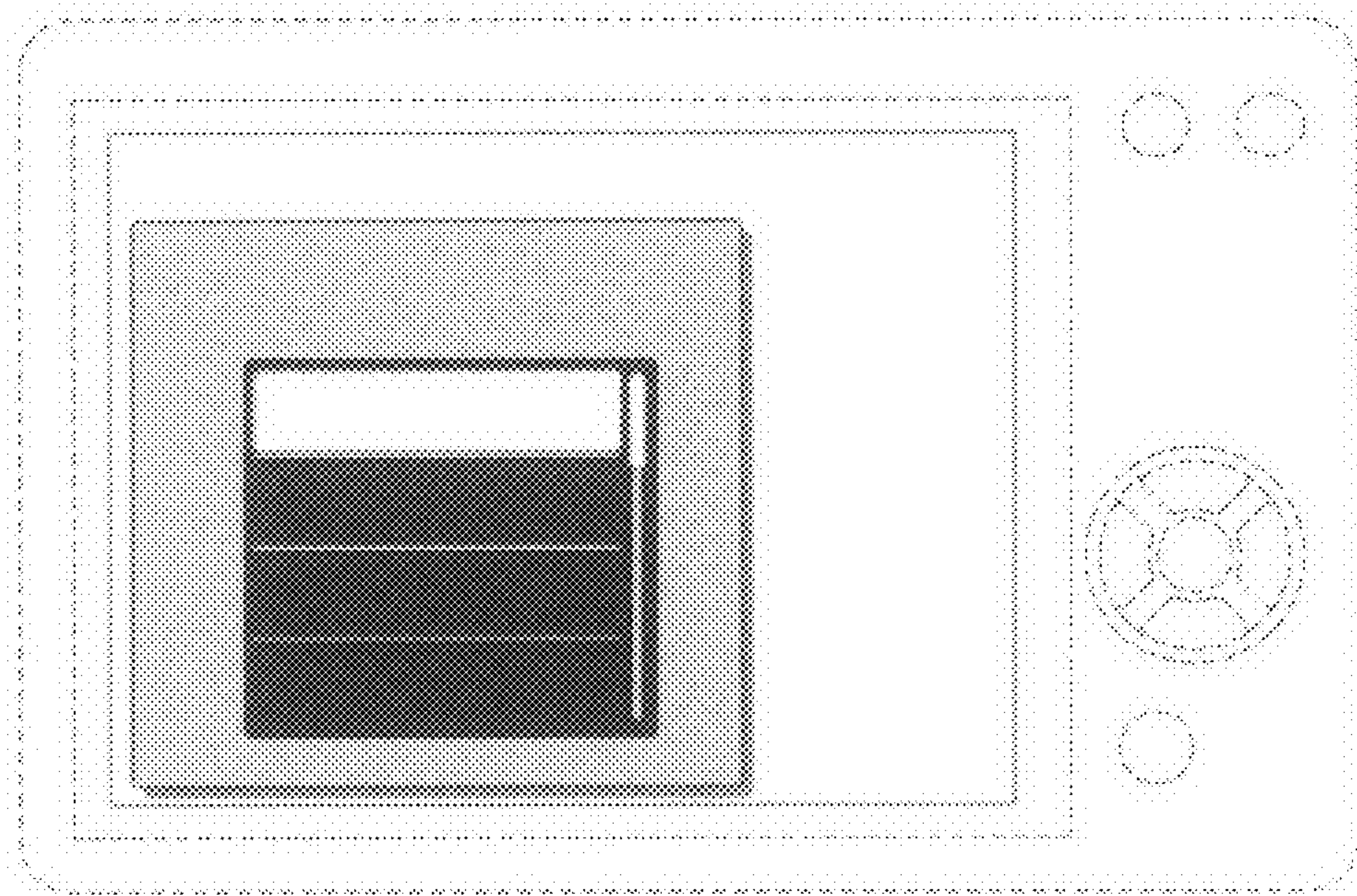


FIG. 9

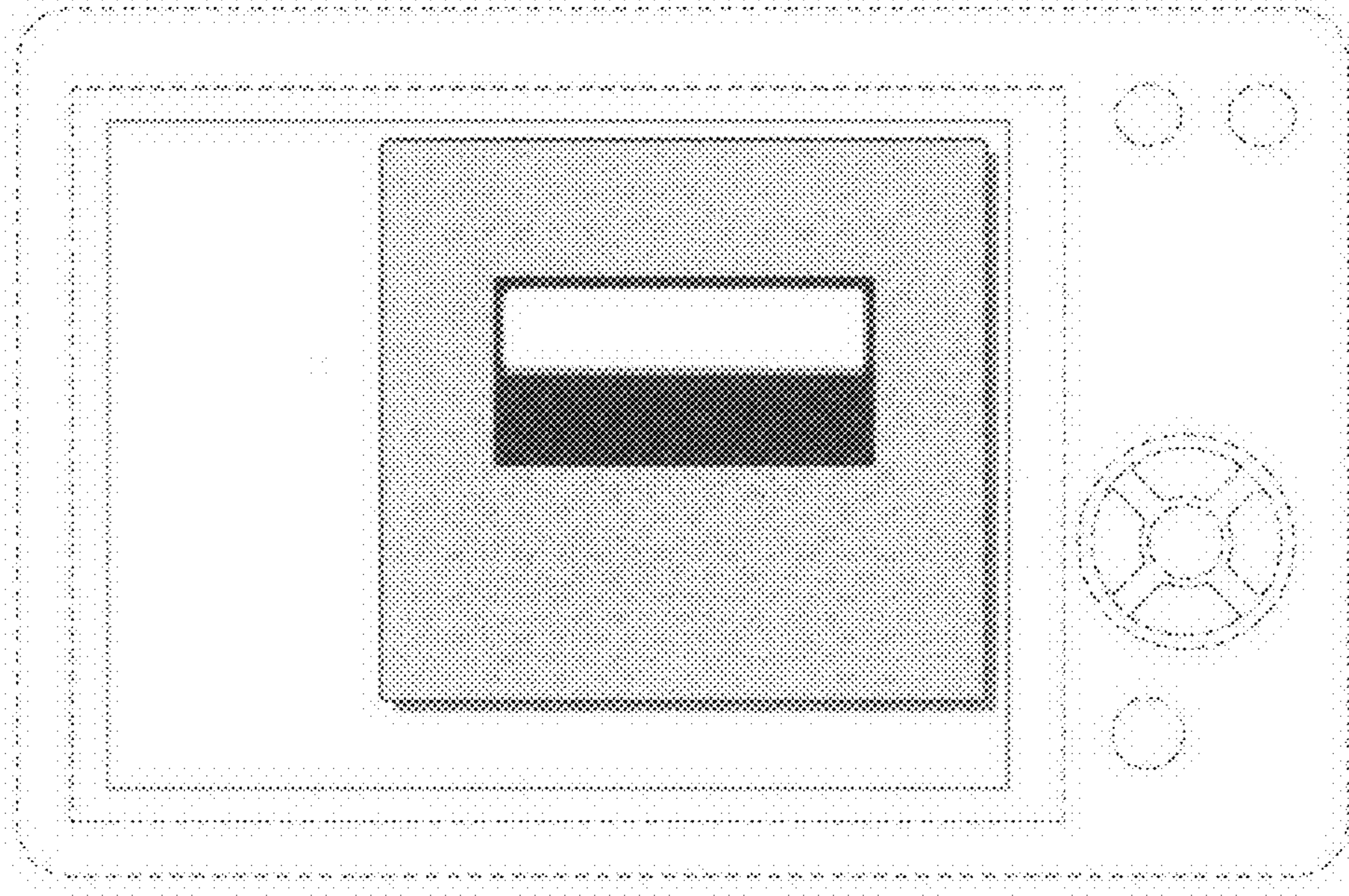


FIG. 10

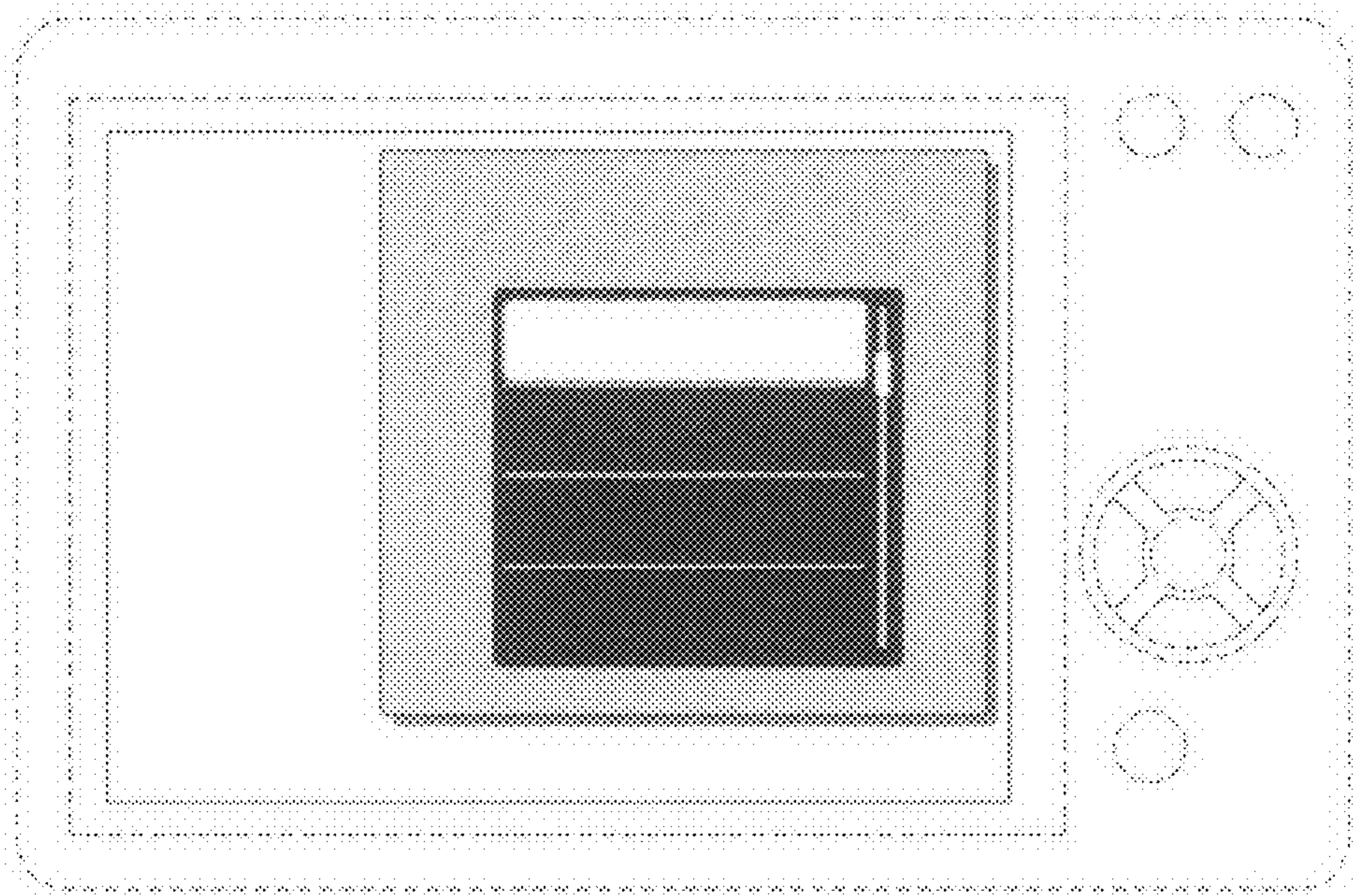


FIG. 11