



US00D588147S

(12) **United States Design Patent**
Finlayson et al.

(10) **Patent No.:** **US D588,147 S**
(45) **Date of Patent:** **** Mar. 10, 2009**

(54) **SECURE PORTABLE DATA TRANSPORT AND STORAGE SYSTEM**

(75) Inventors: **James Finlayson**, Eugene, OR (US);
Reena B. Gordon, Los Angeles, CA (US); **Roy Montibon**, Las Vegas, NM (US); **William A. Fox**, Rolling Hills Estates, CA (US)

(73) Assignee: **Photonic Data Security, LLC**, Torrance, CA (US)

(**) Term: **14 Years**

(21) Appl. No.: **29/302,582**

(22) Filed: **Jan. 18, 2008**

(51) **LOC (9) Cl.** **14-02**

(52) **U.S. Cl.** **D14/480.5**

(58) **Field of Classification Search** D14/436,
D14/411, 384-385, 518, 348, 432-435, 299,
D14/167, 402, 242, 356, 358, 496, 156, 240;
710/300-301; 439/131, 140-141; 361/684,
361/686

See application file for complete search history.

(56) **References Cited**

U.S. PATENT DOCUMENTS

D289,765 S *	5/1987	Eto et al.	D14/435
5,212,729 A	5/1993	Schafer		
D381,647 S *	7/1997	Terng	D14/358
D410,464 S *	6/1999	Hakoda	D14/501
6,259,769 B1	7/2001	Page et al.		
D449,615 S	10/2001	Lloyd		
6,394,813 B1	5/2002	Stout et al.		
6,416,355 B1 *	7/2002	Liao	439/501
D462,689 S	9/2002	Moran		
D463,426 S	9/2002	Cheng		
6,447,140 B1	9/2002	Lu		
6,456,500 B1	9/2002	Chen		
6,522,534 B1	2/2003	Wu		
6,561,421 B1	5/2003	Yu		

(Continued)

OTHER PUBLICATIONS

Paladin D3: Data Defending Device, [online], [retrieved on Oct. 15, 2008]. Retrieved from the Internet <URL: <http://www.paladind3.com/>>.*
WD Passport Pocket 6 GB USB 2.0 Hard Drives (WDXMM60WP), [online], [retrieved on Nov. 14, 2006]. Retrieved from the Internet <URL: <http://www.wdc.com/en/products/products.asp?driveid=226&language=en>>.*

(Continued)

Primary Examiner—Robin V Webster

Assistant Examiner—Karen E Kearney

(74) *Attorney, Agent, or Firm*—Scott R. Hansen; Fulwider Patton LLP

(57) **CLAIM**

The ornamental design for a secure portable data transport and storage system, as shown and described.

DESCRIPTION

FIG. 1 is an isometric view of the secure portable data transport and storage system, with the device in a closed configuration;

FIG. 2 is a right side elevation view of the device of FIG. 1;

FIG. 3 is a left side elevation view of the device of FIG. 1;

FIG. 4 is a front elevation view of the device of FIG. 1;

FIG. 5 is a rear elevation view of the device of FIG. 1;

FIG. 6 is a bottom plan view of the device of FIG. 1;

FIG. 7 is a top plan view of the device of FIG. 1;

FIG. 8 is an isometric view of the secure portable data transport and storage system, with the device in an open configuration;

FIG. 9 is a right side elevation view of the device of FIG. 8;

FIG. 10 is a left side elevation view of the device of FIG. 8;

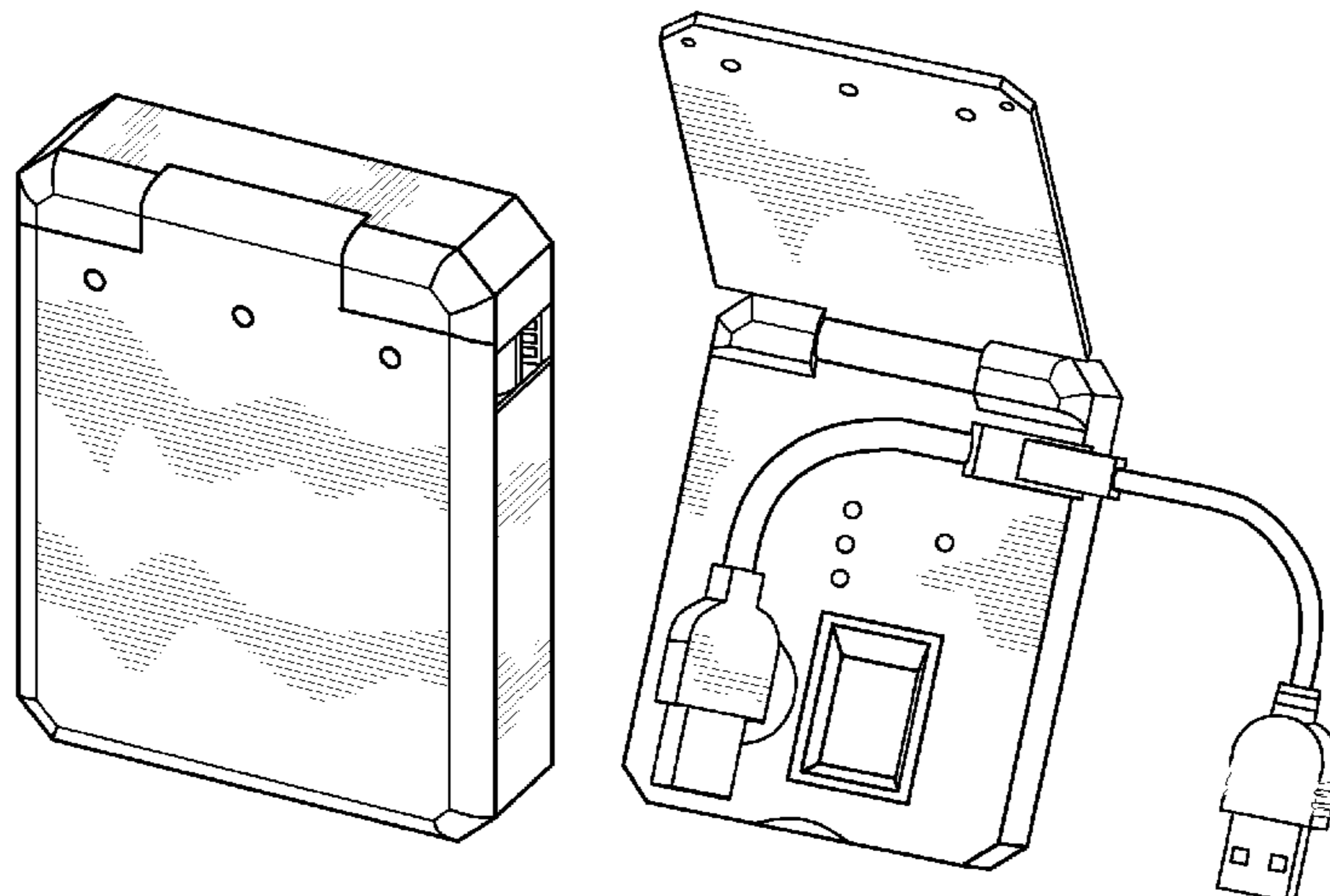
FIG. 11 is a front elevation view of the device of FIG. 8;

FIG. 12 is a rear elevation view of the device of FIG. 8;

FIG. 13 is a bottom plan view of the device of FIG. 8; and,

FIG. 14 is a top plan view of the device of FIG. 8.

1 Claim, 7 Drawing Sheets



U.S. PATENT DOCUMENTS

6,567,273	B1	5/2003	Liu et al.	
6,594,154	B1	7/2003	Brewer et al.	
6,650,534	B2	11/2003	Tree	
6,671,808	B1	12/2003	Abbott et al.	
D486,814	S	2/2004	Nakamura	
6,705,891	B1 *	3/2004	Lin	439/528
6,722,917	B2 *	4/2004	Huang	439/501
6,824,422	B2 *	11/2004	Huang	439/535
D511,344	S *	11/2005	Takei	D14/363
D514,103	S *	1/2006	Huang et al.	D14/363
7,025,275	B2 *	4/2006	Huang et al.	235/486
D524,817	S	7/2006	Conley et al.	
D526,651	S *	8/2006	Hoogerdijk	D14/436
7,104,816	B1 *	9/2006	Wang	439/136
D537,036	S *	2/2007	Chen	D13/146
D541,275	S *	4/2007	Lai	D14/480.3
D545,311	S *	6/2007	Wai	D14/356
D559,249	S *	1/2008	Takei	D14/356
7,405,488	B2 *	7/2008	Suso	290/1 A

2008/0227380 A1* 9/2008 Hsu et al. 439/131

OTHER PUBLICATIONS

OCZ Technology | Products | Flash Media | OCZ Ultra-Slim, Large-Capacity Mega-Kart USB 2.0 Flash Card, Web Archive, [online] Oct. 4, 2006 [retrieved on Jul. 6, 2007]. Retrieved from the Internet <URL: http://web.archive.org/web/20061004132947/http://www.oczt...cz_ultra_slim-large_capacity_mega_kart_usb_2_0_flash_card>.*
ericbeare.com, [online], [retrieved on Nov. 14, 2006]. Retrieved from the Internet <URL: http://www.ericbeare.com/public/Theme19/Large_Window.asp?page=1&ProductID=A%2D0579>.*
Card Disk: USB Flash drive, Web archive [online] Feb. 5, 2005 [retrieved on Jul. 11, 2007]. Retrieved from the Internet <URL: <http://web.archive.org/web/20050205031117/http://card-media.co.uk/card+disk.htm>>.*
News Tips: Cherry Picks, [online], [retrieved on Jul. 6, 2007]. Retrieved from the Internet <URL: http://www.apricorn.com/full_images/aegis-mini-USB.jpg>.*

* cited by examiner

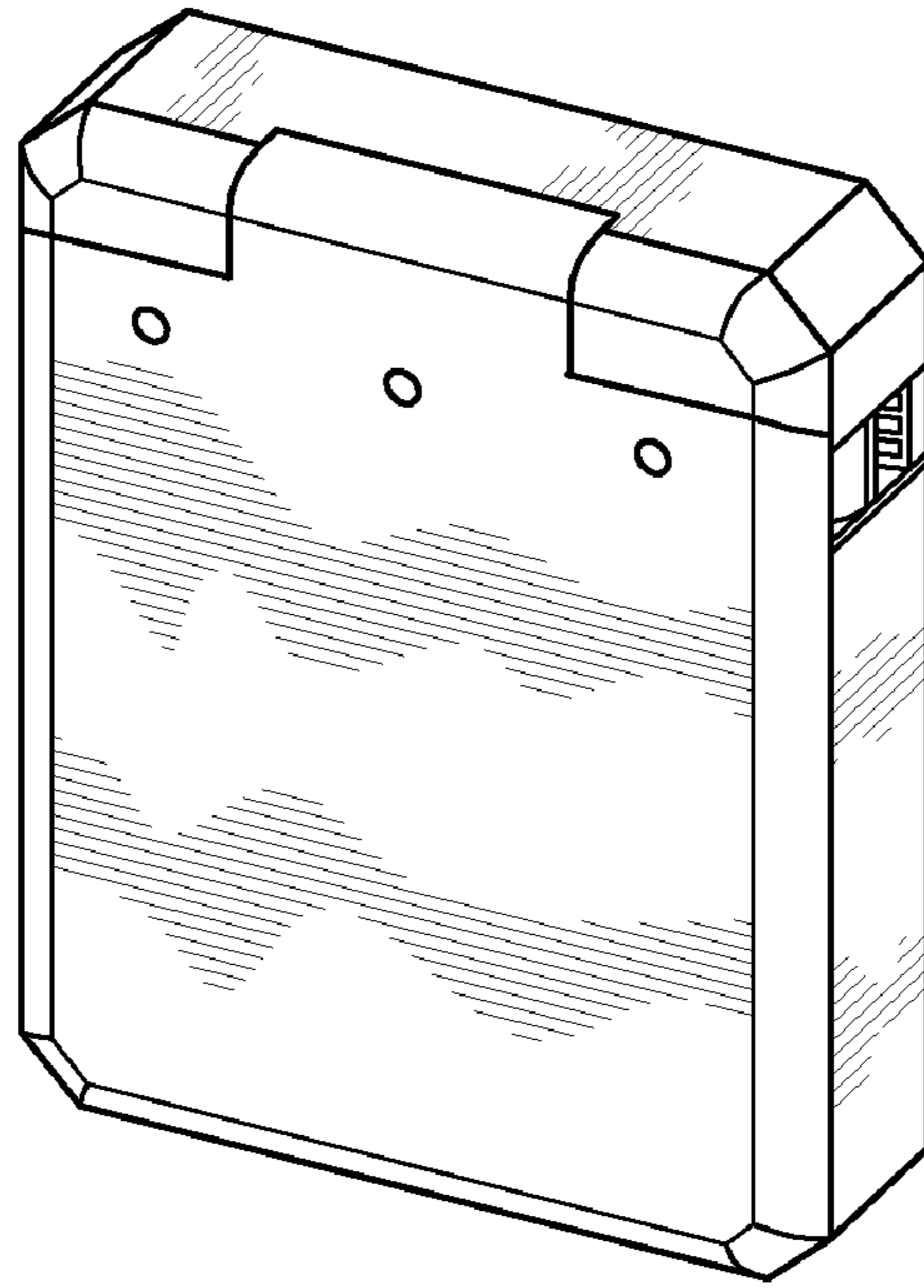


FIG. 1

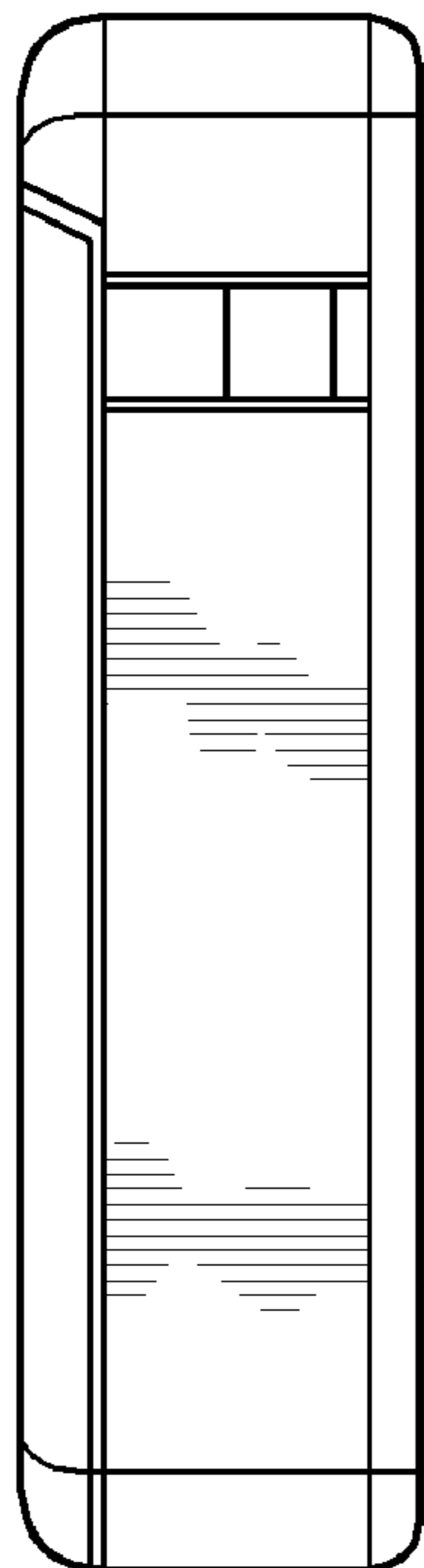


FIG. 2

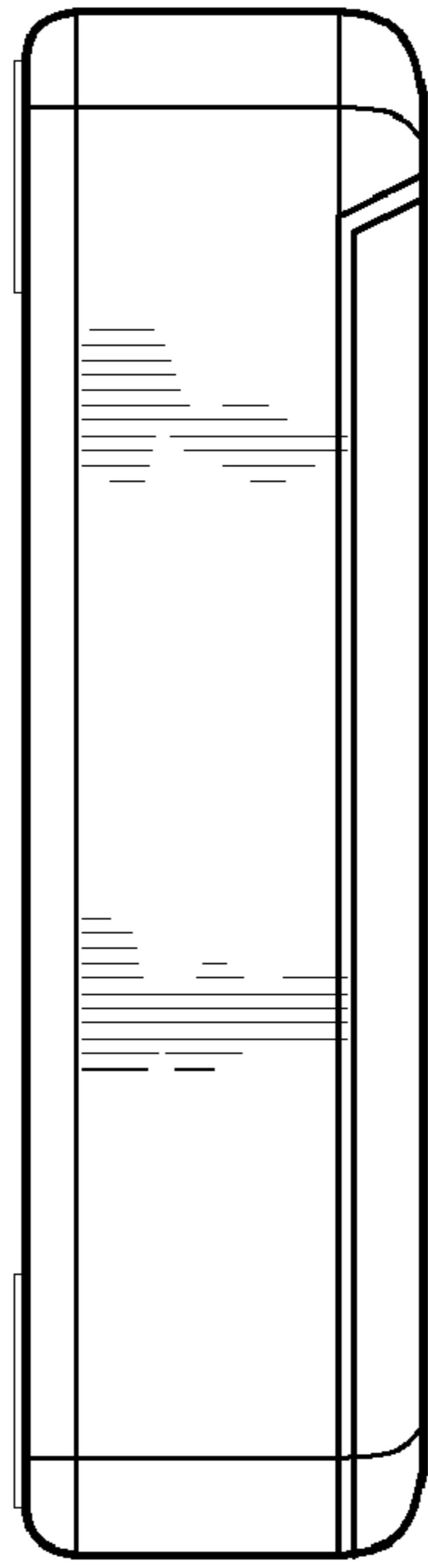


FIG. 3

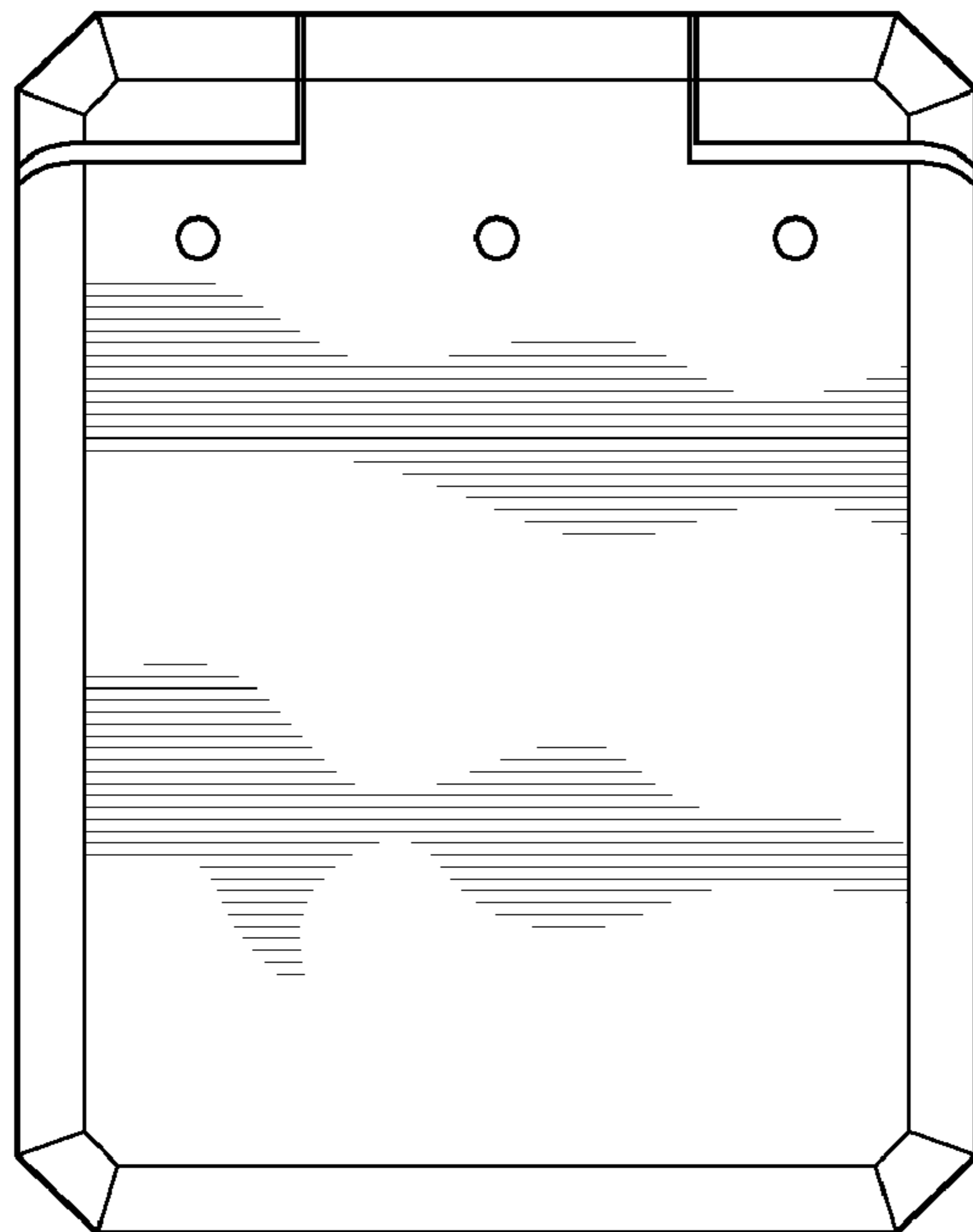


FIG. 4

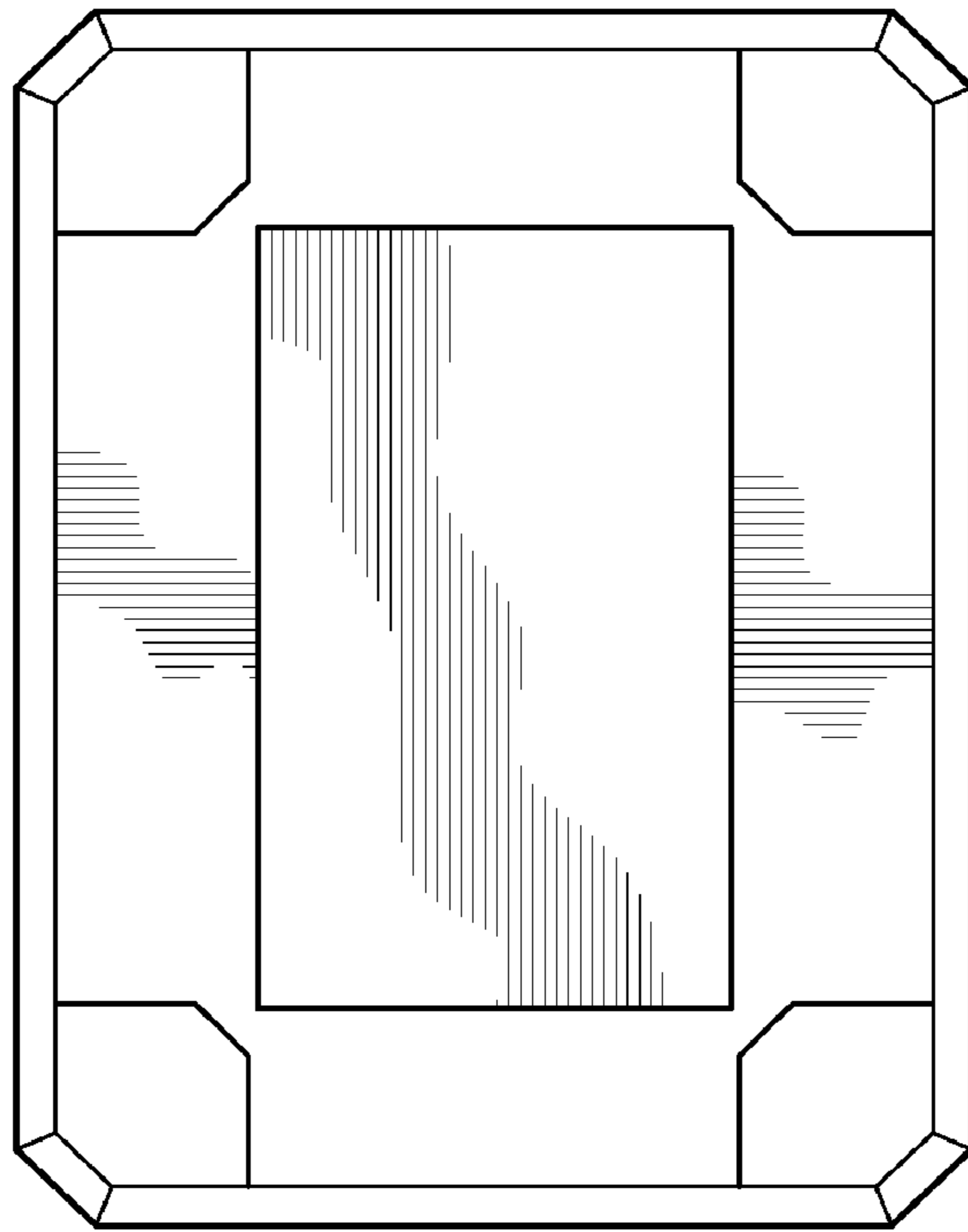


FIG. 5

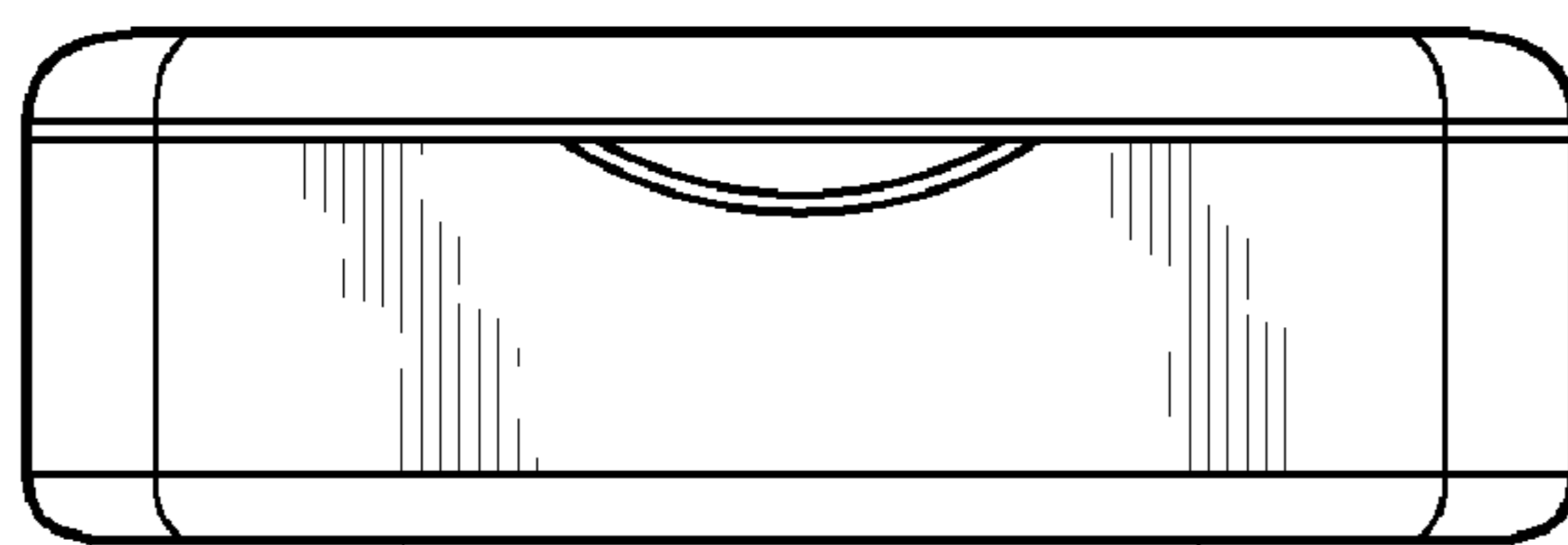


FIG. 6



FIG. 7

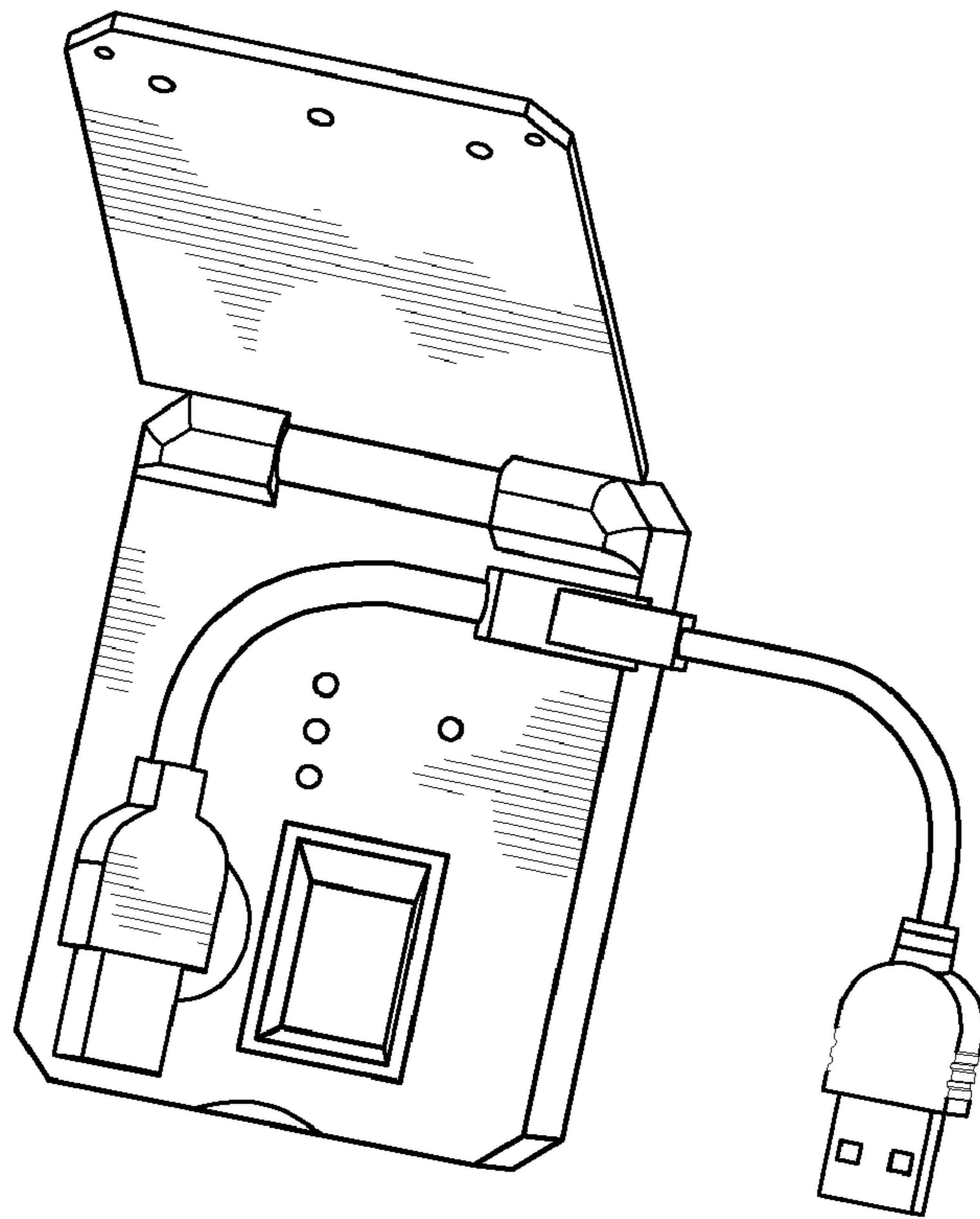


FIG. 8

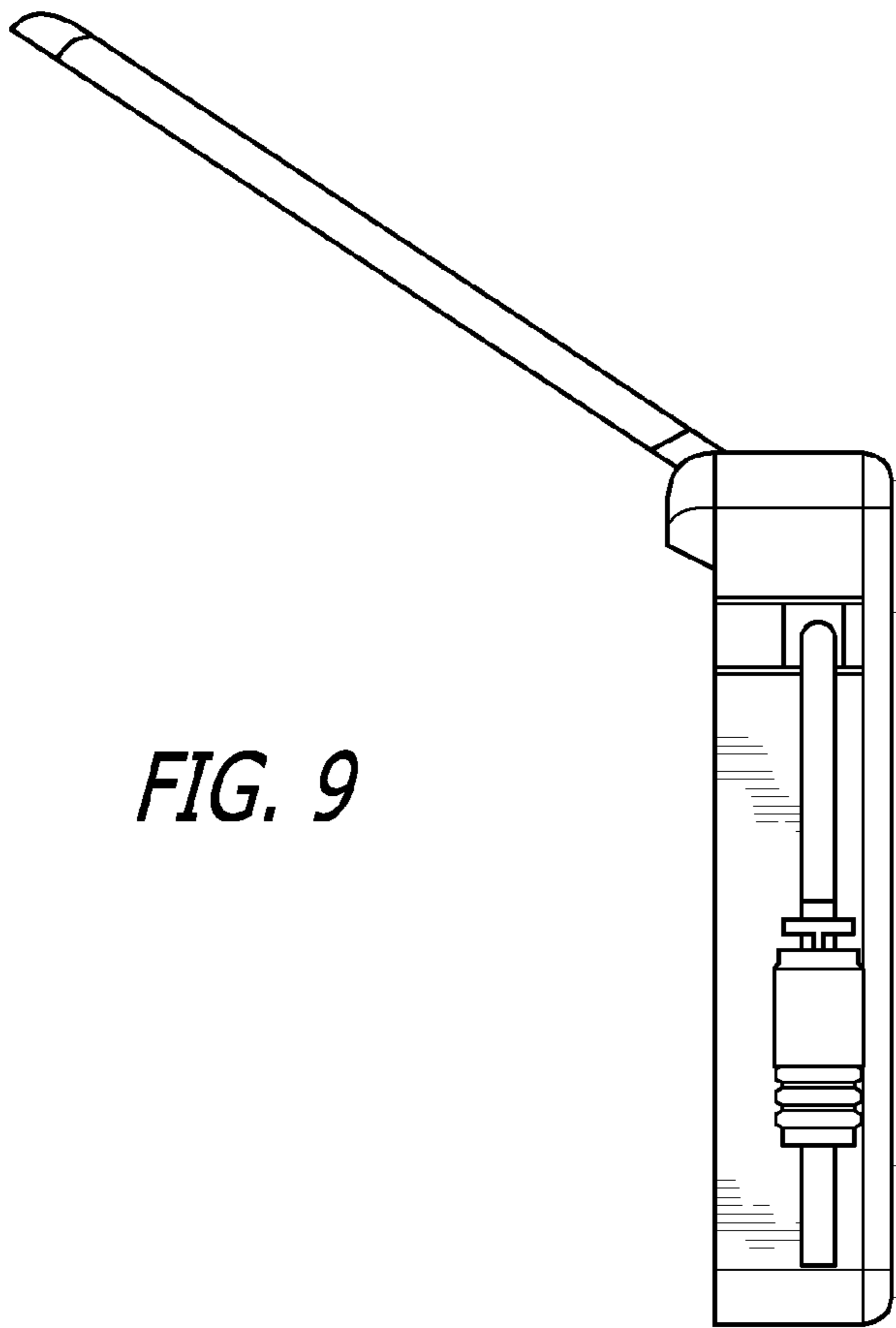


FIG. 9

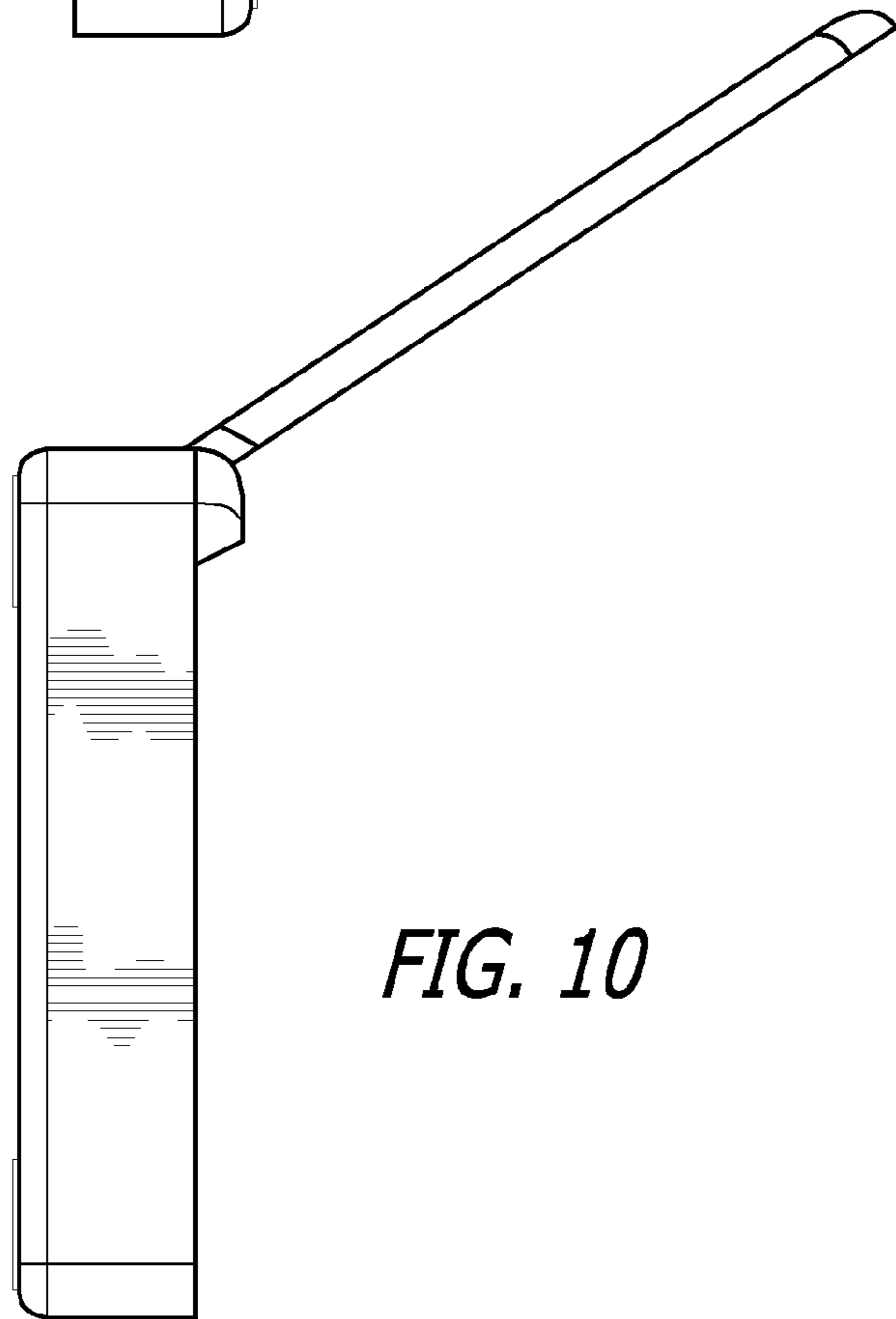


FIG. 10

