



US00D588140S

(12) **United States Design Patent**
Hsu et al.

(10) **Patent No.:** **US D588,140 S**
(45) **Date of Patent:** **** Mar. 10, 2009**

(54) **LAPTOP SUPPORT DEVICE**

(76) Inventors: **Shih-Hsiang Hsu**, Fl. 3, No. 145,
Zong-Her Street, Hualien (TW); **Eric C. Luo**, 6833 Saint Lawrence St., Plano, TX
(US) 75201

(**) Term: **14 Years**

(21) Appl. No.: **29/303,539**

(22) Filed: **Feb. 11, 2008**

(51) **LOC (9) Cl.** **08-07**

(52) **U.S. Cl.** **D14/447**

(58) **Field of Classification Search** D14/447,
D14/451, 452, 449, 251, 253, 239, 432, 434,
D14/439, 448, 450, 454, 455, 457, 458, 459,
D14/460, 461, 336, 337, 371, 372, 373, 374,
D14/375, 376, 377, 378, 379, 380, 381, 382,
D14/125, 126, 127, 129, 133, 305, 307, 335,
D14/340, 339; D6/300, 308, 310, 312, 313,
D6/314, 449, 512; D8/354, 363; D19/91;
349/58, 60; 312/7.2; 348/790, 794, 825,
348/836; 211/42, 43, 126.6, 132.1, 171,
211/195; 248/917, 918, 919, 920, 921, 922,
248/923, 924, 451, 454, 460; 361/680, 681,
361/382, 683, 686

See application file for complete search history.

(56) **References Cited**

U.S. PATENT DOCUMENTS

D350,536 S * 9/1994 McKnight et al. D14/447
D358,144 S * 5/1995 Masaaki D14/447
D369,789 S * 5/1996 Lucente et al. D14/434
D395,871 S * 7/1998 Iino D14/434
D402,642 S * 12/1998 Faranda et al. D14/434
D416,548 S * 11/1999 Sugano et al. D14/434

D460,080 S * 7/2002 Richter D14/457
D538,289 S * 3/2007 Stravitz D14/451
D557,698 S * 12/2007 Lye D14/447
D575,546 S * 8/2008 Tsay et al. D6/406.3

* cited by examiner

Primary Examiner—Jennifer Rivard
Assistant Examiner—Angela J Lee
(74) *Attorney, Agent, or Firm*—Winstead PC

(57) **CLAIM**

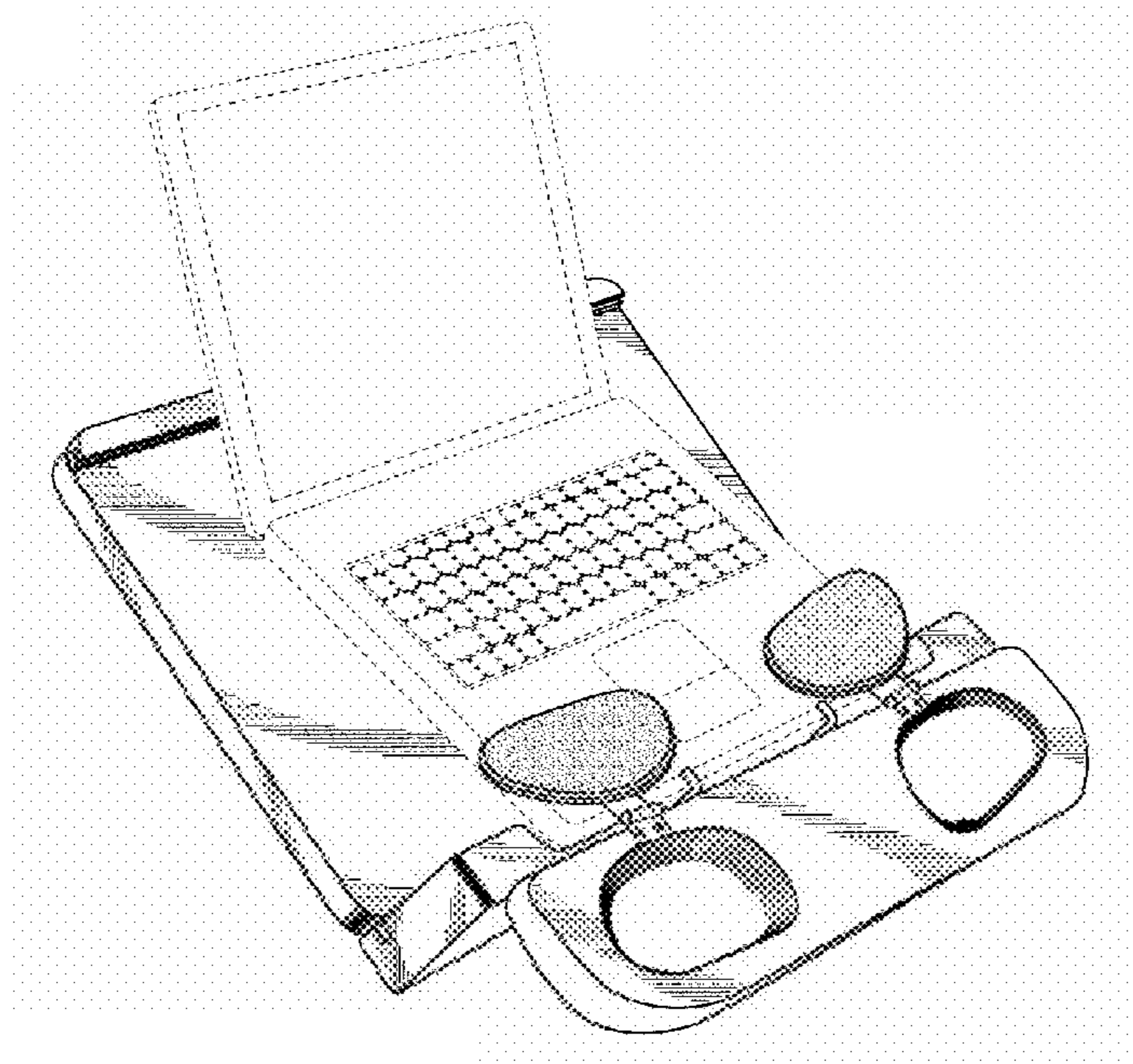
The ornamental design for the laptop support device, as shown and described.

DESCRIPTION

FIG. 1 is a perspective view from above of a laptop support device in accordance with our design;
FIG. 2 is a first side view of the laptop support device in accordance with our design;
FIG. 3 is a second side view of the laptop support device in accordance with our design;
FIG. 4 is a top plan view of the laptop support device in accordance with our design;
FIG. 5 is a bottom plan view of the laptop support device in accordance with our design;
FIG. 6 is a third side view of the laptop support device in accordance with our design; and,
FIG. 7 is a fourth side view of the laptop support device in accordance with our design.

The broken lines representing environmental structure are for illustrative purposes only and form no part of the claimed design.

1 Claim, 2 Drawing Sheets



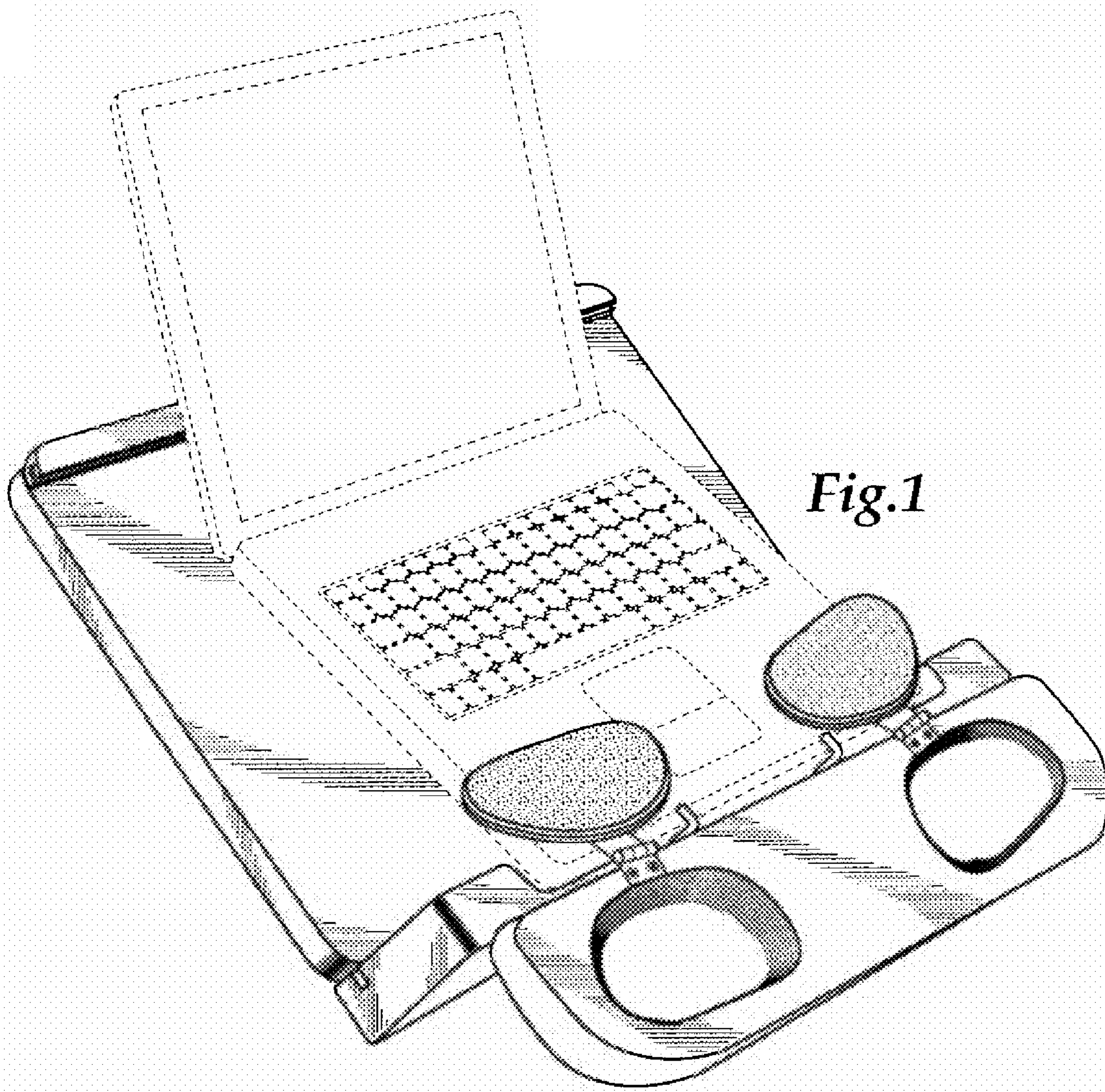


Fig.1

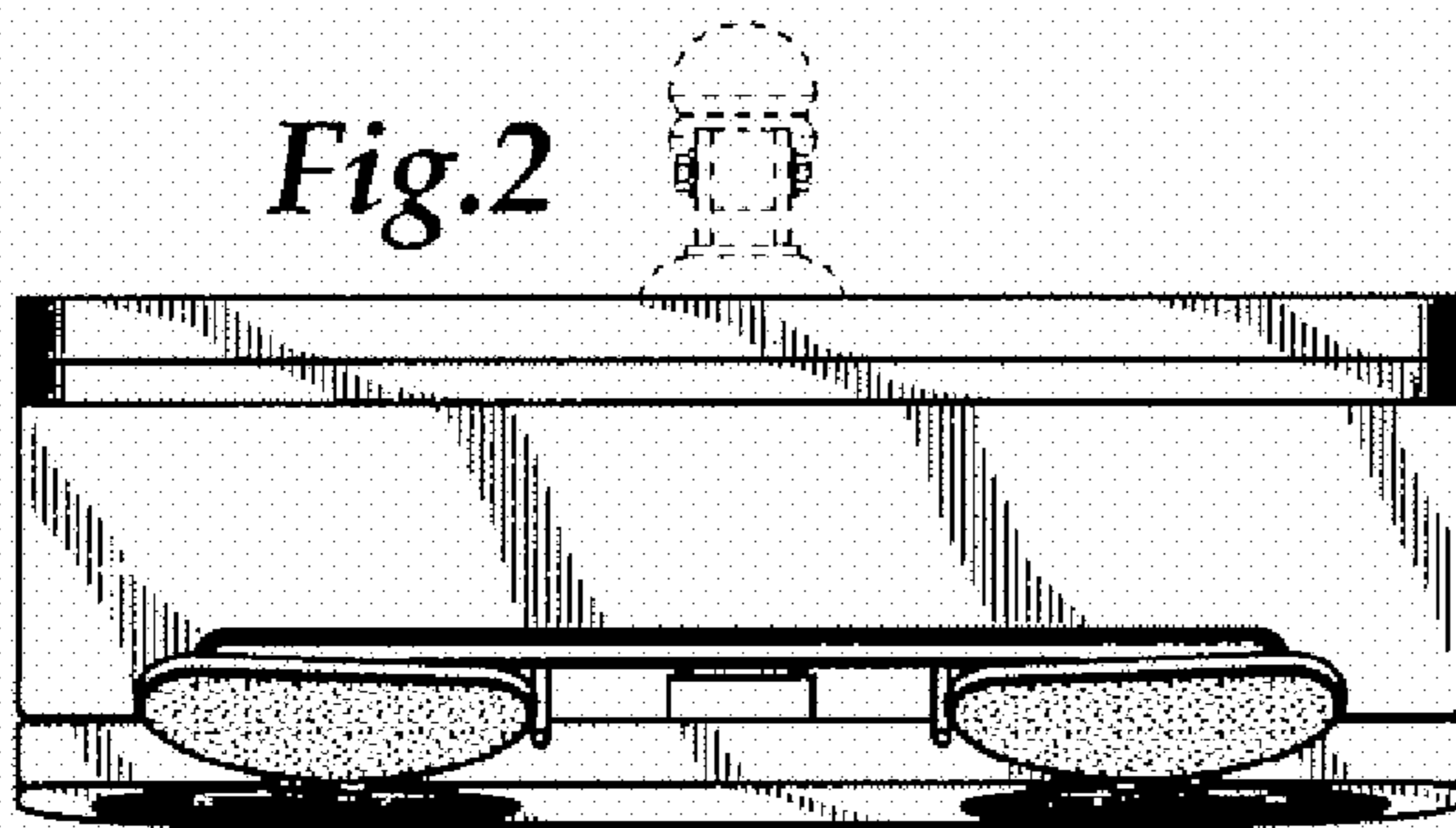


Fig.2

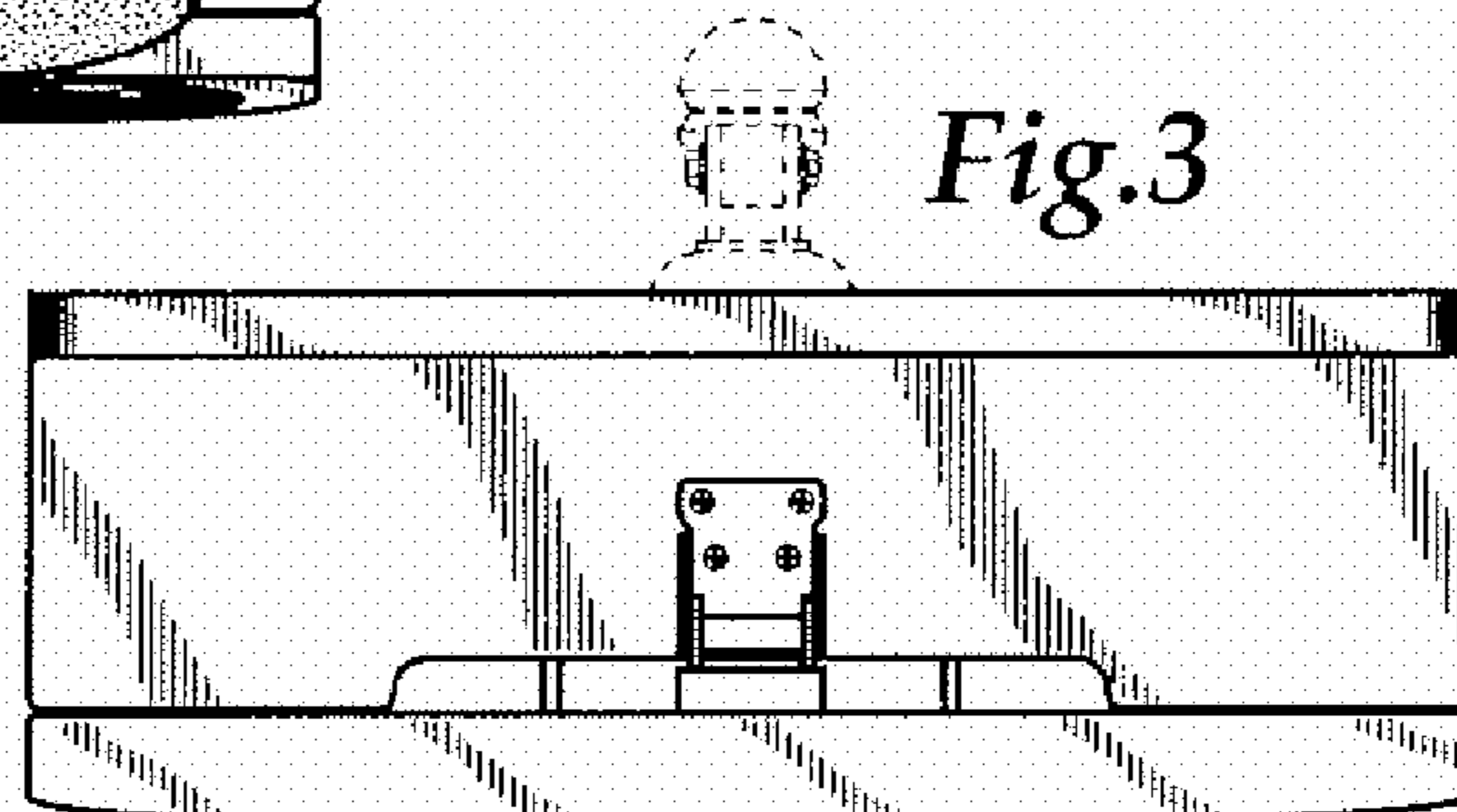


Fig.3

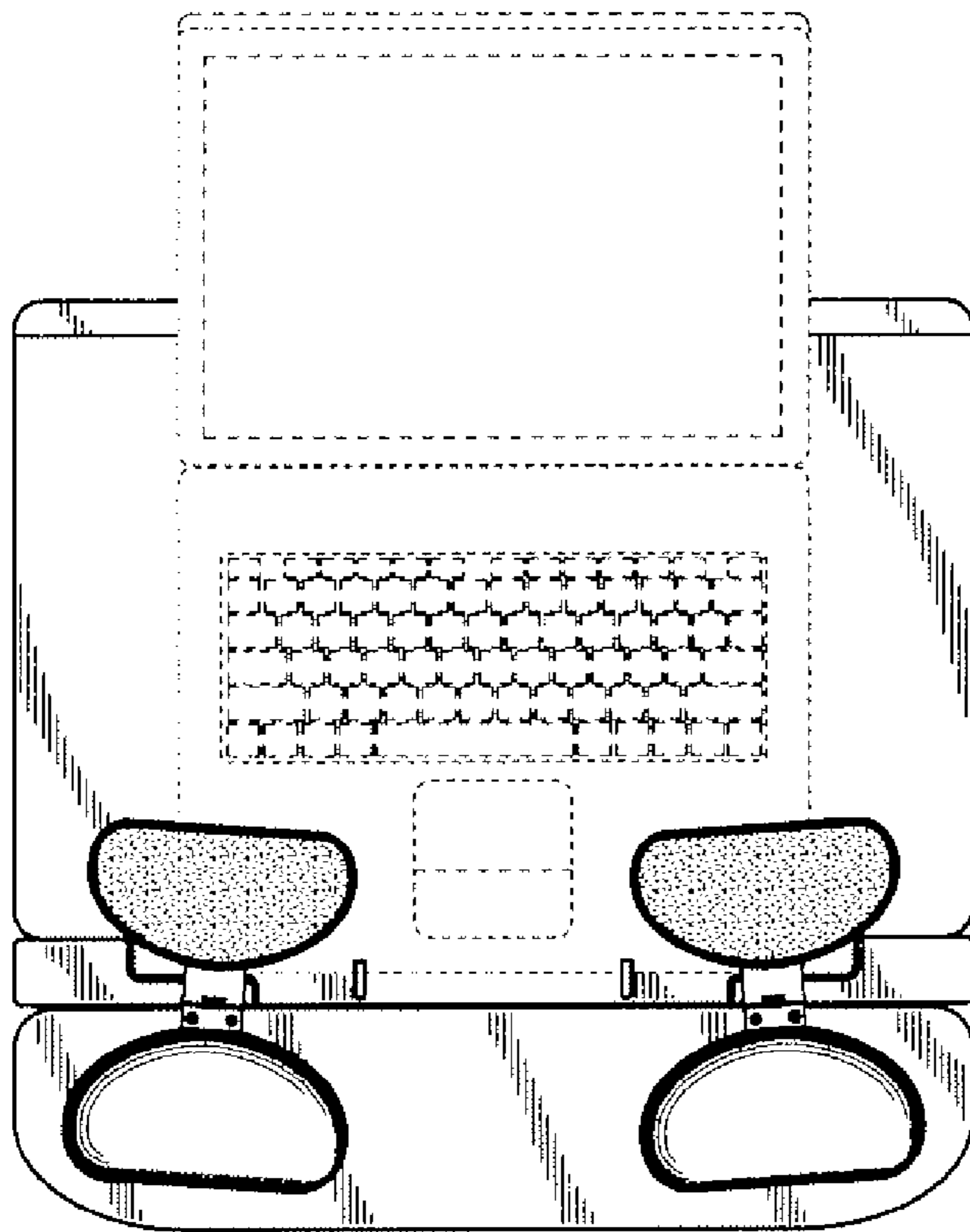


Fig.4

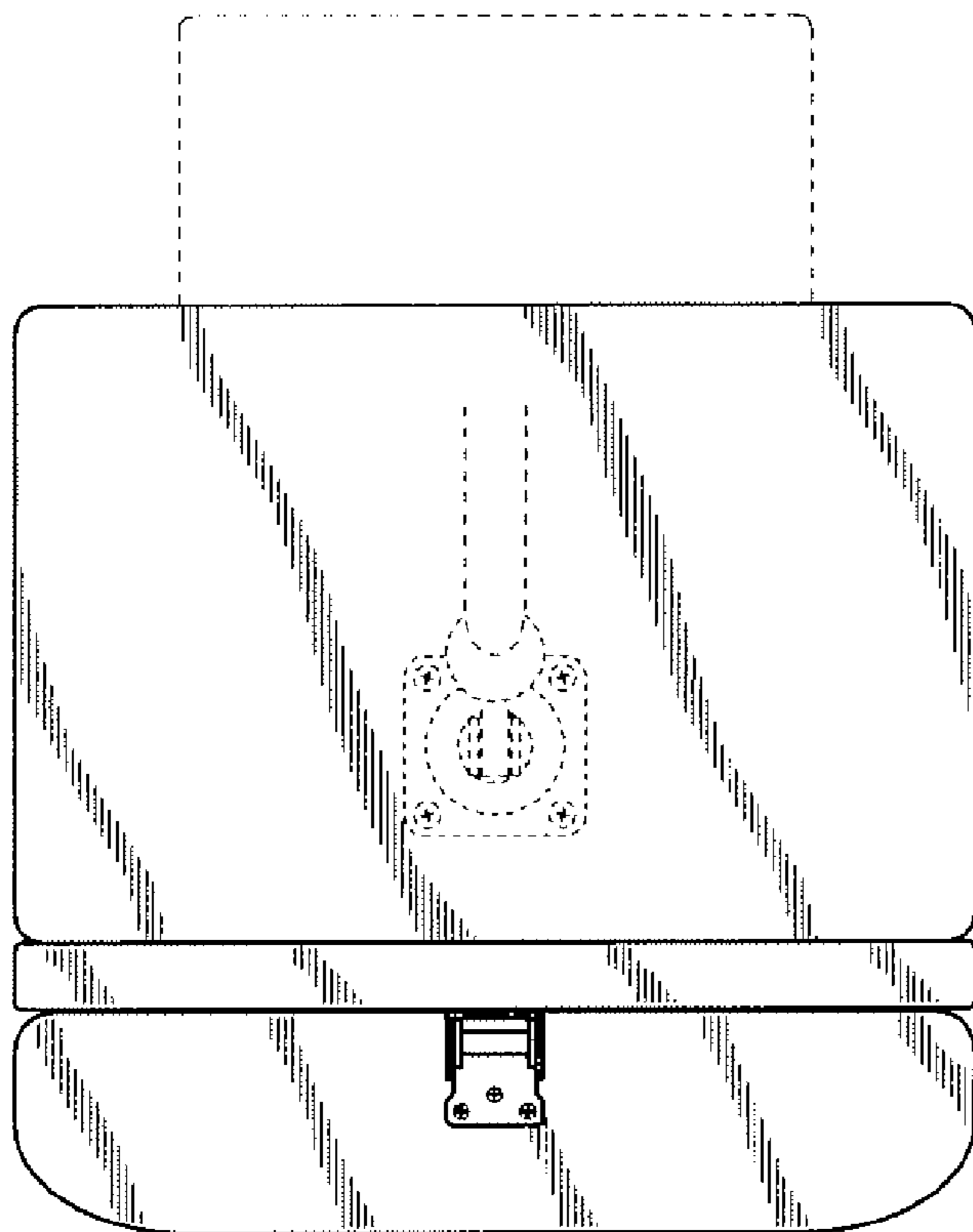


Fig.5

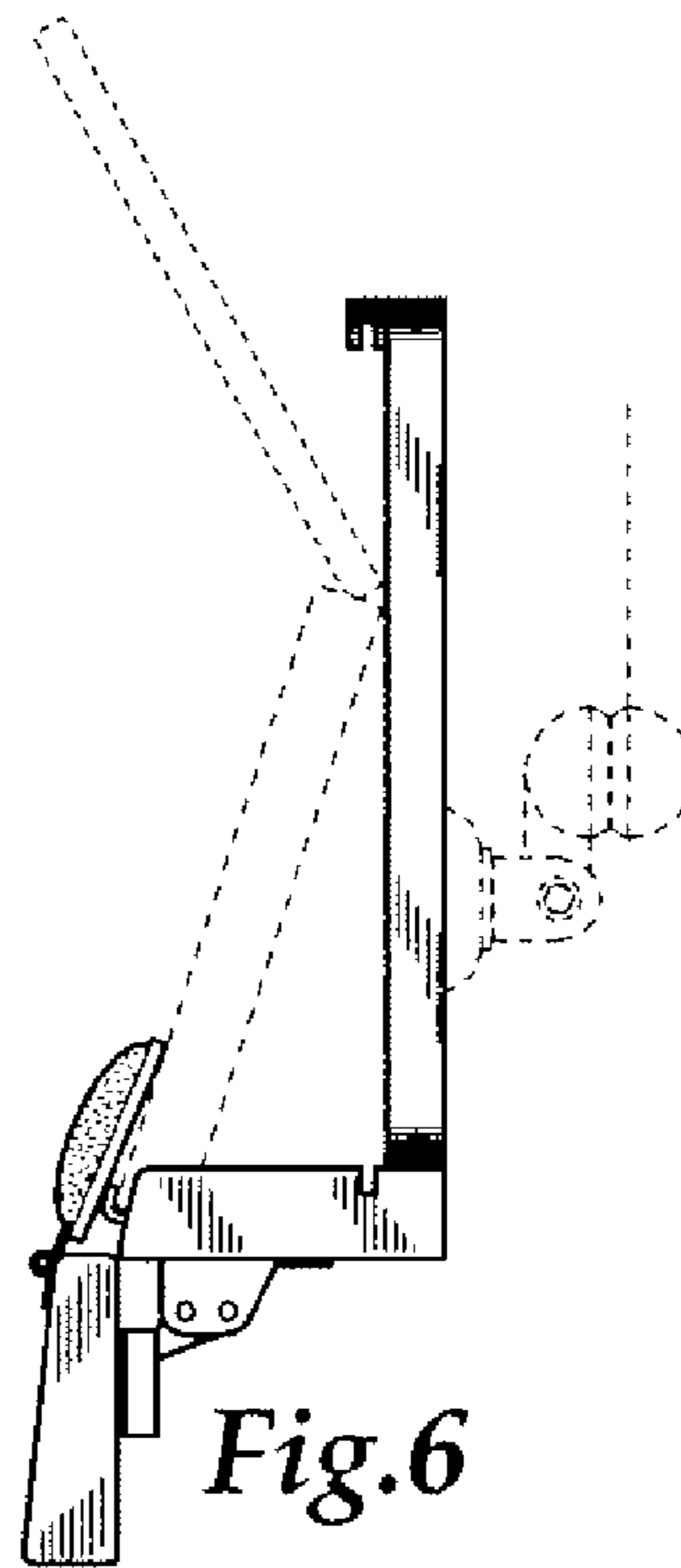


Fig.6

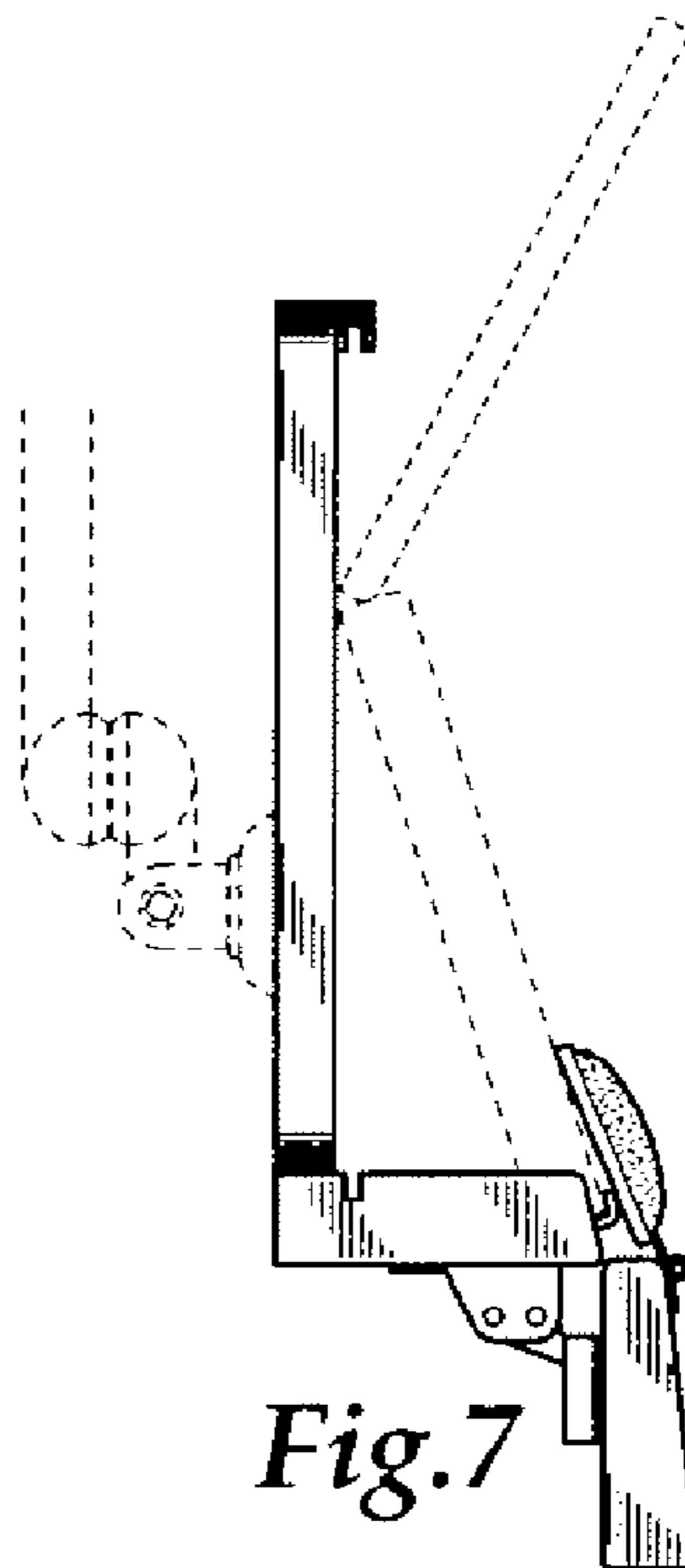


Fig.7