



US00D588136S

(12) **United States Design Patent**  
**Kawase et al.**

(10) **Patent No.:** **US D588,136 S**  
(45) **Date of Patent:** **\*\* Mar. 10, 2009**

(54) **BEZEL FOR COMPUTER**

(75) Inventors: **Atsushi Kawase**, Tokyo (JP); **Daigaku Kumano**, Tokyo (JP)

(73) Assignee: **Sony Corporation**, Tokyo (JP)

(\*\*) Term: **14 Years**

(21) Appl. No.: **29/271,449**

(22) Filed: **Jan. 19, 2007**

(30) **Foreign Application Priority Data**

Sep. 29, 2006 (JP) ..... D2006-026393

(51) **LOC (9) Cl.** ..... **14-02**

(52) **U.S. Cl.** ..... **D14/444**

(58) **Field of Classification Search** ..... D14/441-446,  
D14/313, 353, 354, 167; D13/162, 184,  
D13/199; 211/26; 361/679-686, 690-696,  
361/818; 369/34.01, 36.01; 312/223.1-223.3;  
340/635; D10/106

See application file for complete search history.

(56) **References Cited**

**U.S. PATENT DOCUMENTS**

D239,720 S \* 4/1976 Stewart ..... D14/445  
D357,232 S \* 4/1995 Merino ..... D14/353  
D357,233 S \* 4/1995 Merino ..... D14/353

D396,712 S \* 8/1998 Poole et al. .... D14/444  
D444,137 S 6/2001 Miyazaki  
D448,755 S 10/2001 Miyazaki  
D510,356 S \* 10/2005 Chen et al. .... D14/445  
D513,240 S 12/2005 Uehara

\* cited by examiner

*Primary Examiner*—Freda S Nunn

(74) *Attorney, Agent, or Firm*—Rader, Fishman & Grauer, PLLC

(57) **CLAIM**

The ornamental design for a bezel for computer, as shown and described.

**DESCRIPTION**

FIG. 1 is a perspective view of a bezel for computer showing our new design.

FIG. 2 is a front elevational view thereof;

FIG. 3 is a left side elevational view thereof;

FIG. 4 is a right side elevational view thereof;

FIG. 5 is a top plan view thereof; and,

FIG. 6 is a bottom plan view thereof.

The elements illustrated in broken lines in the drawing figures are considered environmental only and do not form a part of the claimed design.

**1 Claim, 6 Drawing Sheets**

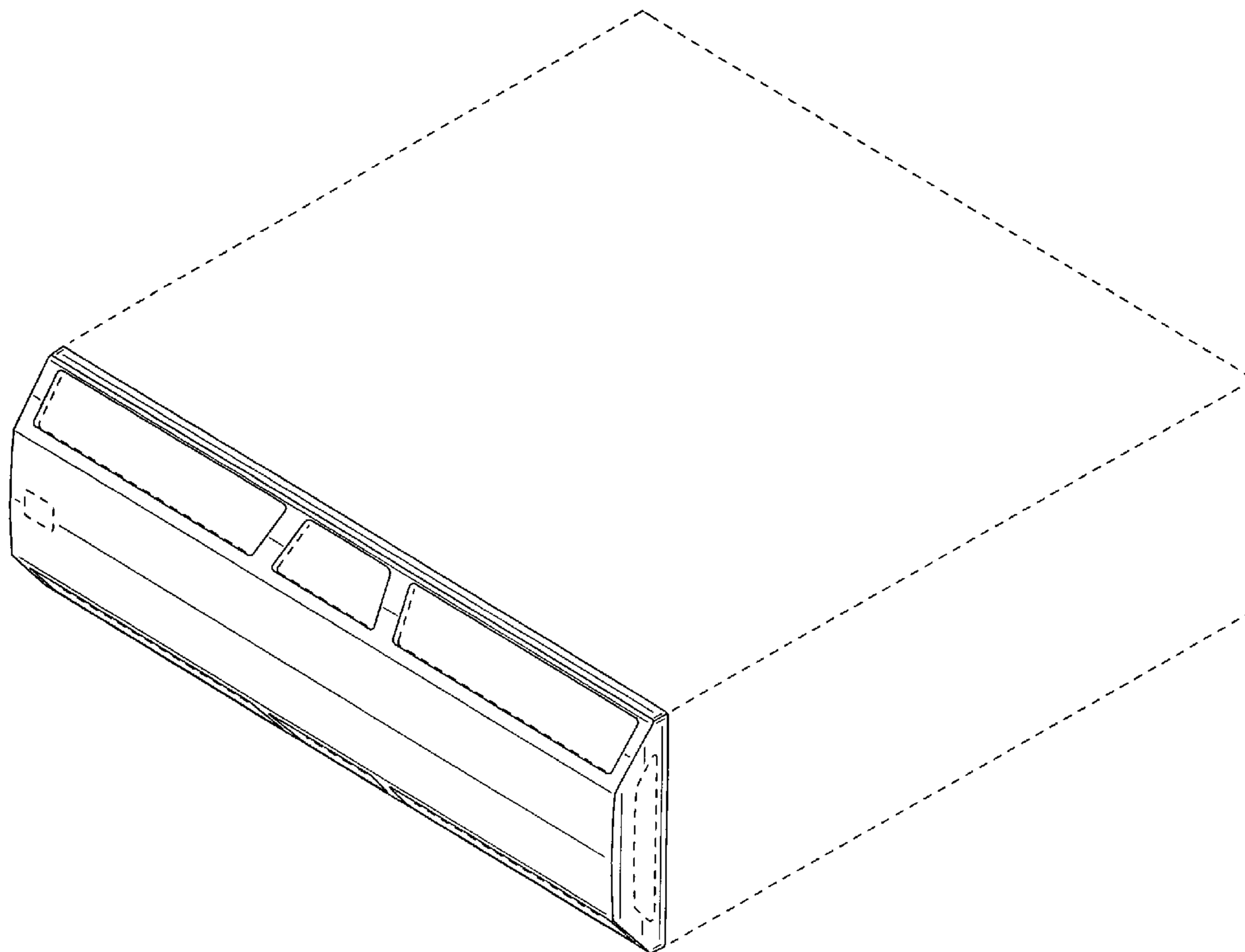


Fig.1

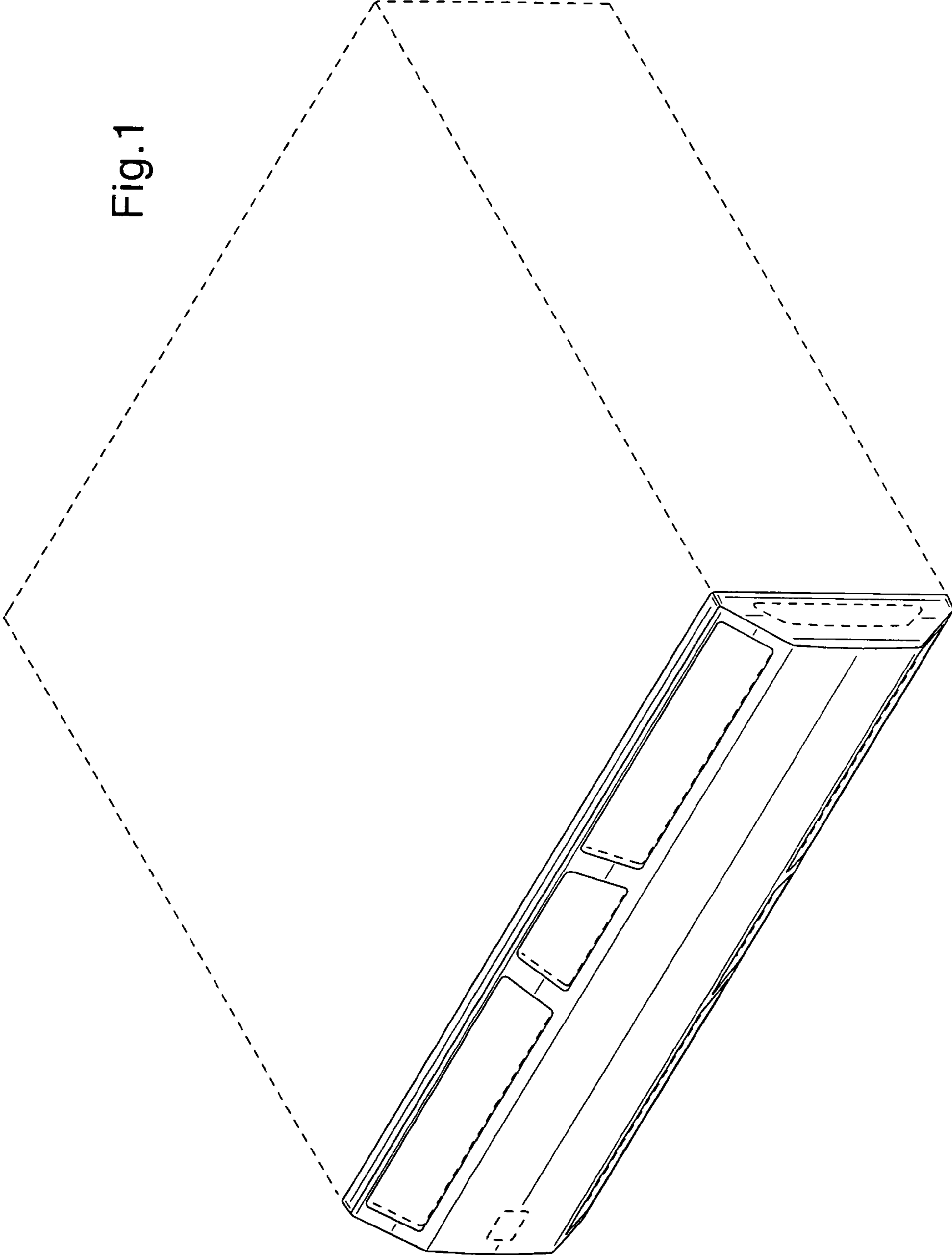


Fig. 2

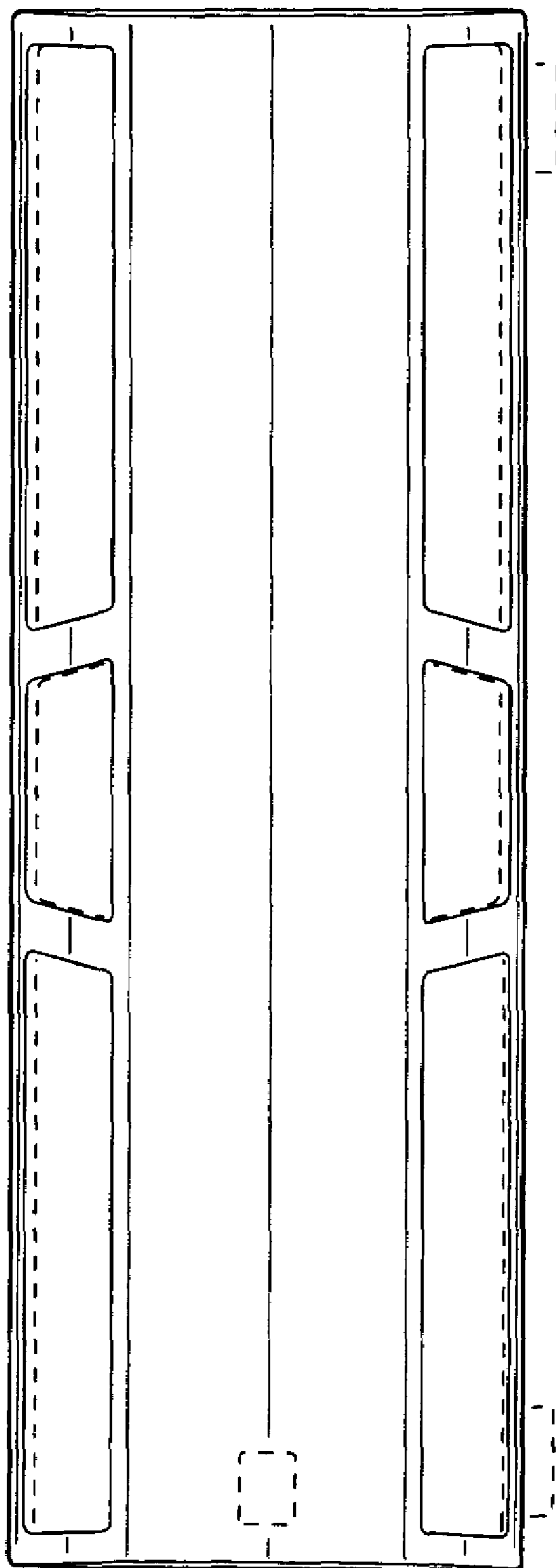


Fig. 3

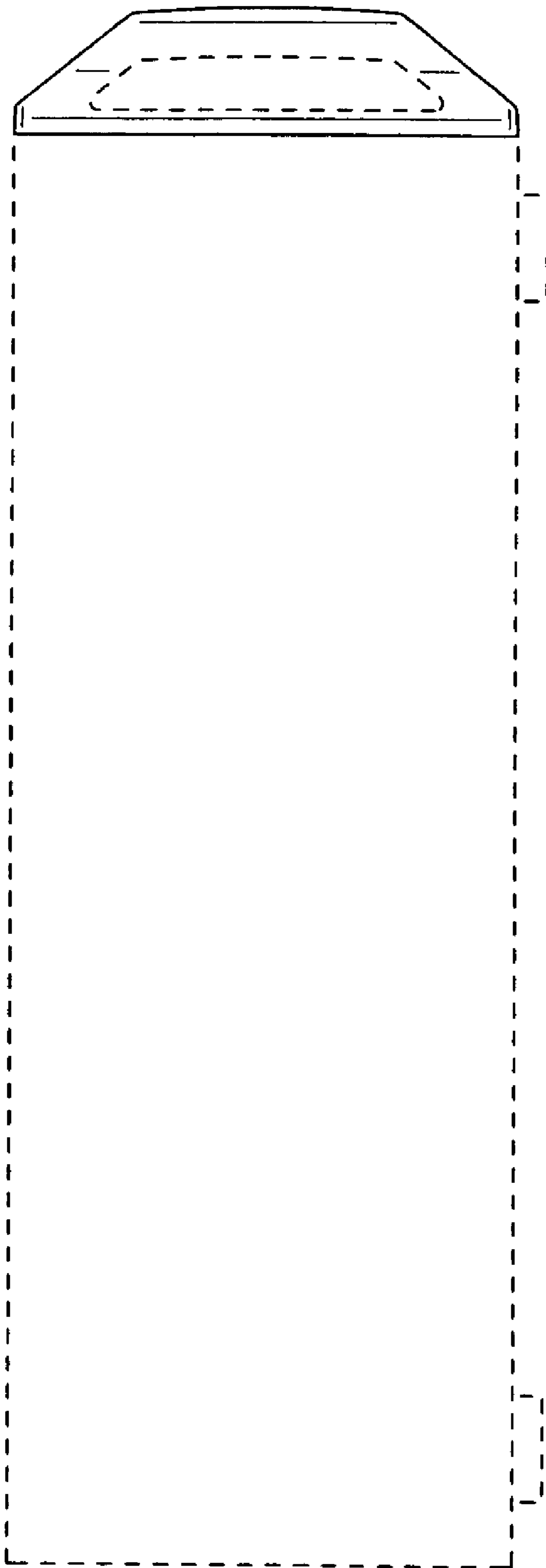


Fig. 4

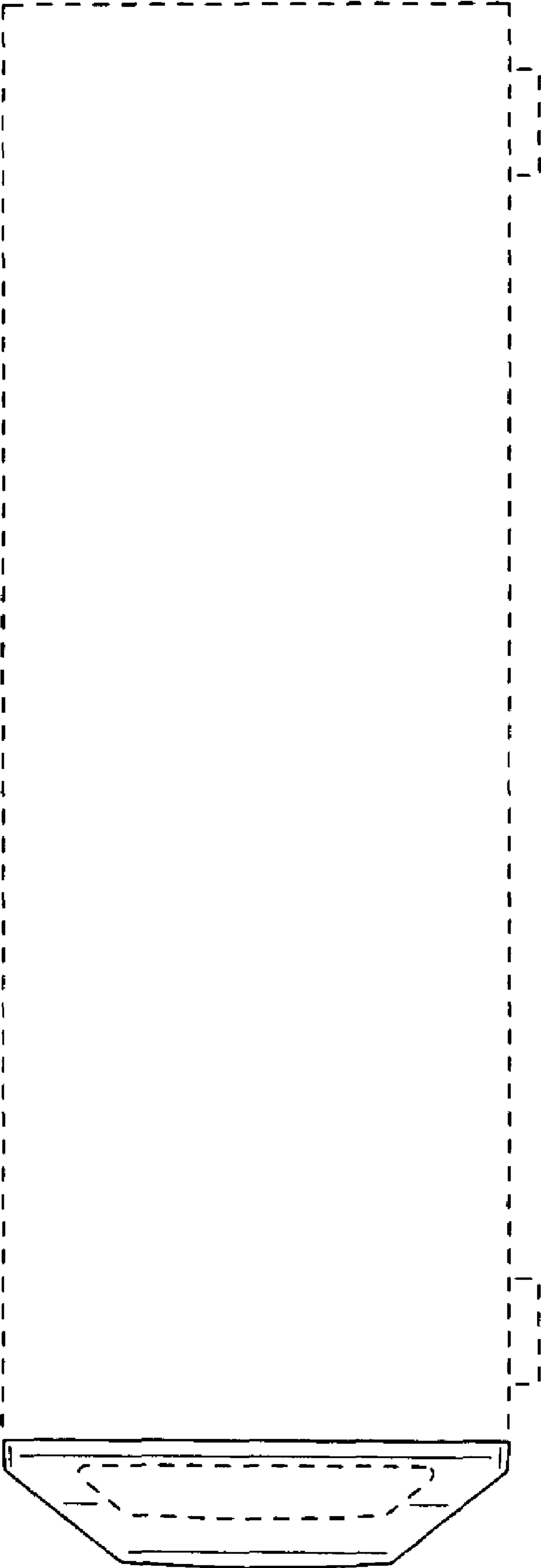


Fig.5

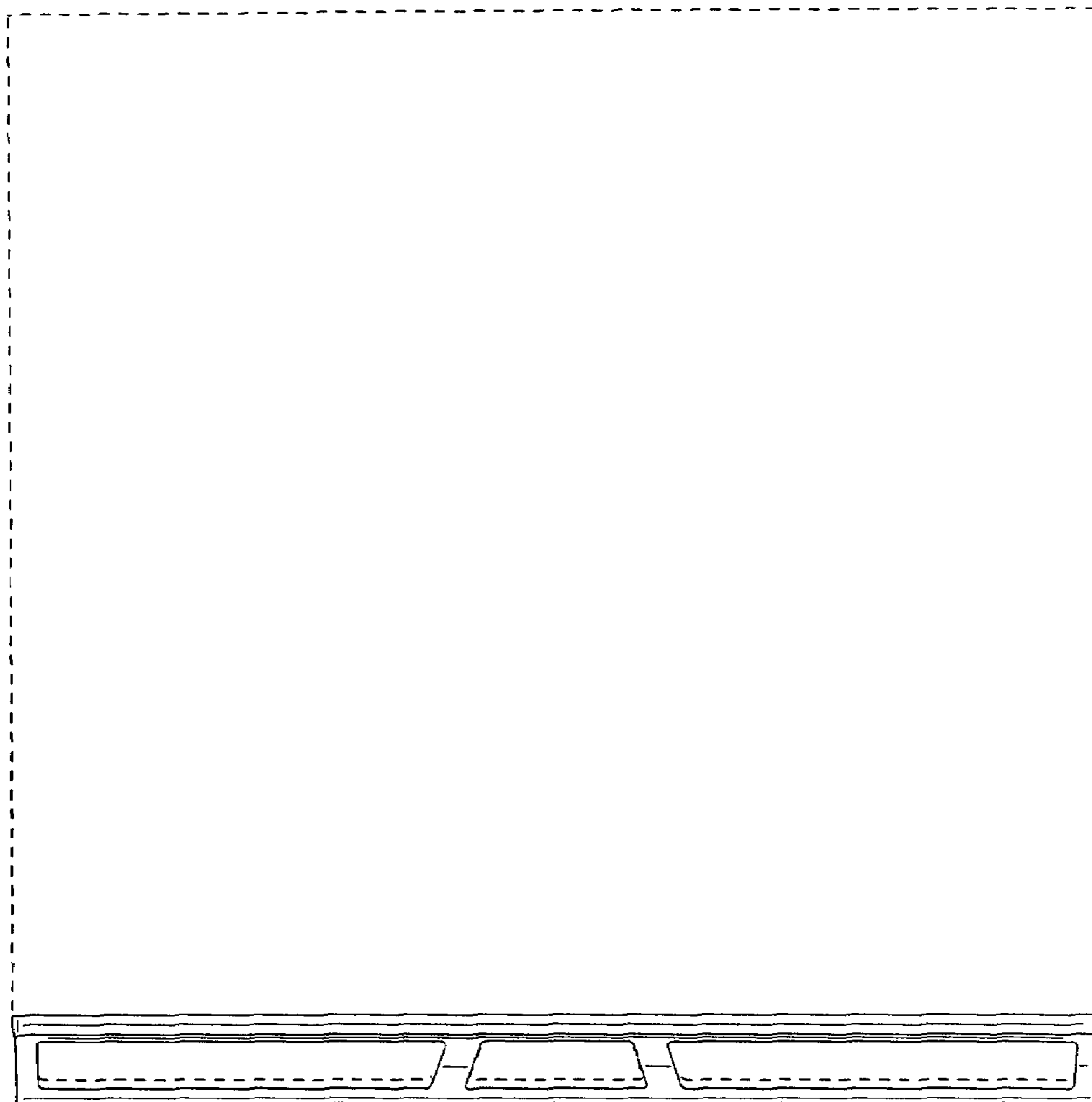


Fig.6

