



US00D588132S

(12) **United States Design Patent**
Lauffer et al.

(10) **Patent No.:** **US D588,132 S**
(45) **Date of Patent:** **** Mar. 10, 2009**

(54) **DRIVE CARRIER HANDLE**

(75) Inventors: **Scott Lauffer**, Austin, TX (US);
Richard Crisp, Austin, TX (US);
Andrew Tosh, Cedar Park, TX (US);
Glen Clifton, Austin, TX (US); **Timothy Uys**, Austin, TX (US)

(73) Assignee: **Dell Products L.P.**, Round Rock, TX (US)

(**) Term: **14 Years**

(21) Appl. No.: **29/275,834**

(22) Filed: **Jan. 8, 2007**

(51) **LOC (9) Cl.** **14-02**

(52) **U.S. Cl.** **D14/432**

(58) **Field of Classification Search** D14/300-302,
D14/308-314, 328, 348, 349, 356-370, 432,
D14/439-447, 465, 134; D13/123, 133,
D13/146, 147, 154, 156, 158, 162, 173, 175,
D13/177, 184, 110; D8/331, 336, 338, 349;
361/683-686, 725-727; 439/372, 116, 157;
312/333, 332.1, 223.1

See application file for complete search history.

(56) **References Cited**

U.S. PATENT DOCUMENTS

3,193,342	A *	7/1965	Sauter	312/332.1
D348,259	S *	6/1994	Bates et al.	D14/367
D358,141	S	5/1995	Pecone et al.	D14/109
D424,027	S *	5/2000	Shoda et al.	D13/184
6,266,248	B1 *	7/2001	Hanas et al.	361/752
D448,028	S *	9/2001	McAllister et al.	D14/363
6,359,778	B1 *	3/2002	Wu	361/685
D461,807	S *	8/2002	Kuehn et al.	D14/367
6,490,153	B1 *	12/2002	Casebolt et al.	361/685

D476,631	S *	7/2003	Frank et al.	D13/182
D476,990	S *	7/2003	Lee et al.	D14/363
D484,509	S *	12/2003	Frank et al.	D14/441
D494,159	S *	8/2004	Wilson et al.	D14/313
D494,975	S *	8/2004	McClelland et al.	D14/435
6,795,650	B2 *	9/2004	Cahall	396/374
D508,053	S *	8/2005	Cox et al.	D14/432
D514,109	S *	1/2006	McClelland et al.	D14/439
D518,827	S *	4/2006	McClelland et al.	D14/439
7,306,224	B2 *	12/2007	Munoz	361/752
7,379,294	B2 *	5/2008	Chen	361/685

* cited by examiner

Primary Examiner—Cathron C Brooks

Assistant Examiner—Deanna Fluegeman

(74) *Attorney, Agent, or Firm*—Hamilton & Terrile LLP;
Stephen A. Terrile

(57) **CLAIM**

The ornamental design for a drive carrier handle, as shown and described.

DESCRIPTION

FIG. 1 is a front perspective view of the drive carrier handle with the handle closed comprising the present invention;

FIG. 2 is a front perspective view of the drive carrier handle with the handle open comprising the present invention;

FIG. 3 is a front side view thereof;

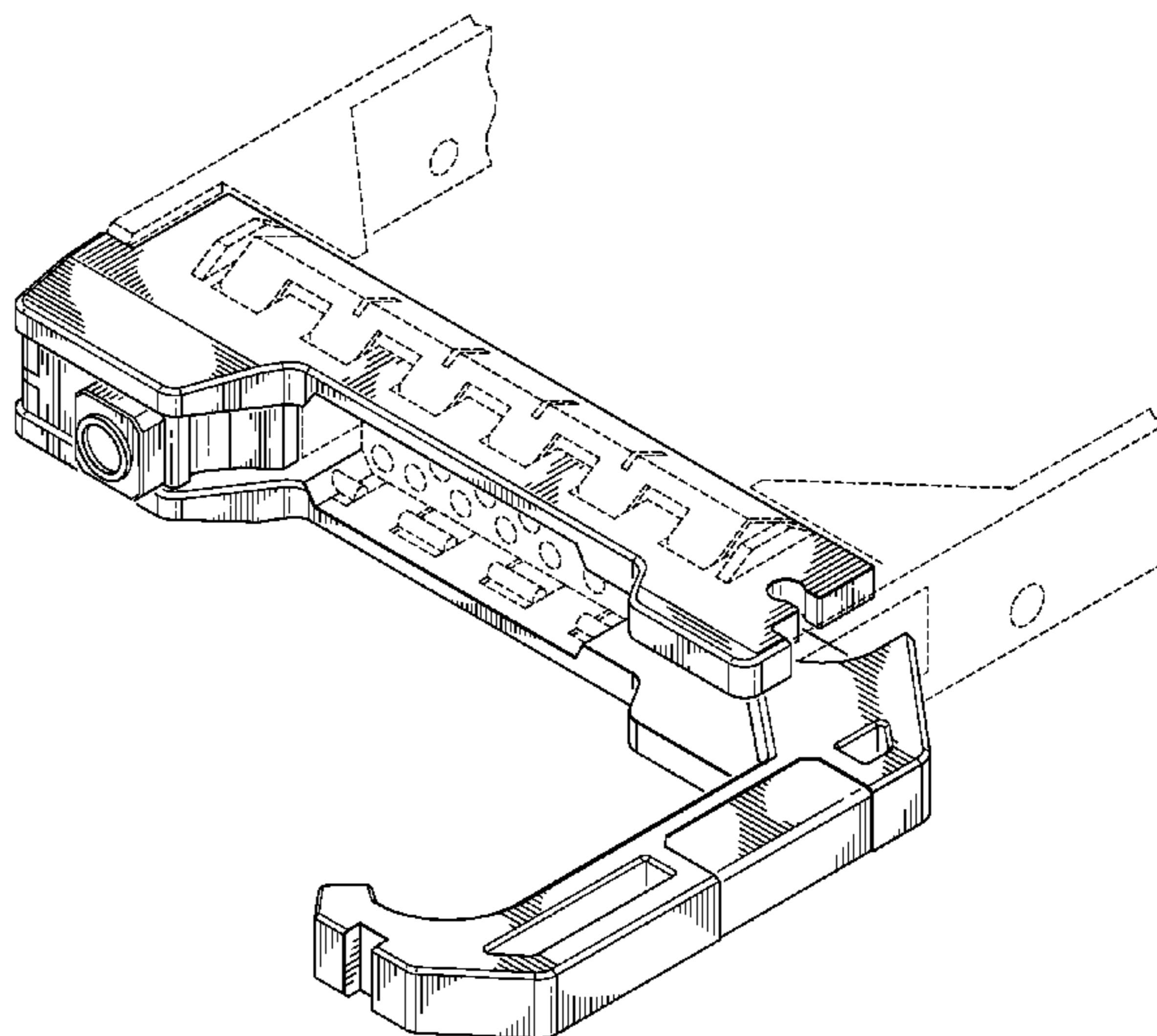
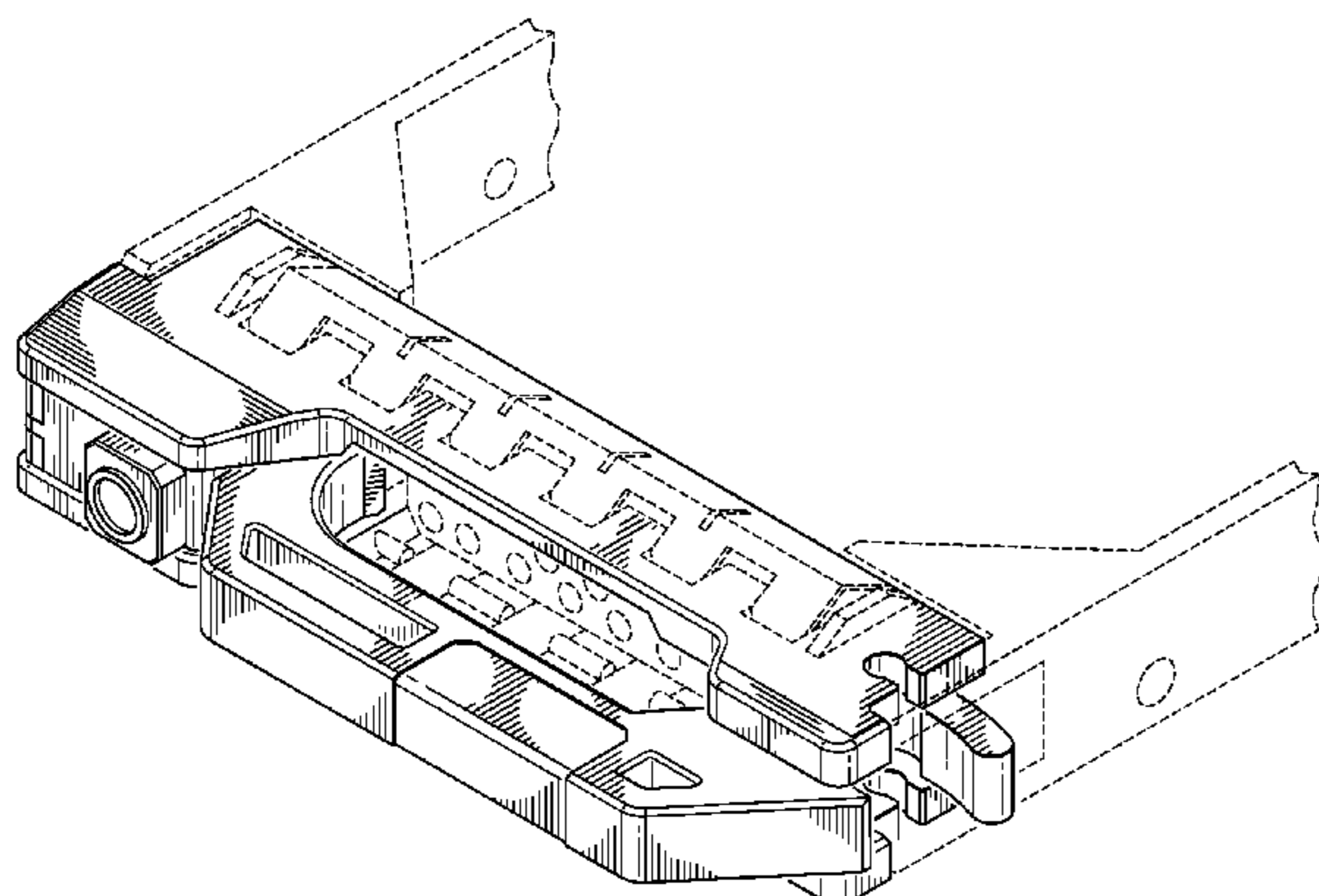
FIG. 4 is a left side view thereof;

FIG. 5 is a right side view thereof; and,

FIG. 6 is a bottom plan view thereof.

The broken line showing of portions of the drive carrier handle is included for the purpose of illustrating environmental structure and forms no part of the claimed design.

1 Claim, 3 Drawing Sheets



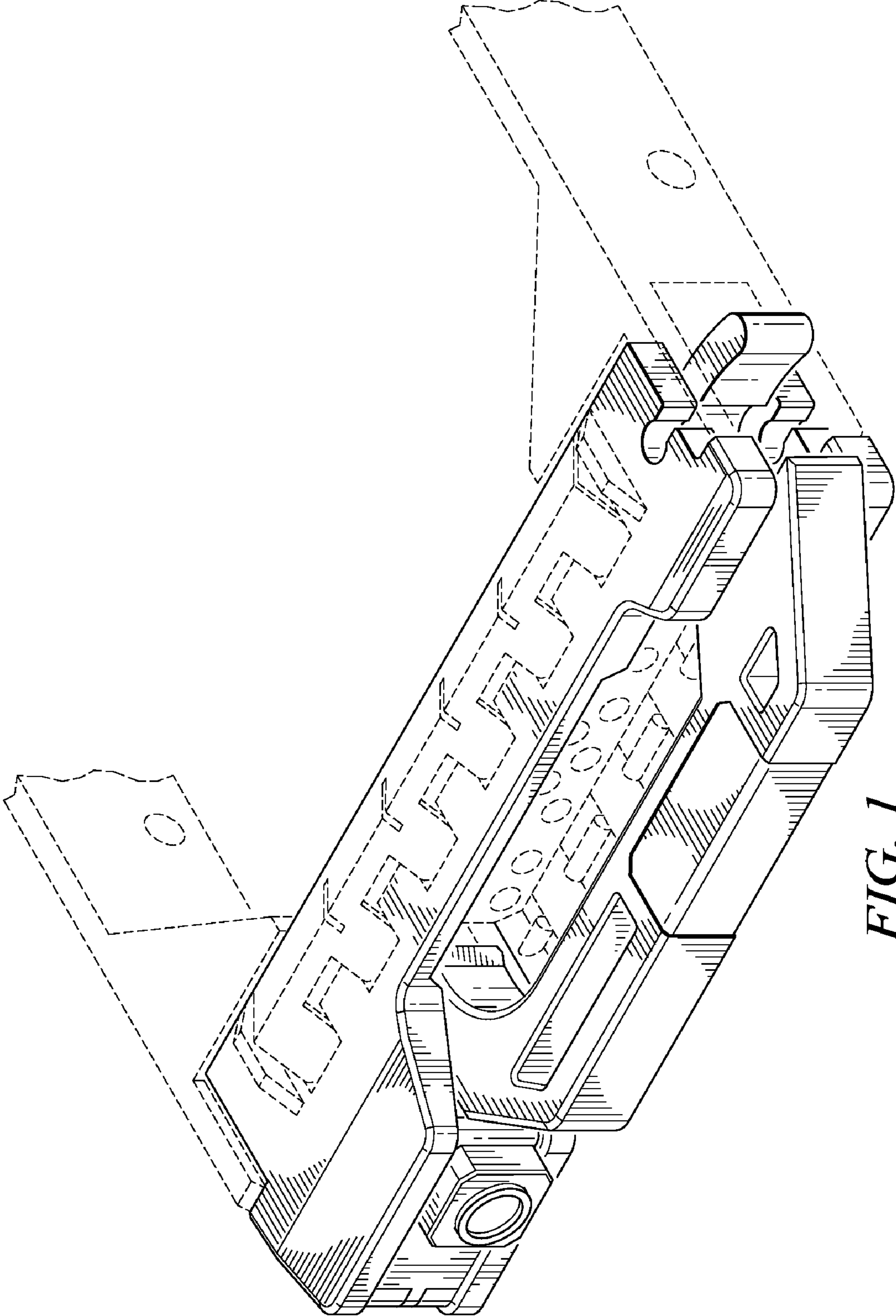


FIG. 1

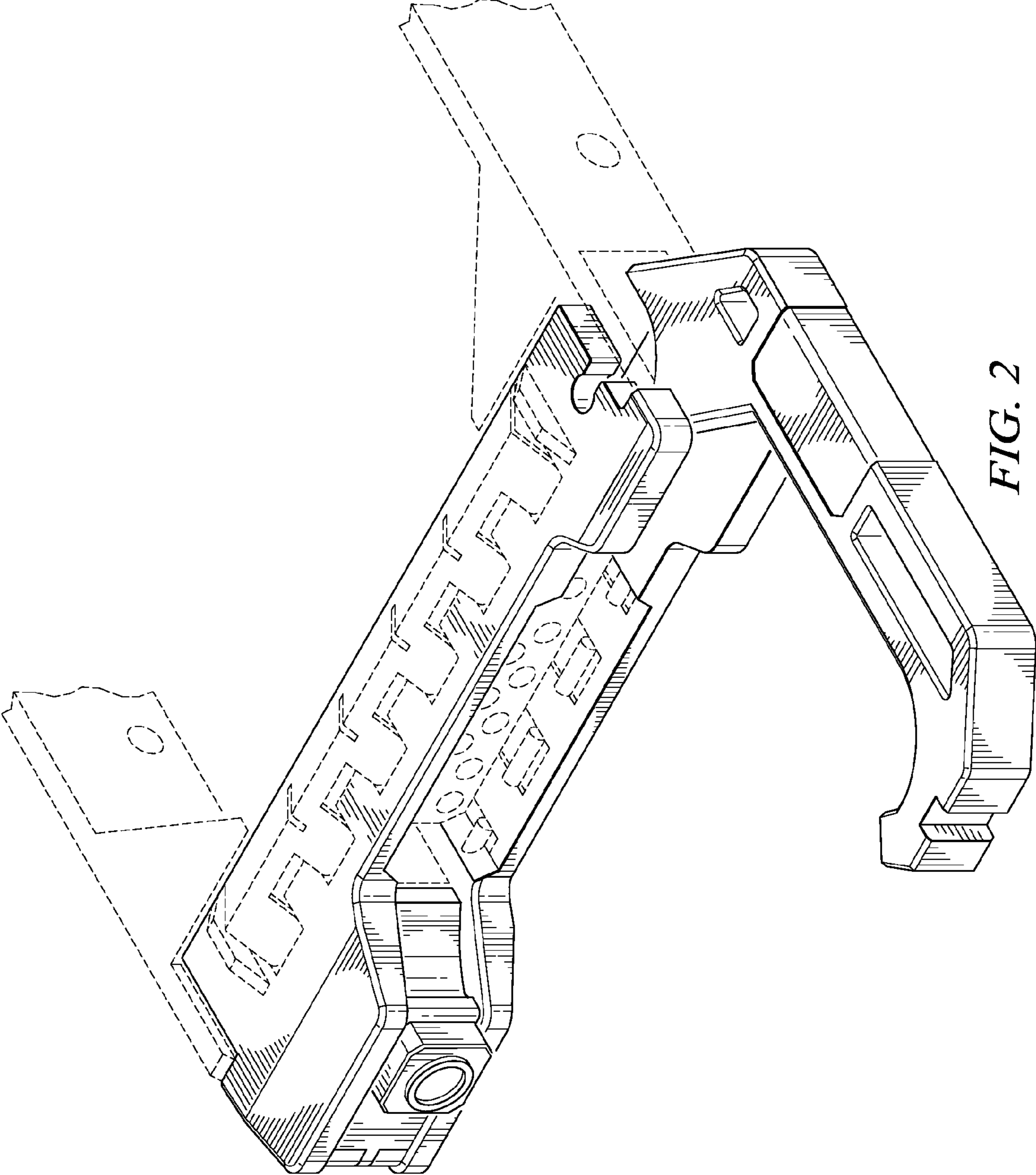


FIG. 2

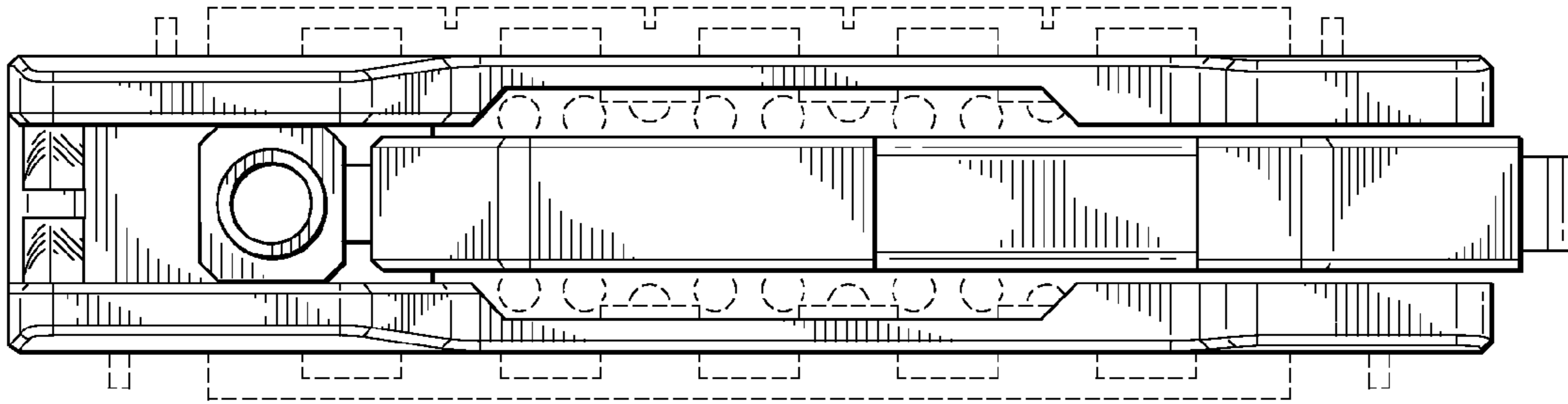


FIG. 3

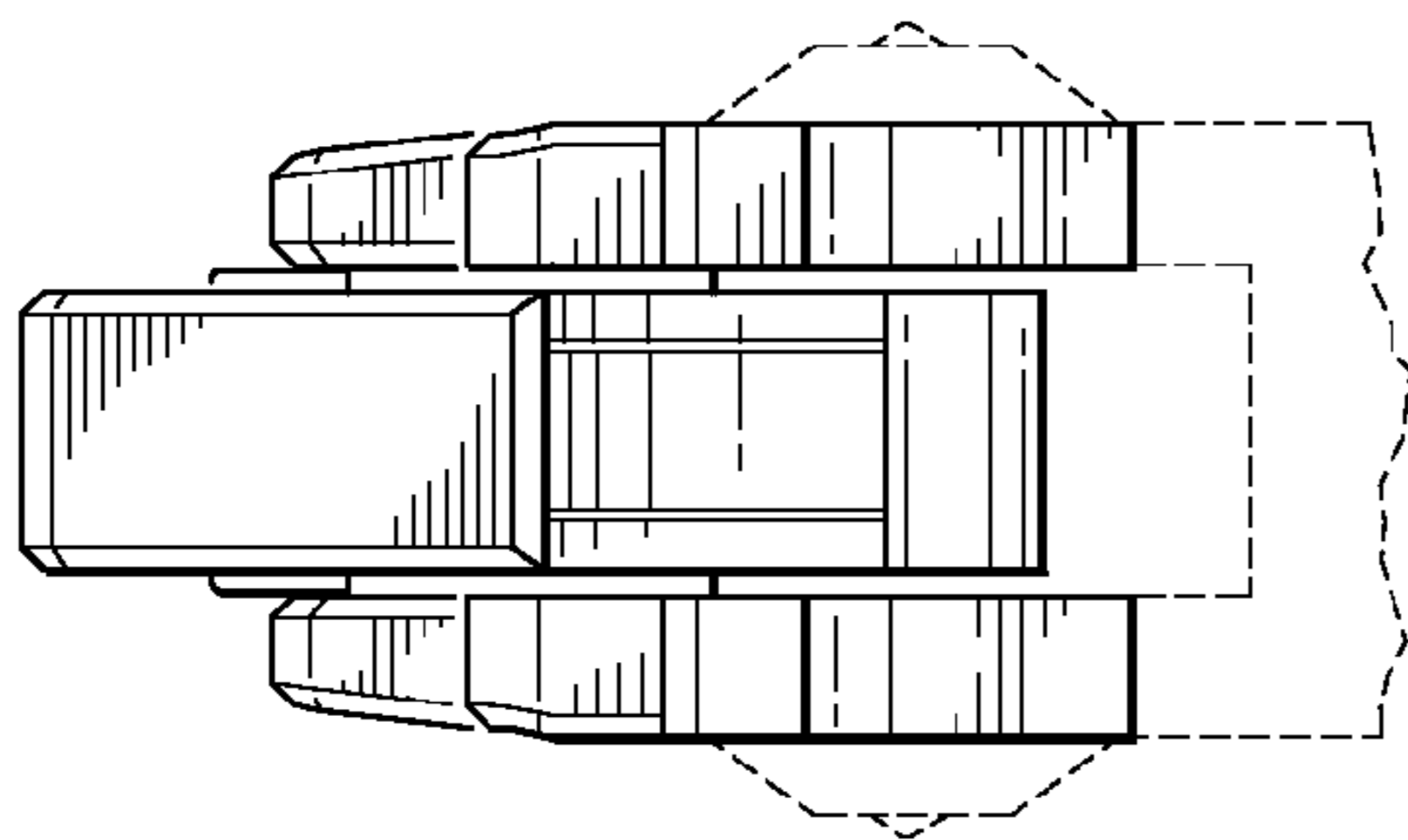


FIG. 4

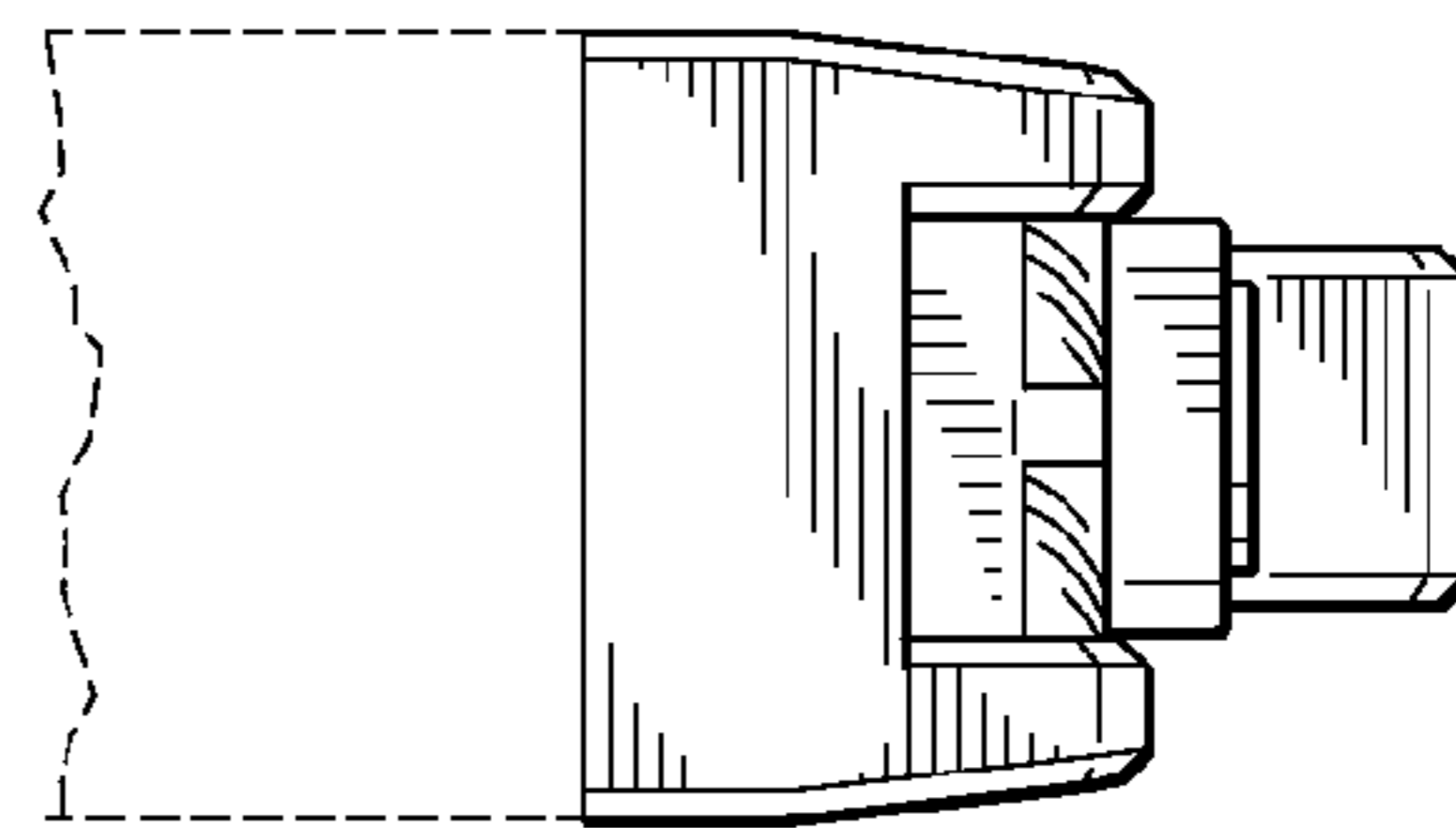


FIG. 5

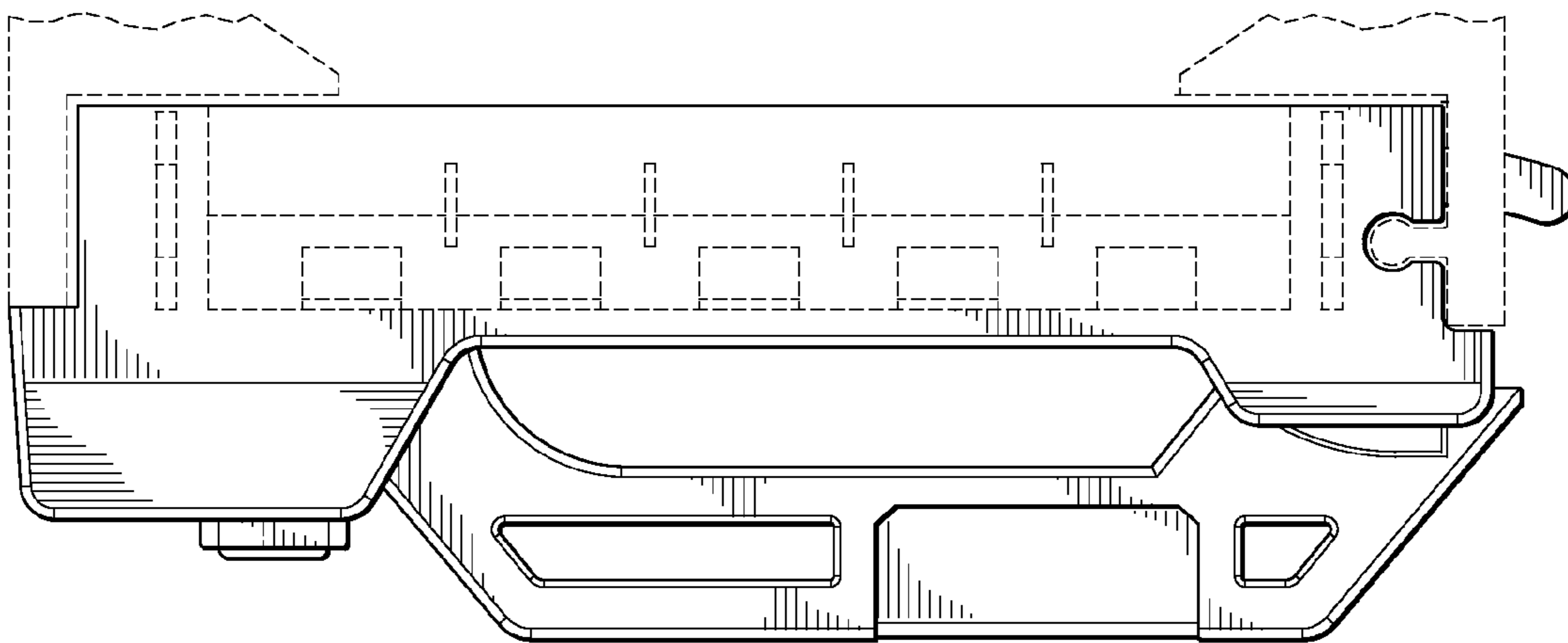


FIG. 6