



US00D588130S

(12) **United States Design Patent**
Leonard et al.

(10) **Patent No.:** **US D588,130 S**
(45) **Date of Patent:** **** Mar. 10, 2009**

(54) **INFORMATION HANDLING SYSTEM CONTROL PANEL**

(75) Inventors: **Brian Leonard**, Georgetown, TX (US);
Alonzo Fleming Seay, Austin, TX (US)

(73) Assignee: **Deil Products L.P.**, Round Rock, TX (US)

(**) Term: **14 Years**

(21) Appl. No.: **29/303,891**

(22) Filed: **Feb. 20, 2008**

(51) **LOC (9) Cl.** **14-02**

(52) **U.S. Cl.** **D14/371**

(58) **Field of Classification Search** D14/125-129,
D14/314, 331, 335-337, 371-375; 345/104,
345/156, 168, 173; 348/180, 184, 325, 739;
248/917-924; 349/1, 2, 11, 62; 341/12;
361/680-686; 312/223.3; 211/26

See application file for complete search history.

(56) **References Cited**

U.S. PATENT DOCUMENTS

D269,270 S *	6/1983	Coppola	D14/335
D404,025 S *	1/1999	Van Horne et al.	D14/331
D423,466 S *	4/2000	Kuchta et al.	D14/335
D427,597 S *	7/2000	Arfin et al.	D14/375
6,201,690 B1 *	3/2001	Moore et al.	361/683
6,233,138 B1 *	5/2001	Osgood	361/681
D478,586 S	8/2003	Lee et al.		
6,665,175 B1 *	12/2003	deBoer et al.	361/681
D494,169 S	8/2004	Lin		
D497,162 S	10/2004	Neal et al.		

6,827,409 B2 *	12/2004	Michael	312/223.3
D504,895 S	5/2005	Frank et al.		
6,945,412 B2 *	9/2005	Felcman et al.	211/26
6,956,735 B2 *	10/2005	Lee et al.	361/683
7,019,963 B2 *	3/2006	Lee et al.	361/683
D539,280 S *	3/2007	Andresen	D14/335
7,256,986 B2 *	8/2007	Williams et al.	361/683
D551,224 S *	9/2007	Hatling et al.	D14/331
2004/0228077 A1 *	11/2004	Hall et al.	361/681

* cited by examiner

Primary Examiner—Freda S Nunn

(74) *Attorney, Agent, or Firm*—Hamilton & Terrile LLP;
Stephen A. Terrile

(57) **CLAIM**

We claim the ornamental design for an information handling system control panel, as shown and described.

DESCRIPTION

FIG. 1 is a front perspective view of the information handling system comprising the present invention;

FIG. 2 is an enlarged front view thereof;

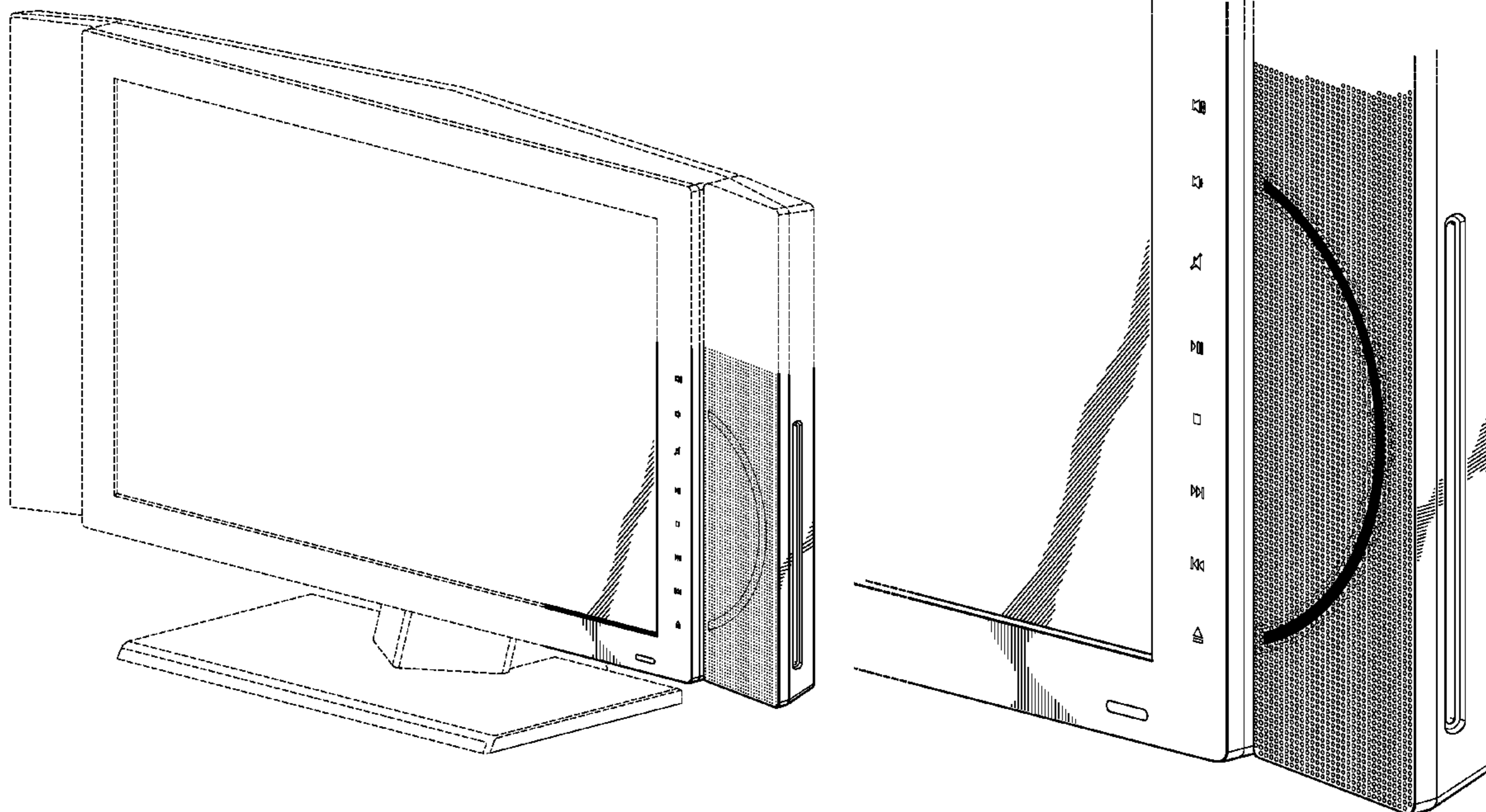
FIG. 3 is a side view thereof;

FIG. 4 is a perspective view of an information handling system control panel with no media inserted in the media slot; and,

FIG. 5 is a perspective view of an information handling system control panel with media inserted in the media slot.

Broken lines shown in the drawings illustrate portions of the information handling system control panel and form no part of the claimed design.

1 Claim, 5 Drawing Sheets



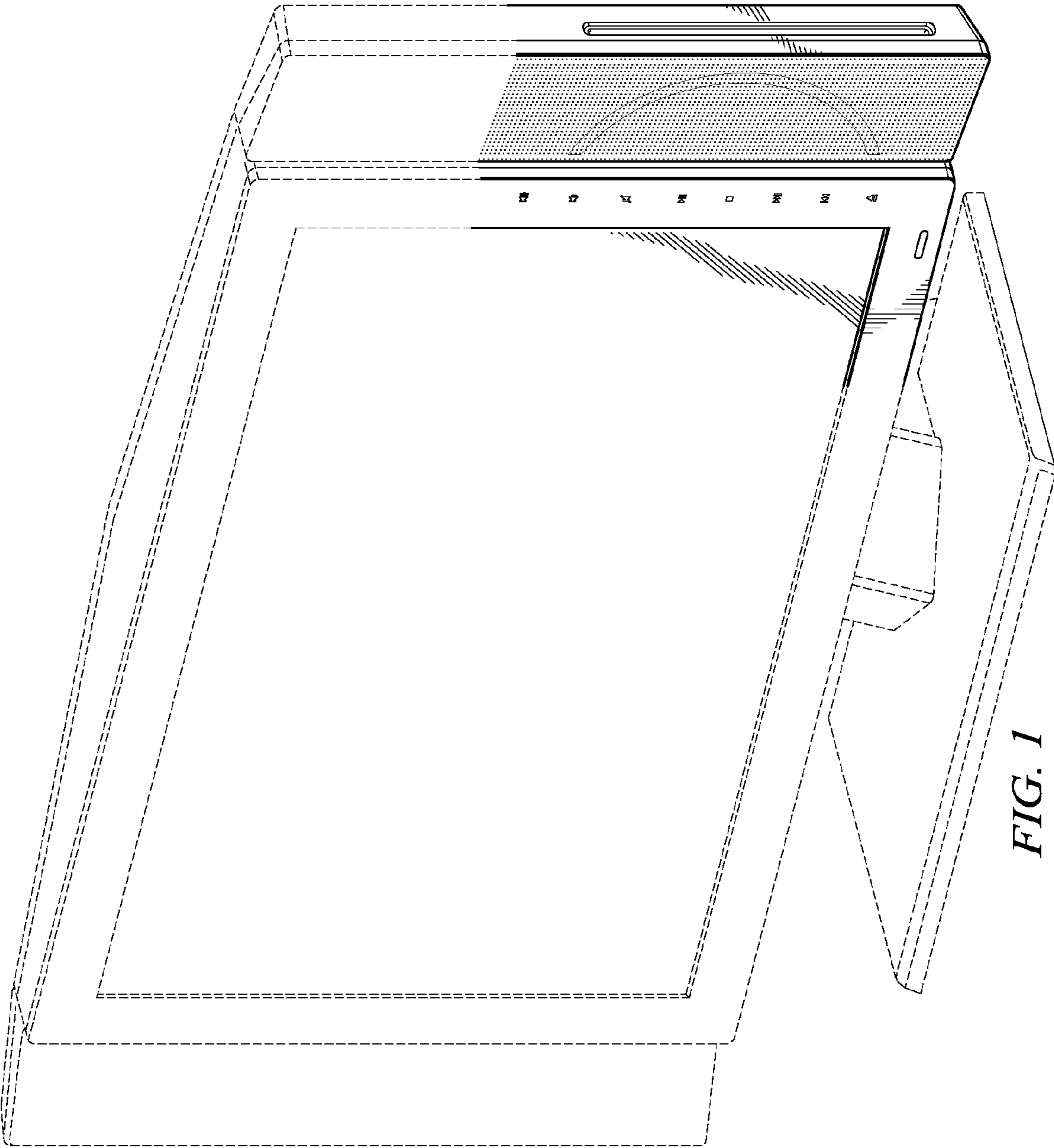


FIG. 1

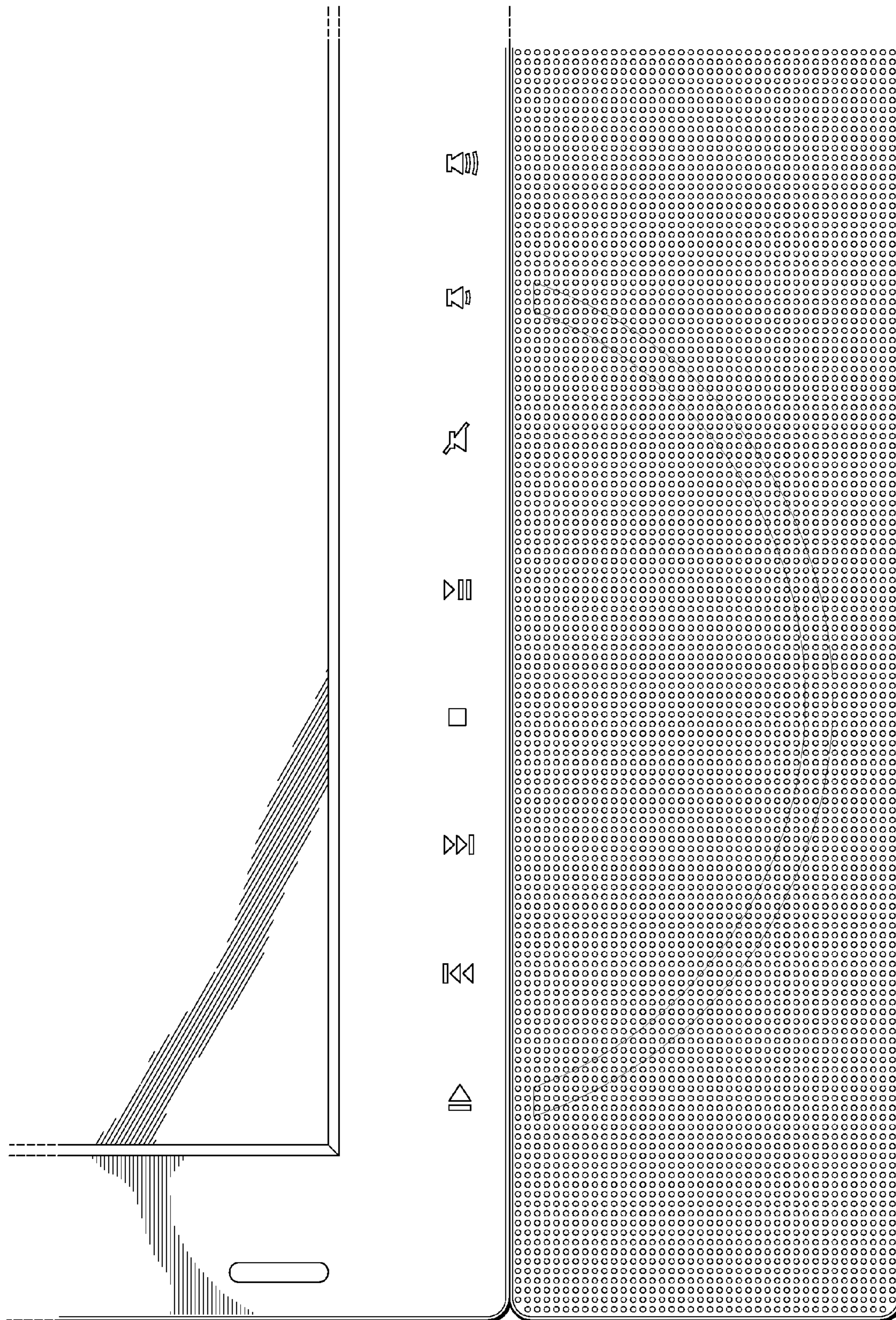


FIG. 2

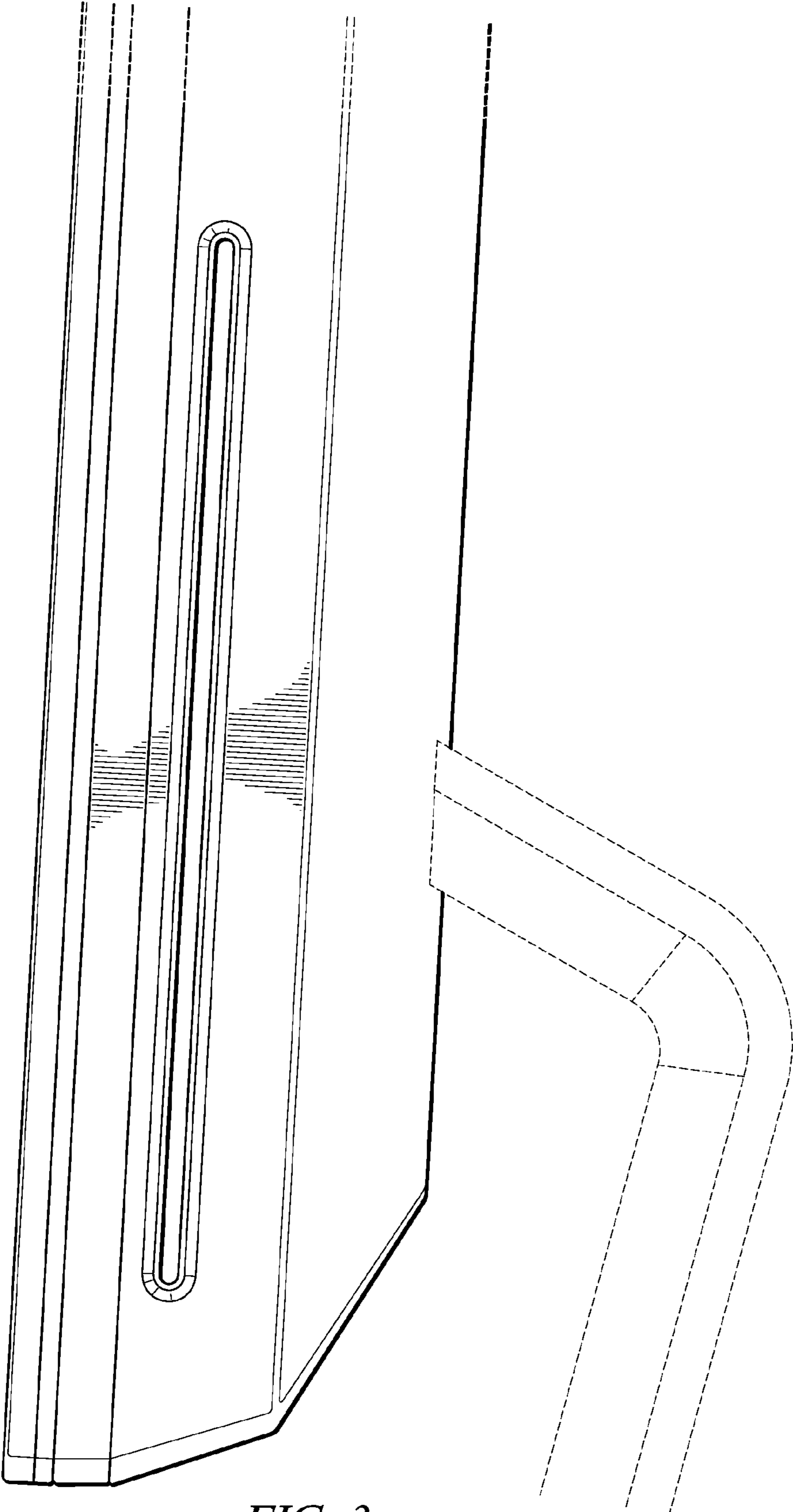
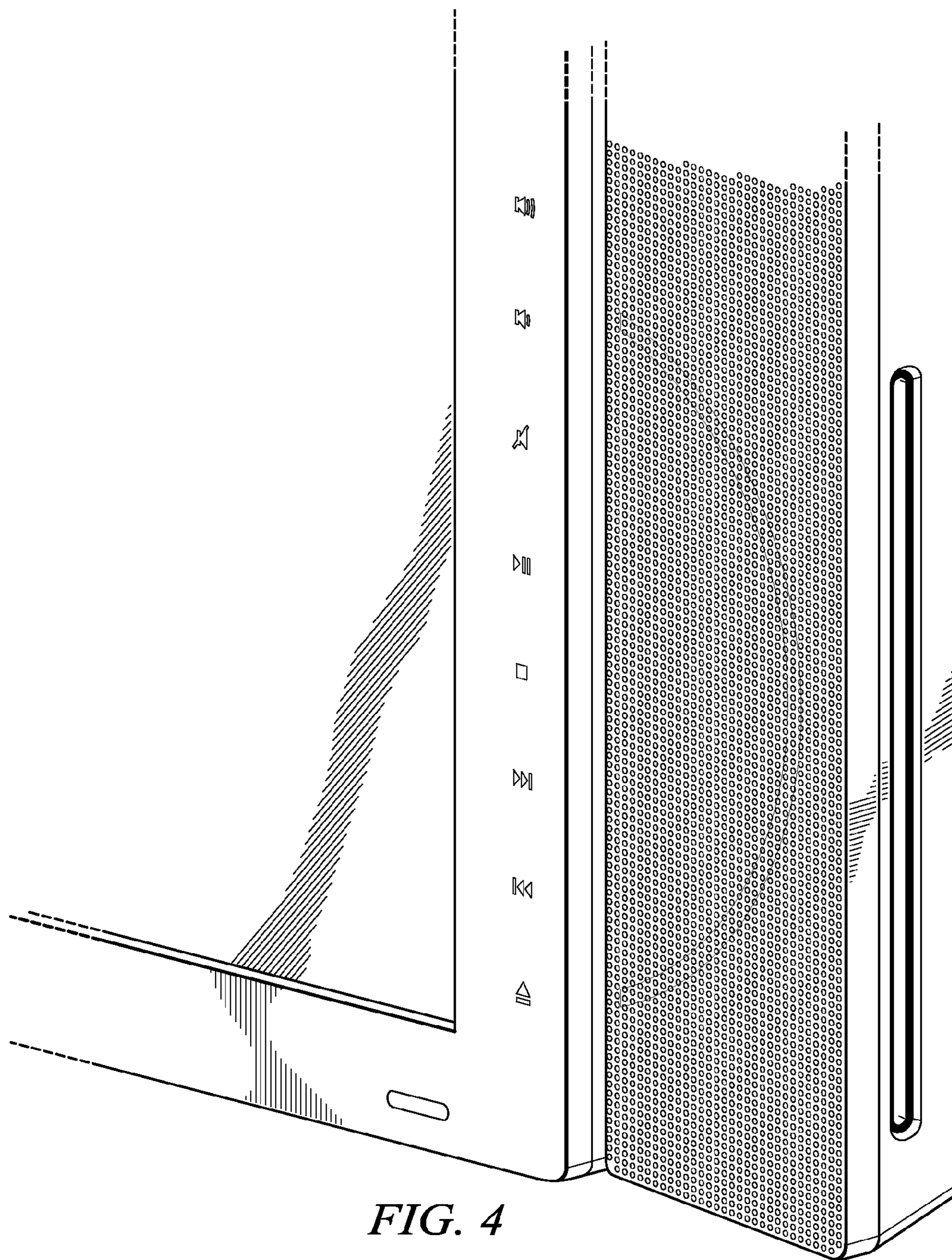


FIG. 3



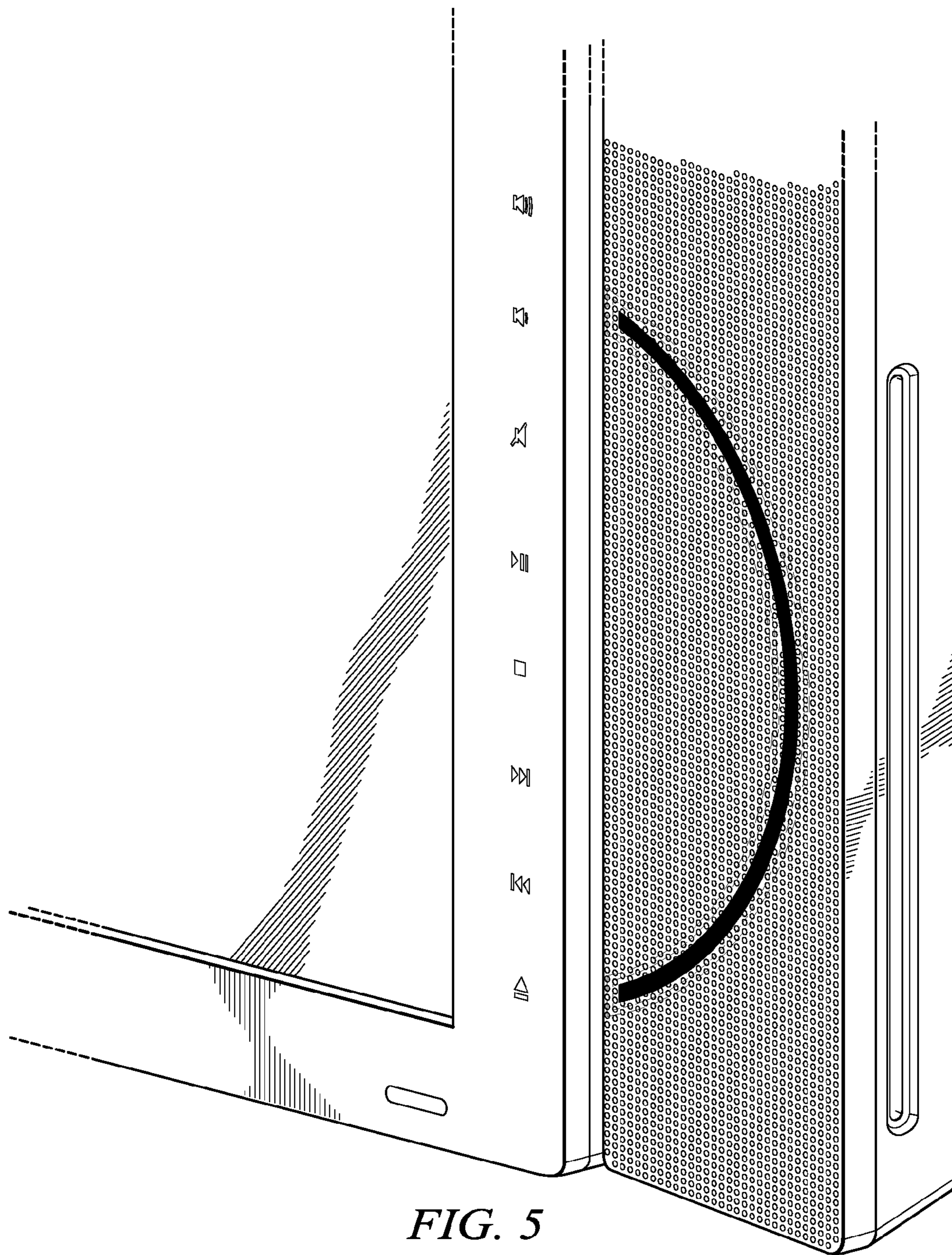


FIG. 5