



US00D588129S

(12) **United States Design Patent**
Shimizu

(10) **Patent No.:** **US D588,129 S**

(45) **Date of Patent:** **** Mar. 10, 2009**

(54) **COMPUTER**

(75) Inventor: **Yosuke Shimizu**, Tokyo (JP)

(73) Assignee: **Sony Corporation**, Tokyo (JP)

(**) Term: **14 Years**

(21) Appl. No.: **29/267,259**

(22) Filed: **Oct. 11, 2006**

(30) **Foreign Application Priority Data**

Apr. 11, 2006 (JP) D2006-009374
Apr. 11, 2006 (JP) D2006-009375

(51) **LOC (9) Cl.** **14-02**

(52) **U.S. Cl.** **D14/371**

(58) **Field of Classification Search** D14/328,
D14/331, 336-337, 343, 371-376, 125-129;
248/917-924; 341/12; 345/1.1, 104, 156,
345/157, 168, 173; 348/180, 184, 352, 739;
349/1, 2, 11, 62; 361/680-686

See application file for complete search history.

(56) **References Cited**

U.S. PATENT DOCUMENTS

D294,578 S *	3/1988	Yubisui	D14/328
D298,537 S *	11/1988	Walters et al.	D14/328
D319,222 S *	8/1991	Mizusugi et al.	D14/331
5,260,884 A *	11/1993	Stern	361/680
D373,347 S *	9/1996	Ashley et al.	D14/343
D378,083 S *	2/1997	Ando	D14/336
D380,213 S	6/1997	Morimiya		
D441,732 S	5/2001	Ota		
D454,845 S	3/2002	Niitsu		
D471,191 S *	3/2003	Yu et al.	D14/331
D479,230 S *	9/2003	Hirose et al.	D14/337
D488,451 S	4/2004	Niitsu		
D500,034 S *	12/2004	Johnson	D14/336
D508,914 S *	8/2005	Ishii	D14/337

* cited by examiner

Primary Examiner—Freda S Nunn

(74) *Attorney, Agent, or Firm*—Rader, Fishman & Grauer, PLLC

(57) **CLAIM**

The ornamental design for a computer, as shown and described.

DESCRIPTION

FIG. 1 is a perspective view of an embodiment of a computer showing my new design;

FIG. 2 is a front elevational view thereof;

FIG. 3 is a rear elevational view thereof;

FIG. 4 is a left side elevational view thereof;

FIG. 5 is a right side elevational view thereof;

FIG. 6 is a top plan view thereof;

FIG. 7 is a bottom plan view thereof;

FIG. 8 is a left side elevational view thereof, wherein a supporting portion is in the open position;

FIG. 9 is a perspective view of another embodiment of a computer showing my new design;

FIG. 10 is a front elevational view thereof;

FIG. 11 is a rear elevational view thereof;

FIG. 12 is a left side elevational view thereof;

FIG. 13 is a right side elevational view thereof;

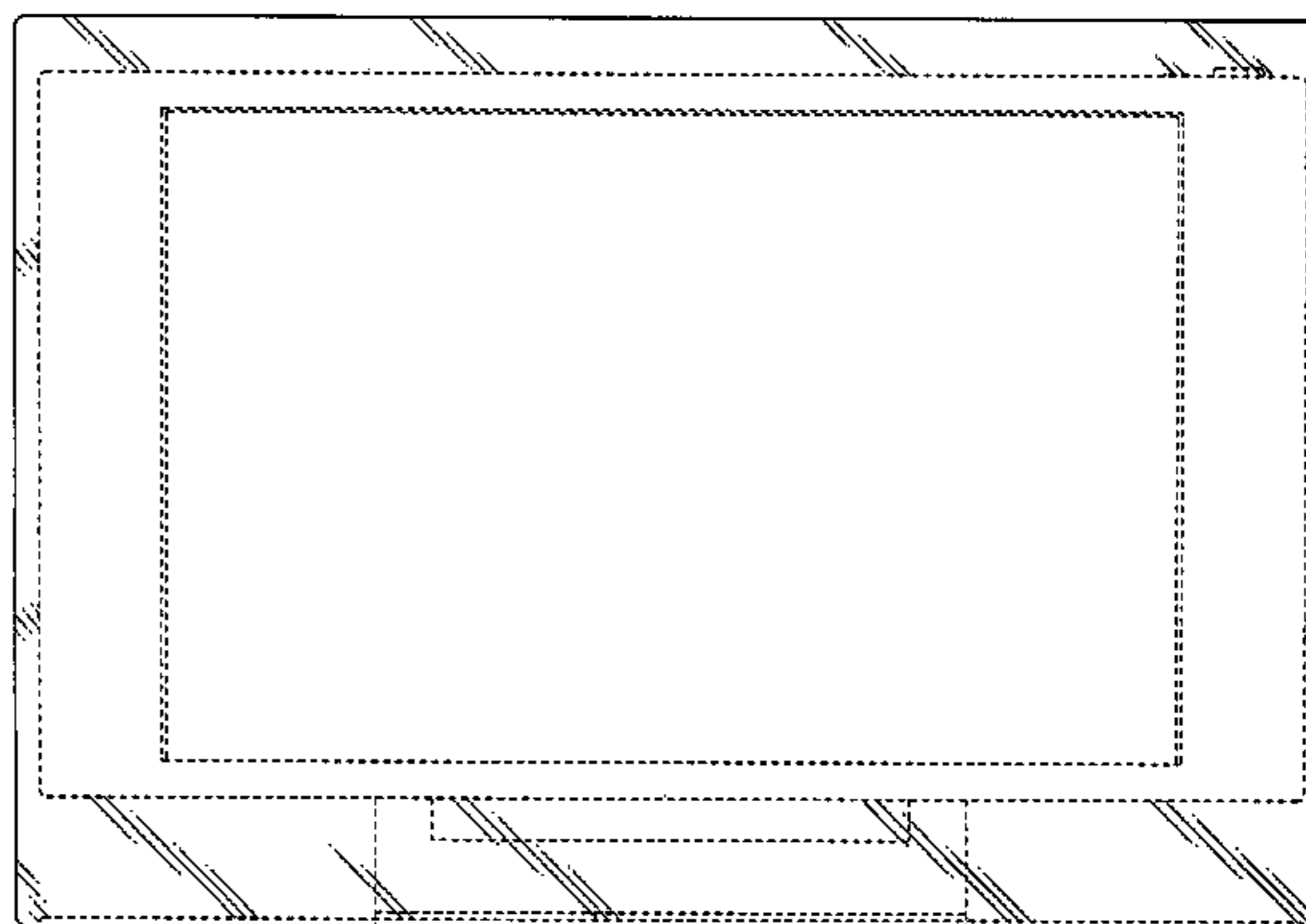
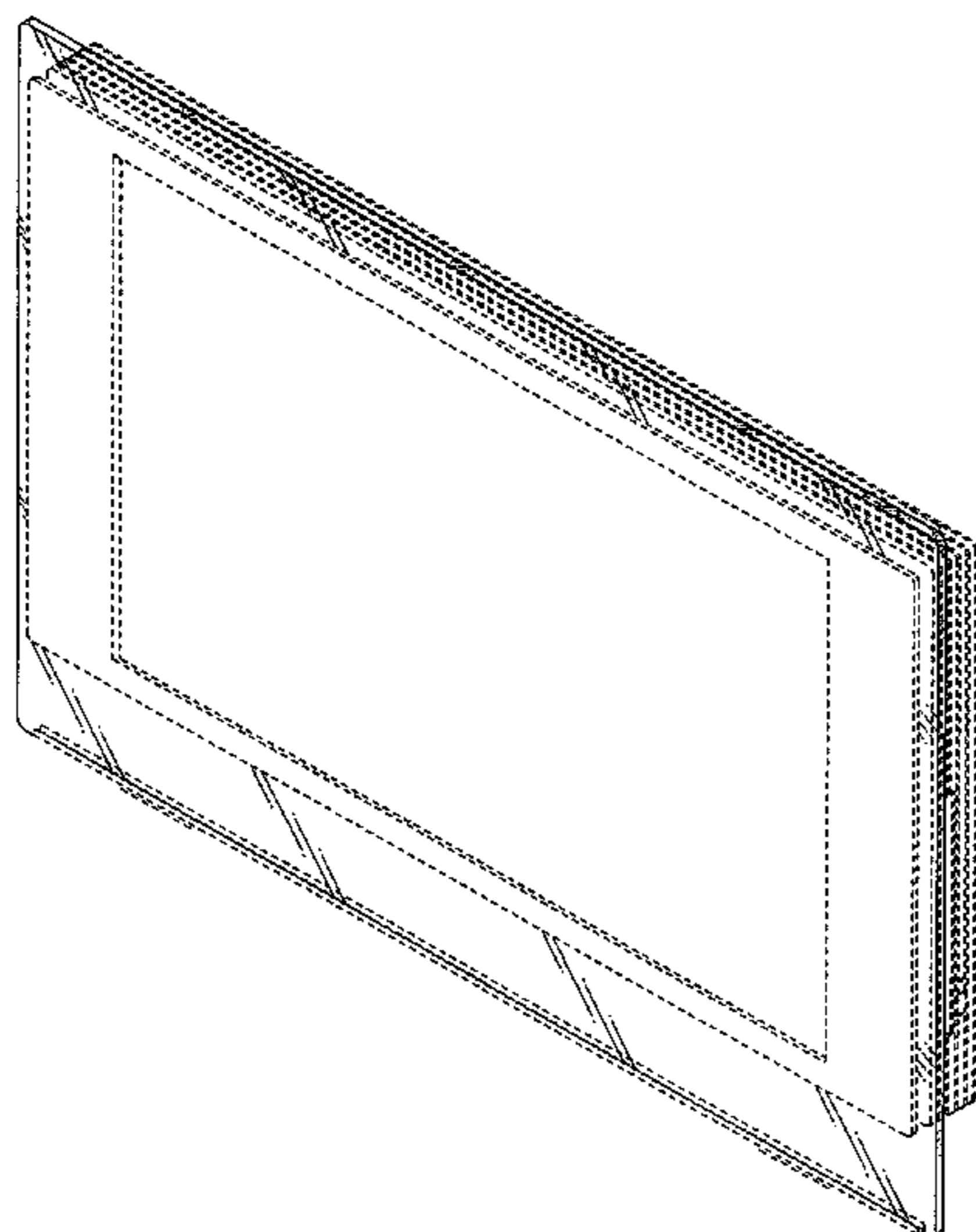
FIG. 14 is a top plan view thereof; and,

FIG. 15 is a bottom plan view thereof.

Portions of FIGS. 1-15 that are shown as broken lines are for illustrative purpose only and form no part of the claimed design.

The elements illustrated in broken lines in the drawing figures are considered environmental only and do not form a part of the claimed design.

1 Claim, 15 Drawing Sheets



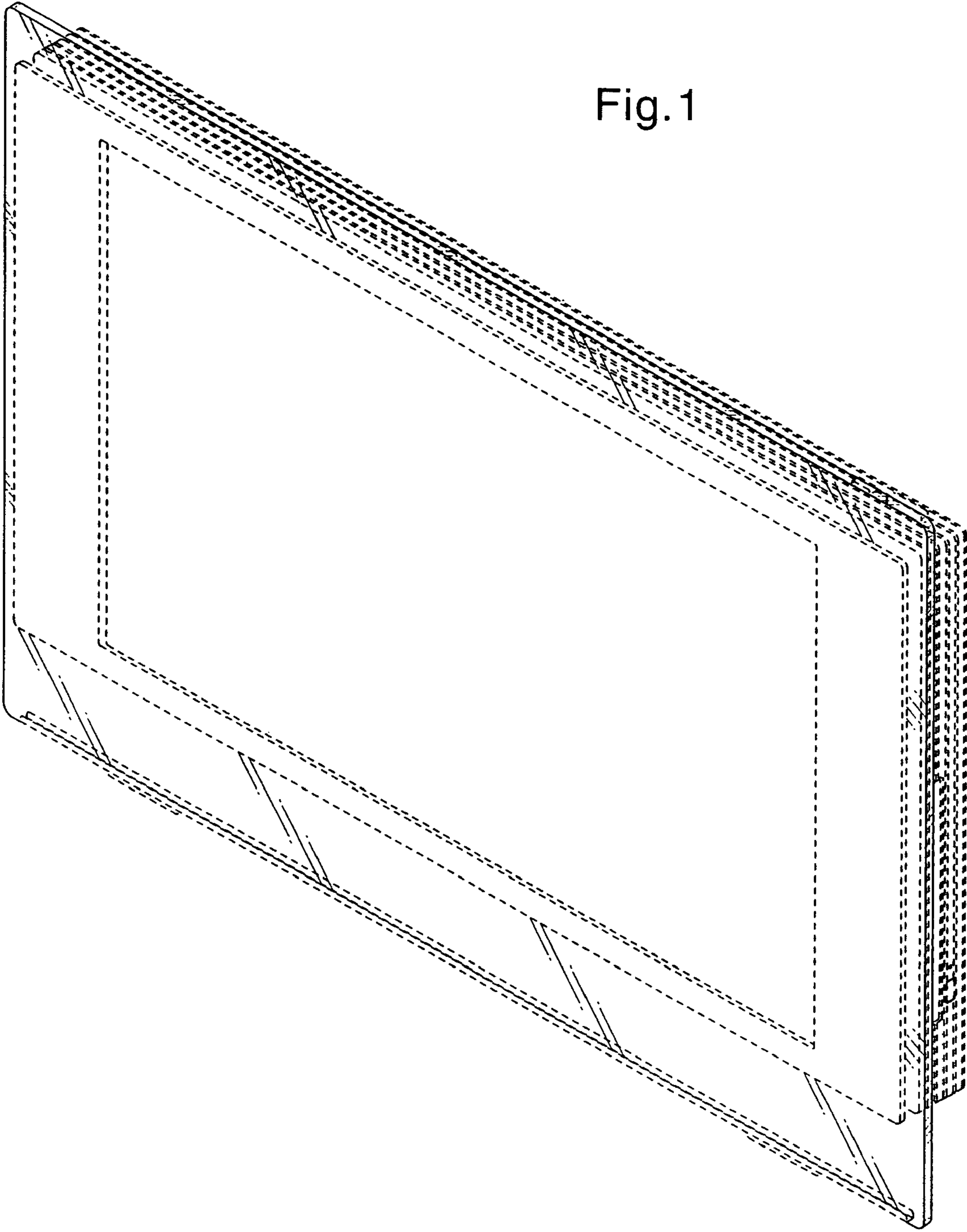


Fig. 1

Fig.2

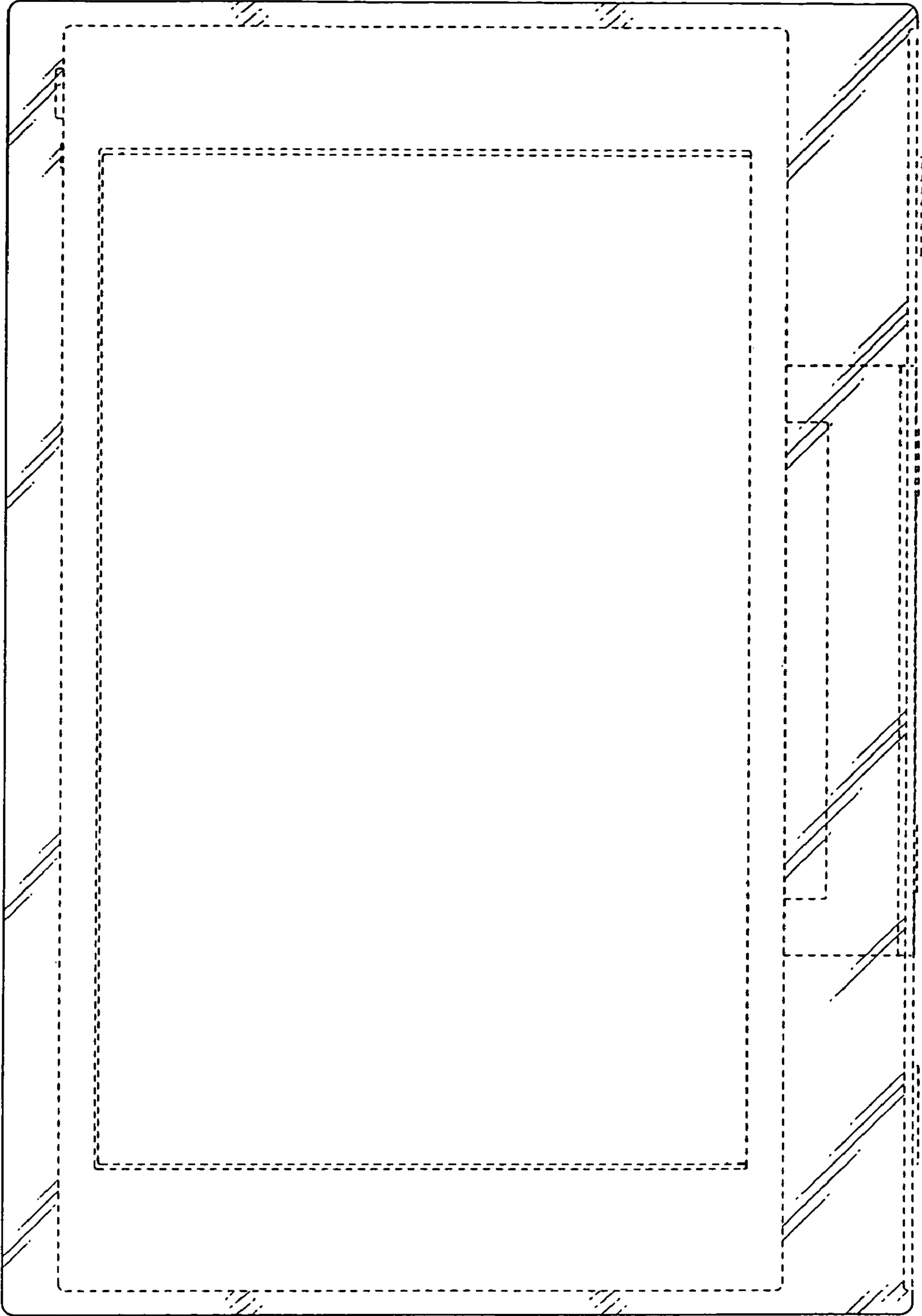


Fig.3

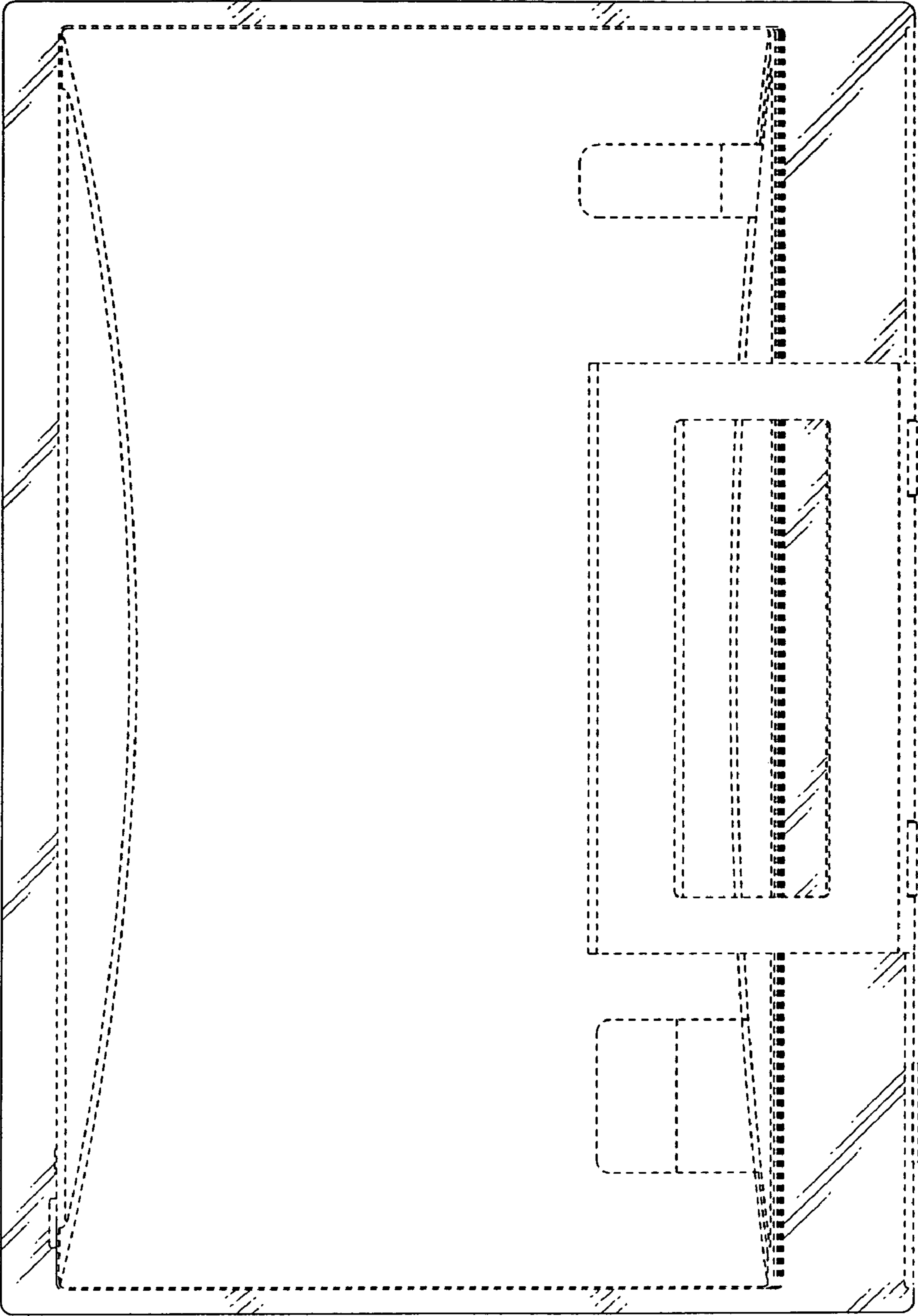


Fig.4

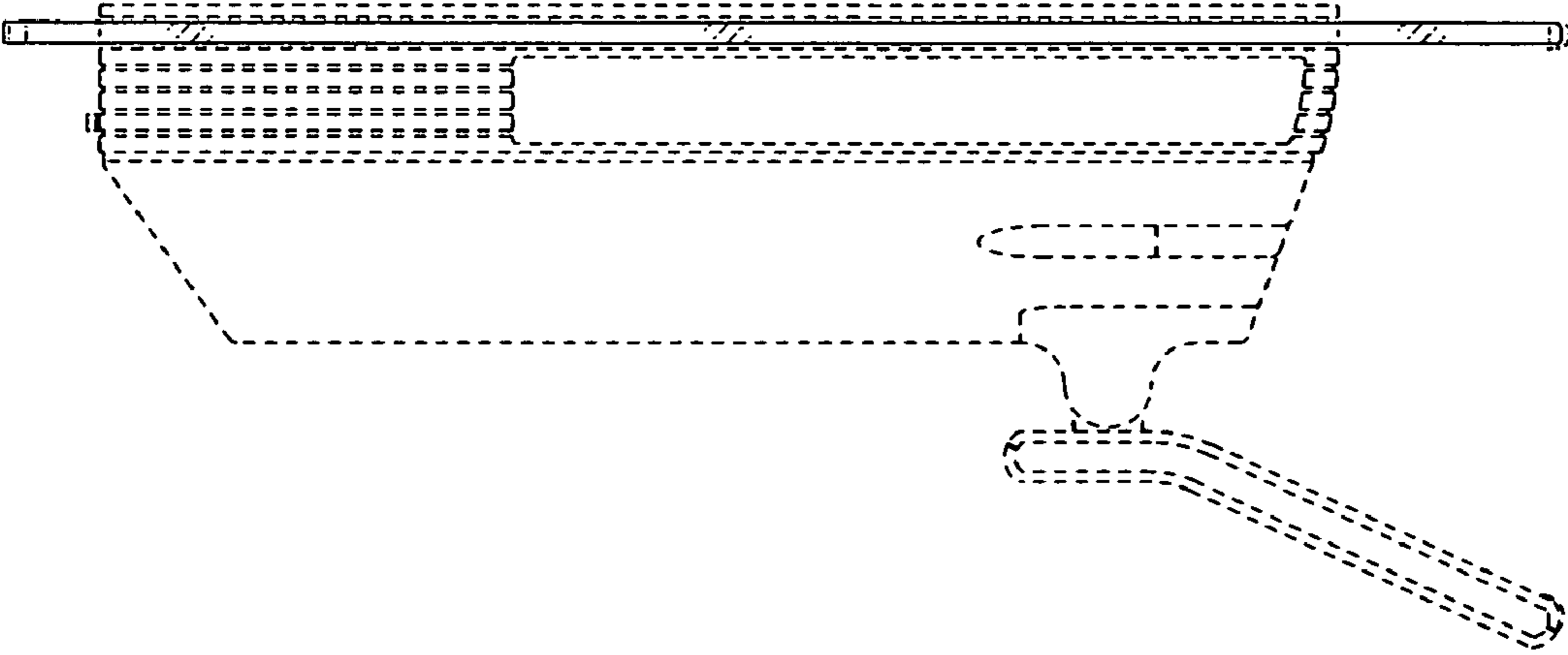


Fig.5

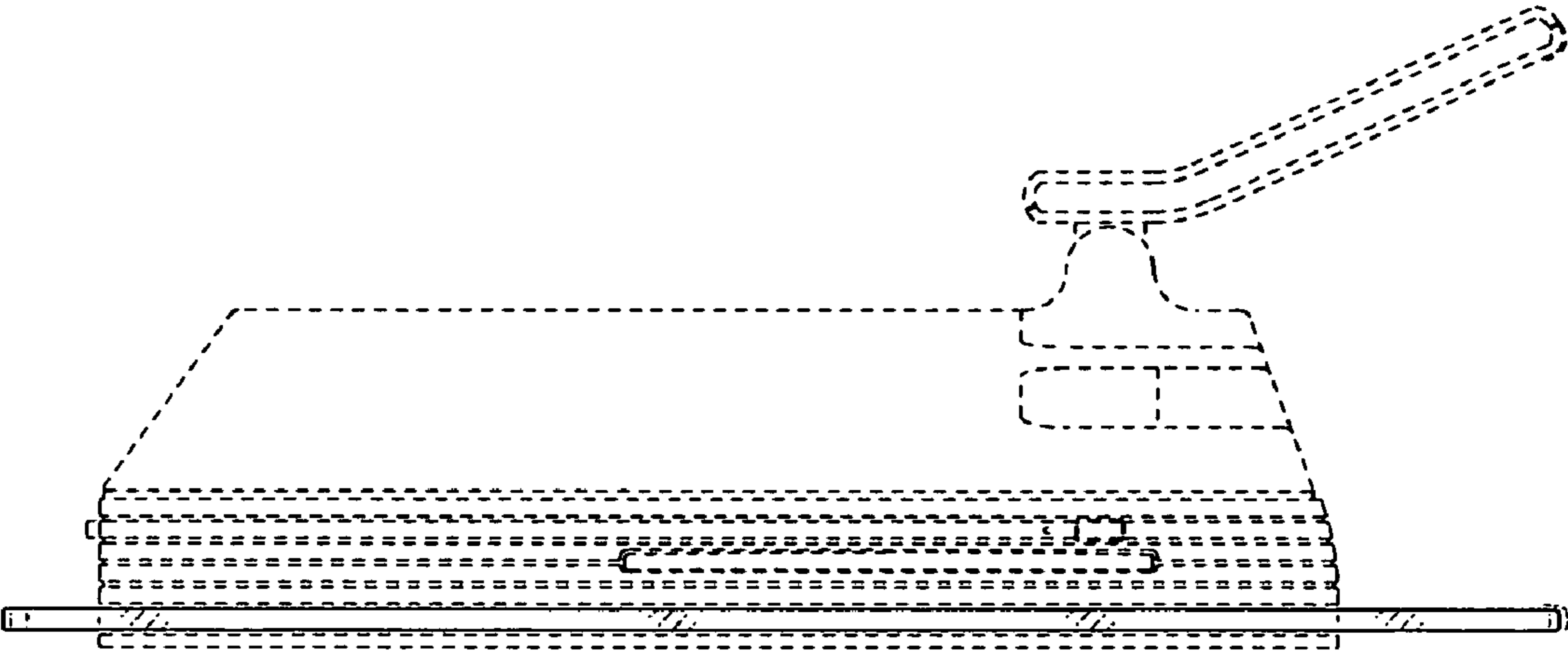


Fig. 6

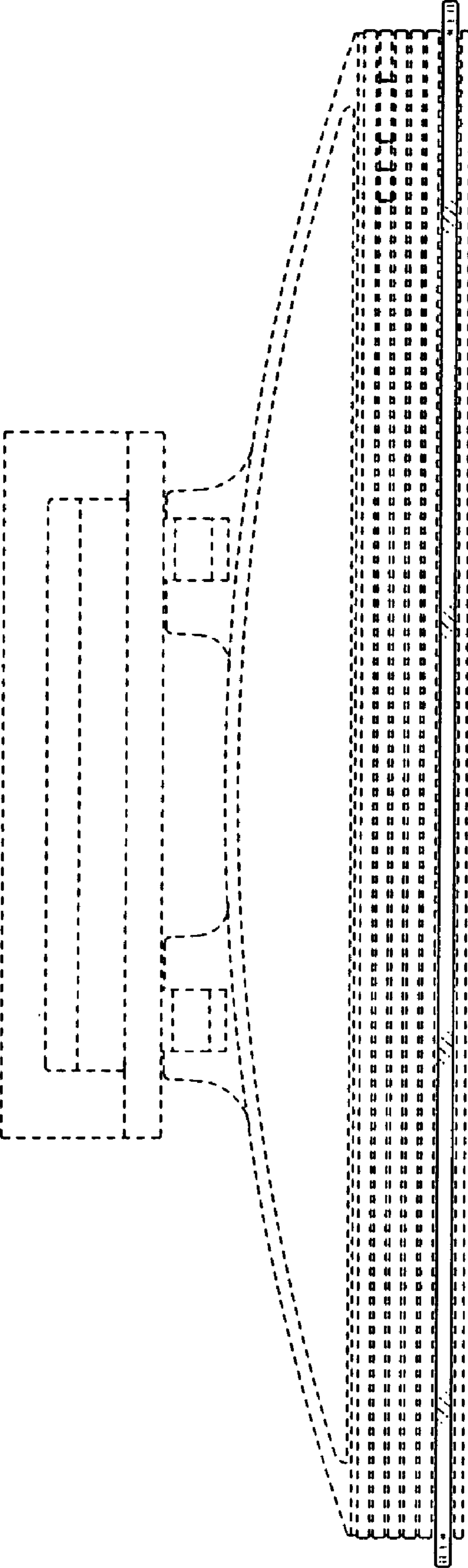


Fig. 7

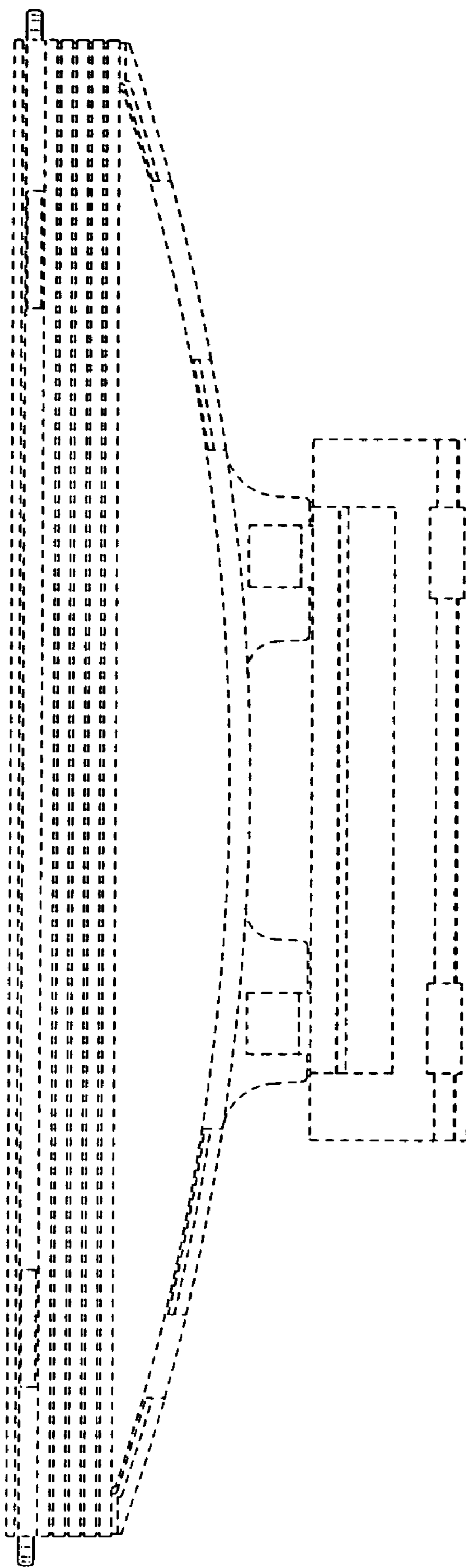


Fig. 8

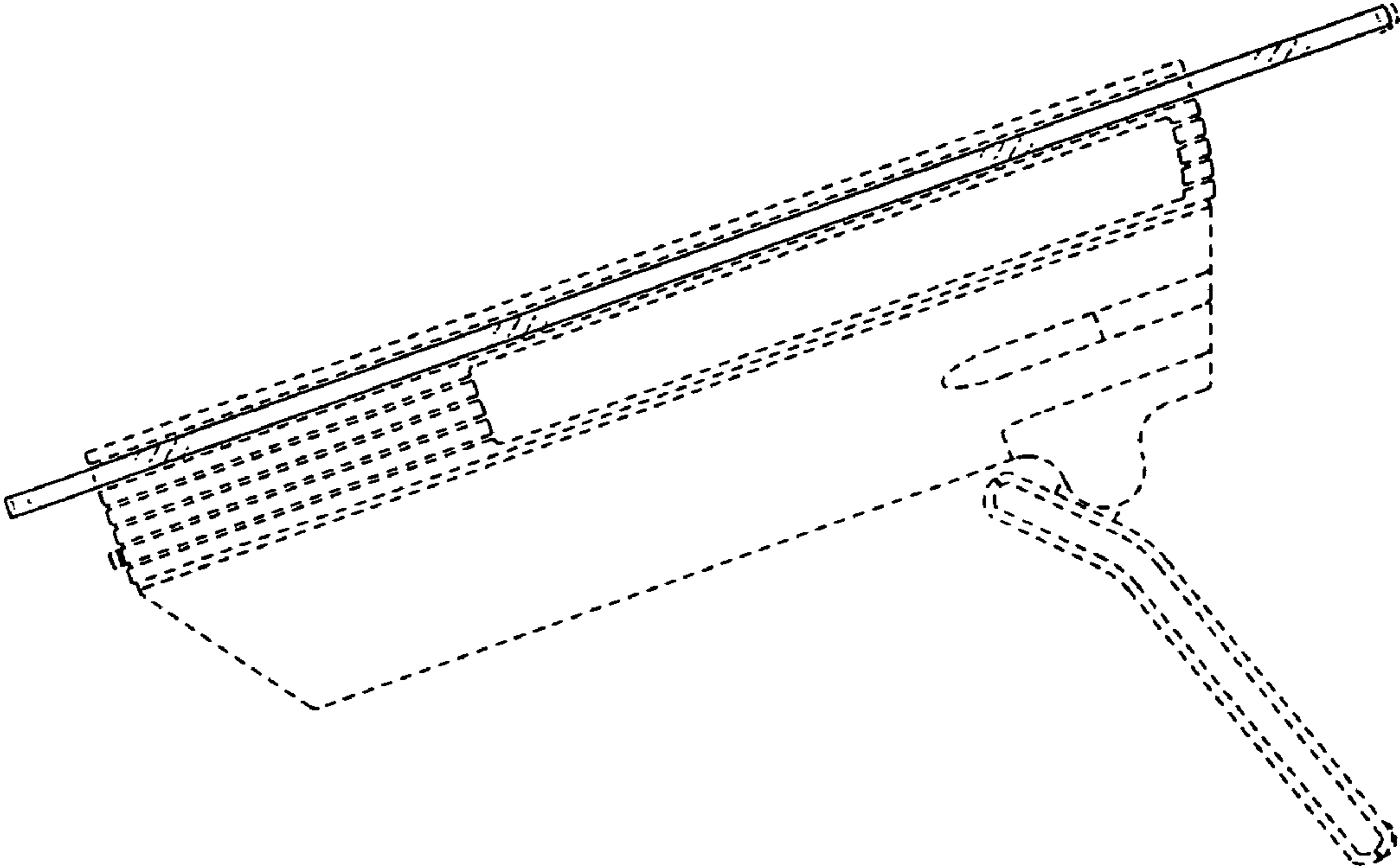


Fig.9

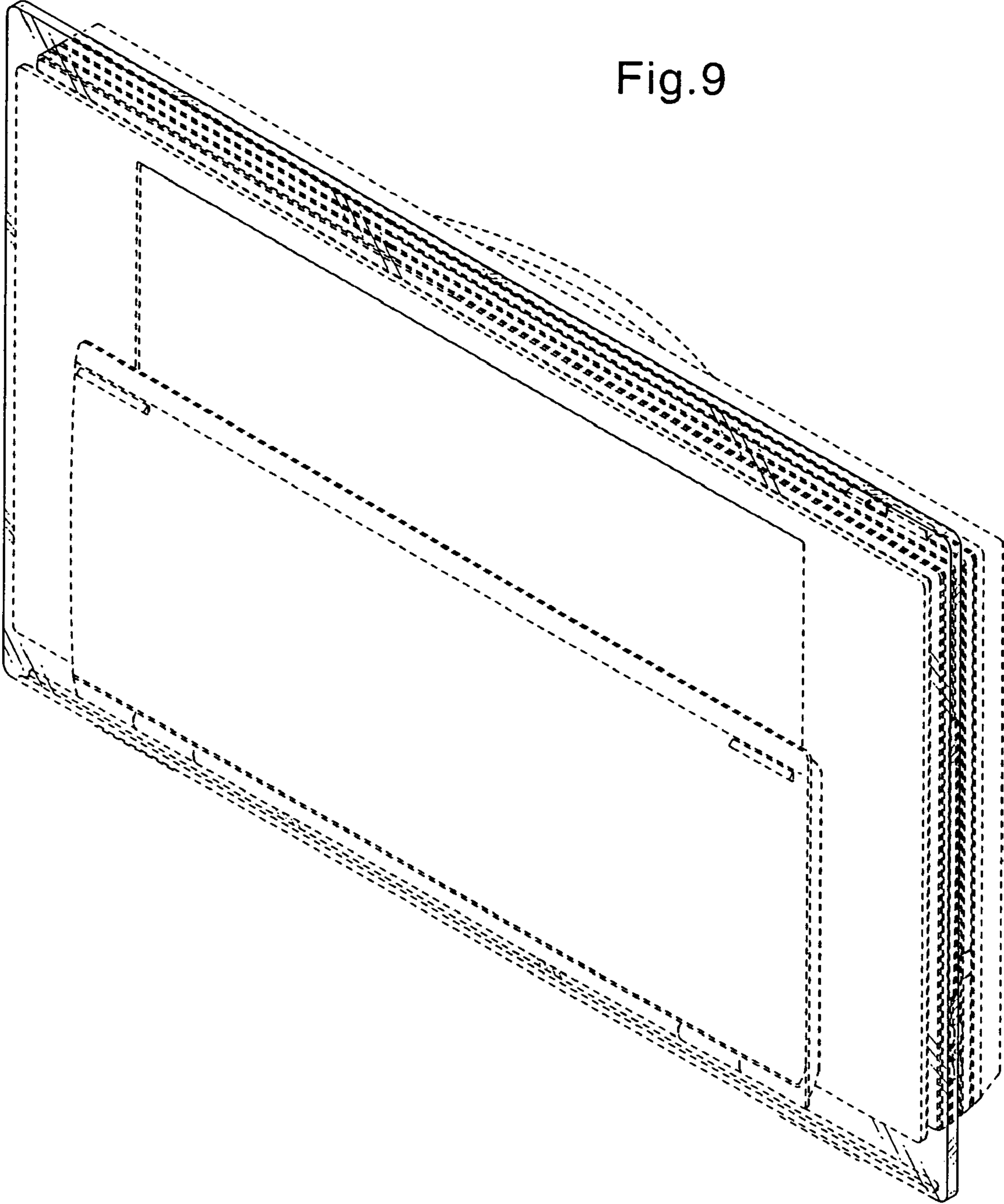


Fig.10

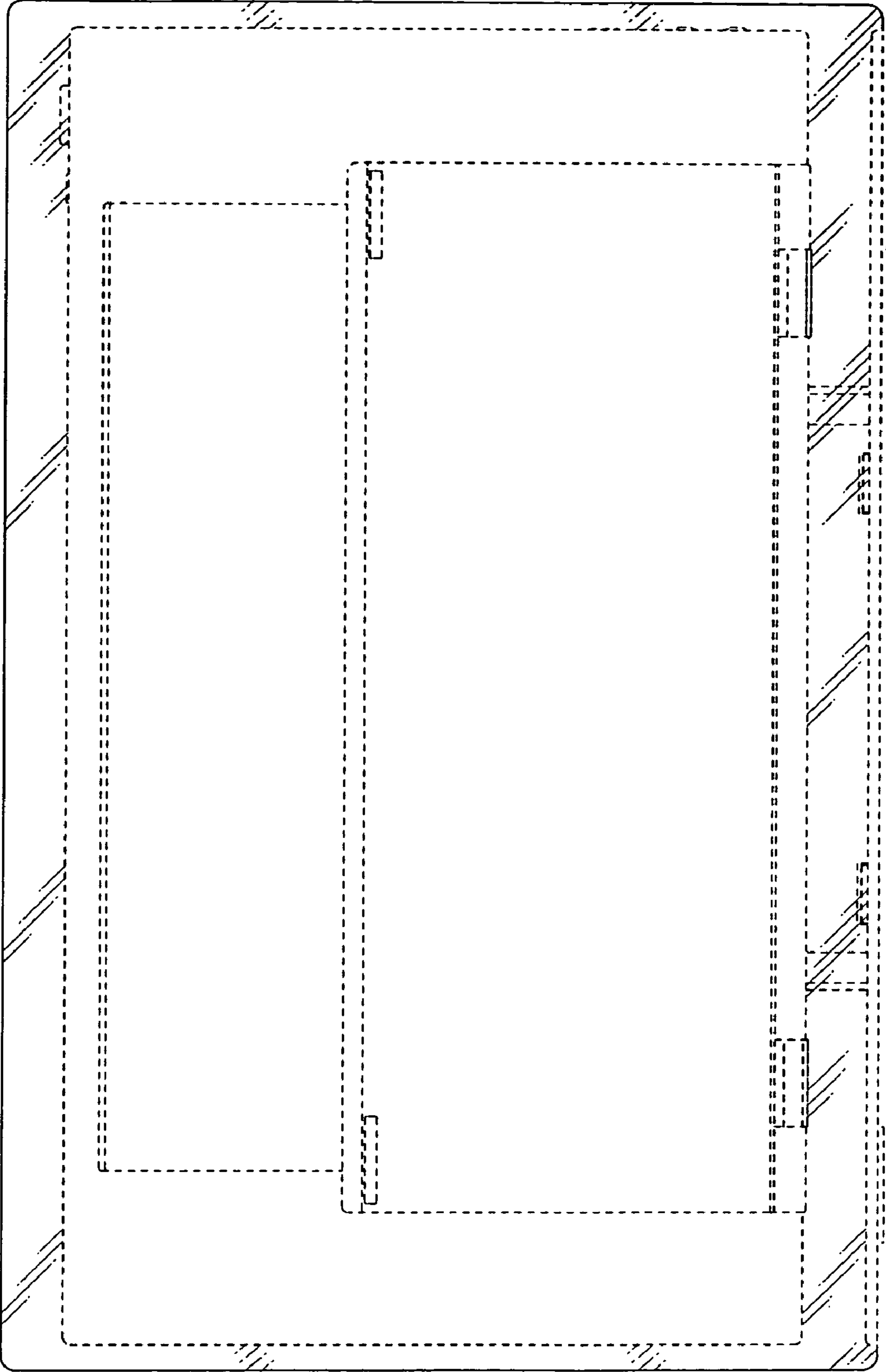


Fig. 11

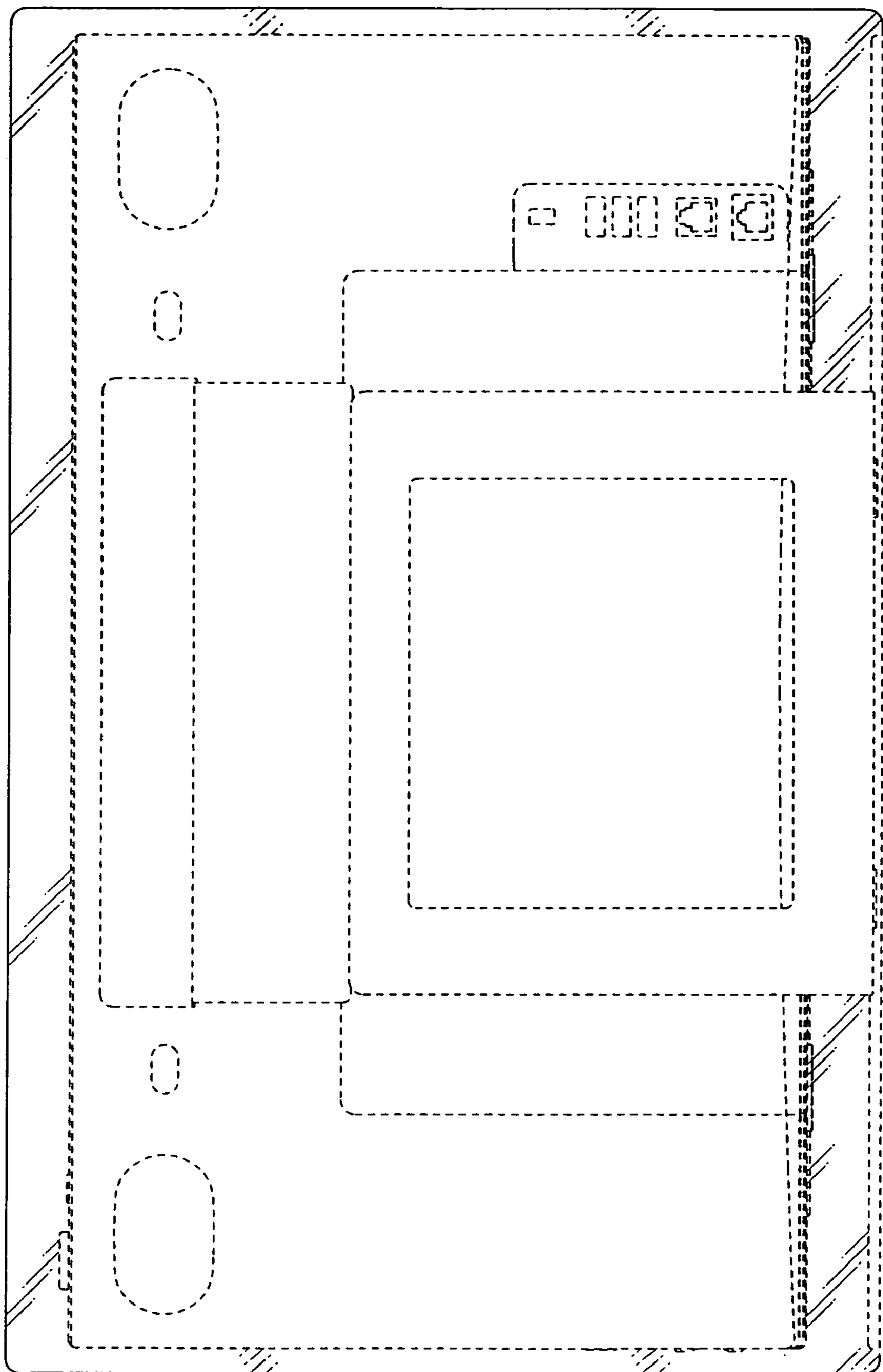


Fig. 12

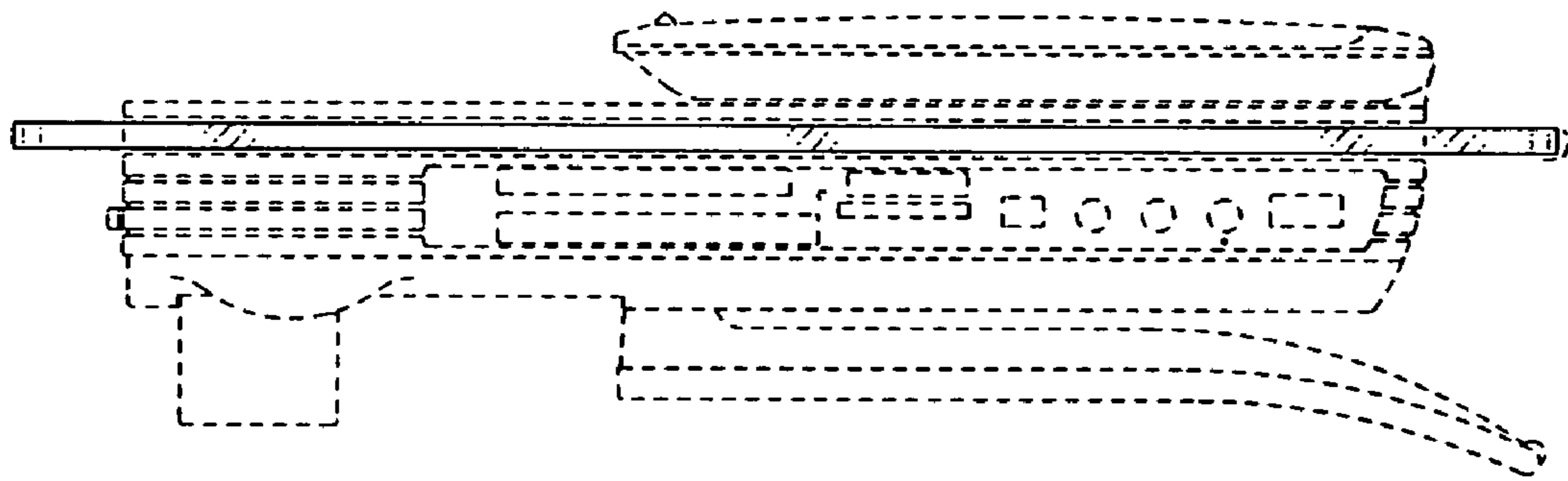


Fig. 13

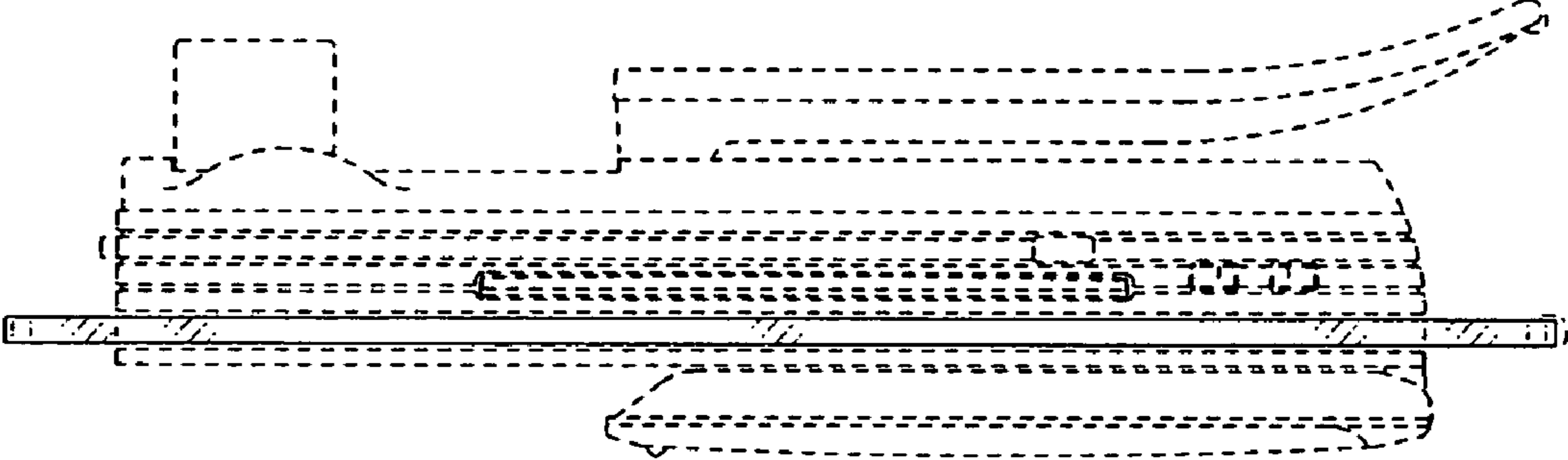


Fig. 14

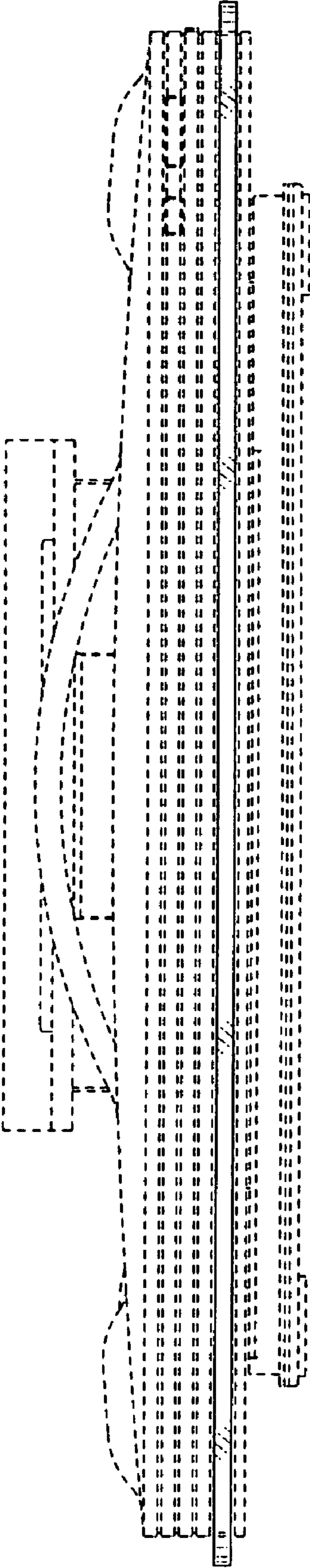


Fig. 15

