



US00D588128S

(12) **United States Design Patent**
Whitmore et al.

(10) **Patent No.:** **US D588,128 S**
(45) **Date of Patent:** **** Mar. 10, 2009**

(54) **PARALLEL ELECTRO-OPTICAL
TRANSCIEVER**

D583,367 S * 12/2008 Chen D14/358

(75) Inventors: **Barry Whitmore**, Albuquerque, NM
(US); **Howard Milburn**, Albuquerque,
NM (US)

(73) Assignee: **Emcore Corporation**, Albuquerque, NM
(US)

(**) Term: **14 Years**

(21) Appl. No.: **29/286,011**

(22) Filed: **Apr. 18, 2007**

(51) **LOC (9) Cl.** **14-02**

(52) **U.S. Cl.** **D14/358**

(58) **Field of Classification Search** D13/149,
D13/184; D14/240, 242, 302, 314, 348-355,
D14/357-358, 363; 360/79.01, 97.03, 133;
361/658, 725, 752; 369/75.11, 272.1, 273;
379/25, 93.09, 156, 220.14, 338-339, 441,
379/900

See application file for complete search history.

(56) **References Cited**

U.S. PATENT DOCUMENTS

D441,744 S * 5/2001 Miyazaki D14/358
D520,503 S * 5/2006 Shimizu D14/358
D566,710 S * 4/2008 Chun et al. D14/358
D580,423 S * 11/2008 Ju D14/358

OTHER PUBLICATIONS

Emcore Corp. Product Brief for OptoCube 40S Transmitter &
Receiver, Dec. 2004, 2 pgs., Copyright 2004, Emcore Corporation,
Albuquerque, NM.

Emcore Corp. Product Brief for OptoCube 40 Transmitter &
Receiver, Dec. 2004, 2 pgs., Copyright 2004, Emcore Corporation,
Albuquerque, NM.

* cited by examiner

Primary Examiner—Brian N Vinson

(57) **CLAIM**

The ornamental design for a parallel electro-optical trans-
ciever, as shown and described.

DESCRIPTION

FIG. 1 is a top, front and left side perspective view of a parallel
electro-optical transciever, showing my design;

FIG. 2 is a front elevational view thereof;

FIG. 3 is a left side elevational view thereof;

FIG. 4 is a rear elevational view thereof;

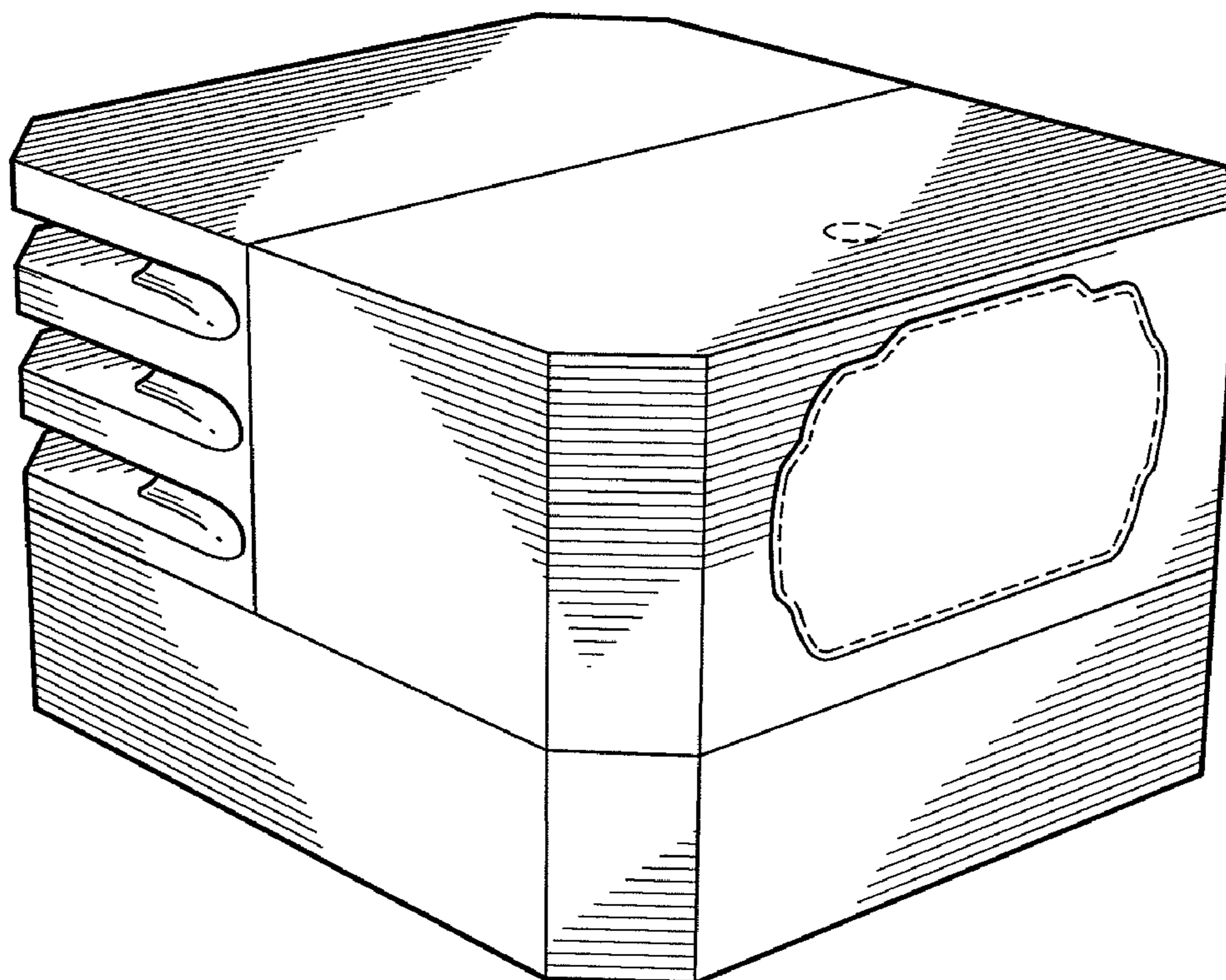
FIG. 5 is a right side elevational view thereof;

FIG. 6 is a top plan view thereof; and,

FIG. 7 is a bottom plan view thereof.

The phantom line showing of environment is for illustrative
purposes only.

1 Claim, 7 Drawing Sheets



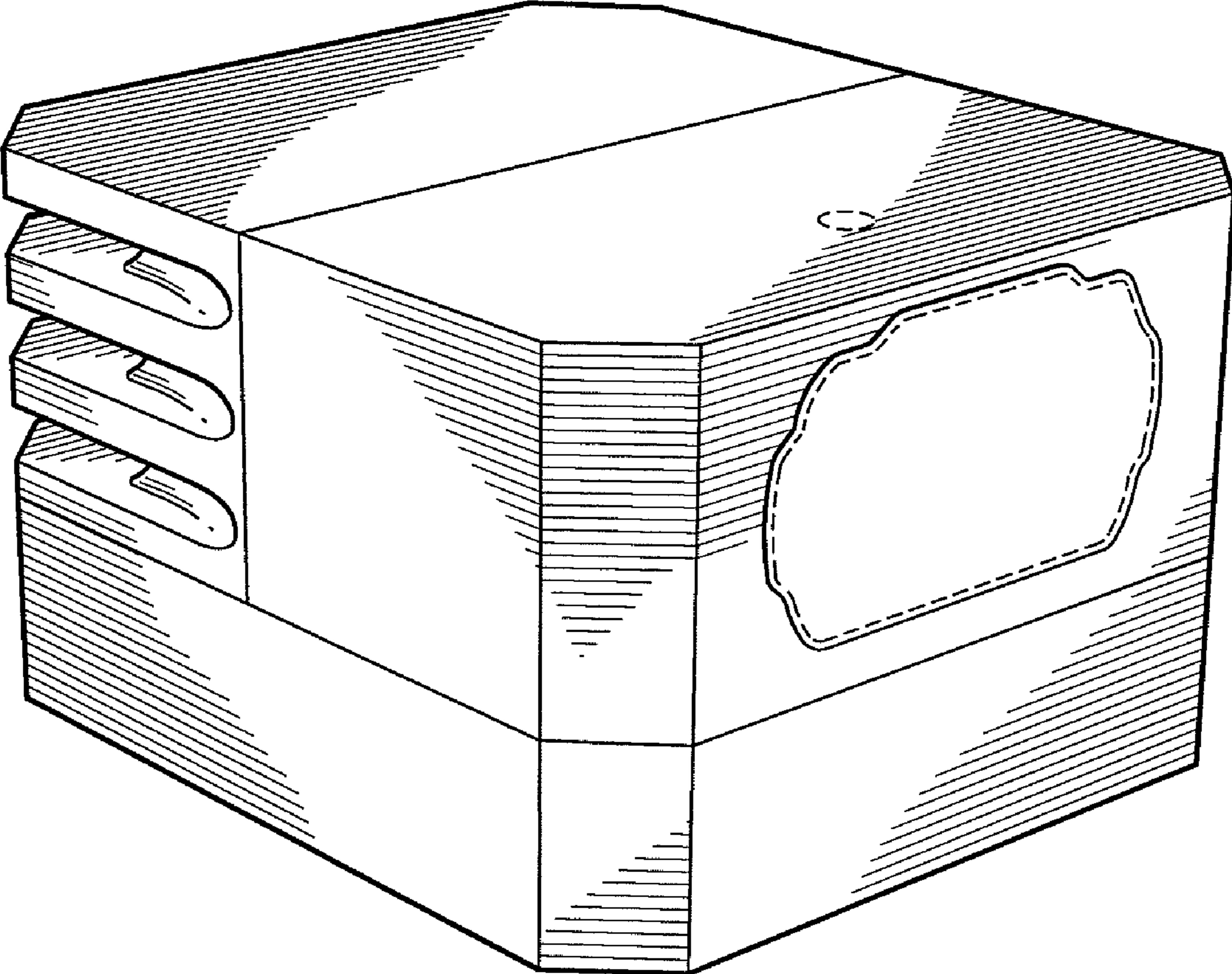


FIG. 1

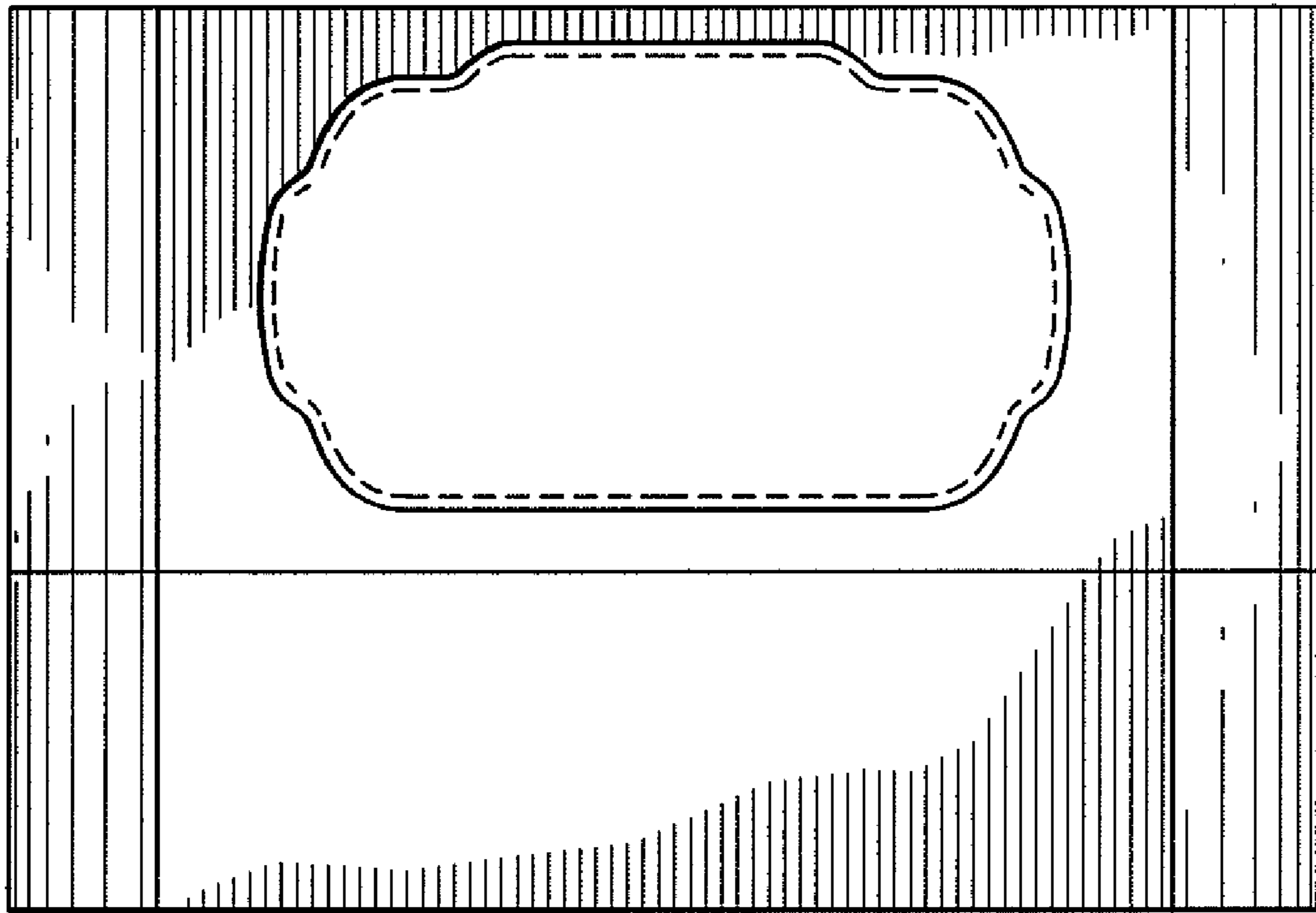


FIG. 2

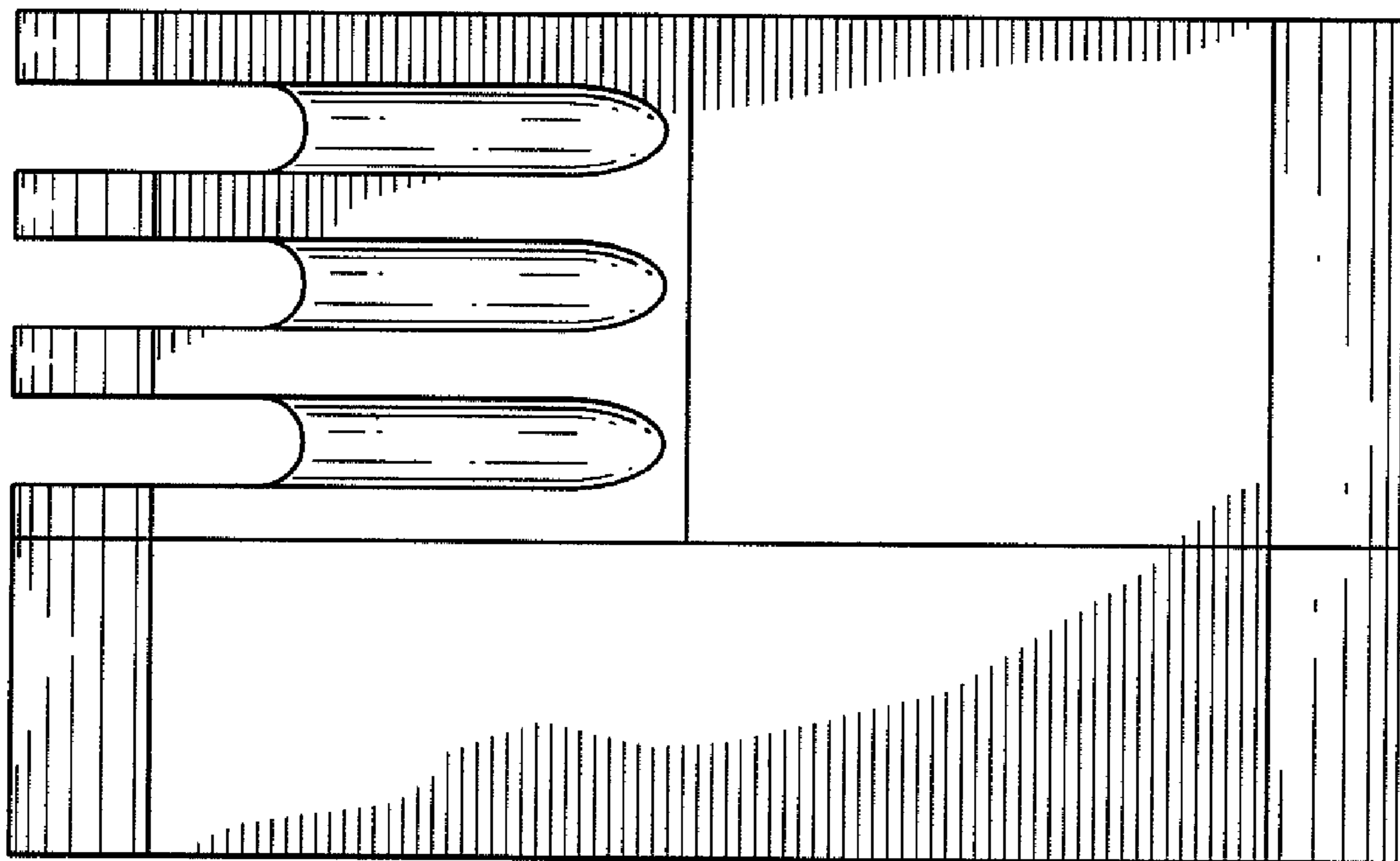


FIG. 3

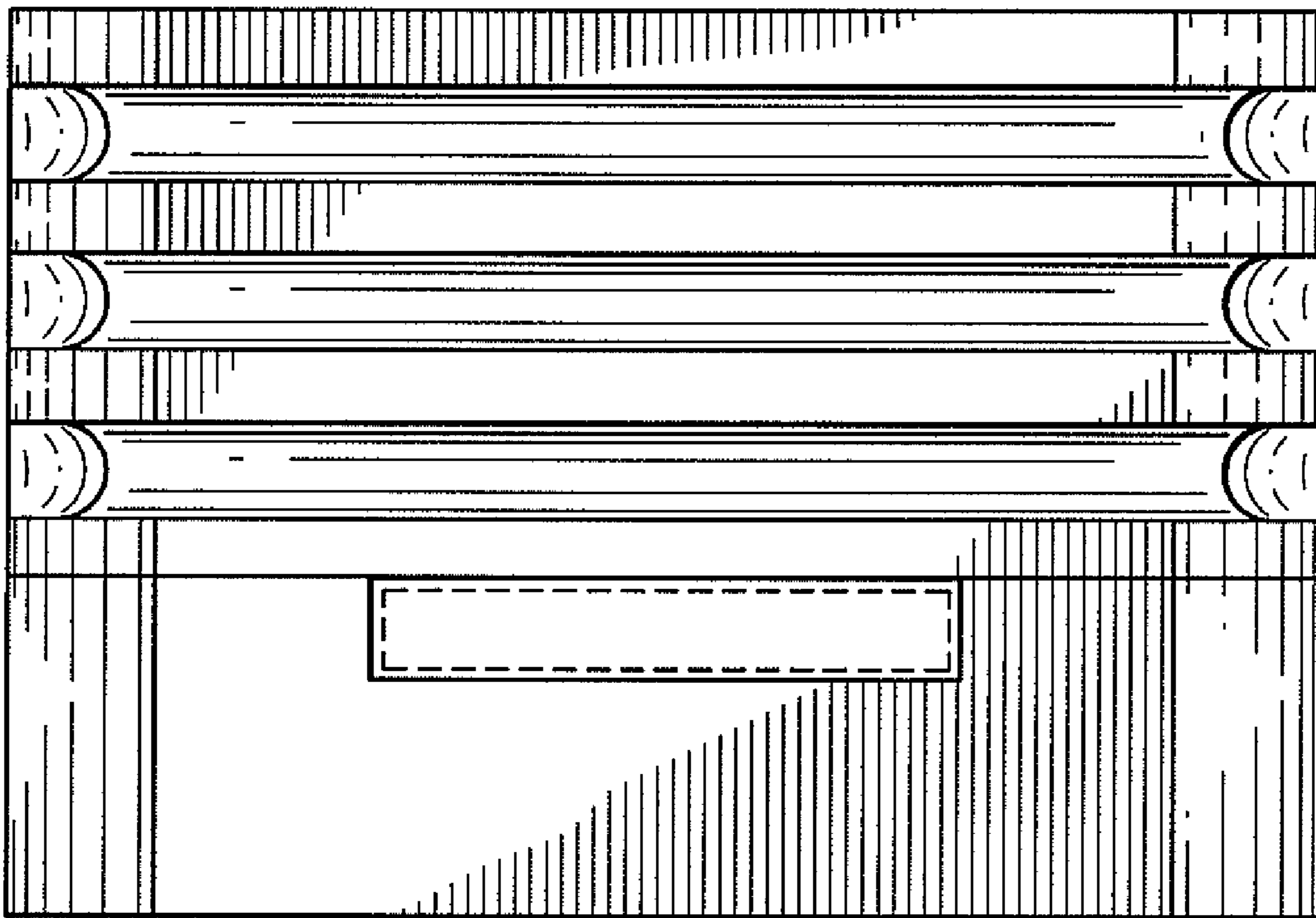


FIG. 4

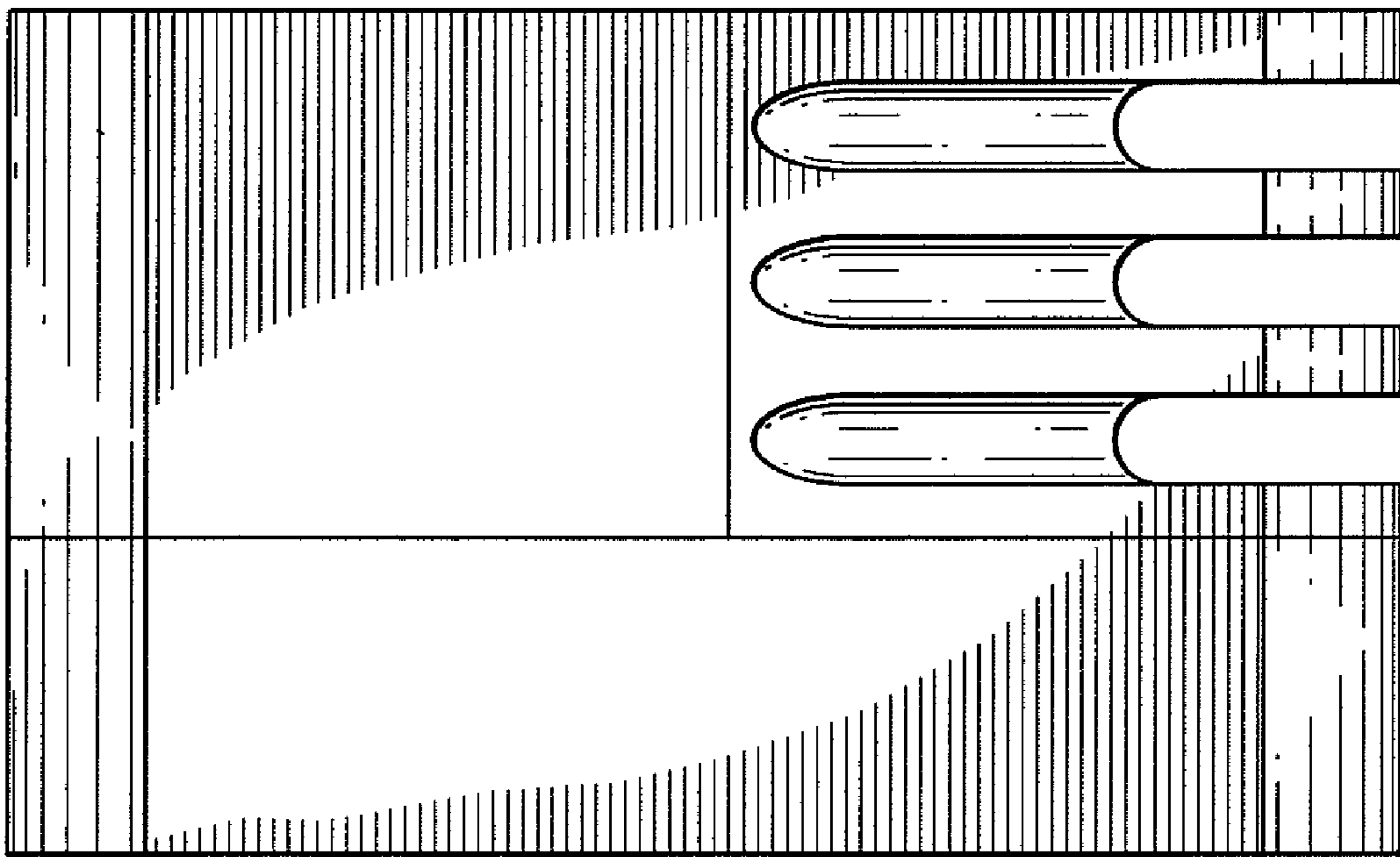


FIG. 5

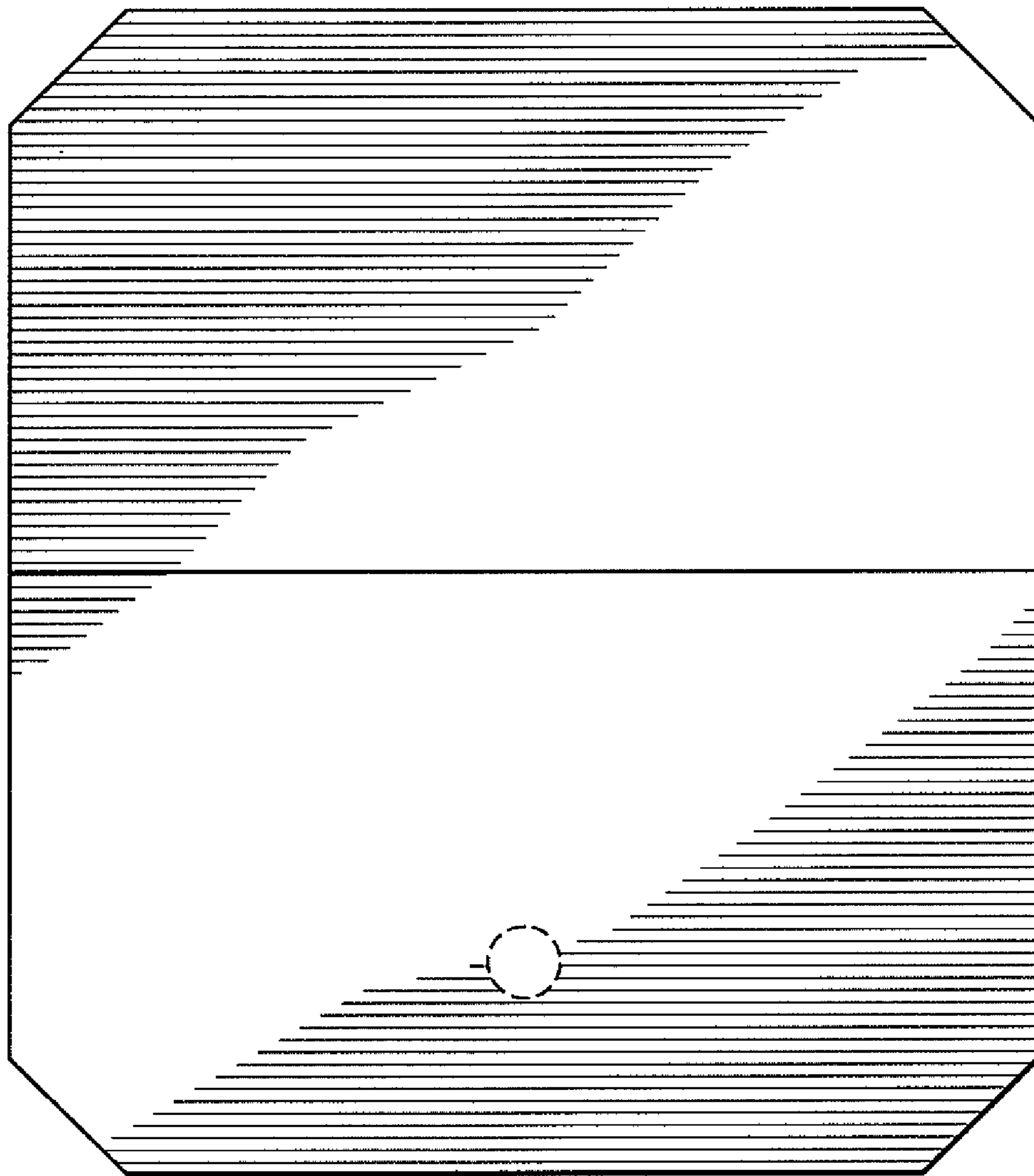


FIG. 6

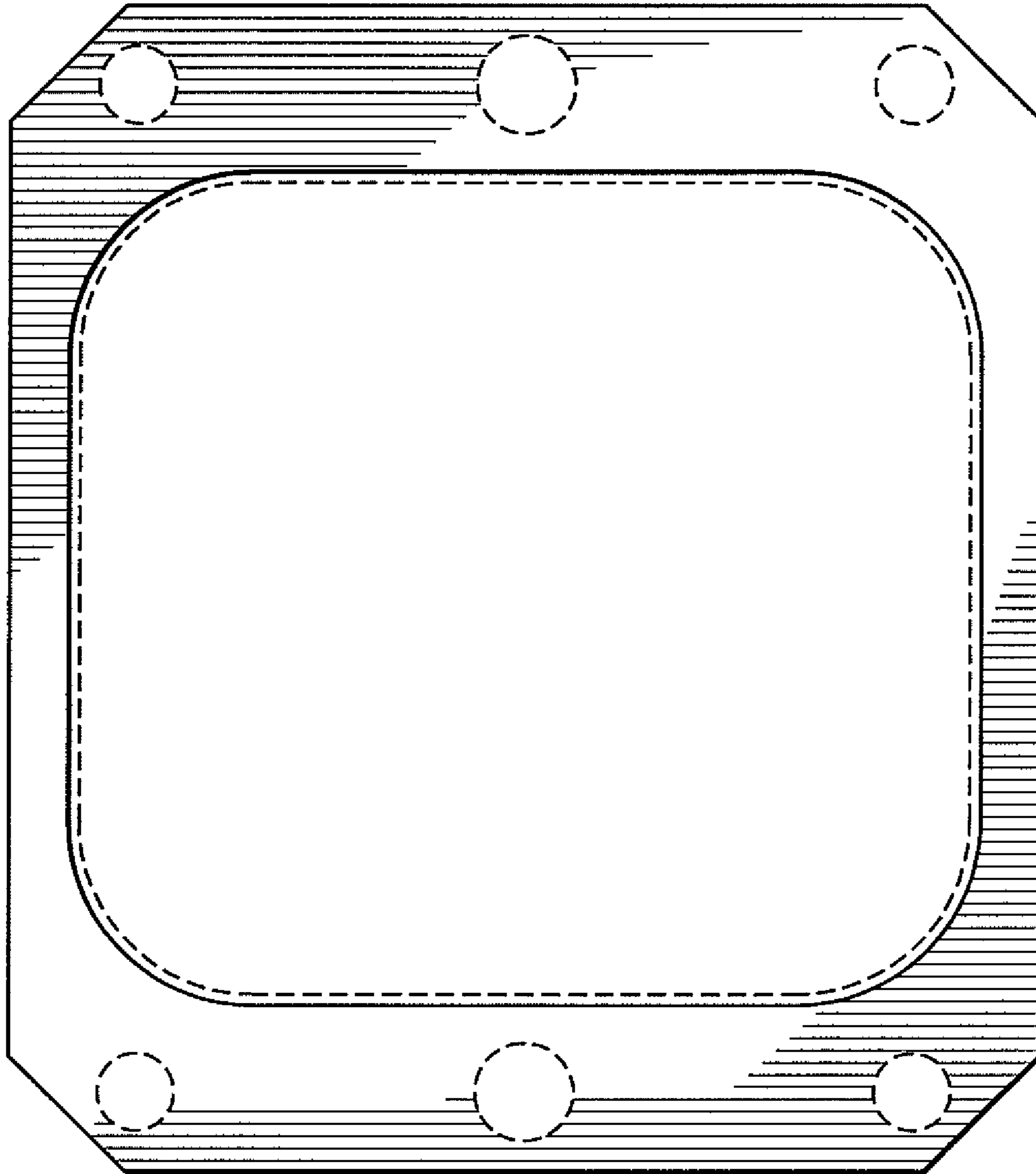


FIG. 7