



US00D588125S

(12) **United States Design Patent**
Choi

(10) **Patent No.:** **US D588,125 S**
(45) **Date of Patent:** **** Mar. 10, 2009**

(54) **TOP PORTION OF A HOUSING OF A MOBILE DEVICE**

(75) Inventor: **JaeHo Choi**, Whitestone, NY (US)

(73) Assignee: **Symbol Technologies, Inc.**, Holtsville, NY (US)

(**) Term: **14 Years**

(21) Appl. No.: **29/276,720**

(22) Filed: **Feb. 2, 2007**

(51) **LOC (9) Cl.** **14-02**

(52) **U.S. Cl.** **D14/341**

(58) **Field of Classification Search** D14/341, D14/342, 343, 344, 345, 346, 347, 420, 426, D14/427, 432, 439, 440, 441, 448, 496, 125, D14/137, 129, 130, 138, 250, 389, 147, 218, D14/247, 248, 156; D10/65, 78, 104, 46; D13/168; D18/6, 7; D21/329, 686; D6/596, D6/601, 605; 455/90.3, 556.1, 556.2, 575.1, 455/575.3, 575.4; 379/433.01, 433.04, 433.06, 379/433.07; 361/814; 341/22; 345/169, 345/173

See application file for complete search history.

(56) **References Cited**

U.S. PATENT DOCUMENTS

D453,536 S * 2/2002 Ota et al. D21/329
D470,896 S * 2/2003 Hussaini et al. D21/333

D483,361 S * 12/2003 Yao et al. D14/374
D502,224 S * 2/2005 Eguchi et al. D21/329
D519,523 S * 4/2006 Chiu et al. D14/136
D528,106 S * 9/2006 Lee et al. D14/240
D552,322 S * 10/2007 Perrier et al. D34/27
2008/0182442 A1 * 7/2008 Choi et al. 439/166
2008/0183781 A1 * 7/2008 Hamilton et al. 708/130

* cited by examiner

Primary Examiner—Cathron C Brooks

Assistant Examiner—Barbara Fox

(74) *Attorney, Agent, or Firm*—Fay Kaplun & Marcin, LLP

(57) **CLAIM**

The ornamental design for a top portion of a housing of a mobile device, as shown and described.

DESCRIPTION

FIG. 1 is a perspective view of a top portion of a mobile device showing our new design;

FIG. 2 is a top view thereof;

FIG. 3 is a front view thereof;

FIG. 4 is a rear view thereof;

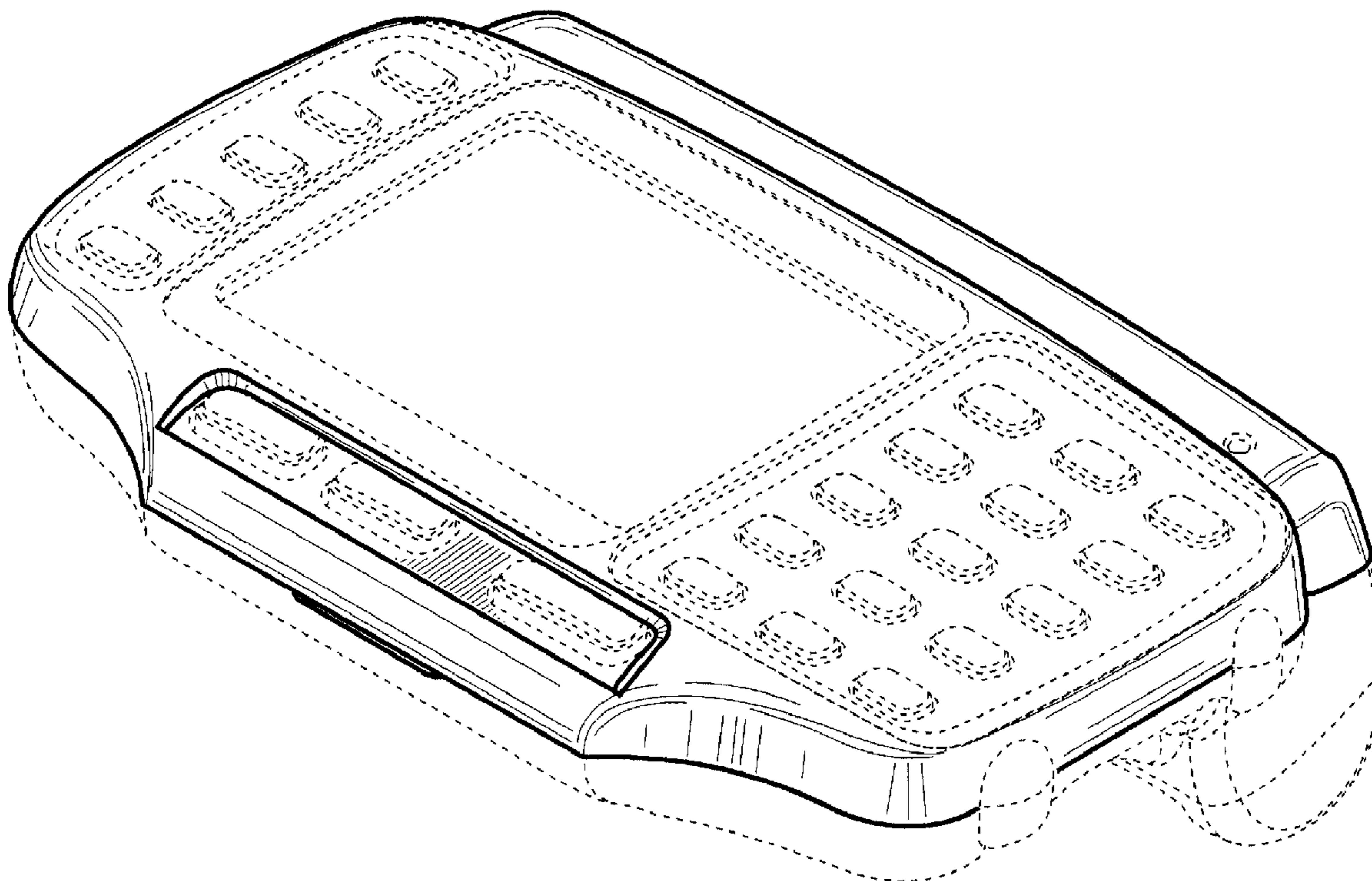
FIG. 5 is a right side view thereof;

FIG. 6 is a left side view thereof; and,

FIG. 7 is a bottom view thereof.

The broken lines shown in FIGS. 1–7 are included for illustrative purposes only and form no part of the claimed design.

1 Claim, 3 Drawing Sheets



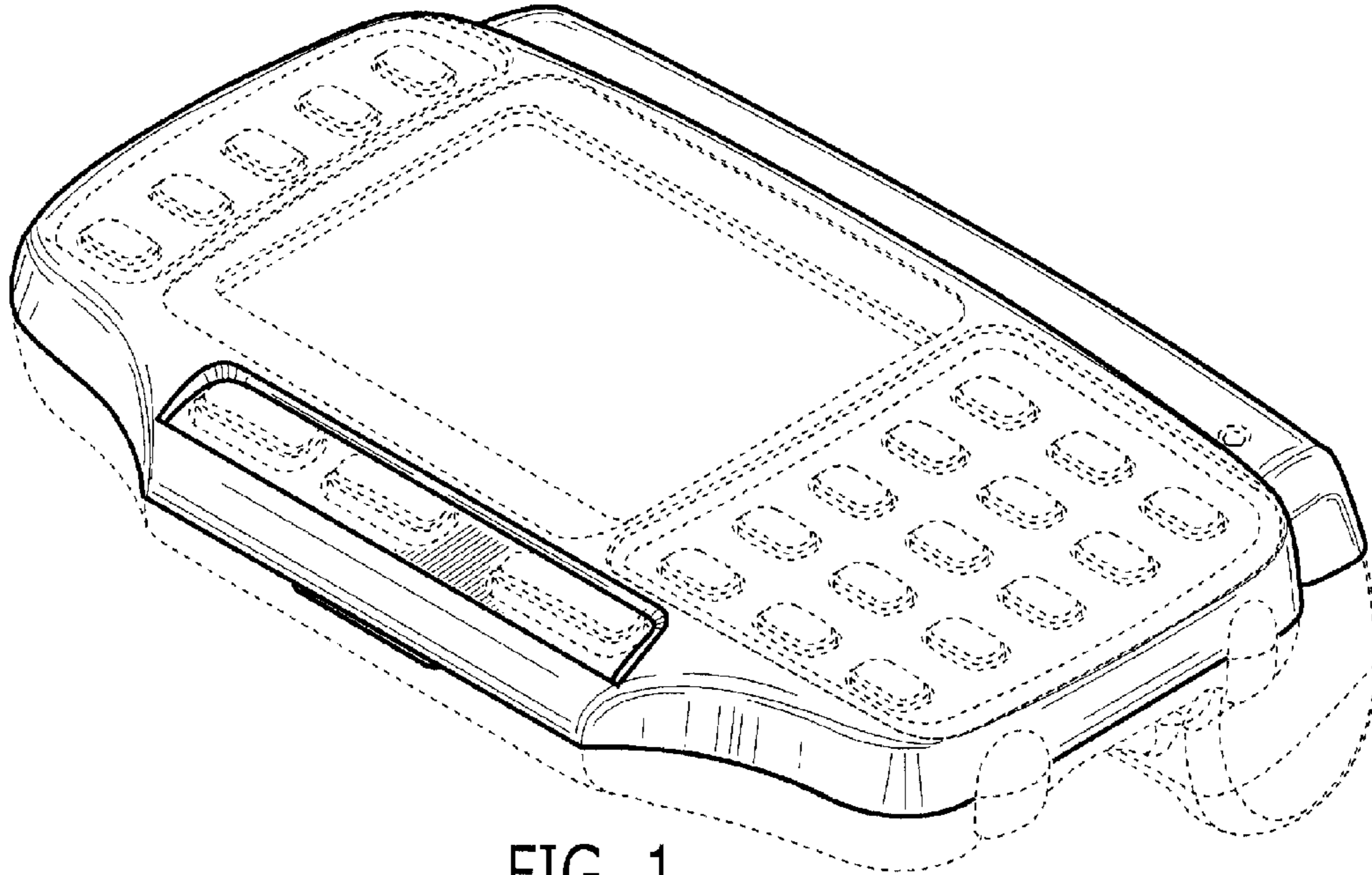


FIG. 1

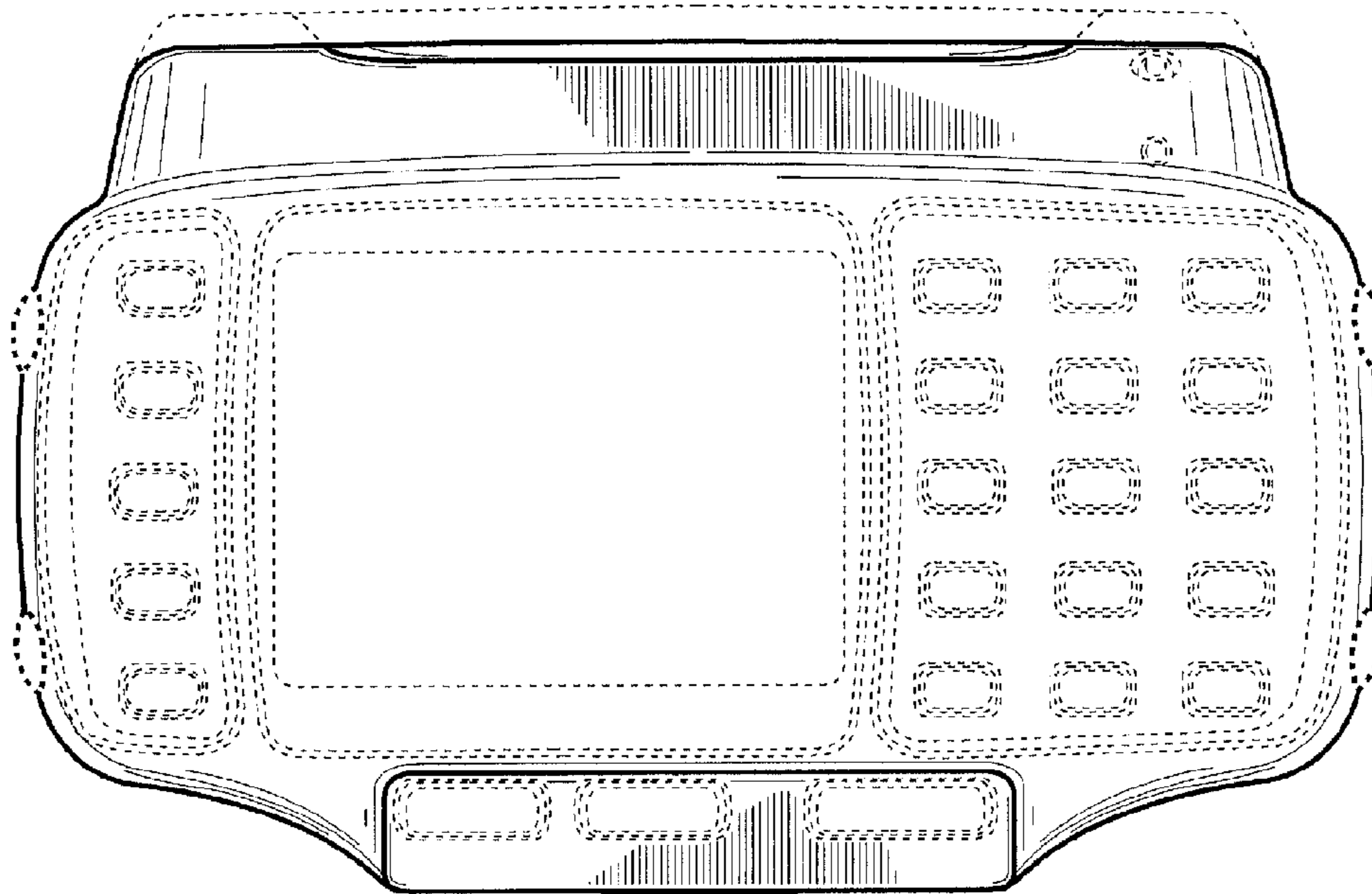


FIG. 2

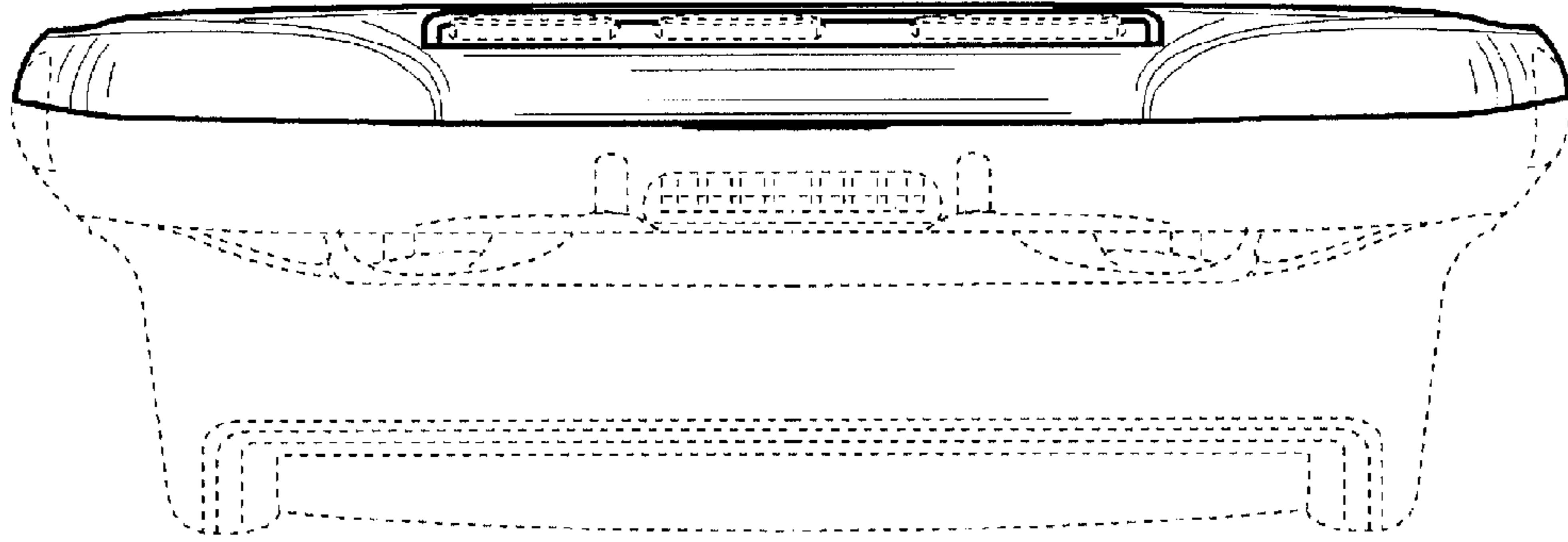


FIG. 3

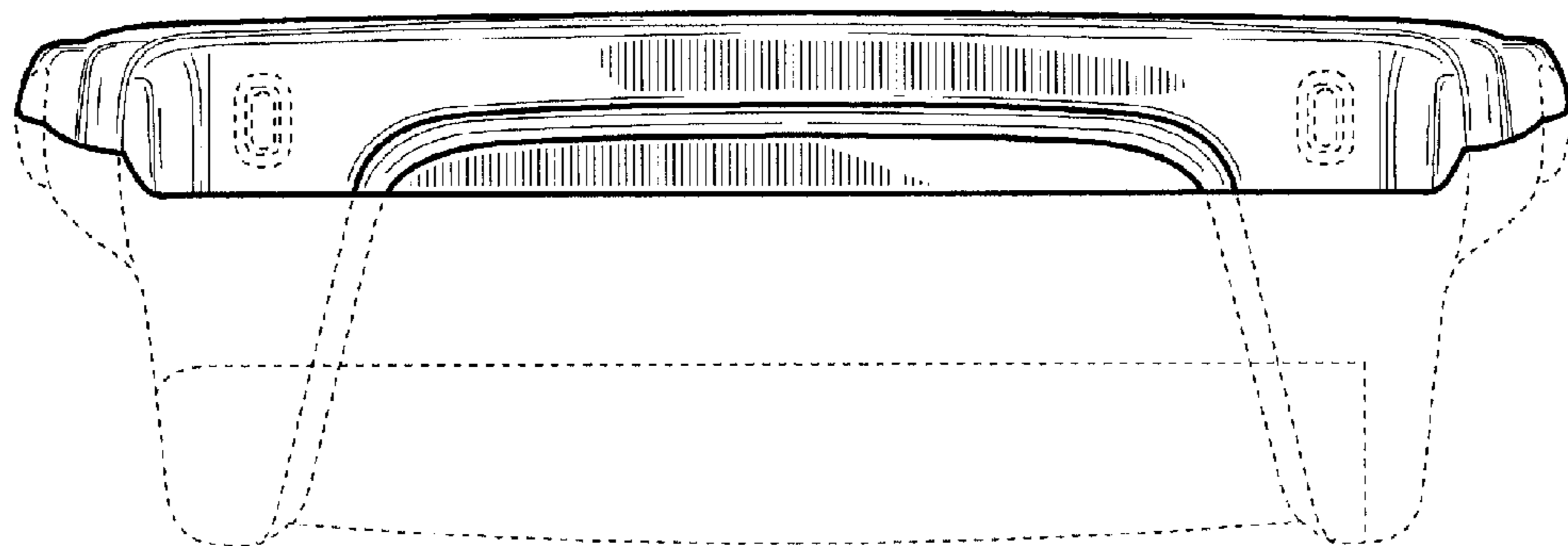


FIG. 4

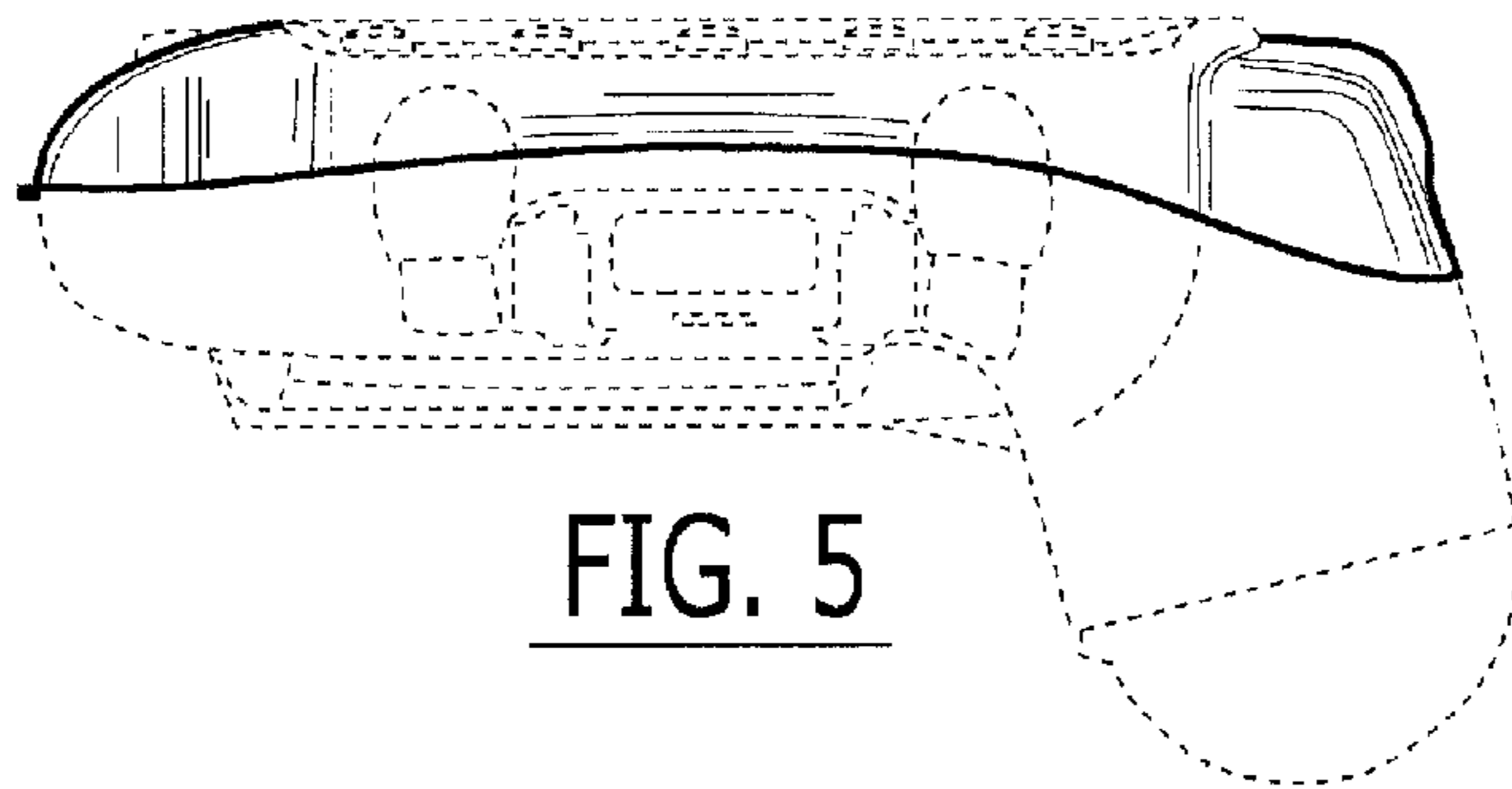


FIG. 5

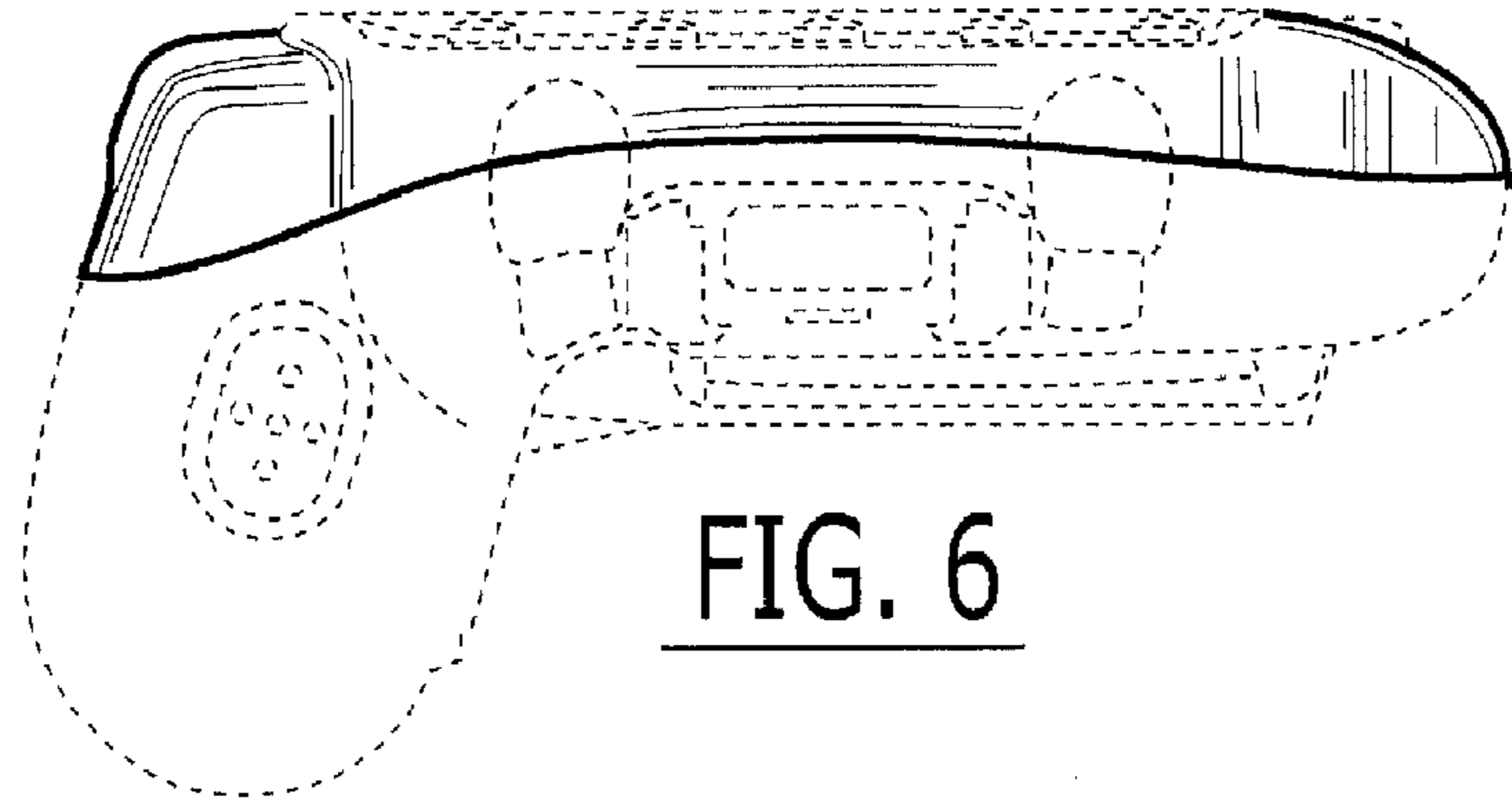


FIG. 6

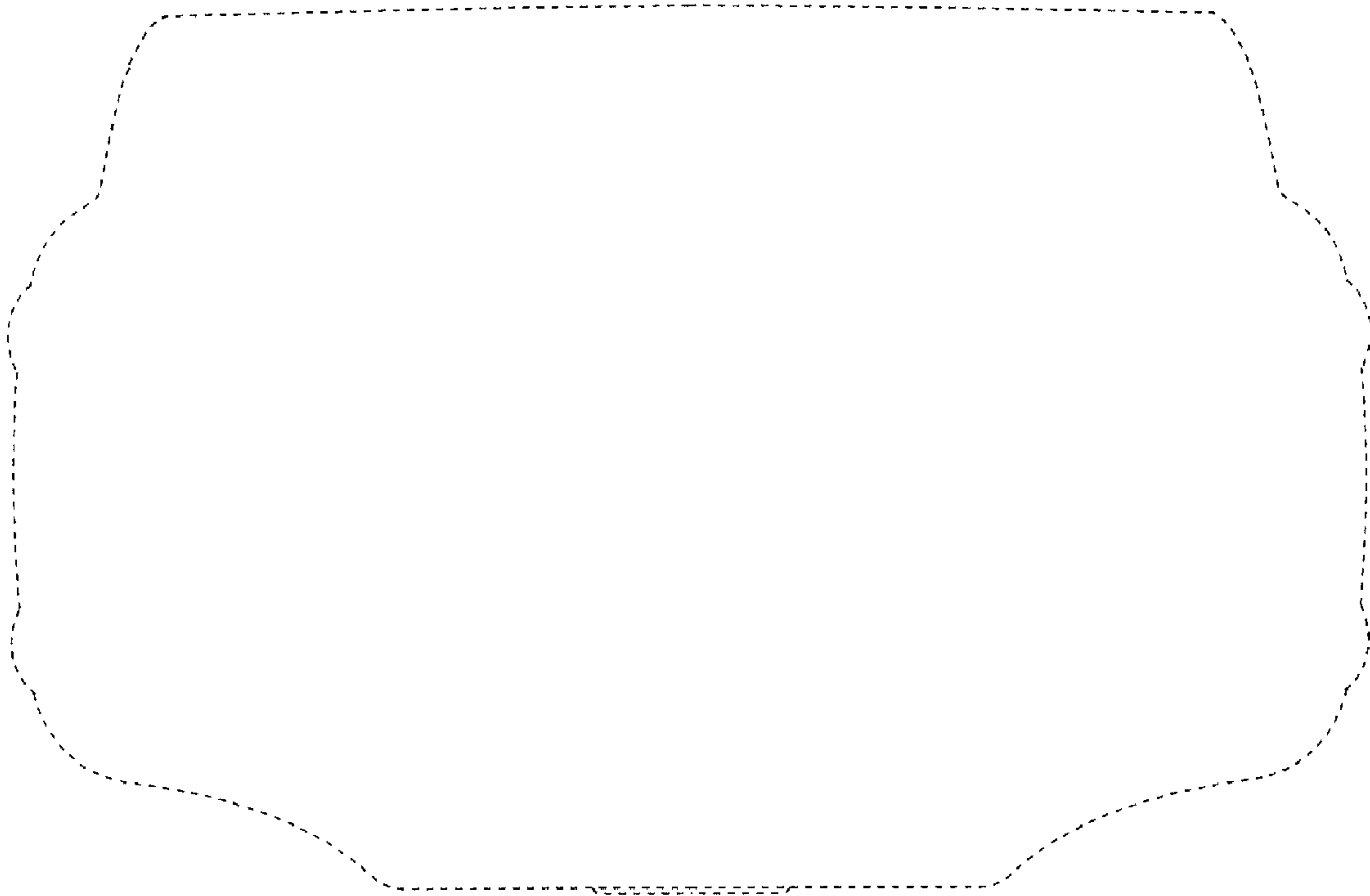


FIG. 7