



US00D588124S

(12) **United States Design Patent**
Shimizu

(10) **Patent No.:** **US D588,124 S**
(45) **Date of Patent:** **** Mar. 10, 2009**

(54) **COMBINED MONITOR DISPLAY AND COMPUTER**

(75) Inventor: **Yosuke Shimizu**, Tokyo (JP)

(73) Assignee: **Sony Corporation**, Tokyo (JP)

(**) Term: **14 Years**

(21) Appl. No.: **29/267,260**

(22) Filed: **Oct. 11, 2006**

(30) **Foreign Application Priority Data**

Apr. 11, 2006	(JP)	D2006-009408
Apr. 11, 2006	(JP)	D2006-009409
Apr. 11, 2006	(JP)	D2006-009410
Apr. 11, 2006	(JP)	D2006-009411
Apr. 11, 2006	(JP)	D2006-009412
Apr. 11, 2006	(JP)	D2006-009413

(51) **LOC (9) Cl.** **14-02**

(52) **U.S. Cl.** **D14/337; D14/336**

(58) **Field of Classification Search** D14/328,
D14/331, 336-337, 343, 371-376, 125-129;
248/917-924; 341/12; 345/1.1, 104, 156,
345/157, 168, 173; 348/180, 184, 352, 739;
349/1, 2, 11, 62; 361/680-686

See application file for complete search history.

(56) **References Cited**

U.S. PATENT DOCUMENTS

D294,578 S *	3/1988	Yubisui	D14/328
D298,537 S *	11/1988	Walters et al.	D14/328
D319,222 S *	8/1991	Mizusugi et al.	D14/331
5,260,884 A *	11/1993	Stern	361/680
D373,347 S *	9/1996	Ashley et al.	D14/343
D378,083 S *	2/1997	Ando	D14/336
D380,213 S	6/1997	Morimiya		
D441,732 S	5/2001	Ota		
D454,845 S	3/2002	Niitsu		
D471,191 S *	3/2003	Yu et al.	D14/331
D479,230 S *	9/2003	Hirose et al.	D14/337
D488,451 S	4/2004	Niitsu		
D500,034 S *	12/2004	Johnson	D14/336
D508,914 S *	8/2005	Ishii	D14/337

* cited by examiner

Primary Examiner—Freda S Nunn
(74) *Attorney, Agent, or Firm*—Rader, Fishman & Grauer, PLLC

(57) **CLAIM**

The ornamental design for a combined monitor display and computer, as shown and described.

DESCRIPTION

FIG. 1 is a perspective view of an embodiment of a combined monitor display and computer showing my new design;

FIG. 2 is a front elevational view thereof;

FIG. 3 is a rear elevational view thereof;

FIG. 4 is a left side elevational view thereof;

FIG. 5 is a right side elevational view thereof;

FIG. 6 is a top plan view thereof;

FIG. 7 is a bottom plan view thereof;

FIG. 8 is a perspective view of another embodiment of a combined monitor display and computer showing my new design;

FIG. 9 is a front elevational view thereof;

FIG. 10 is a rear elevational view thereof;

FIG. 11 is a left side elevational view thereof;

FIG. 12 is a right side elevational view thereof;

FIG. 13 is a top plan view thereof;

FIG. 14 is a bottom plan view thereof;

FIG. 15 is a perspective view of still another embodiment of a combined monitor display and computer showing my new design;

FIG. 16 is a front elevational view thereof;

FIG. 17 is a rear elevational view thereof;

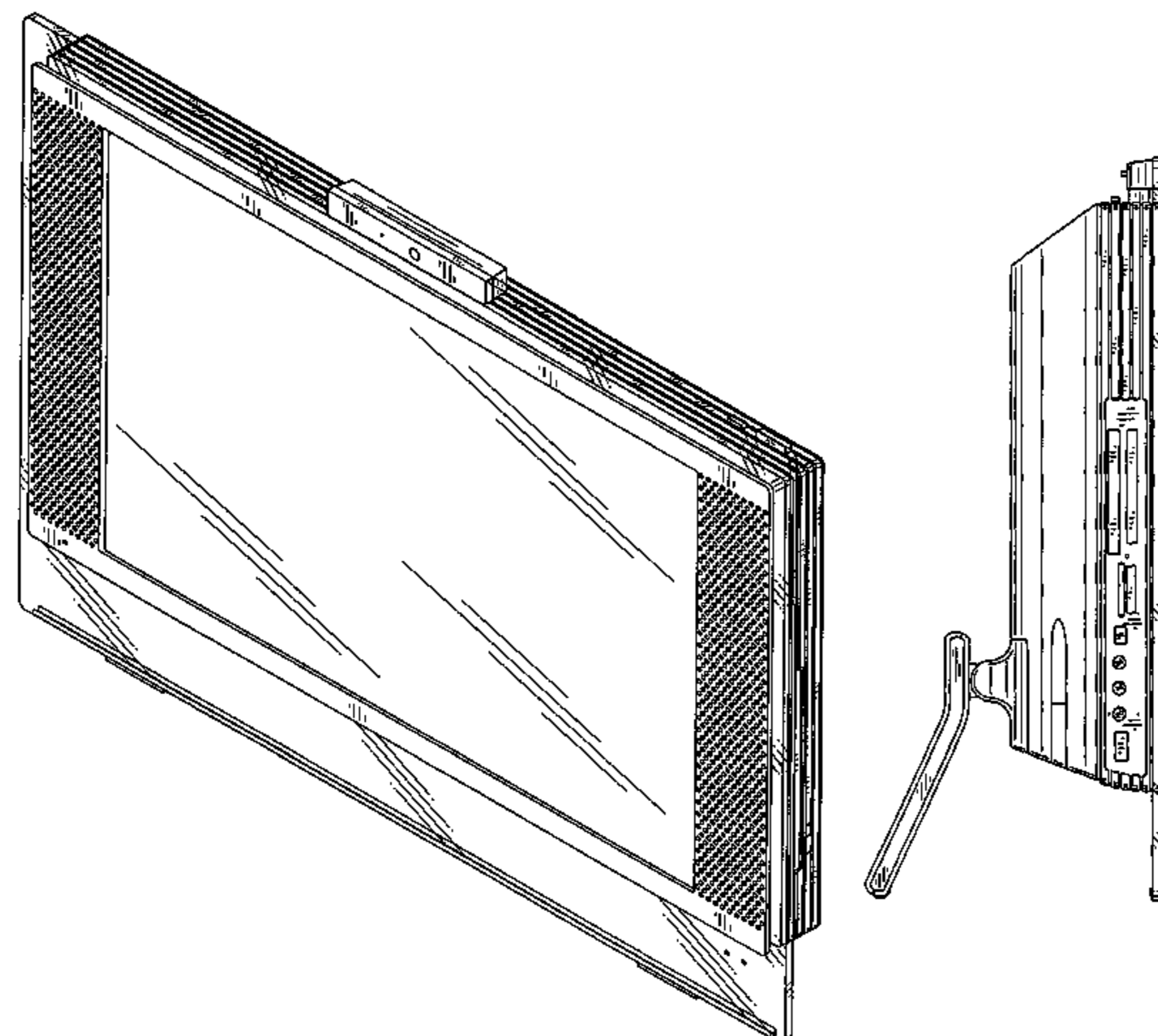
FIG. 18 is a left side elevational view thereof;

FIG. 19 is a right side elevational view thereof;

FIG. 20 is a top plan view thereof; and,

FIG. 21 is a bottom plan view thereof.

1 Claim, 21 Drawing Sheets



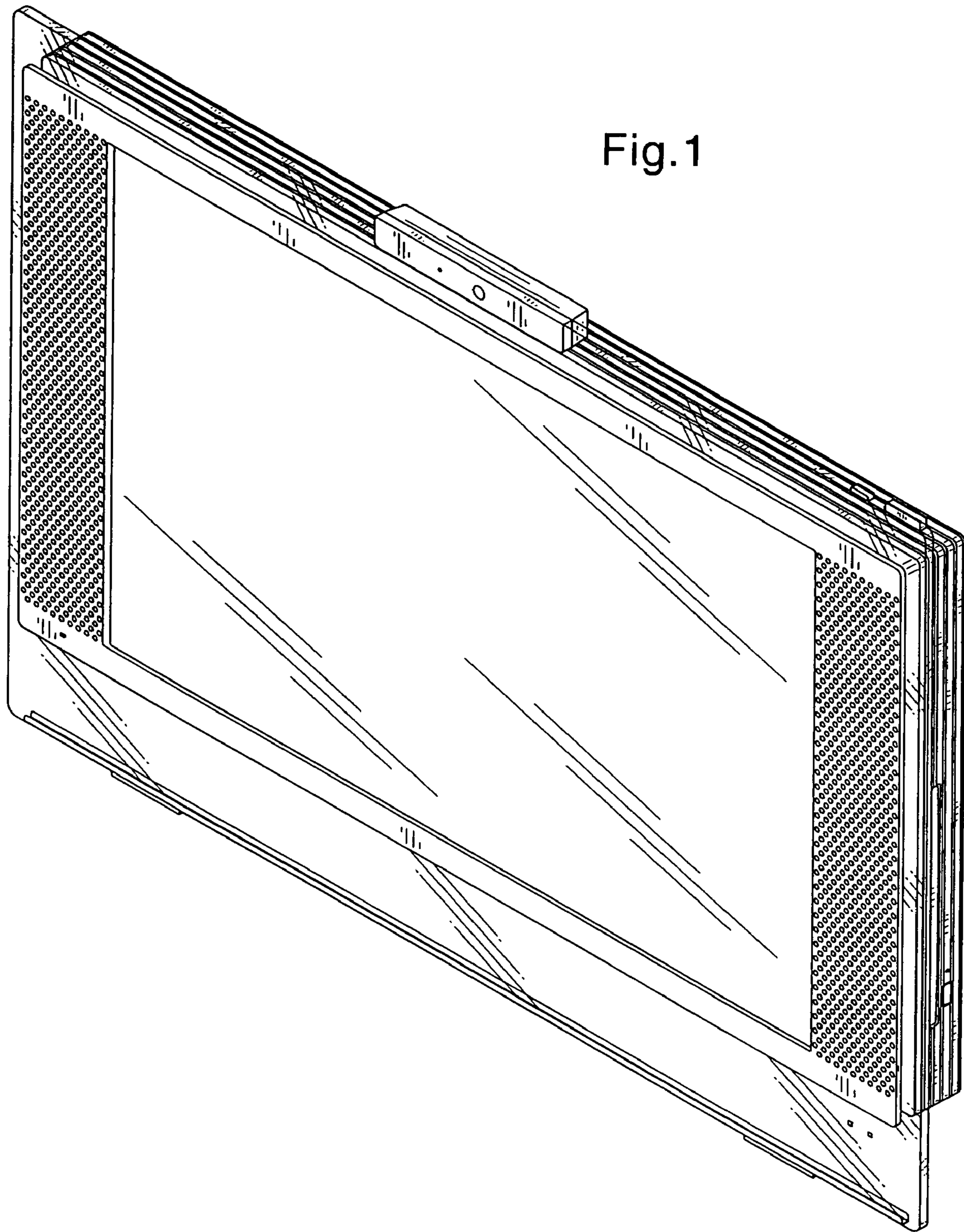


Fig. 1

Fig.2

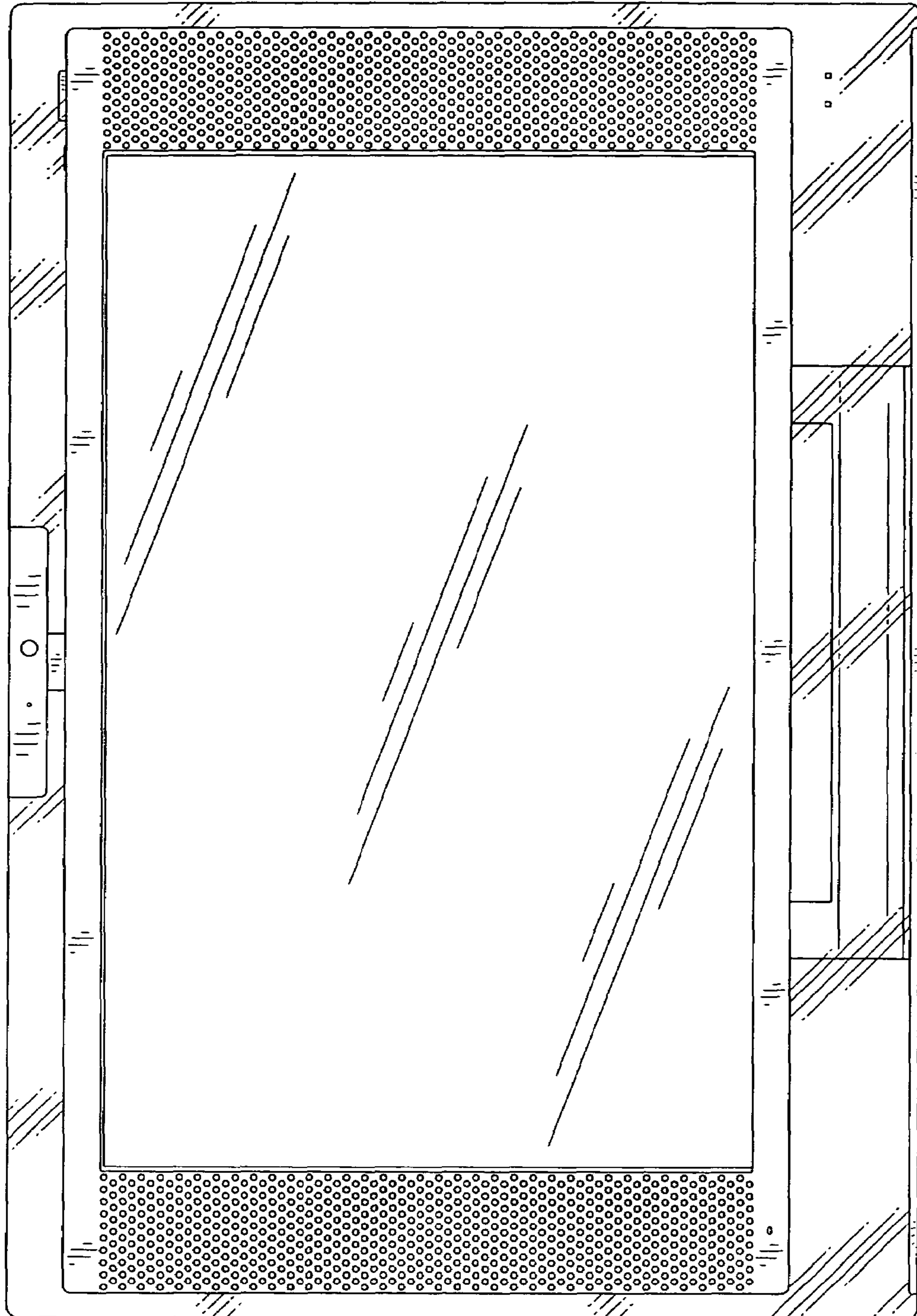


Fig.3

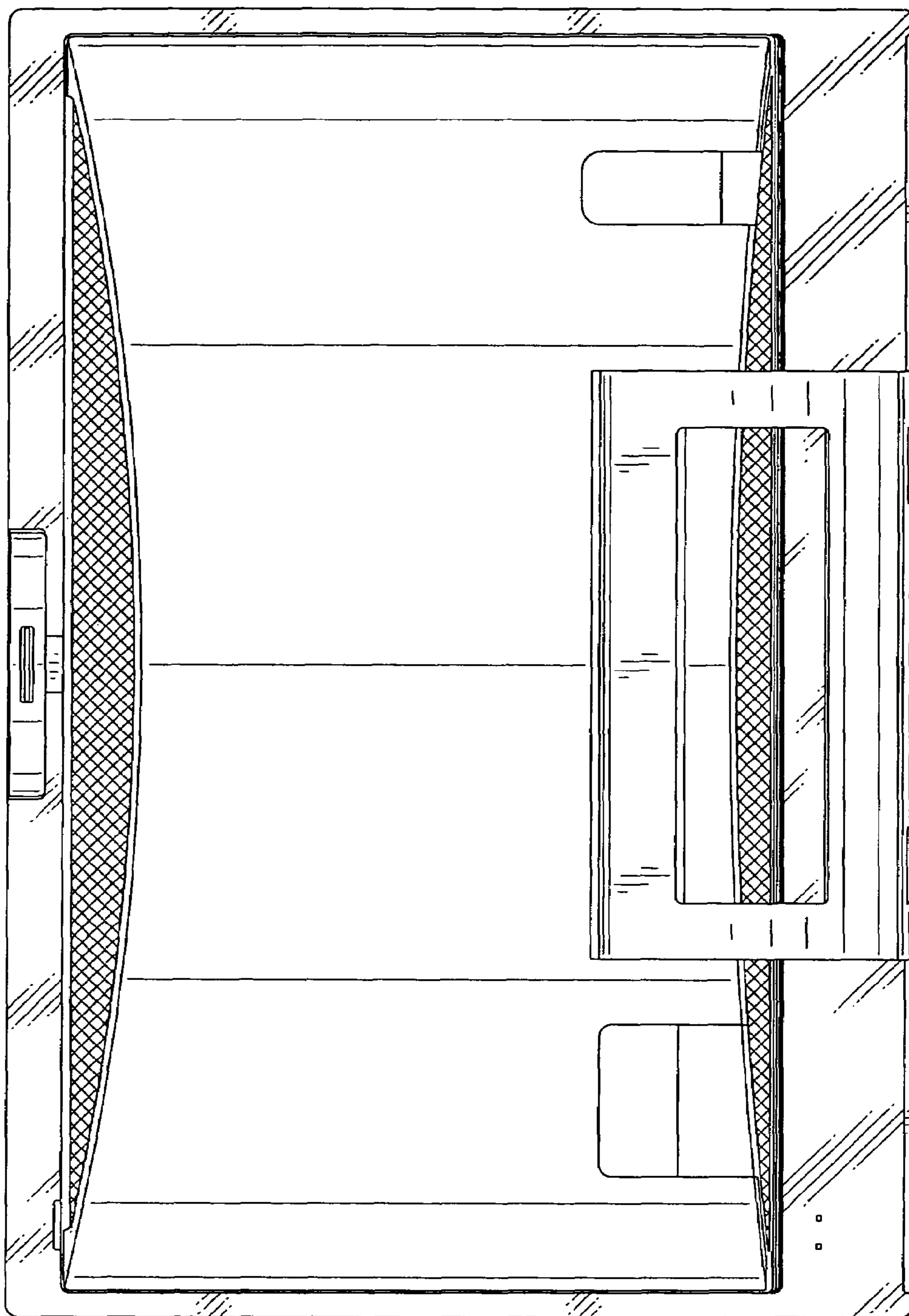


Fig.4

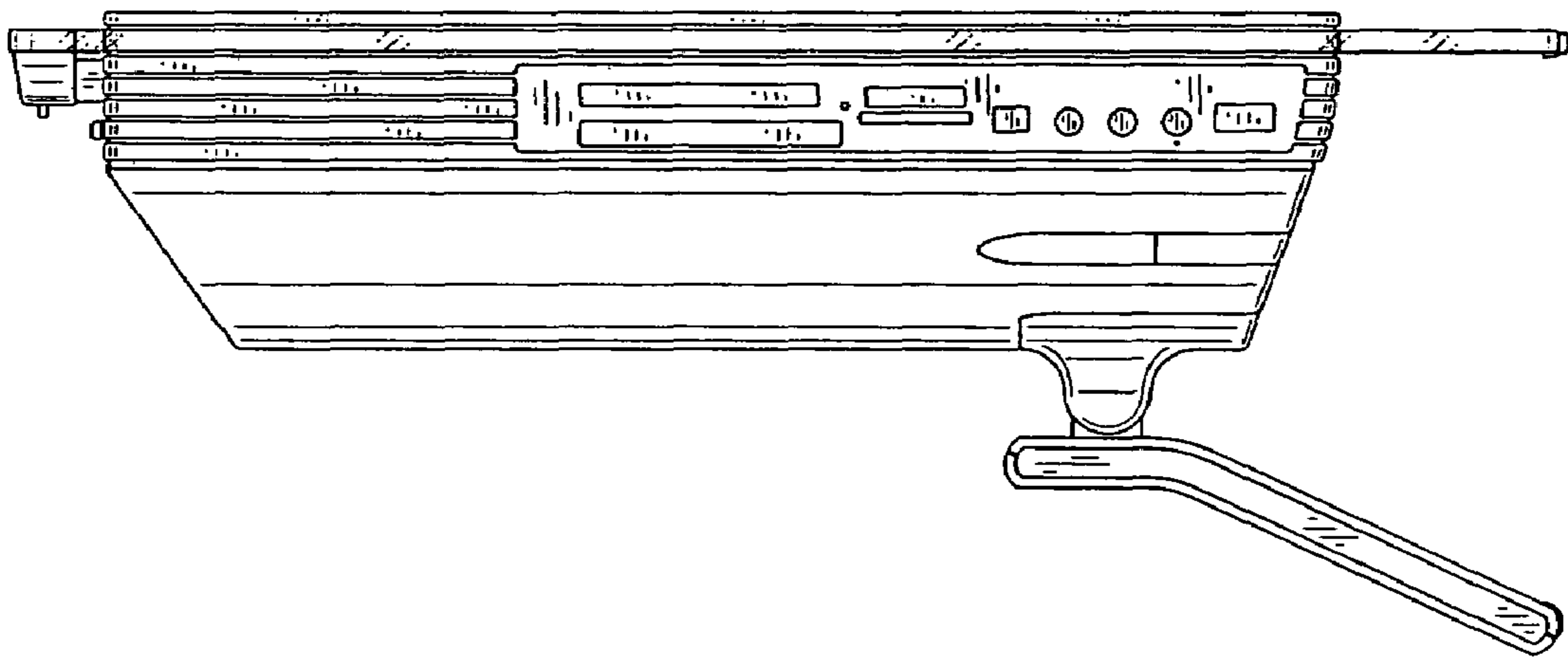


Fig.5

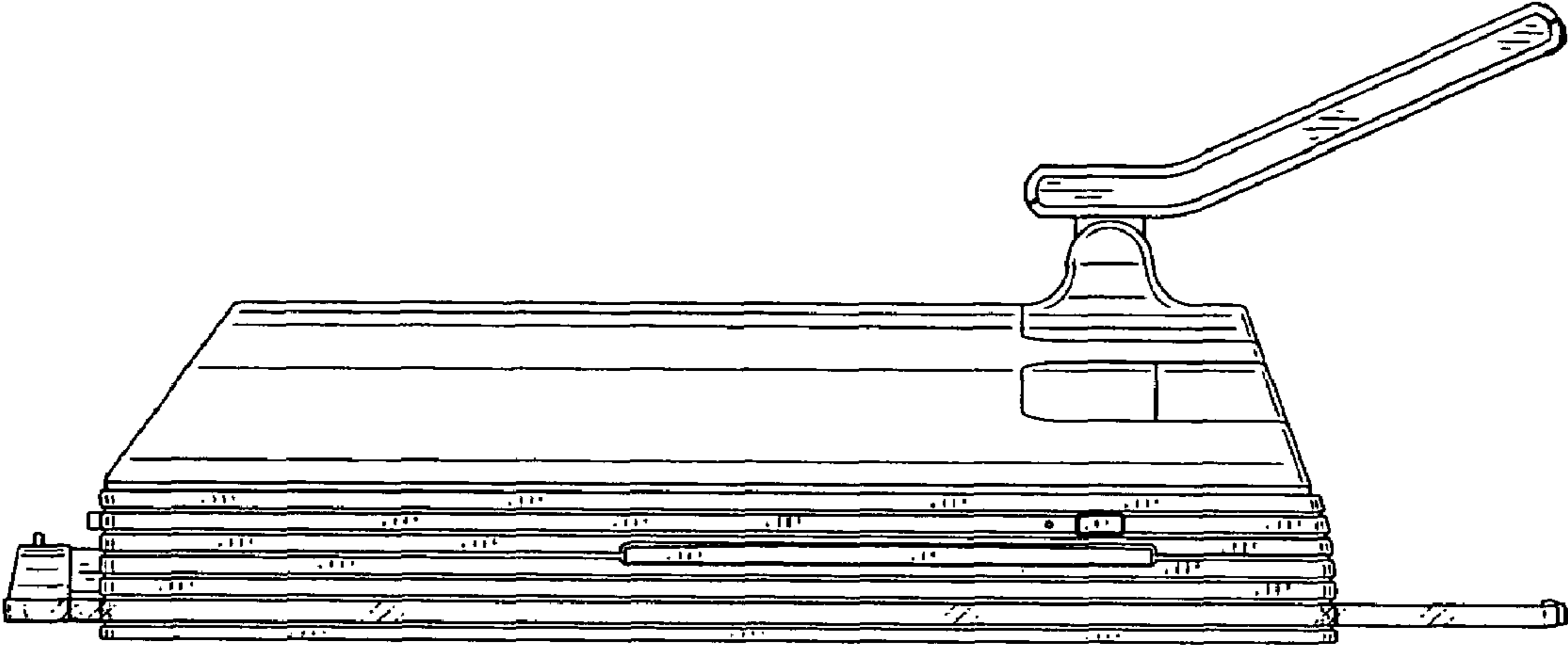


Fig.6

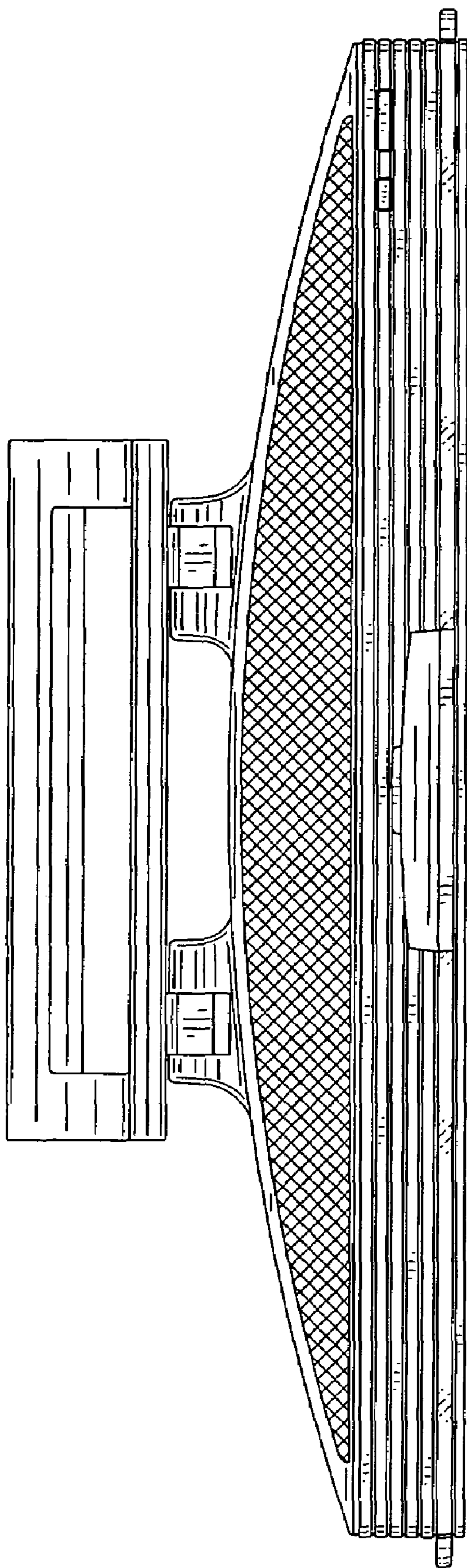
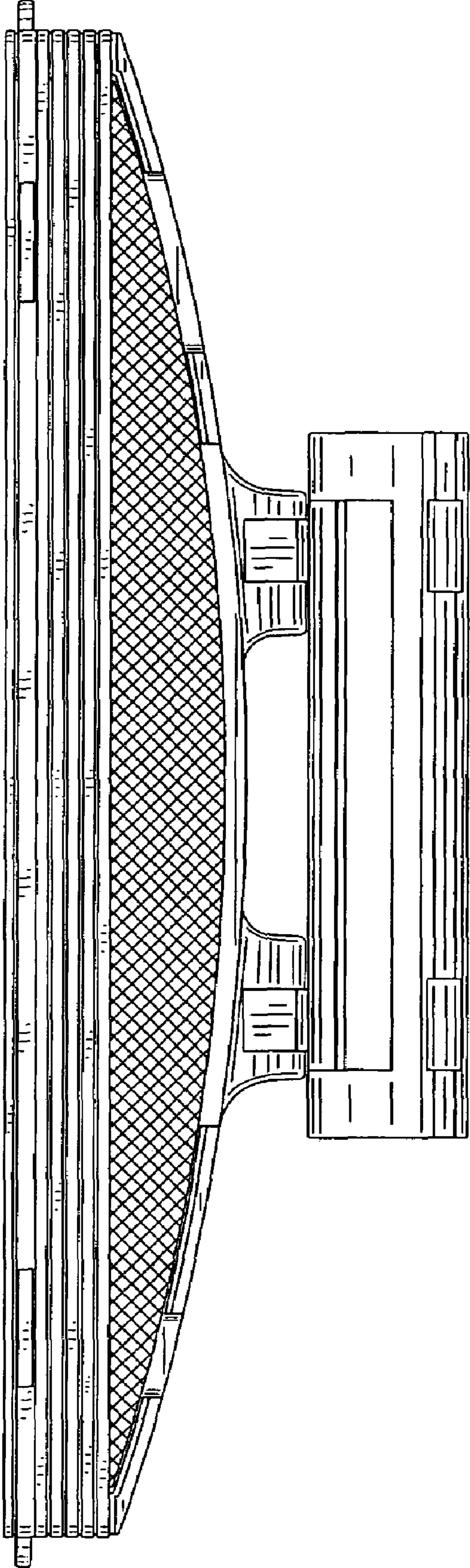


Fig. 7



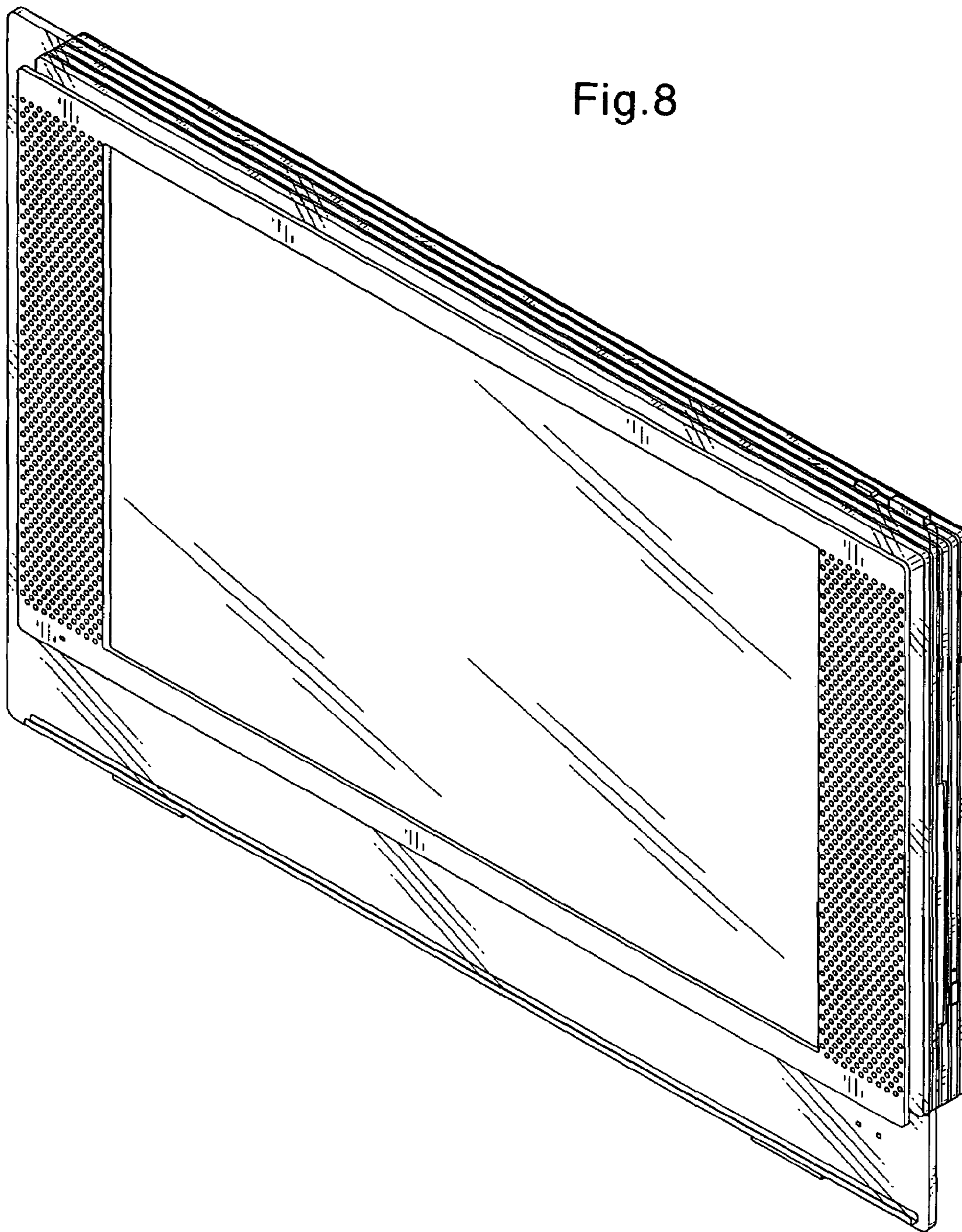


Fig.8

Fig.9

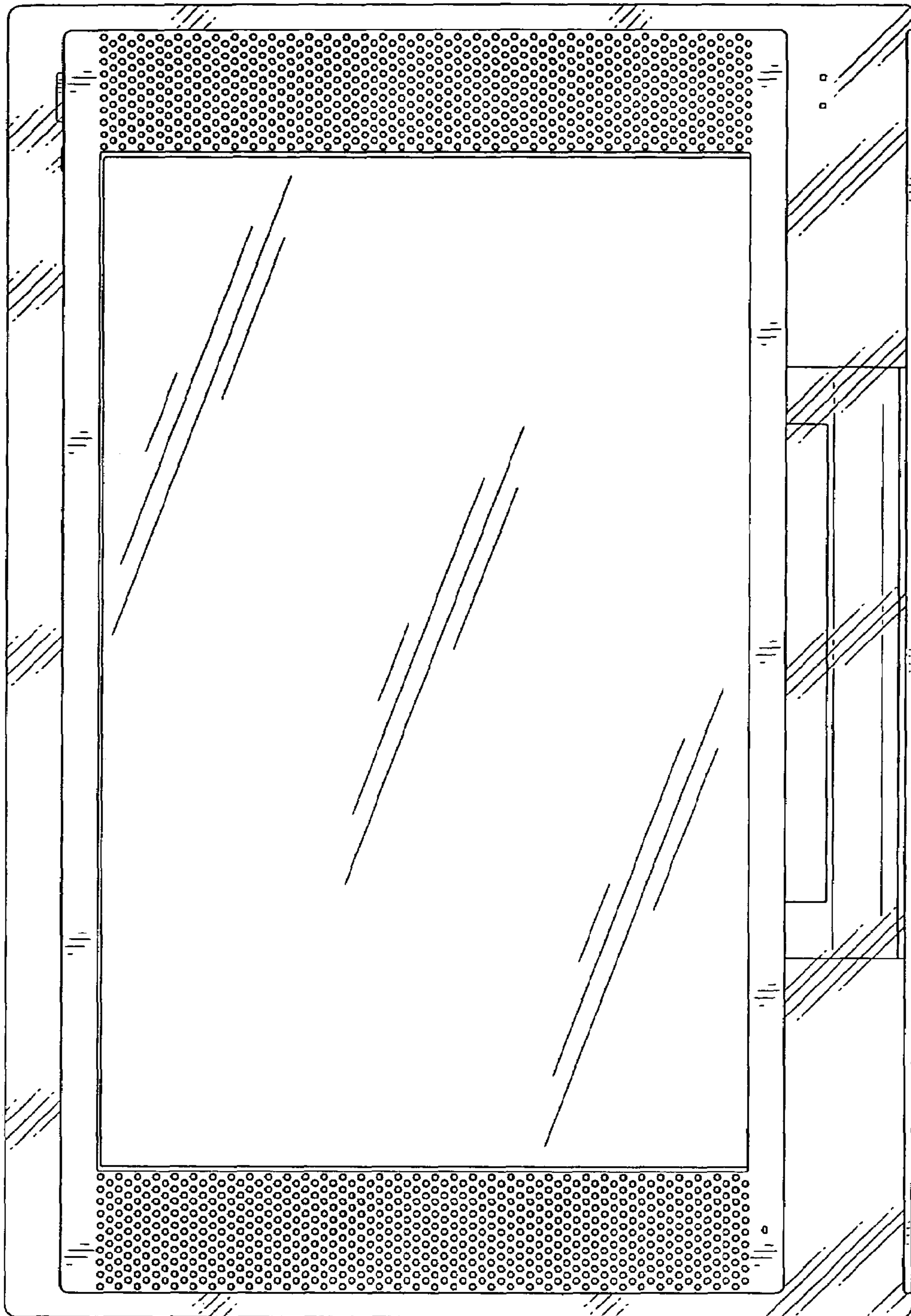


Fig.10

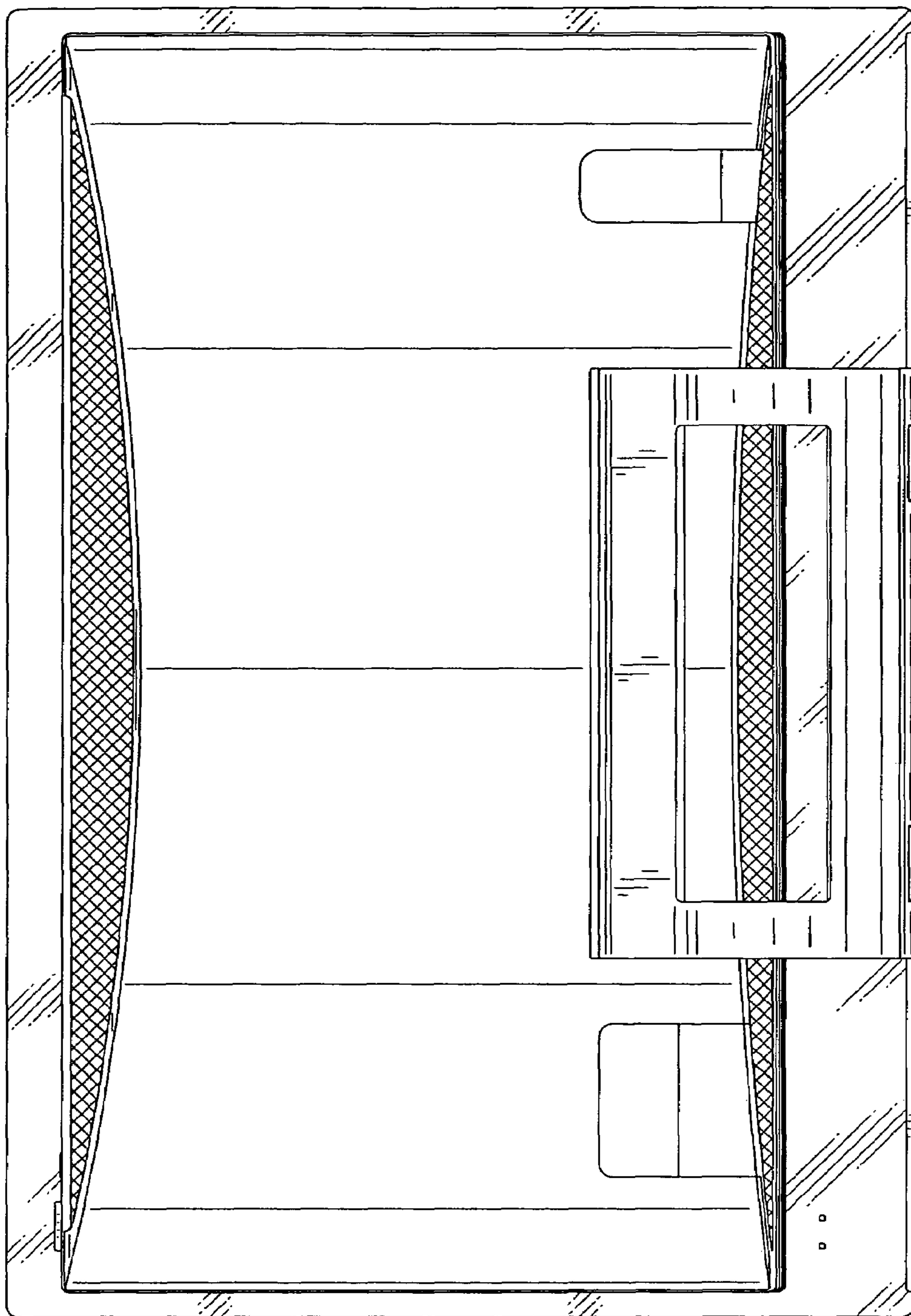


Fig. 11

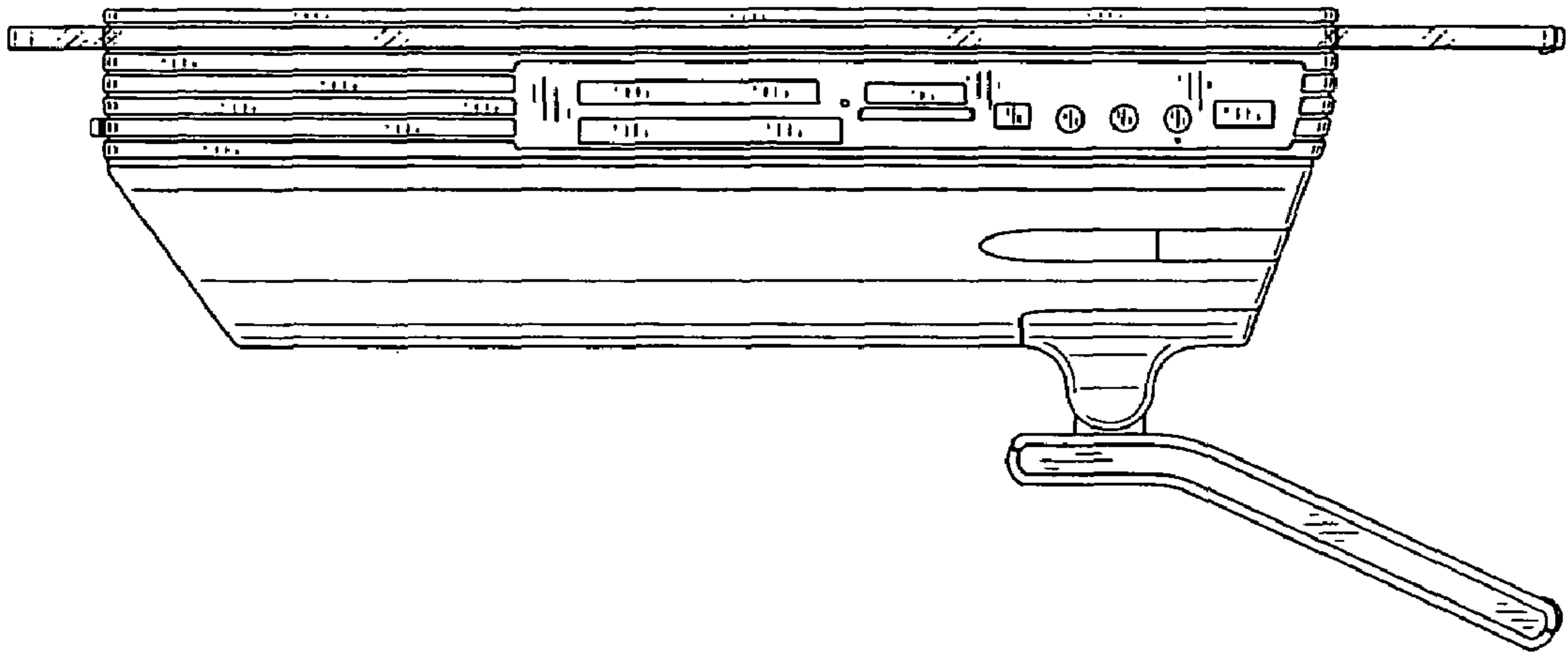


Fig.12

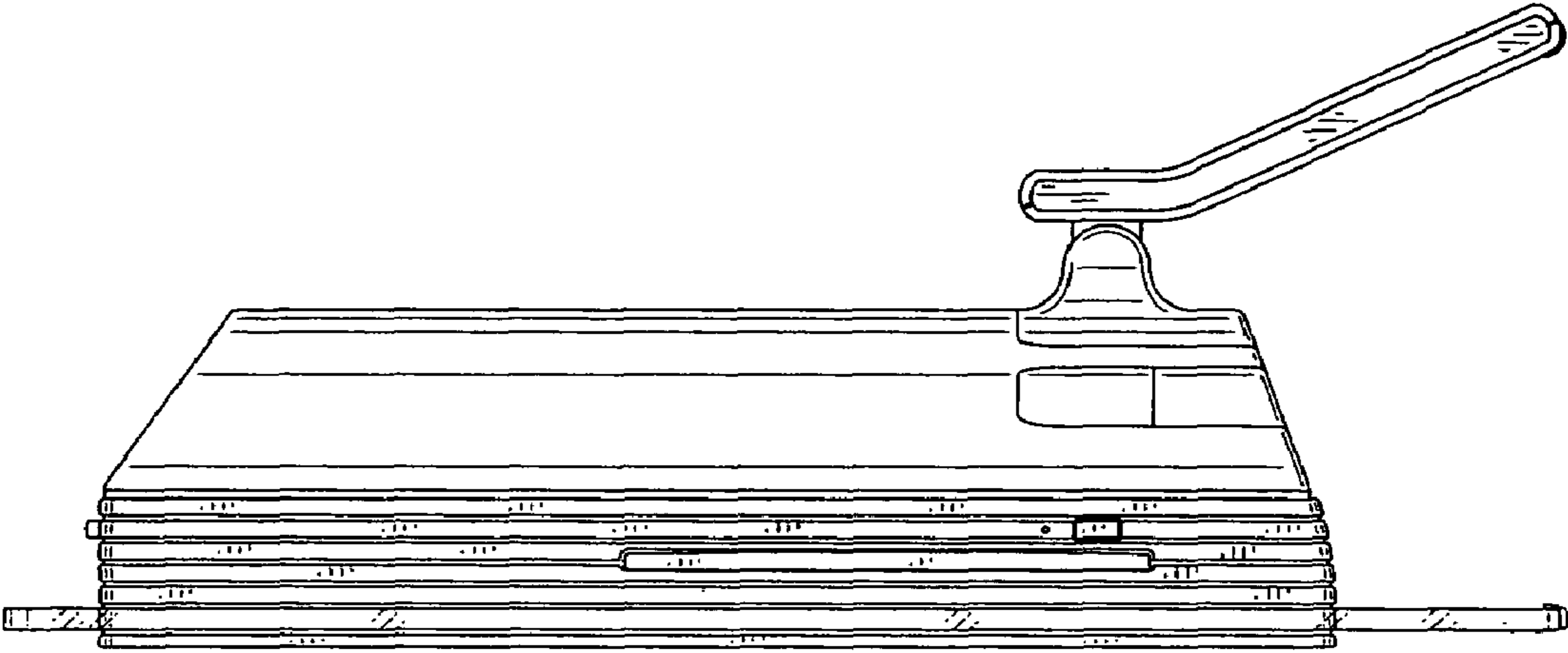


Fig. 13

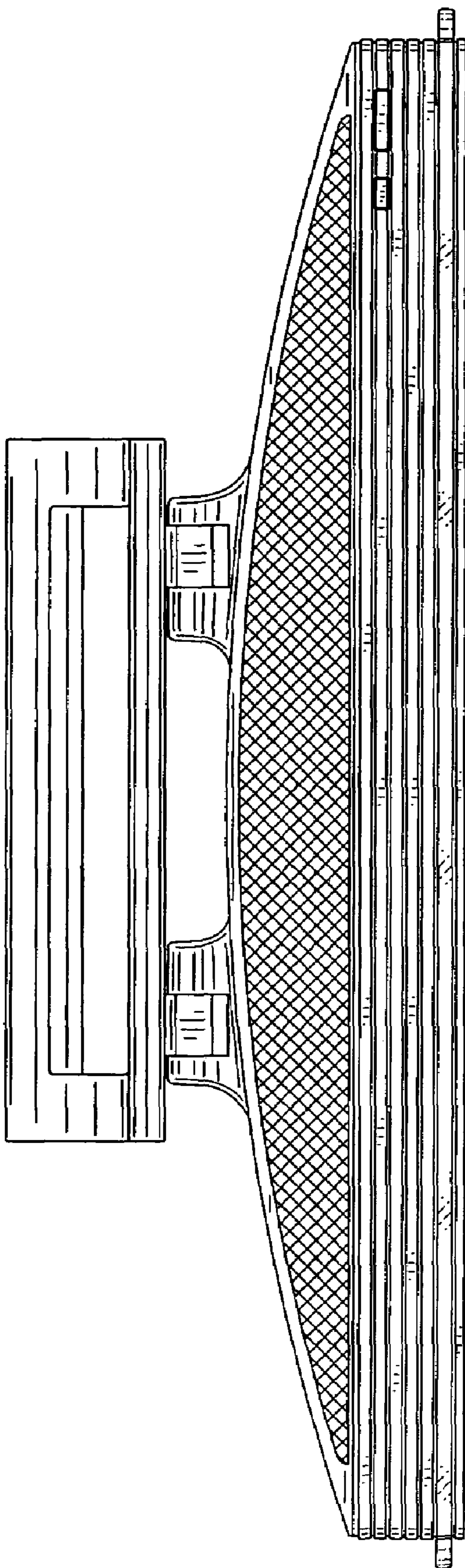
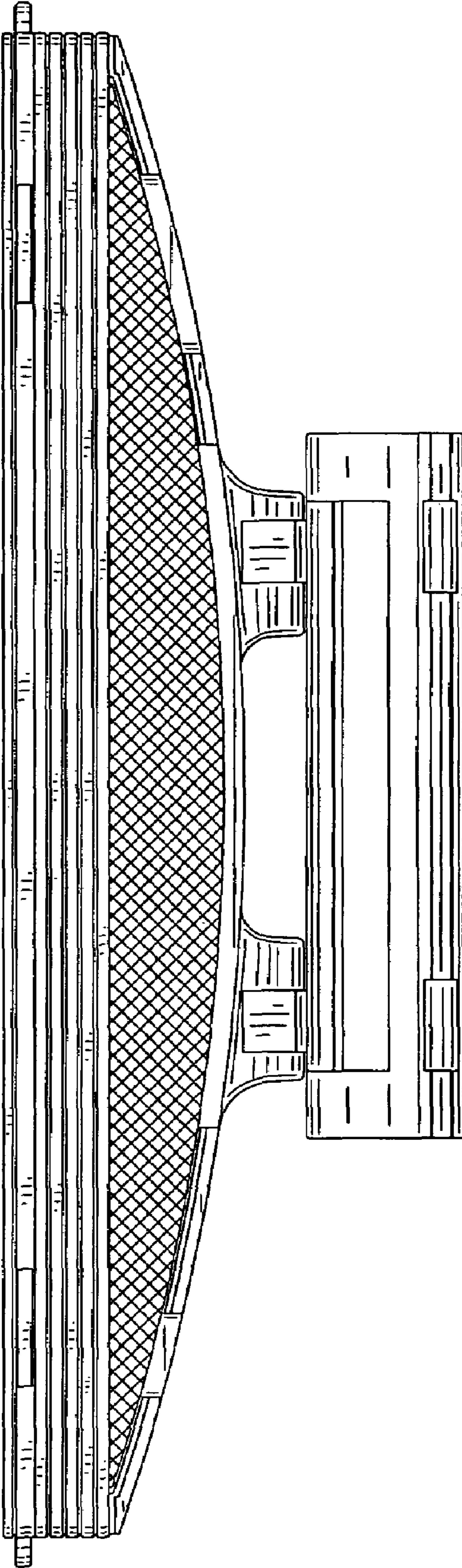


Fig. 14



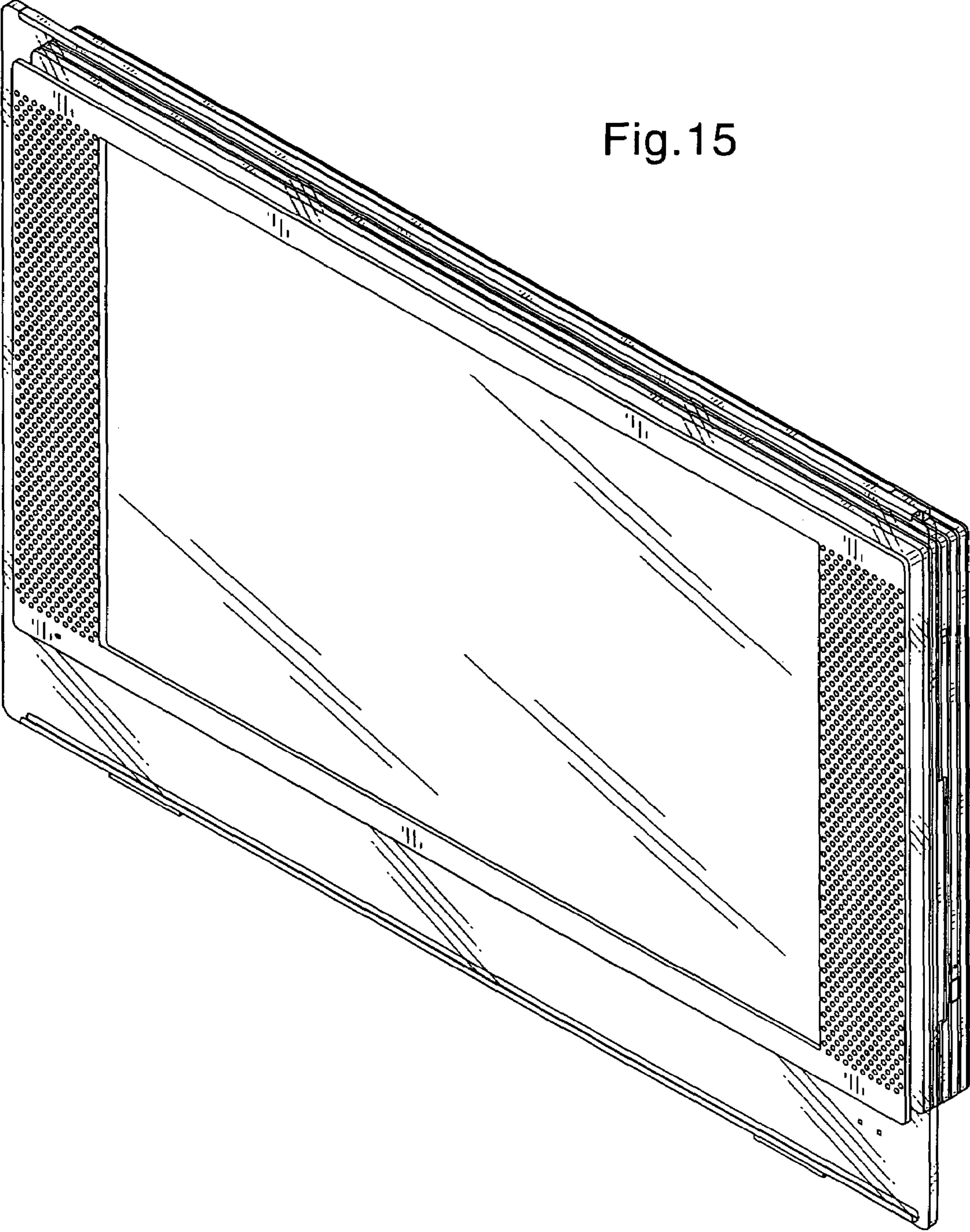


Fig.15

Fig.16

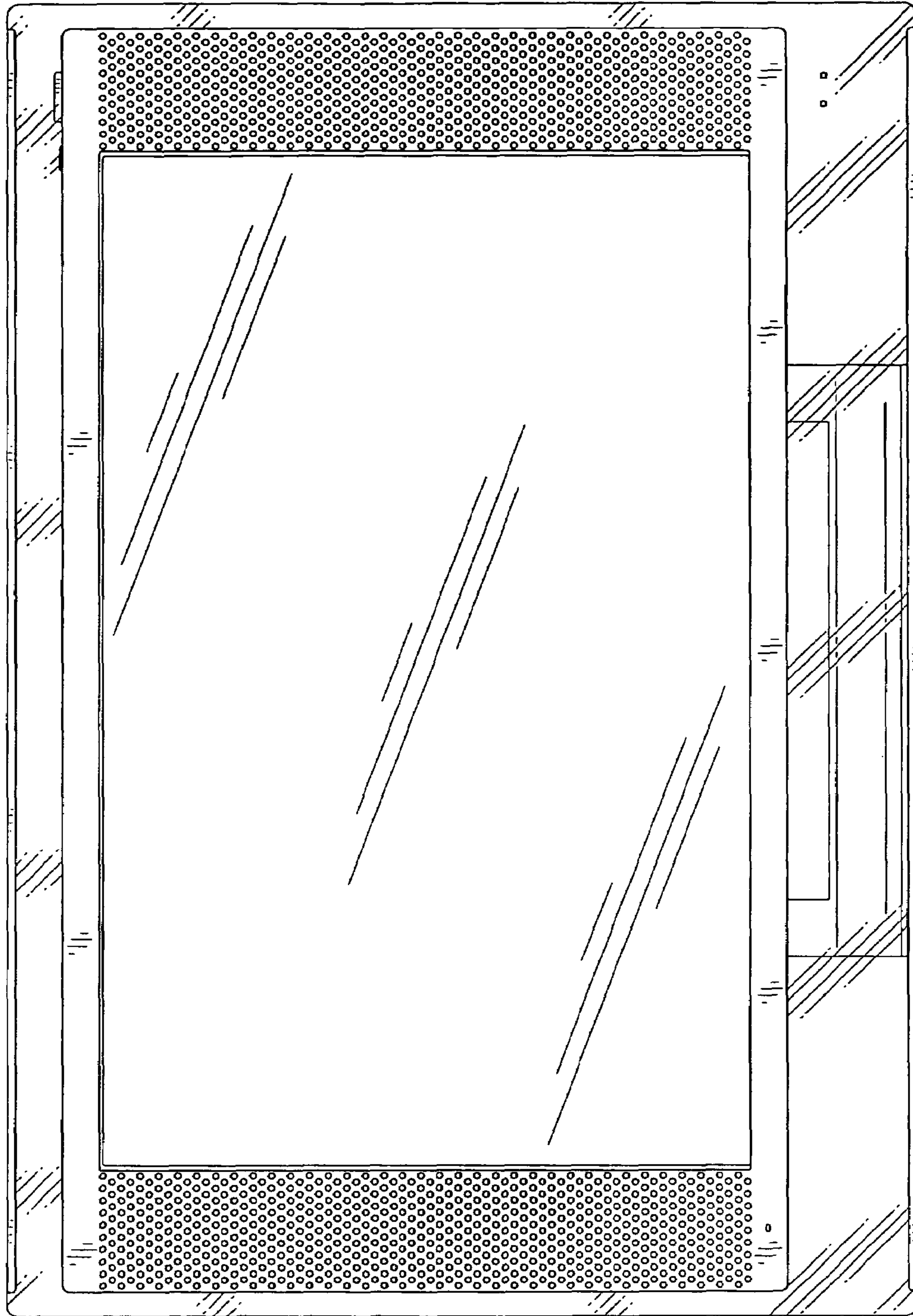


Fig.17

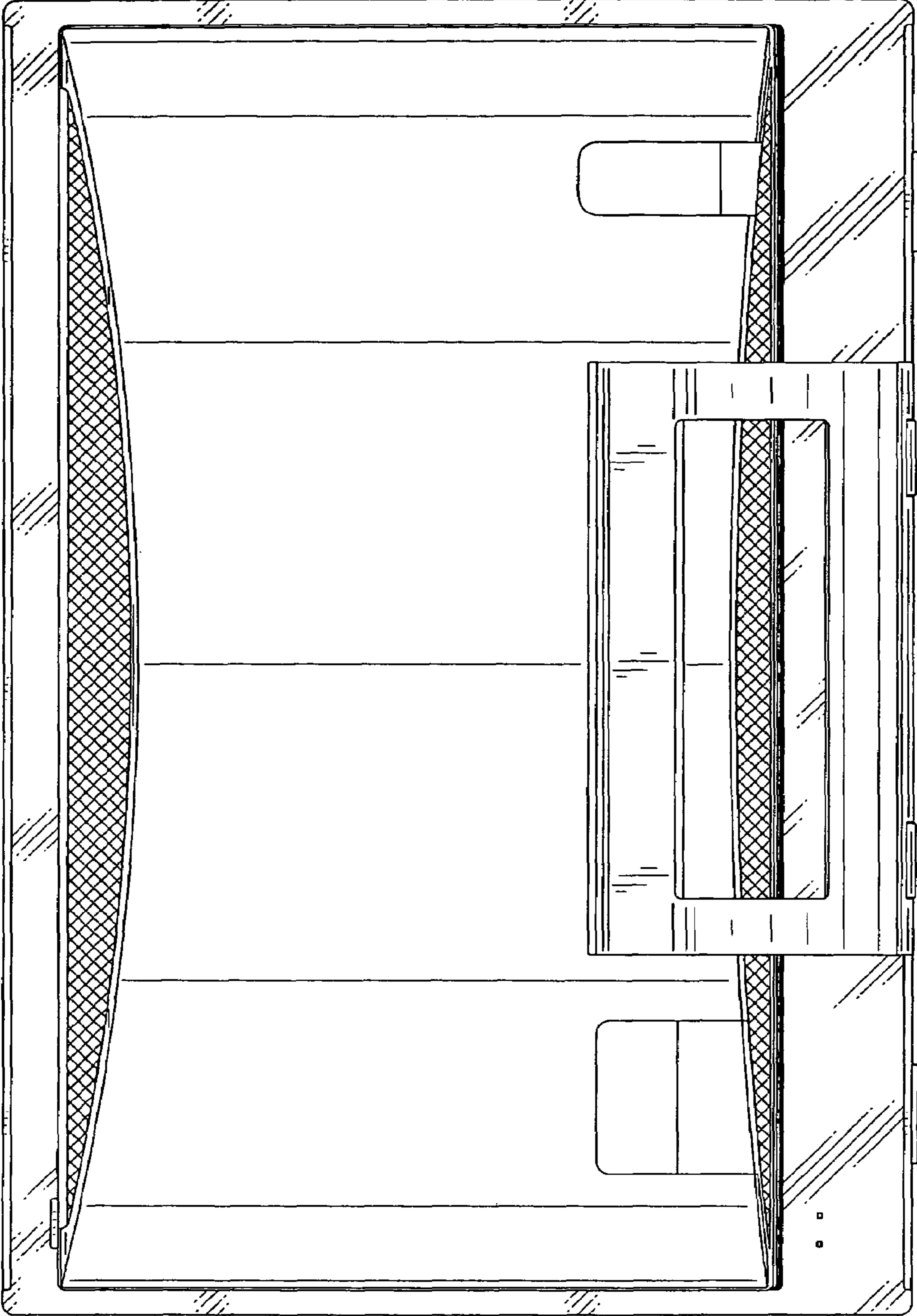


Fig. 18

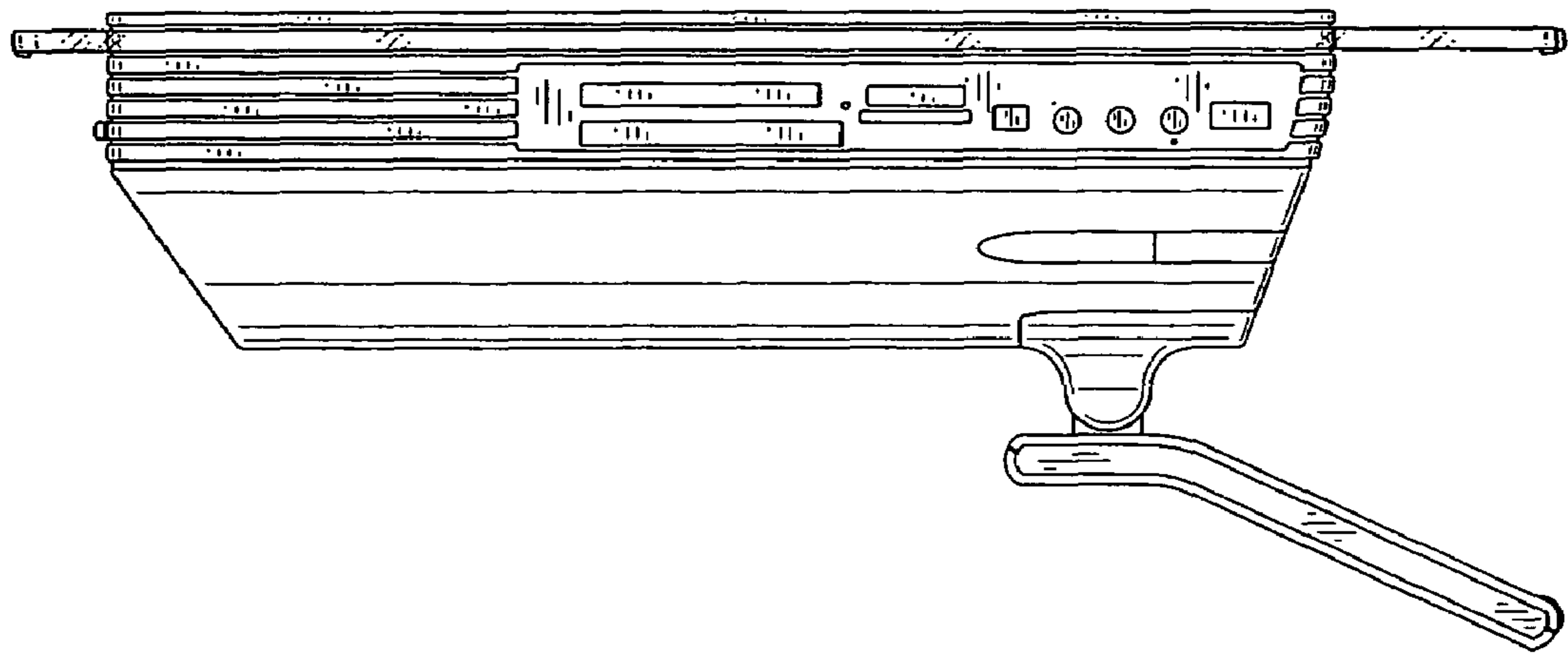


Fig.19

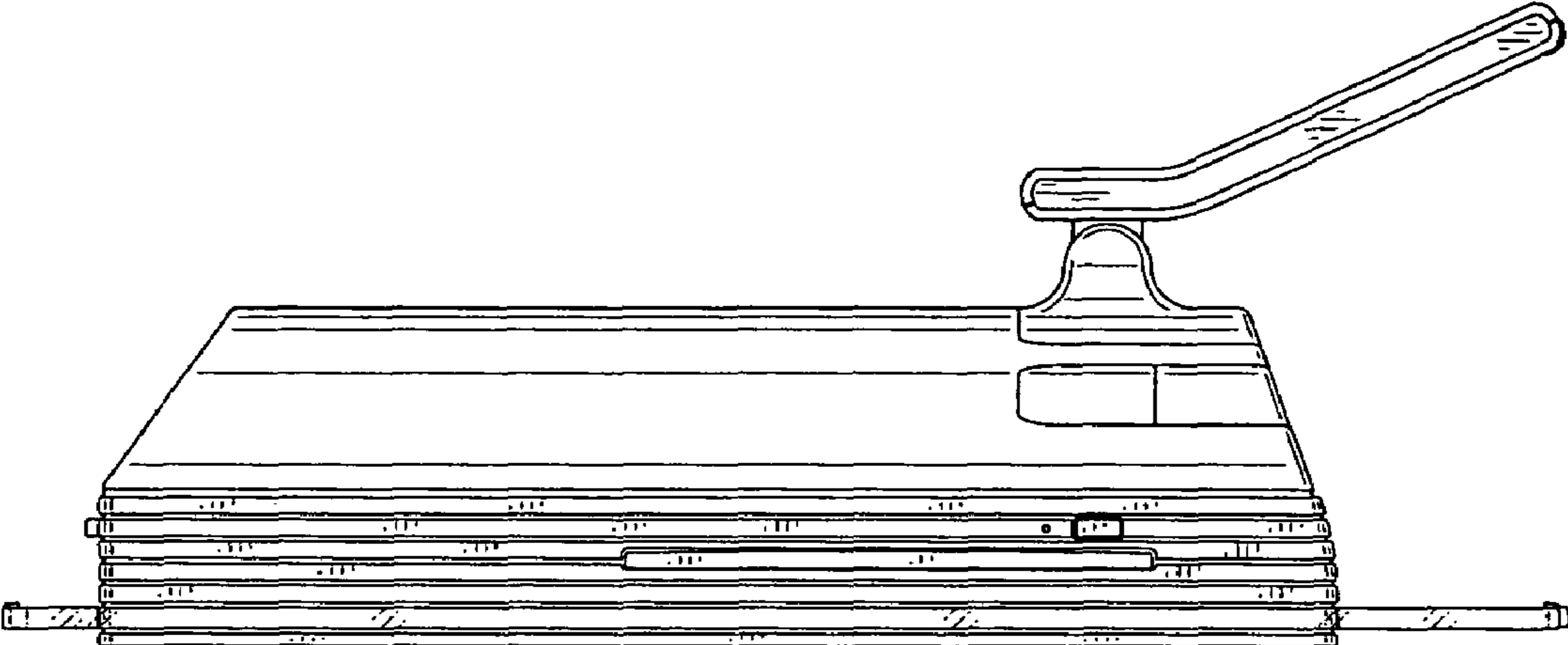


Fig. 20

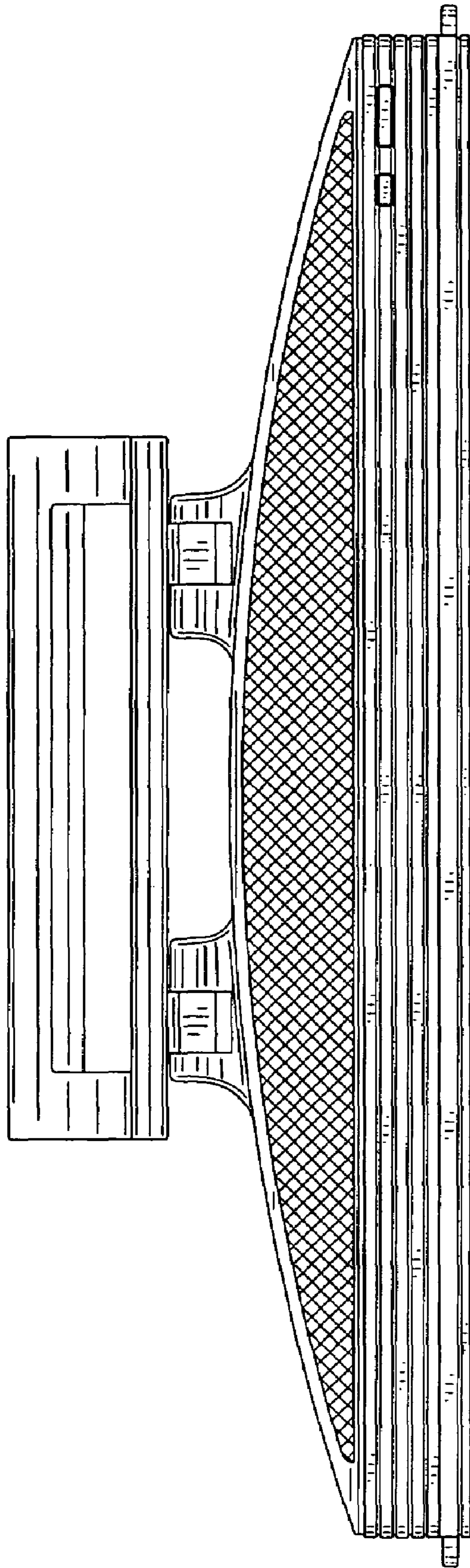


Fig. 21

