



US00D588123S

(12) **United States Design Patent**  
**Shimizu**

(10) **Patent No.:** **US D588,123 S**  
(45) **Date of Patent:** **\*\* Mar. 10, 2009**

(54) **COMPUTER**

(75) Inventor: **Yosuke Shimizu**, Tokyo (JP)

(73) Assignee: **Sony Corporation**, Tokyo (JP)

(\*\*) Term: **14 Years**

(21) Appl. No.: **29/267,264**

(22) Filed: **Oct. 11, 2006**

(30) **Foreign Application Priority Data**

Apr. 11, 2006 (JP) ..... D2006-009372  
Apr. 11, 2006 (JP) ..... D2006-009376

(51) **LOC (9) Cl.** ..... **14-02**

(52) **U.S. Cl.** ..... **D14/336; D14/371**

(58) **Field of Classification Search** ..... D14/328,  
D14/331, 336-33, 343, 371-376, 125-129;  
248/917-924; 341/12; 345/1.1, 104, 156,  
345/157, 168, 173; 348/180, 184, 352, 739;  
349/1, 2, 11, 62; 361/680-686

See application file for complete search history.

(56) **References Cited**

**U.S. PATENT DOCUMENTS**

D294,578 S \* 3/1988 Yubisui ..... D14/328  
D298,537 S \* 11/1988 Walters et al. .... D14/328  
D319,222 S \* 8/1991 Mizusugi et al. .... D14/331  
5,260,884 A \* 11/1993 Stern ..... 361/680  
D373,347 S \* 9/1996 Ashley et al. .... D14/343  
D378,083 S \* 2/1997 Ando ..... D14/336  
D380,213 S 6/1997 Morimiya  
D441,732 S 5/2001 Ota  
D454,845 S 3/2002 Niitsu  
D471,191 S \* 3/2003 Yu et al. .... D14/331  
D479,230 S \* 9/2003 Hirose et al. .... D14/337  
D488,451 S 4/2004 Niitsu

D500,034 S \* 12/2004 Johnson ..... D14/336  
D508,914 S \* 8/2005 Ishii ..... D14/337

\* cited by examiner

*Primary Examiner*—Freda S Nunn

(74) *Attorney, Agent, or Firm*—Rader, Fishman & Grauer, PLLC

(57) **CLAIM**

The ornamental design for a computer, as shown and described.

**DESCRIPTION**

FIG. 1 is a perspective view of an embodiment of a computer showing my new design;

FIG. 2 is a front elevational view thereof;

FIG. 3 is a rear elevational view thereof;

FIG. 4 is a left side elevational view thereof;

FIG. 5 is a right side elevational view thereof;

FIG. 6 is a bottom plan view thereof;

FIG. 7 is a left side elevational view thereof, wherein a supporting portion is in the open position;

FIG. 8 is a perspective view of another embodiment of a computer showing my new design;

FIG. 9 is a front elevational view thereof;

FIG. 10 is a rear elevational view thereof;

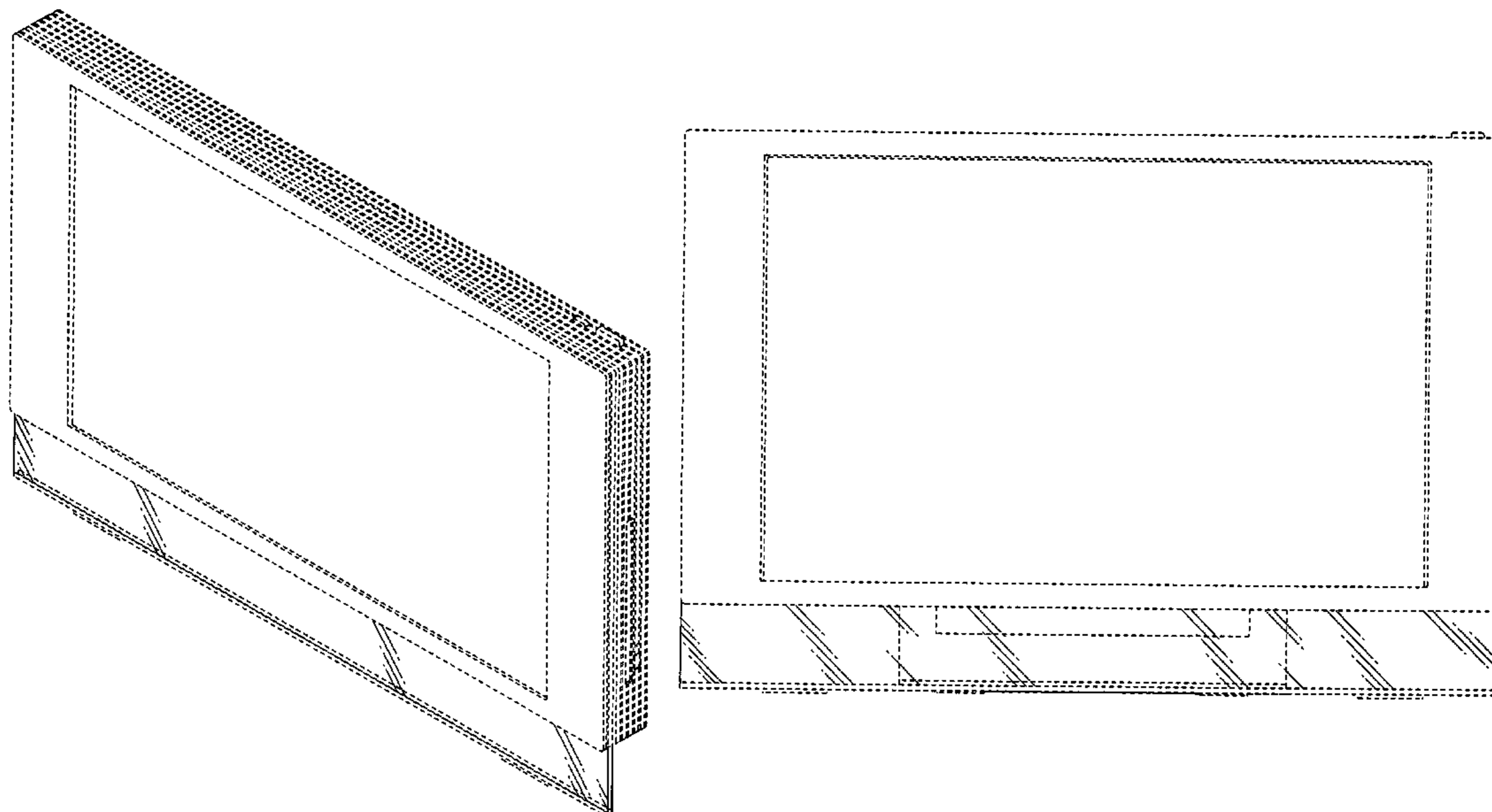
FIG. 11 is a left side elevational view thereof;

FIG. 12 is a right side elevational view thereof; and,

FIG. 13 is a bottom plan view thereof.

The elements illustrated in broken lines in the drawing figures are considered environmental only and do not form a part of the claimed design.

**1 Claim, 13 Drawing Sheets**



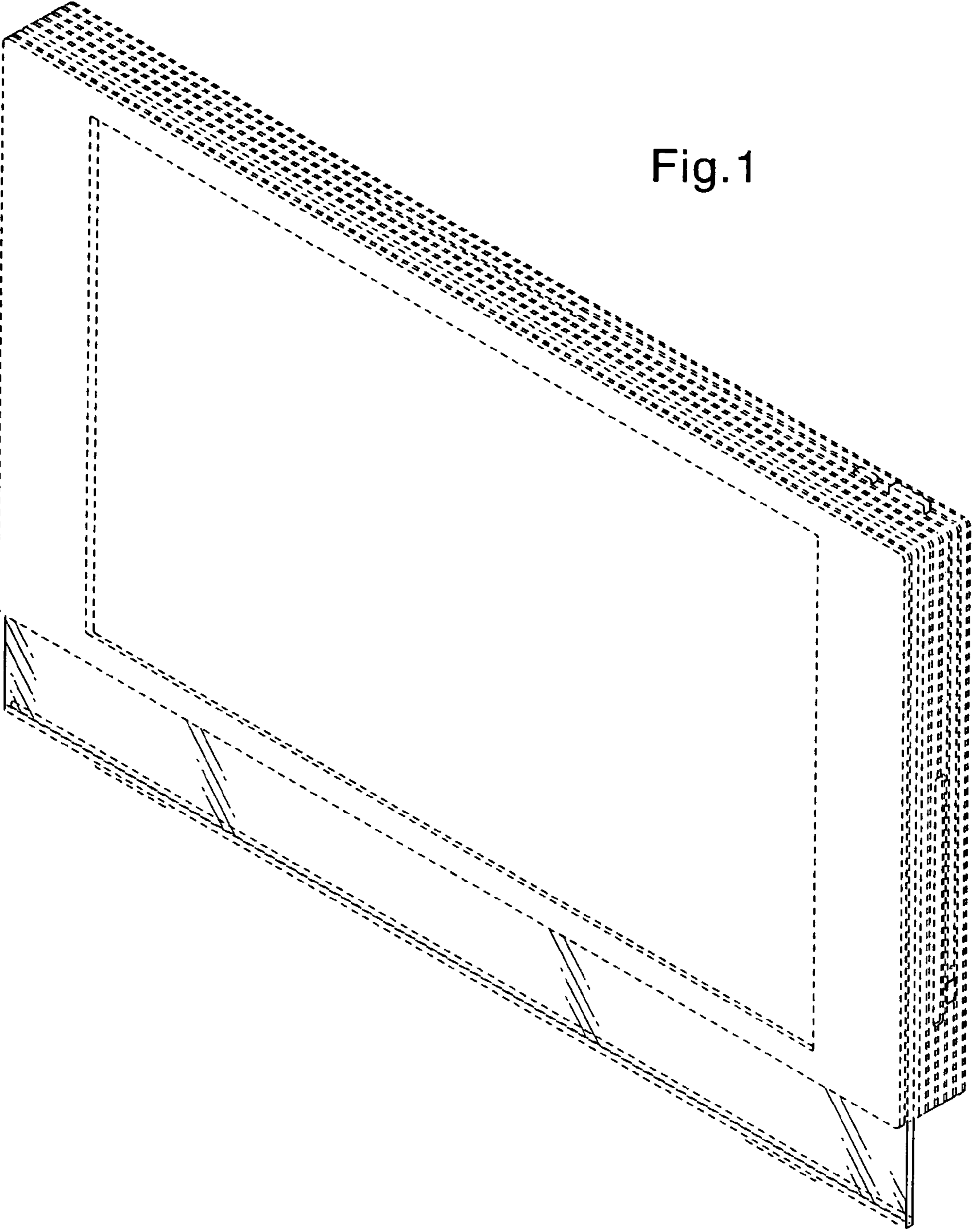


Fig. 1

Fig.2

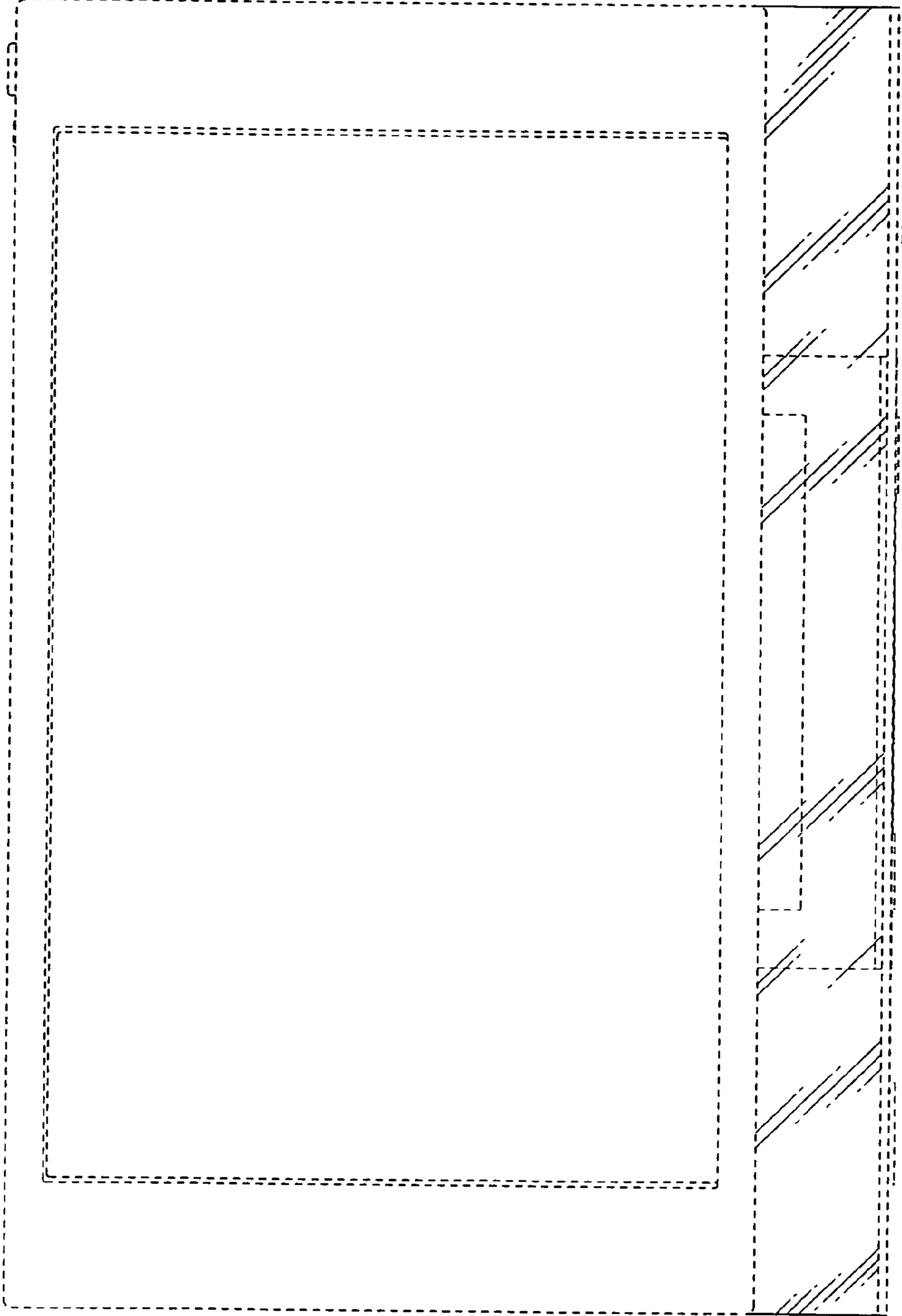


Fig.3

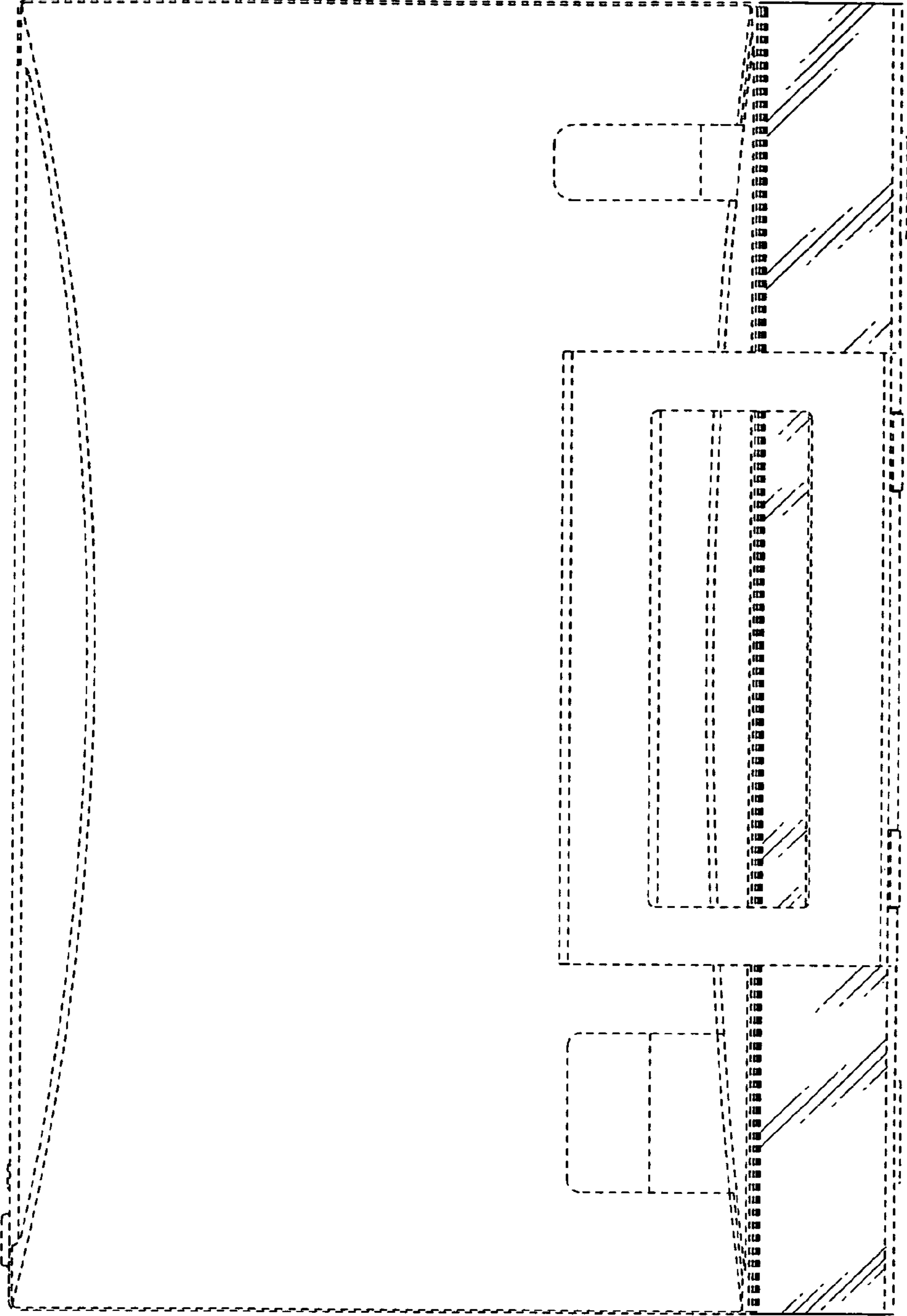


Fig. 4

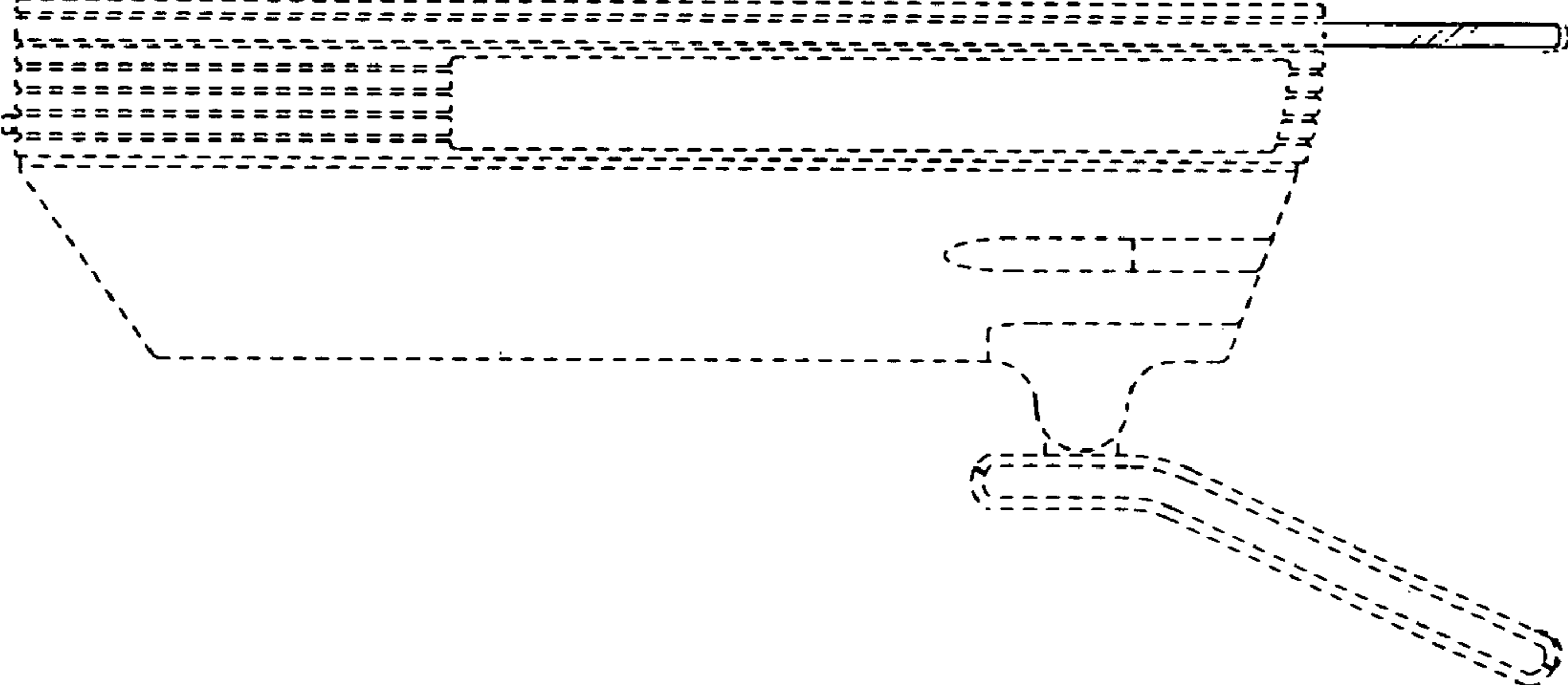


Fig.5

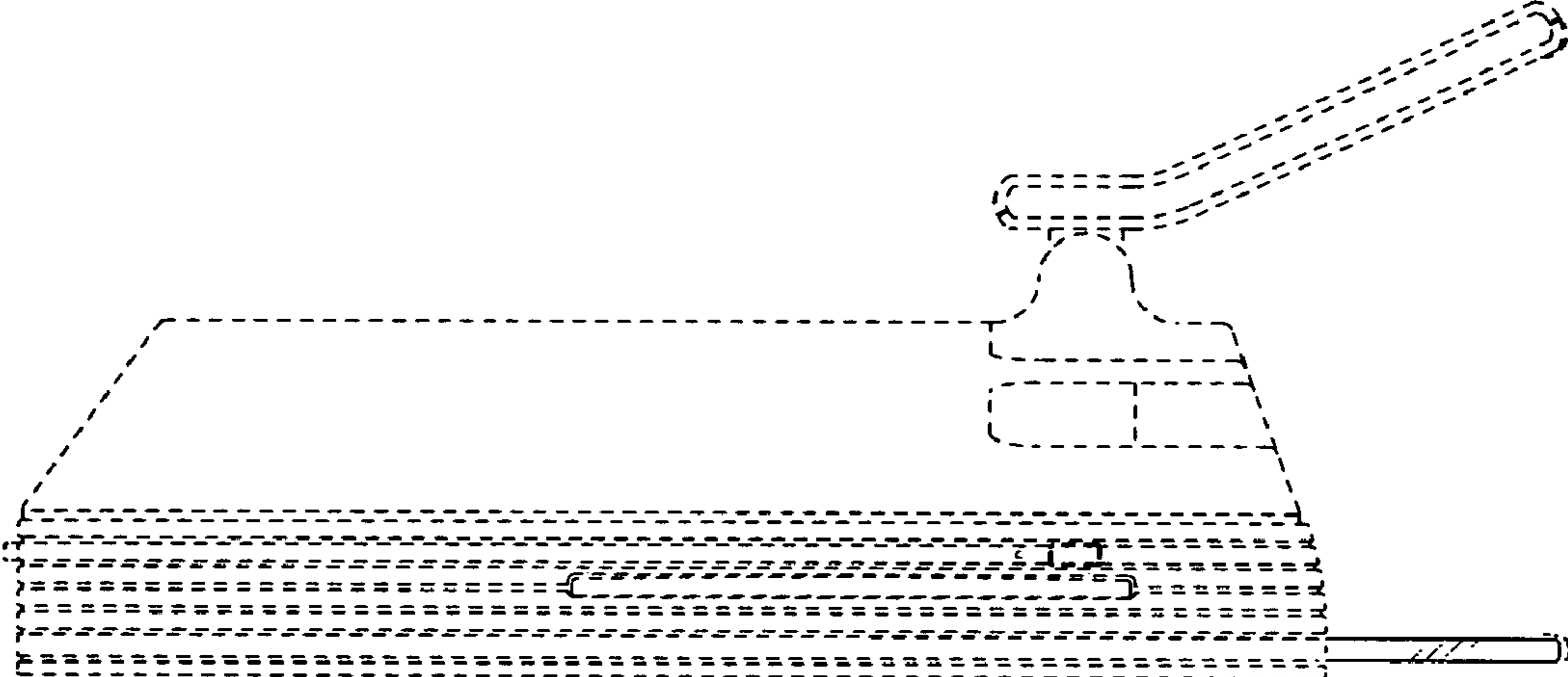


Fig. 6

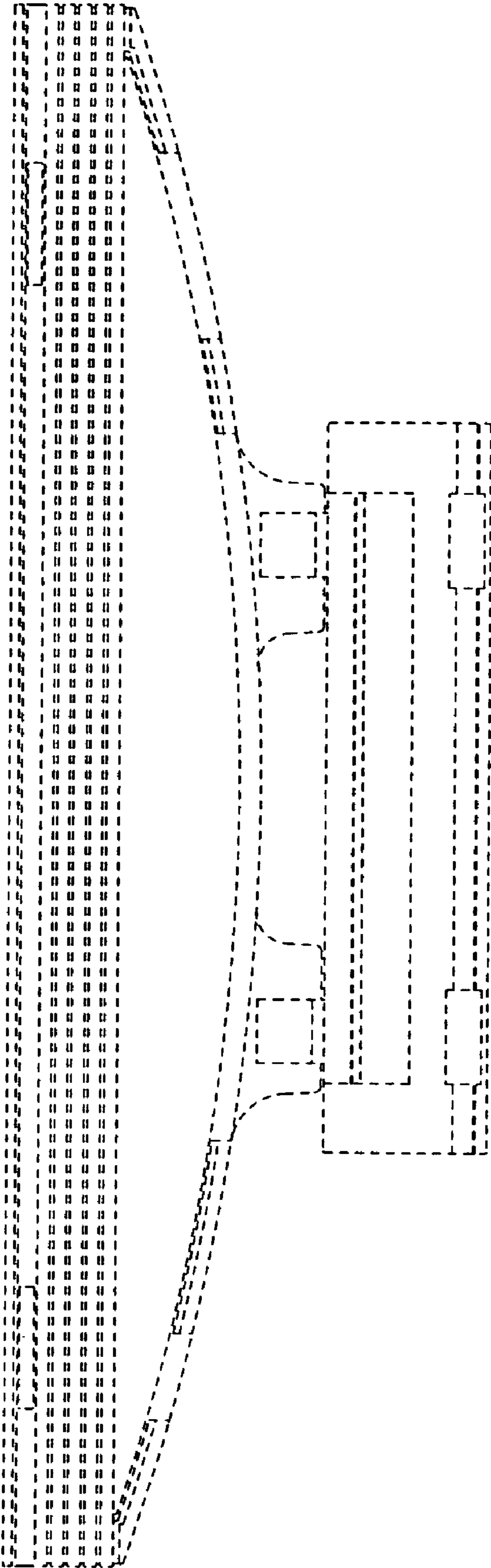
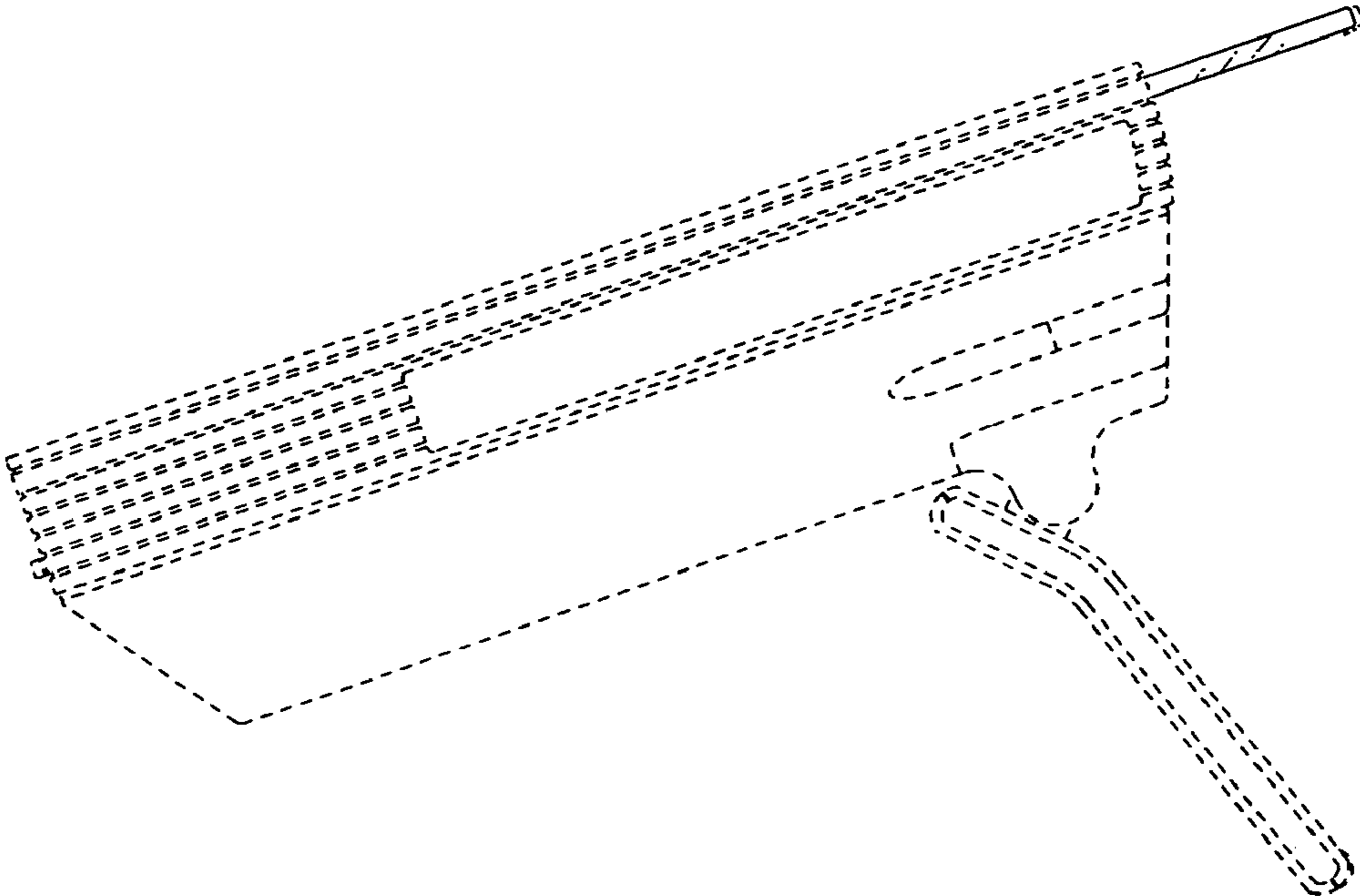


Fig.7





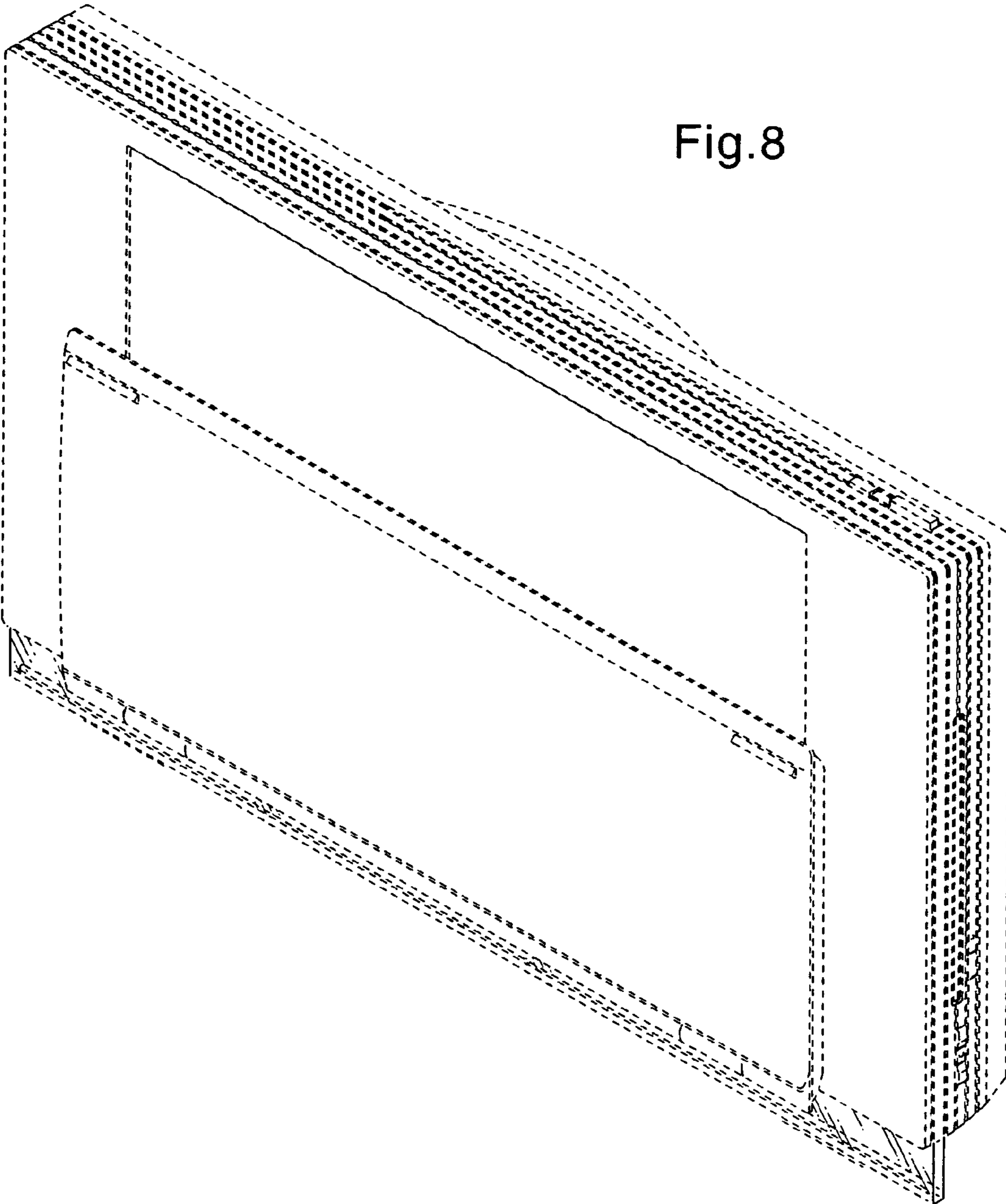


Fig. 8

Fig.9

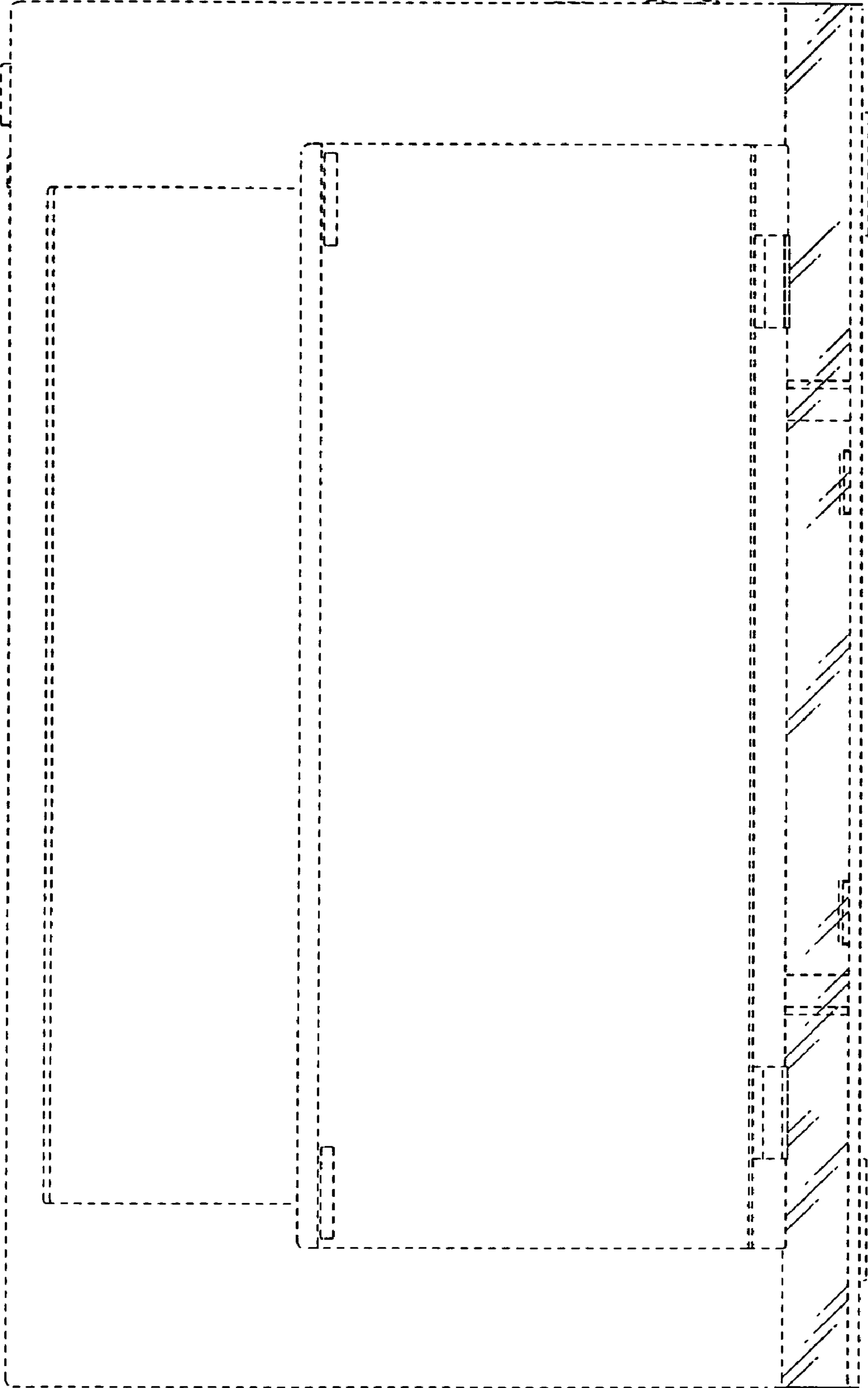


Fig.10

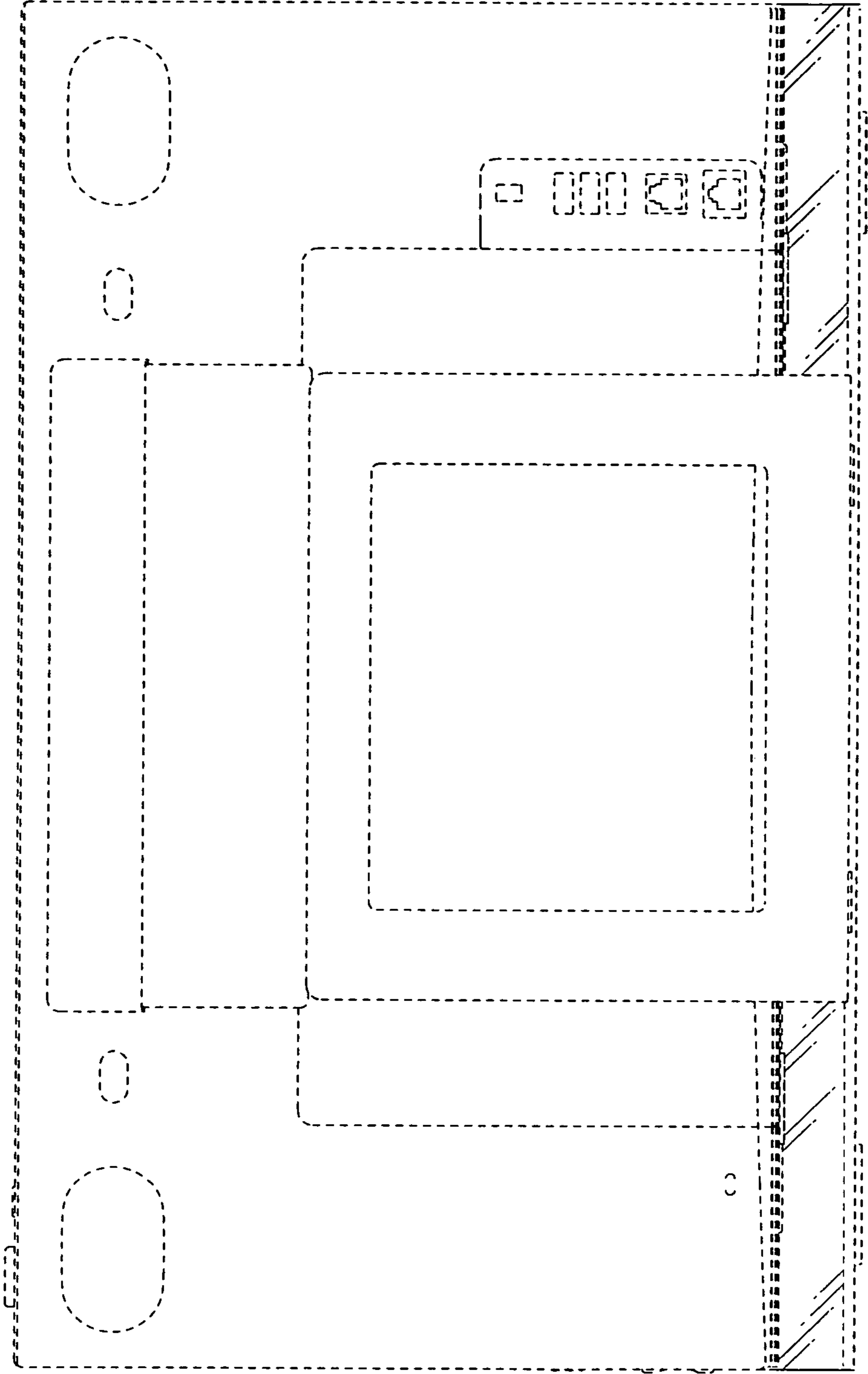


Fig. 11

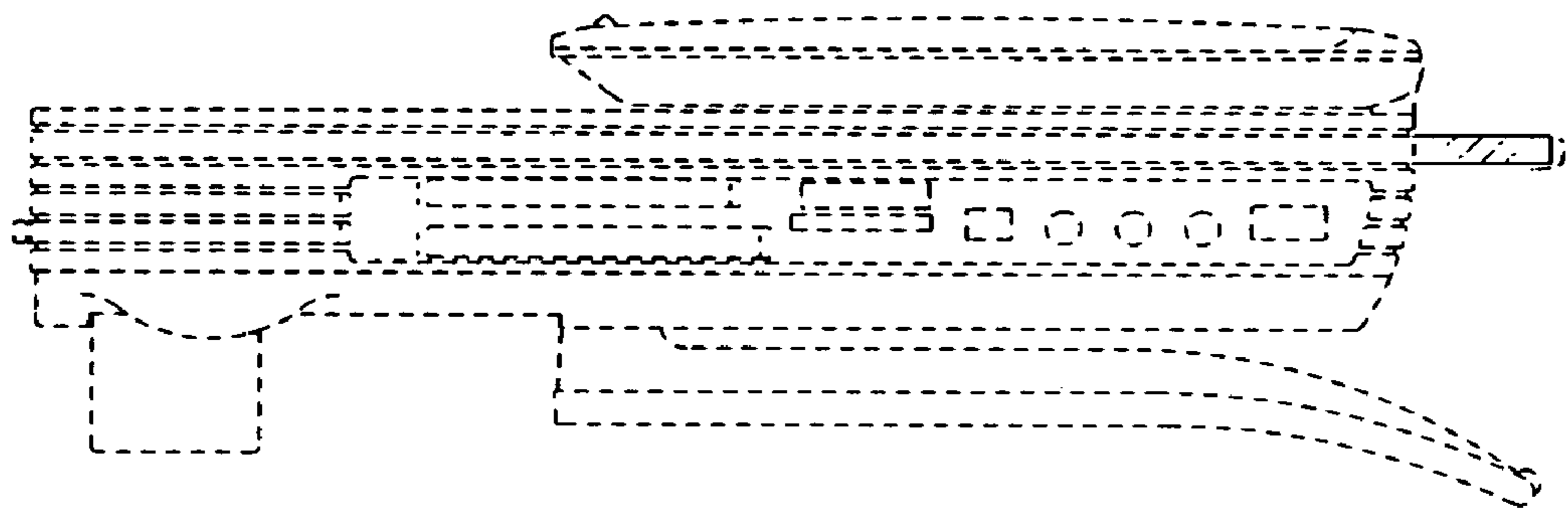


Fig.12

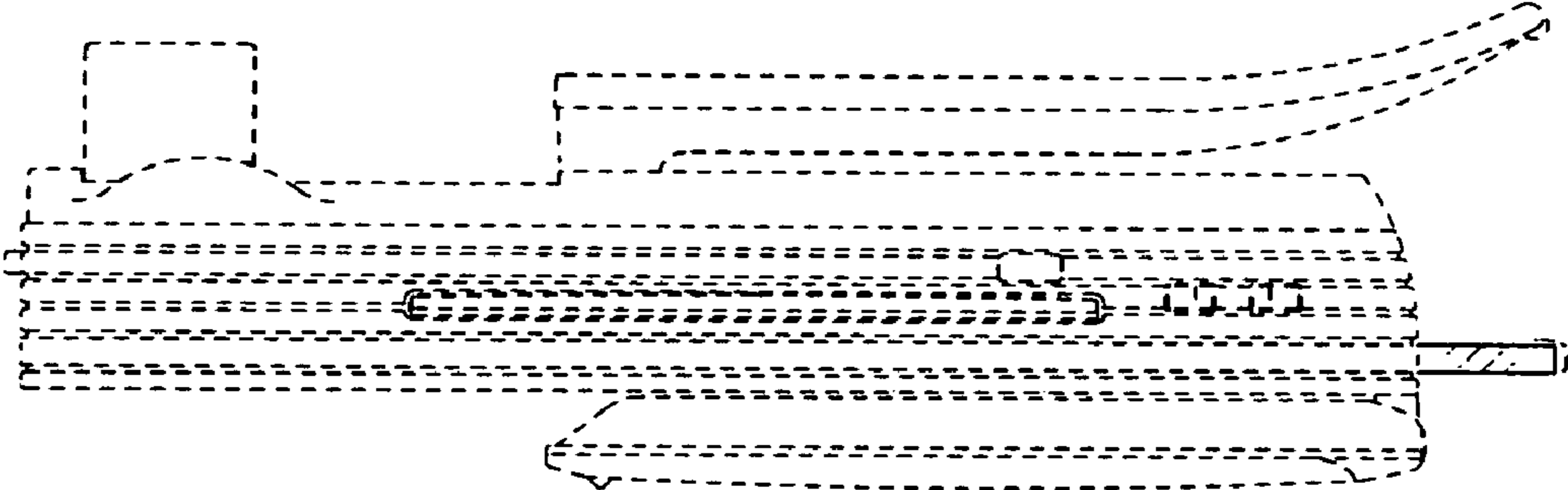


Fig. 13

