

US00D588122S

(12) **United States Design Patent**  
**Shimizu**

(10) **Patent No.:** **US D588,122 S**  
(45) **Date of Patent:** **\*\* Mar. 10, 2009**

(54) **COMBINED COMPUTER AND KEYBOARD**

(75) Inventor: **Yosuke Shimizu**, Tokyo (JP)

(73) Assignee: **Sony Corporation**, Tokyo (JP)

(\*\*) Term: **14 Years**

(21) Appl. No.: **29/267,256**

(22) Filed: **Oct. 11, 2006**

(30) **Foreign Application Priority Data**

Apr. 11, 2006	(JP)	.....	D2006-009402
Apr. 11, 2006	(JP)	.....	D2006-009403
Apr. 11, 2006	(JP)	.....	D2006-009404
Apr. 11, 2006	(JP)	.....	D2006-009405
Apr. 11, 2006	(JP)	.....	D2006-009406
Apr. 11, 2006	(JP)	.....	D2006-009407

(51) **LOC (9) Cl.** ..... **14-02**

(52) **U.S. Cl.** ..... **D14/331; D14/336**

(58) **Field of Classification Search** ..... D14/328,  
D14/331, 336-33, 343, 371-376, 125-129;  
248/917-924; 341/12; 345/1.1, 104, 156,  
345/157, 168, 173; 348/180, 184, 352, 739;  
349/1, 2, 11, 62; 361/680-686

See application file for complete search history.

(56) **References Cited**

**U.S. PATENT DOCUMENTS**

D294,578 S \* 3/1988 Yubisui ..... D14/328

(Continued)

**FOREIGN PATENT DOCUMENTS**

JP	D1115743 S	7/2001
JP	D1135695 S	3/2002
JP	D1157139 S	11/2002
JP	D1157140 S	11/2002
JP	D1157578 S	11/2002
JP	D1185010 S	9/2003
JP	D1185247 S	9/2003
JP	D1235107 S	4/2005
JP	D1246659 S	8/2005

*Primary Examiner*—Freda S Nunn

(74) *Attorney, Agent, or Firm*—Rader, Fishman & Grauer, PLLC

(57) **CLAIM**

The ornamental design for a combined computer and keyboard, as shown and described.

**DESCRIPTION**

FIG. 1 is a perspective view of an embodiment of a combined computer and keyboard showing my new design;

FIG. 2 is a front elevational view thereof;

FIG. 3 is a rear elevational view thereof;

FIG. 4 is a left side elevational view thereof;

FIG. 5 is a right side elevational view thereof;

FIG. 6 is a top plan view thereof;

FIG. 7 is a bottom plan view thereof;

FIG. 8 is a perspective view of another embodiment of a combined computer and keyboard showing my new design;

FIG. 9 is a front elevational view thereof;

FIG. 10 is a rear elevational view thereof;

FIG. 11 is a left side elevational view thereof;

FIG. 12 is a right side elevational view thereof;

FIG. 13 is a top plan view thereof;

FIG. 14 is a bottom plan view thereof;

FIG. 15 is a perspective view of still another embodiment of a combined computer and keyboard showing my new design;

FIG. 16 is a front elevational view thereof;

FIG. 17 is a rear elevational view thereof;

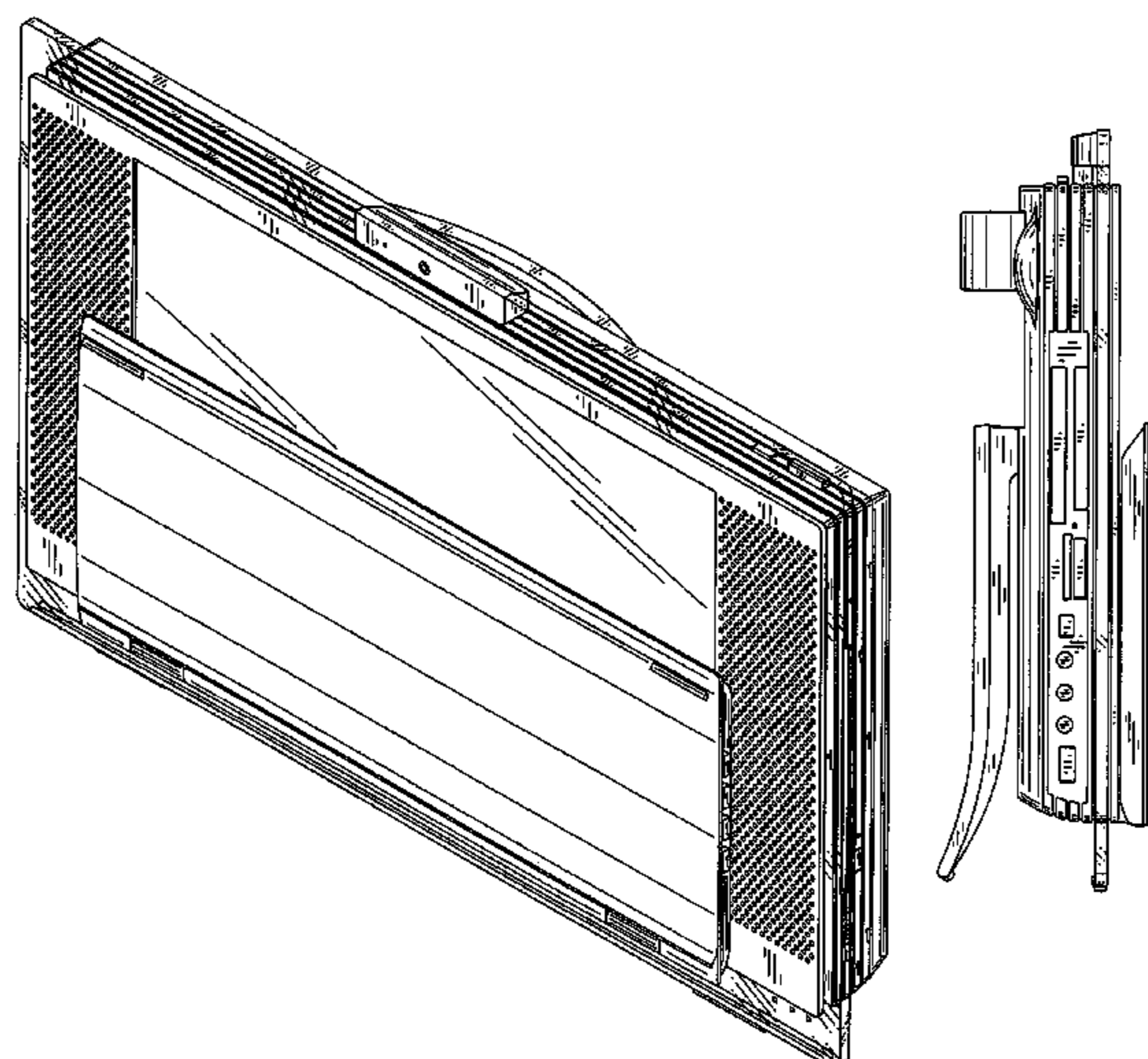
FIG. 18 is a left side elevational view thereof;

FIG. 19 is a right side elevational view thereof;

FIG. 20 is a top plan view thereof; and,

FIG. 21 is a bottom plan view thereof.

**1 Claim, 21 Drawing Sheets**



# US D588,122 S

Page 2

---

## U.S. PATENT DOCUMENTS

D298,537 S *	11/1988	Walters et al. ....	D14/328	D471,191 S *	3/2003	Yu et al. ....	D14/331
D319,222 S *	8/1991	Mizusugi et al. ....	D14/331	D478,583 S	8/2003	Hyogo	
5,260,884 A *	11/1993	Stern .....	361/680	D479,230 S *	9/2003	Hirose et al. ....	D14/337
D373,347 S *	9/1996	Ashley et al. ....	D14/343	D486,486 S	2/2004	Jobs et al.	
D378,083 S *	2/1997	Ando .....	D14/336	D488,451 S	4/2004	Niitsu	
D380,213 S	6/1997	Morimiya		D489,061 S	4/2004	Hyogo	
D441,732 S	5/2001	Ota		D494,165 S	8/2004	Yokota	
D454,845 S	3/2002	Niitsu		D500,034 S *	12/2004	Johnson .....	D14/336
D456,023 S	4/2002	Andre et al.		D508,914 S *	8/2005	Ishii .....	D14/337
				D515,081 S	2/2006	Yamada	

\* cited by examiner



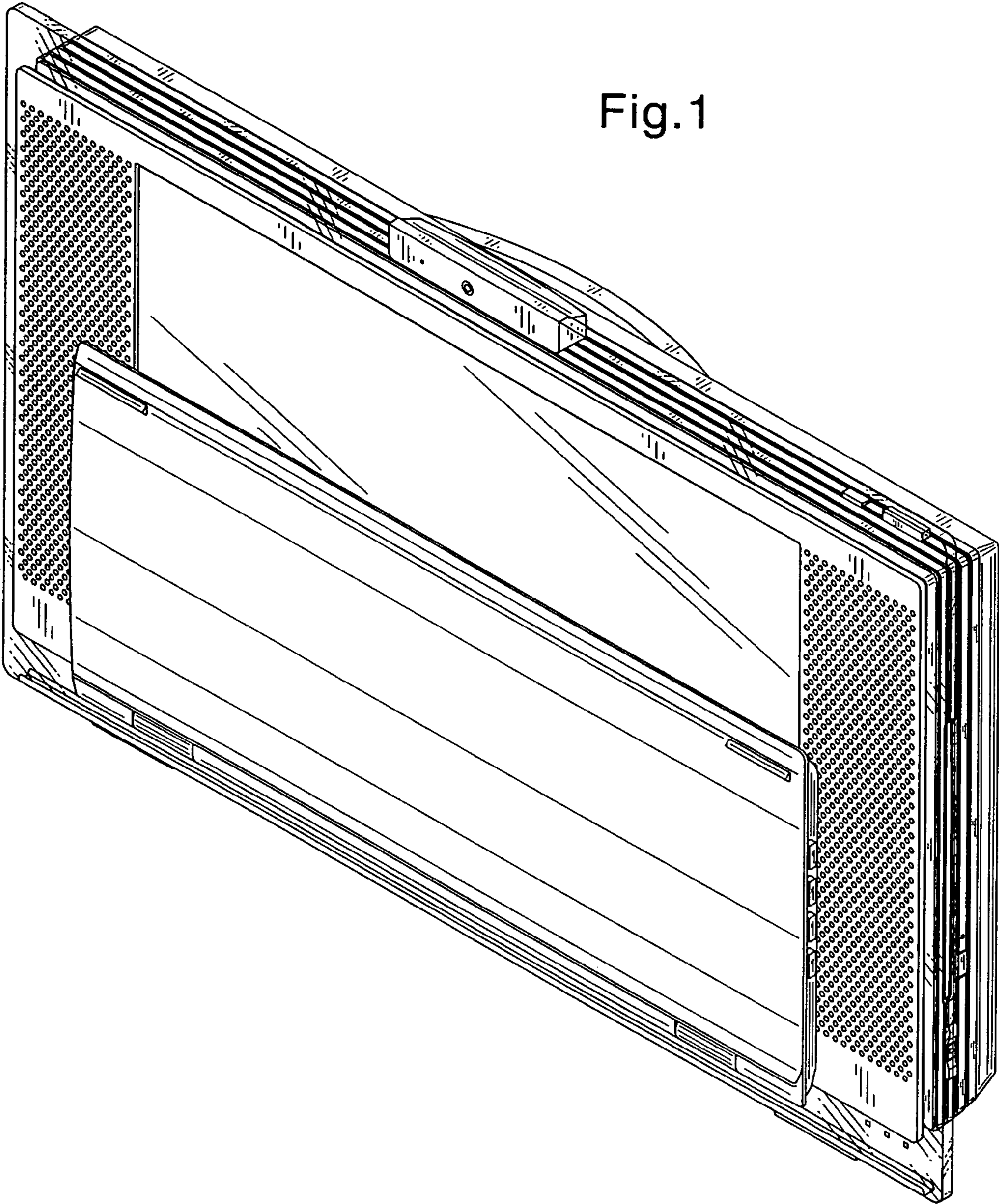


Fig. 1

Fig.2

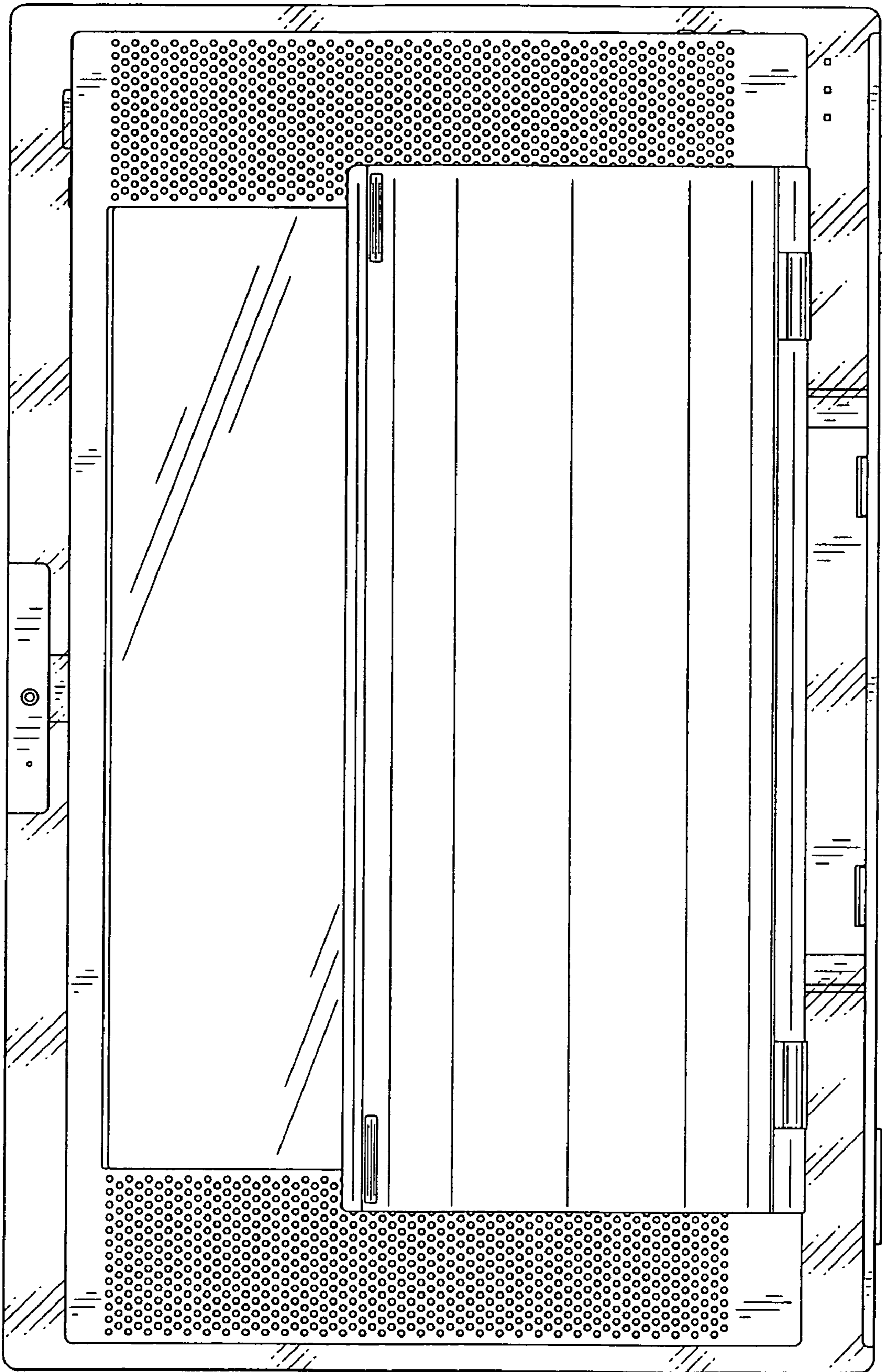


Fig.3

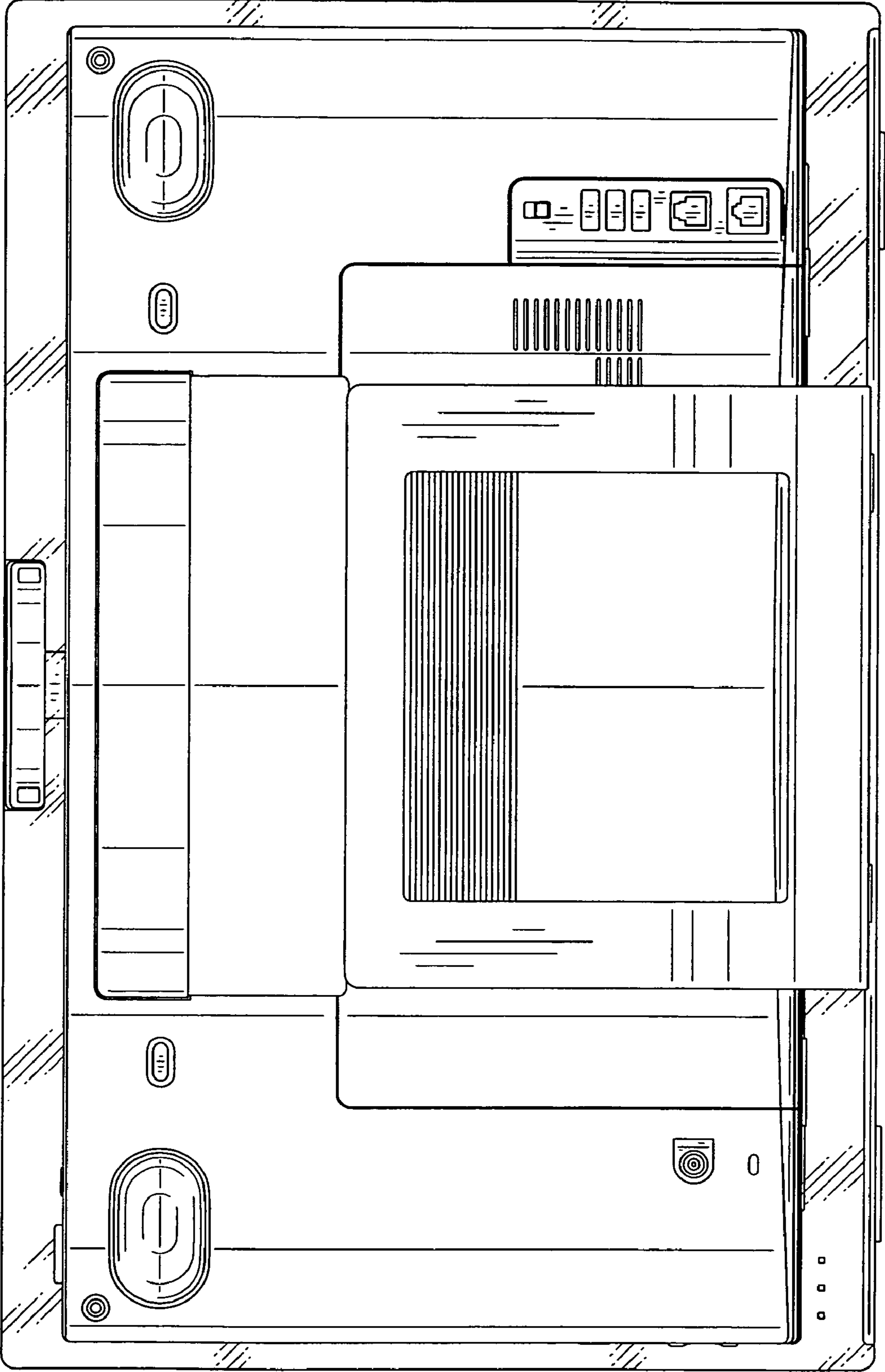


Fig. 4

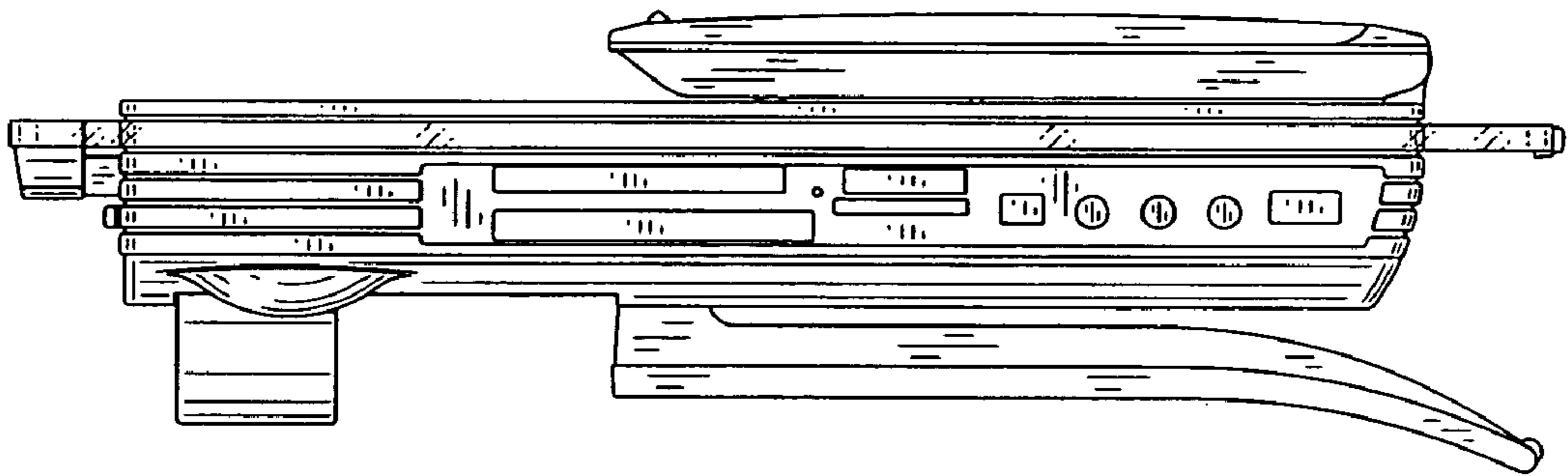




Fig. 5

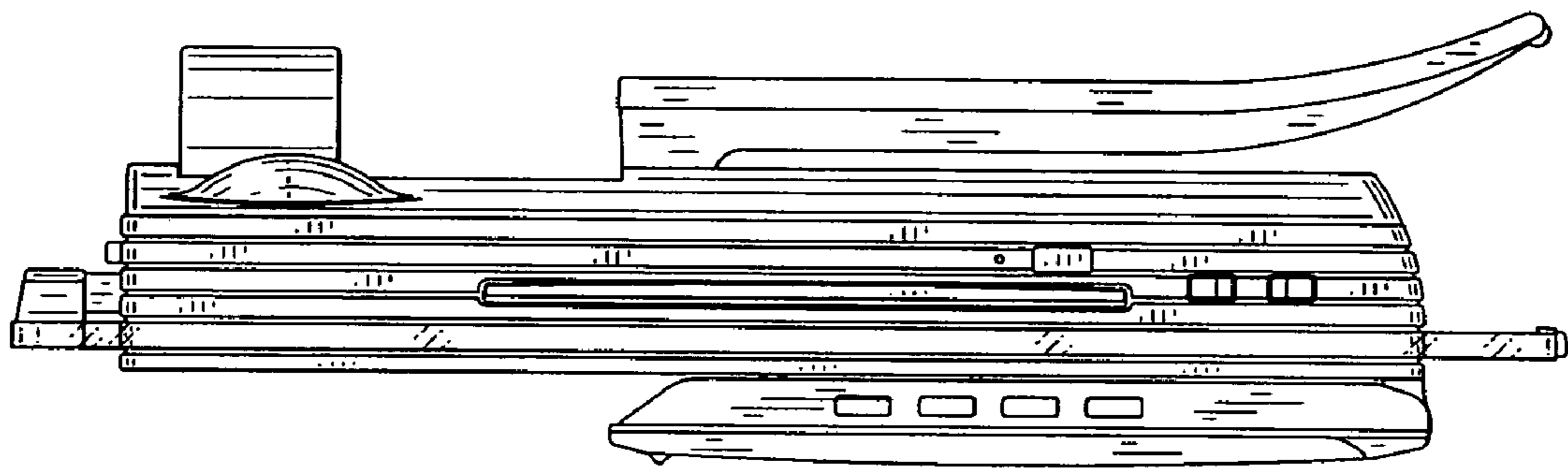


Fig. 6

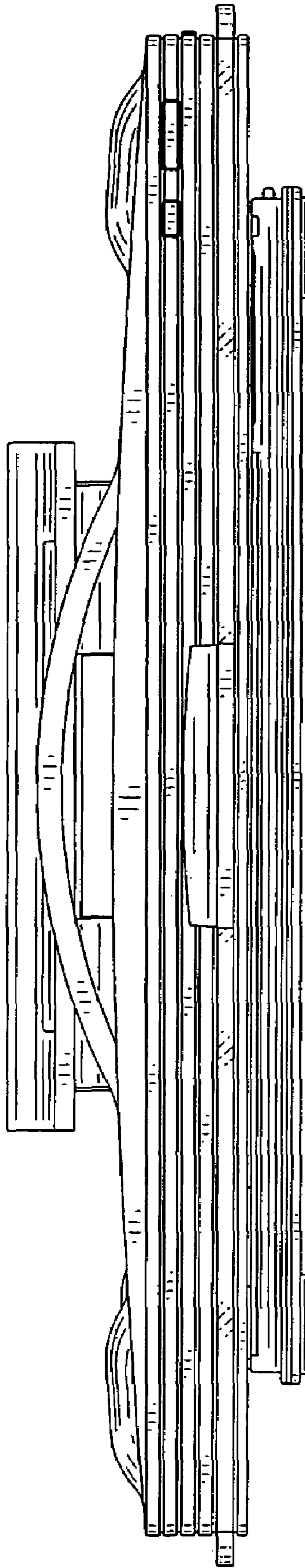
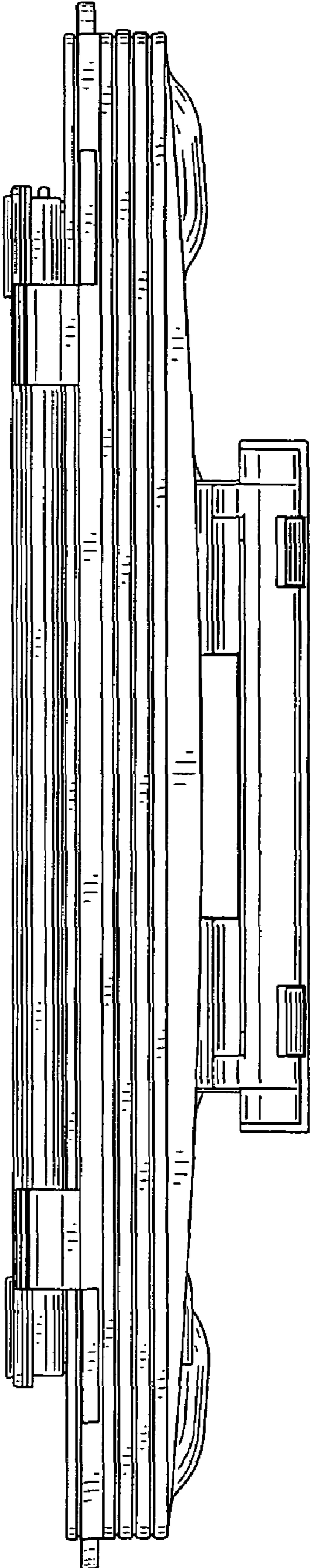




Fig. 7



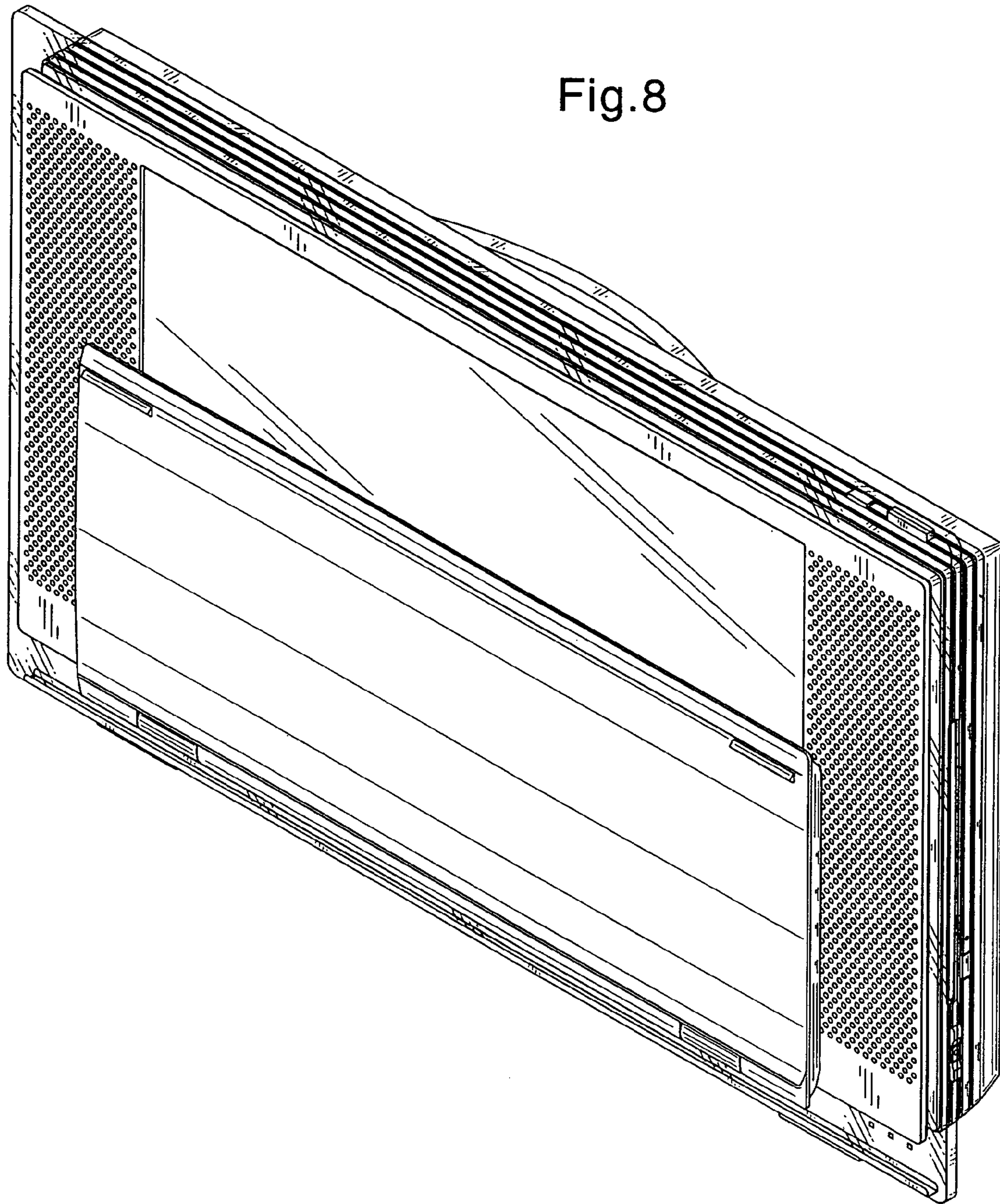


Fig. 8

Fig.9

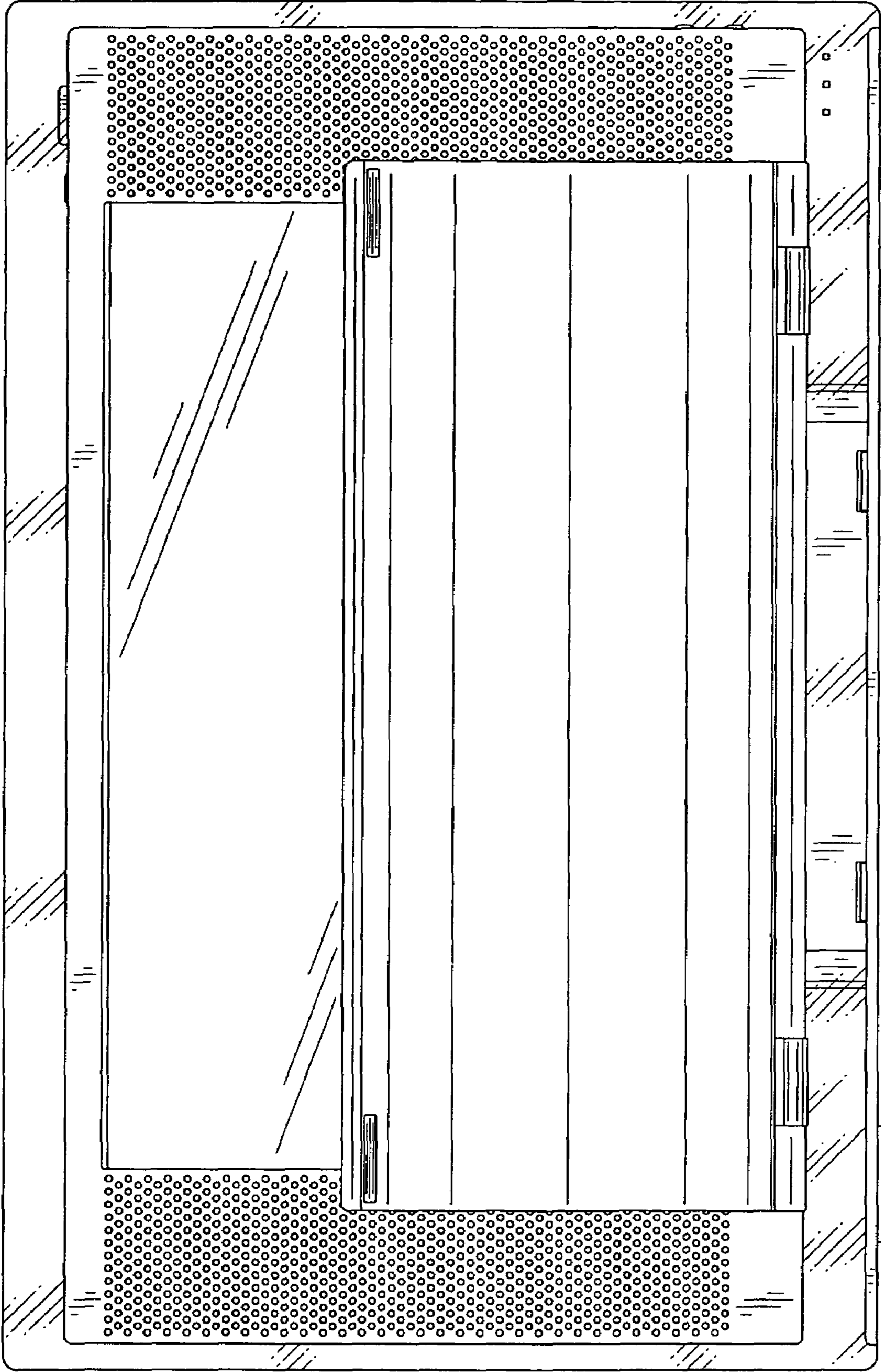




Fig. 10

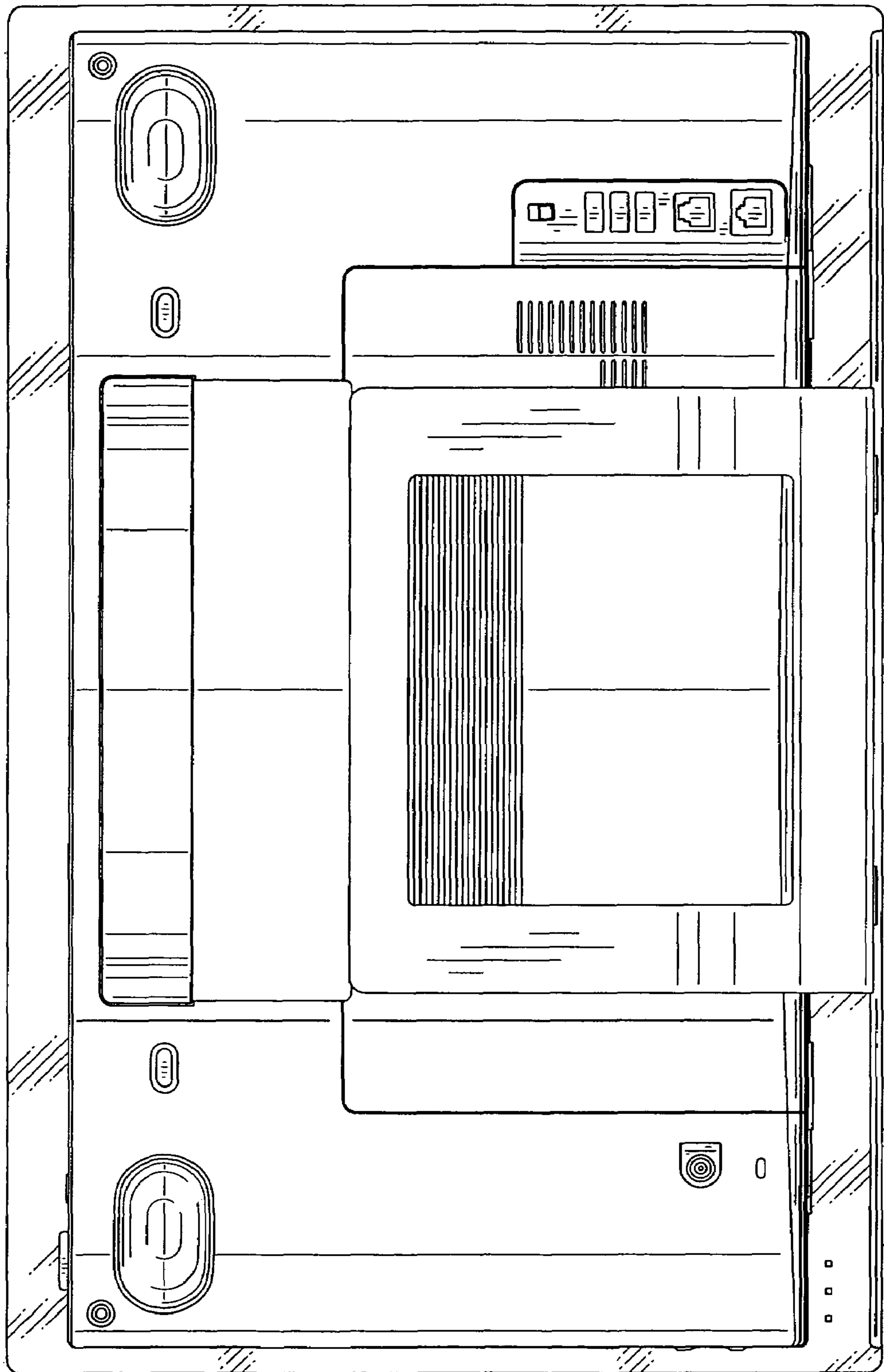




Fig. 11

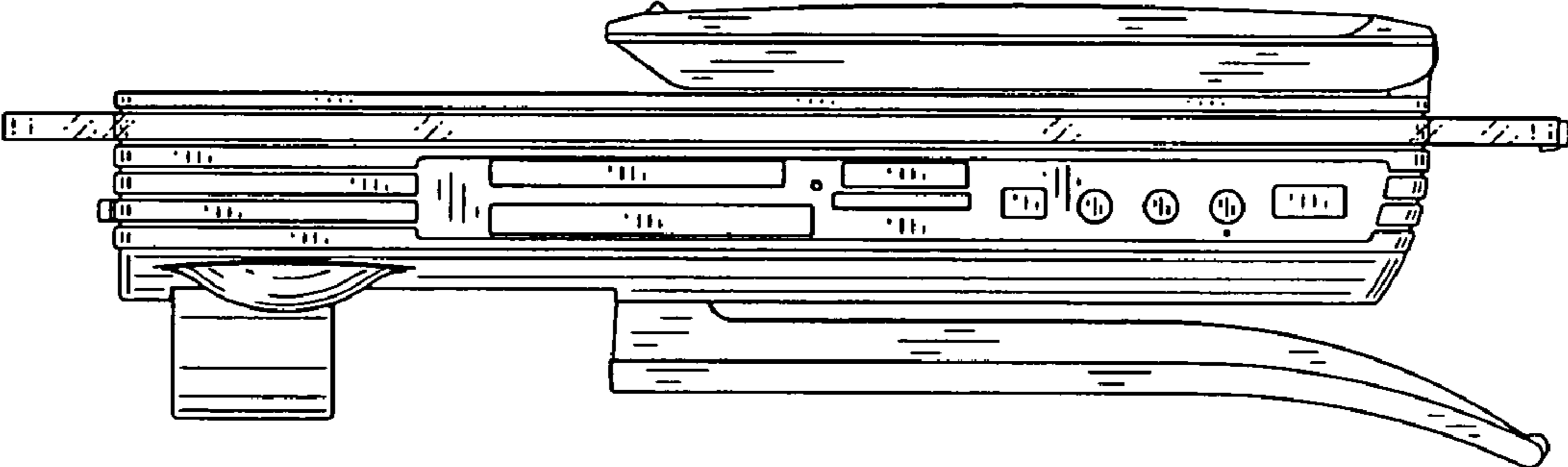


Fig. 12

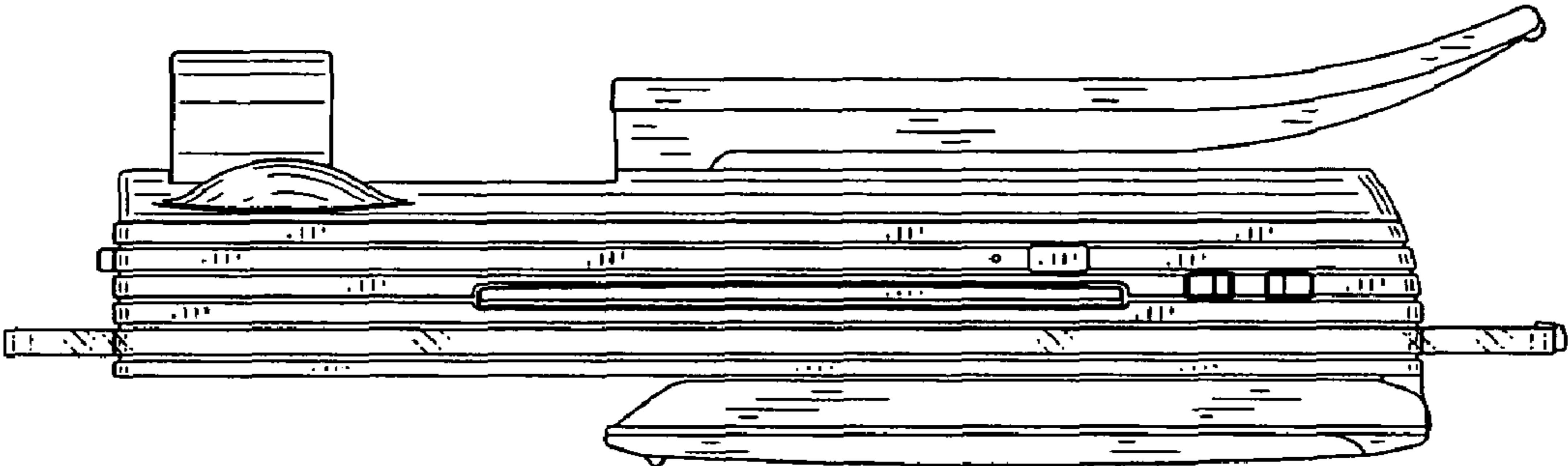


Fig. 13

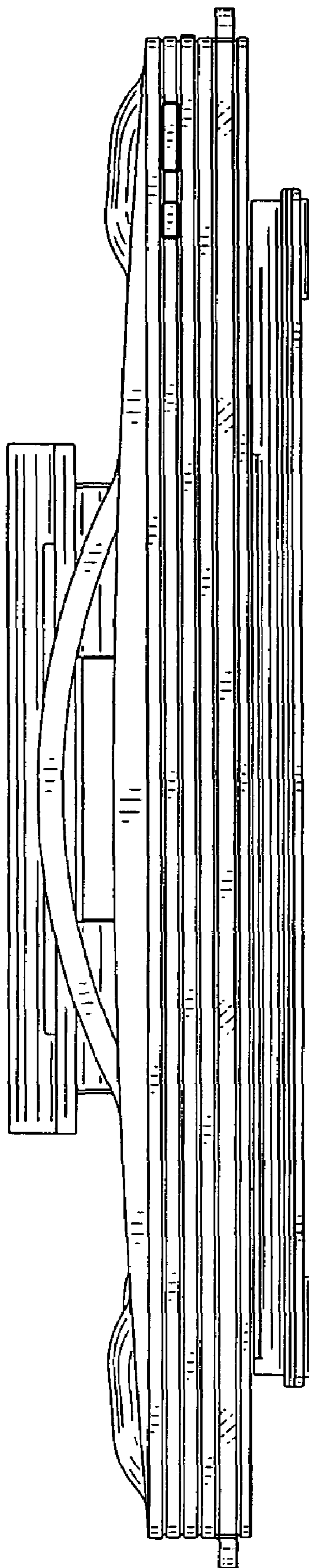
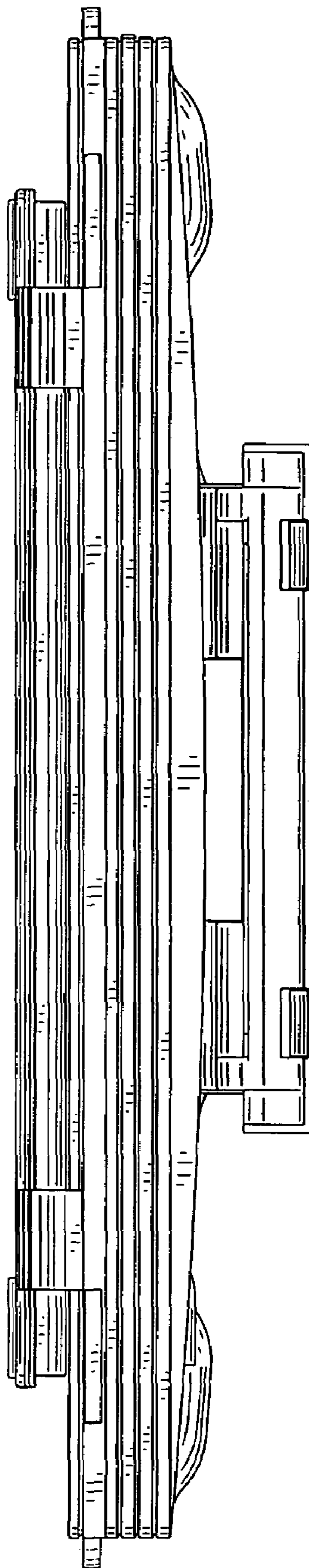


Fig.14





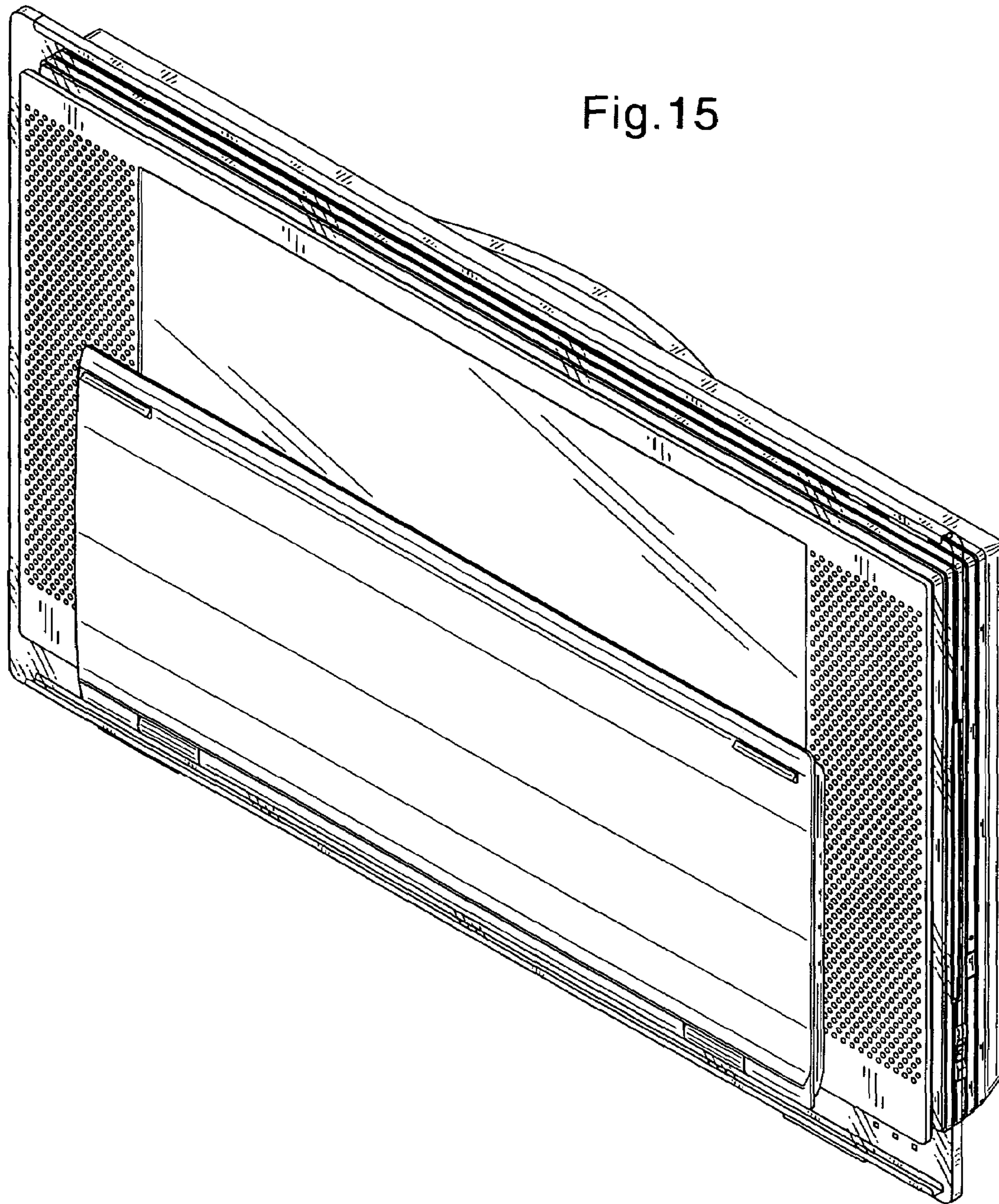


Fig.15

Fig.16

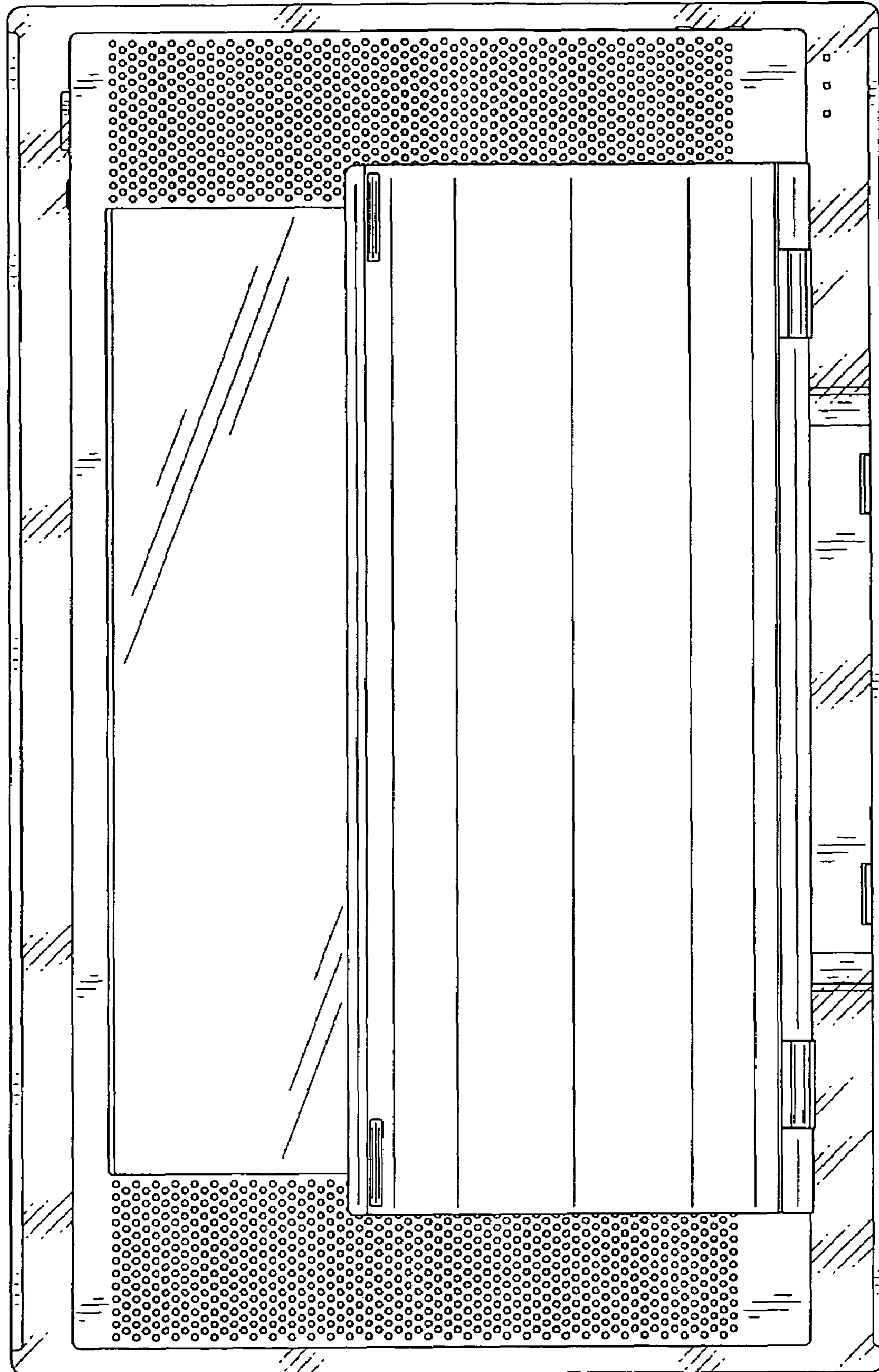


Fig.17

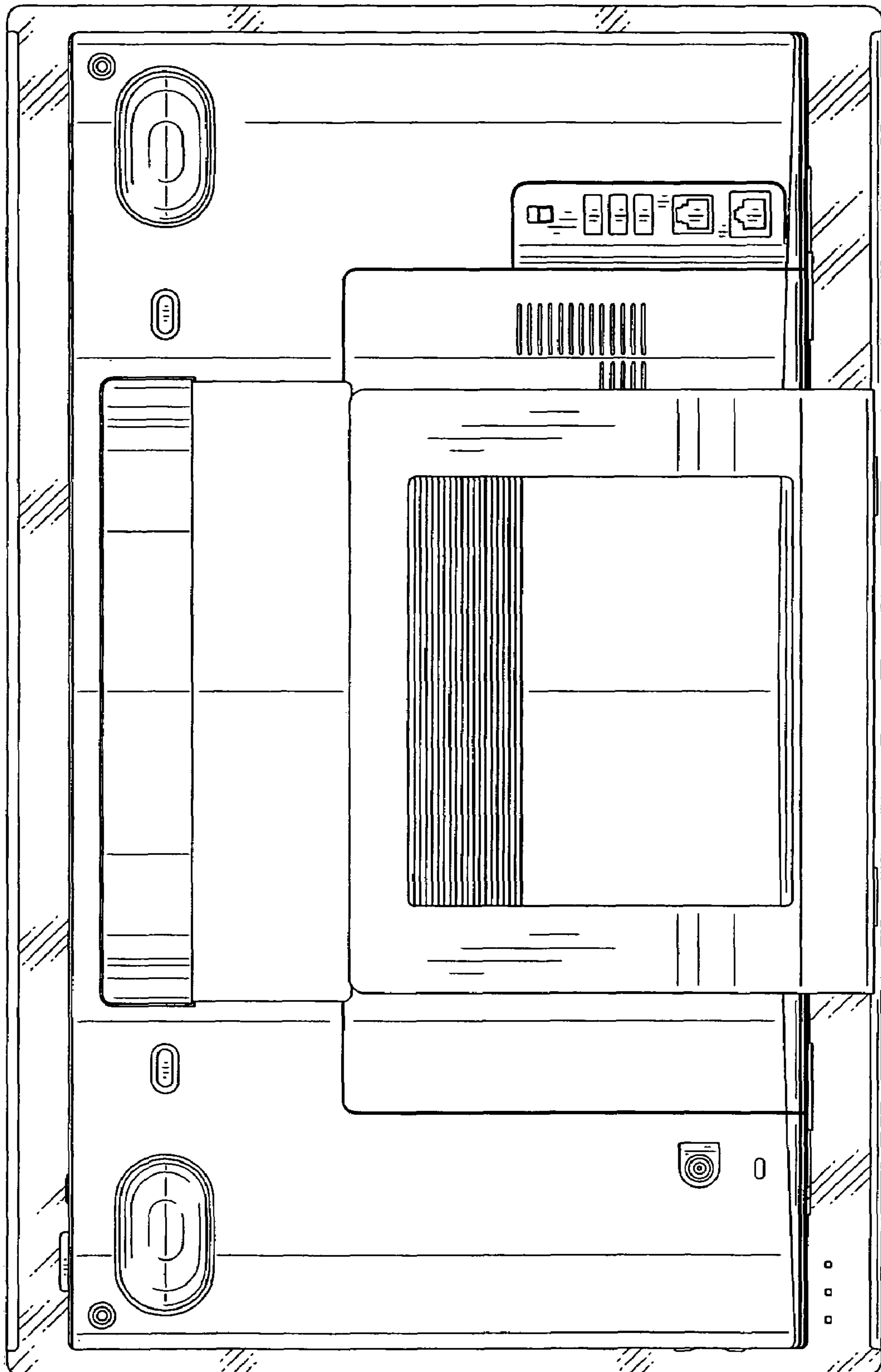


Fig. 18

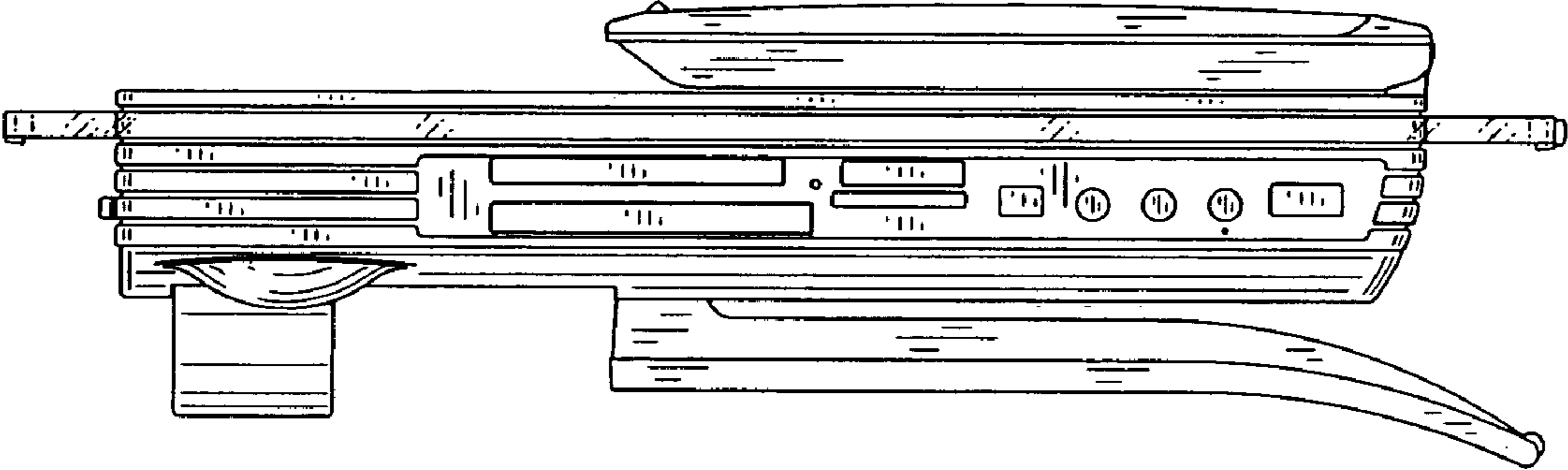




Fig.19

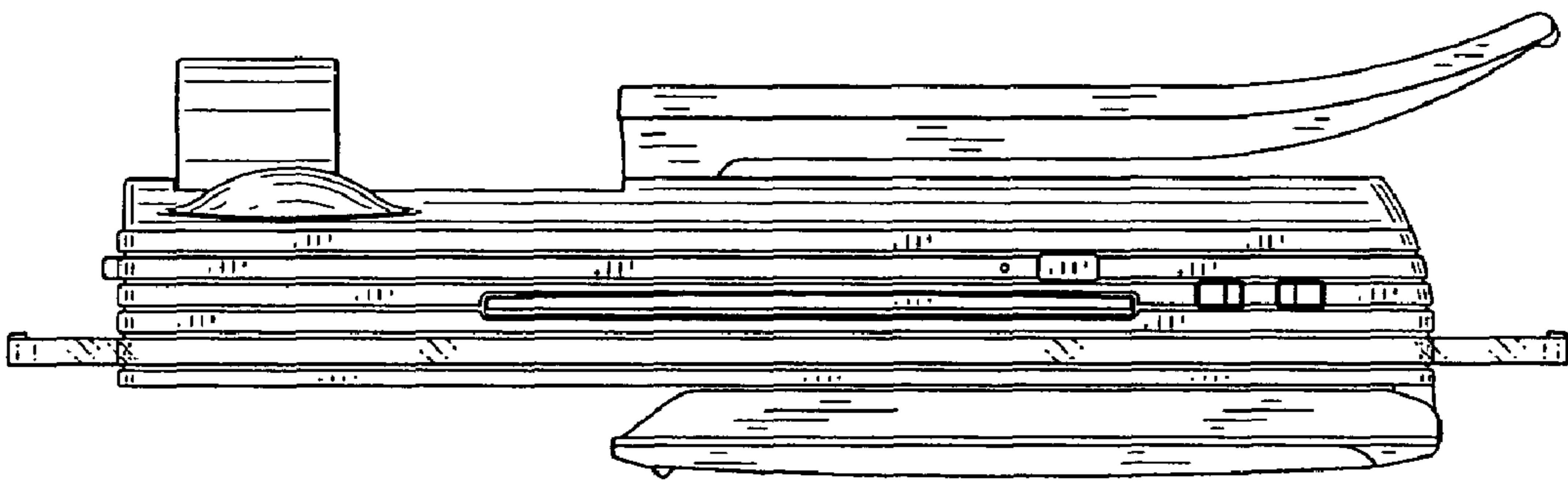


Fig. 20

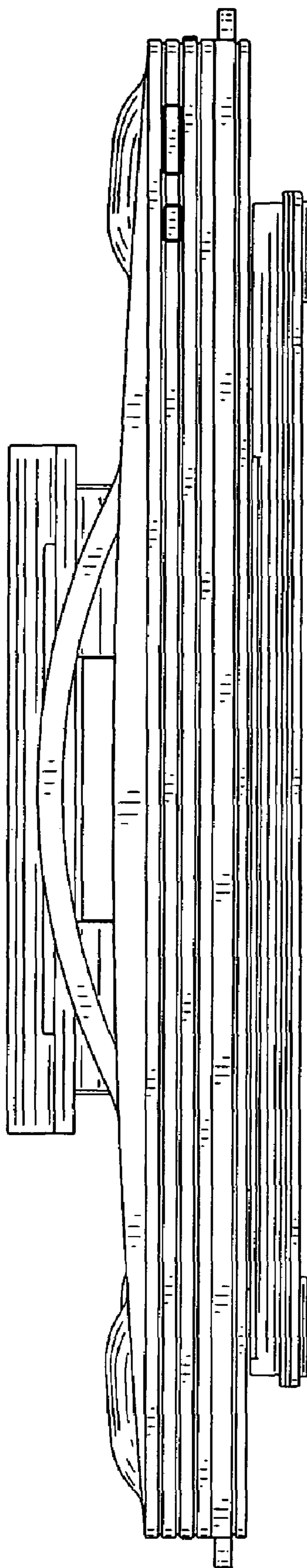


Fig. 21

