



US00D588118S

(12) **United States Design Patent**  
**Townsend et al.**

(10) **Patent No.:** **US D588,118 S**  
(45) **Date of Patent:** **\*\* Mar. 10, 2009**

(54) **LOW PROFILE FIXED WALL MOUNT**

(75) Inventors: **Michael Townsend**, Gilbert, AZ (US);  
**Patrick Plehn**, Chandler, AZ (US)

(73) Assignee: **Omnimount Systems, Inc.**, Phoenix, AZ  
(US)

(\*\*) Term: **14 Years**

(21) Appl. No.: **29/320,882**

(22) Filed: **Aug. 21, 2008**

(51) **LOC (9) Cl.** ..... **14-03**

(52) **U.S. Cl.** ..... **D14/239**

(58) **Field of Classification Search** ..... D14/125-134,  
D14/239, 371, 136, 374-377; D8/363, 373,  
D8/349, 394; 248/465, 917-924, 123.11;  
348/825, 827, 836, 837, 838, 180, 184, 325,  
348/739; 600/443; D6/477-479, 407, 474,  
D6/460, 461, 468; 312/7.2; 341/12; 345/87,  
345/104, 133, 156, 168, 169, 173; 720/605,  
720/669, 600, 655; 369/99, 197; 455/344-347;  
349/1, 2, 11, 62; 108/59, 91, 92, 96; 211/40,  
211/41.12, 42, 49.1, 50, 85.2, 90.04, 187,  
211/190, 119.003, 134.153, 87.01, 71.01

See application file for complete search history.

(56) **References Cited**

**U.S. PATENT DOCUMENTS**

1,815,767 A \* 7/1931 Fusmer ..... 248/475.1  
D286,495 S \* 11/1986 Blomdahl ..... D8/373

D553,125 S \* 10/2007 Ly Hau et al. .... D14/239  
D558,036 S \* 12/2007 Rogers ..... D8/380  
D560,671 S \* 1/2008 Muday et al. .... D14/451  
D565,054 S \* 3/2008 Anderson et al. .... D14/452  
D565,399 S \* 4/2008 Grey ..... D8/380  
D570,355 S \* 6/2008 Muday et al. .... D14/451  
D576,632 S \* 9/2008 Stenhouse et al. .... D14/451  
2003/0201372 A1 \* 10/2003 Dozier ..... 248/286.1  
2007/0262215 A1 \* 11/2007 Tan ..... 248/201

\* cited by examiner

*Primary Examiner*—Raphael Barkai

*Assistant Examiner*—Randall H Gholson

(74) *Attorney, Agent, or Firm*—Hogan & Hartson LLP

(57) **CLAIM**

The ornamental design for a low profile fixed wall mount,  
substantially as shown and described.

**DESCRIPTION**

FIG. 1 is a top, left isometric view of a low profile fixed wall  
mount.

FIG. 2 is a front, elevational view thereof.

FIG. 3 is a top, elevational view thereof.

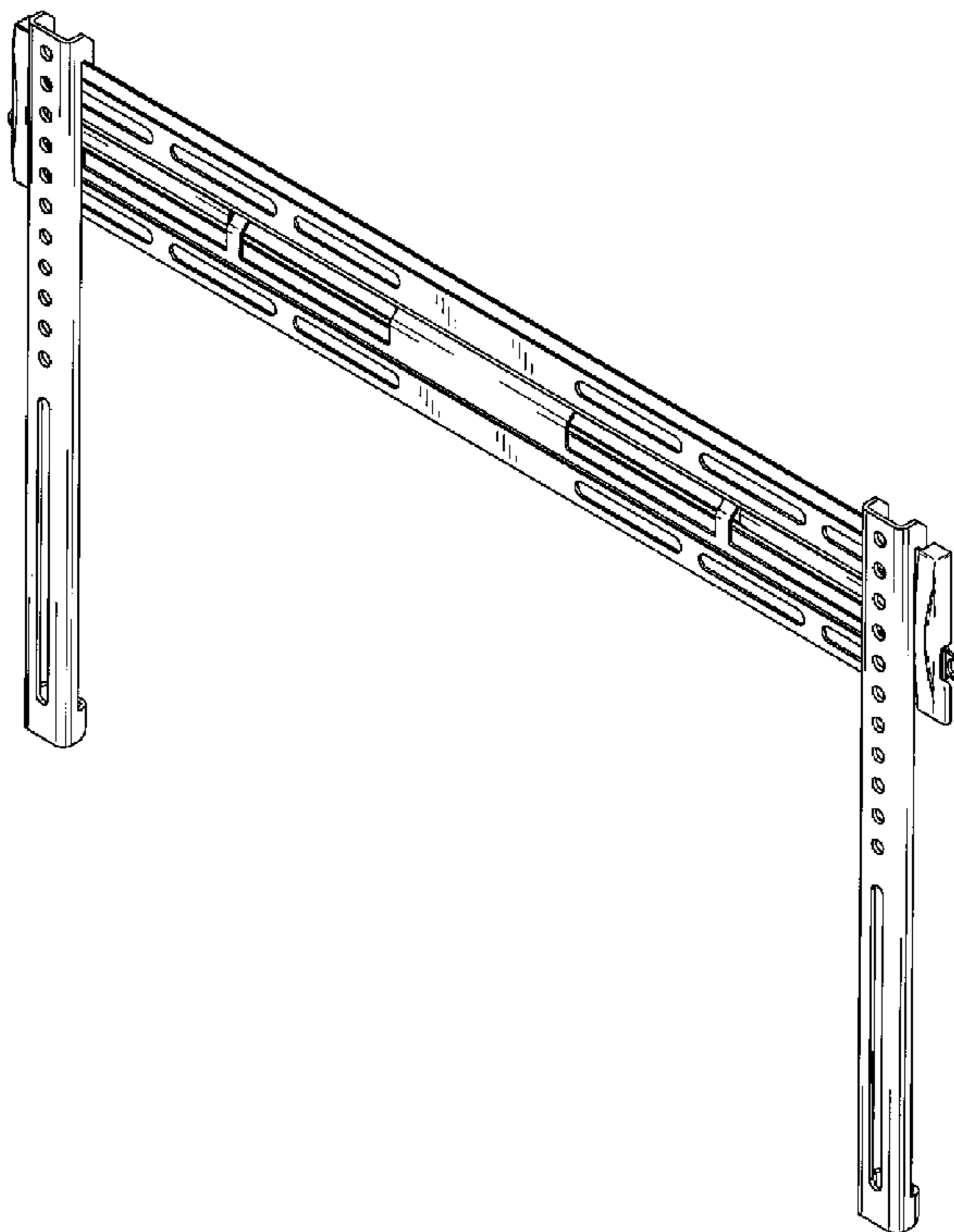
FIG. 4 is a bottom, elevational view thereof.

FIG. 5 is a rear, elevational view thereof.

FIG. 6 is a right side view thereof; and,

FIG. 7 is a left side view thereof.

**1 Claim, 4 Drawing Sheets**



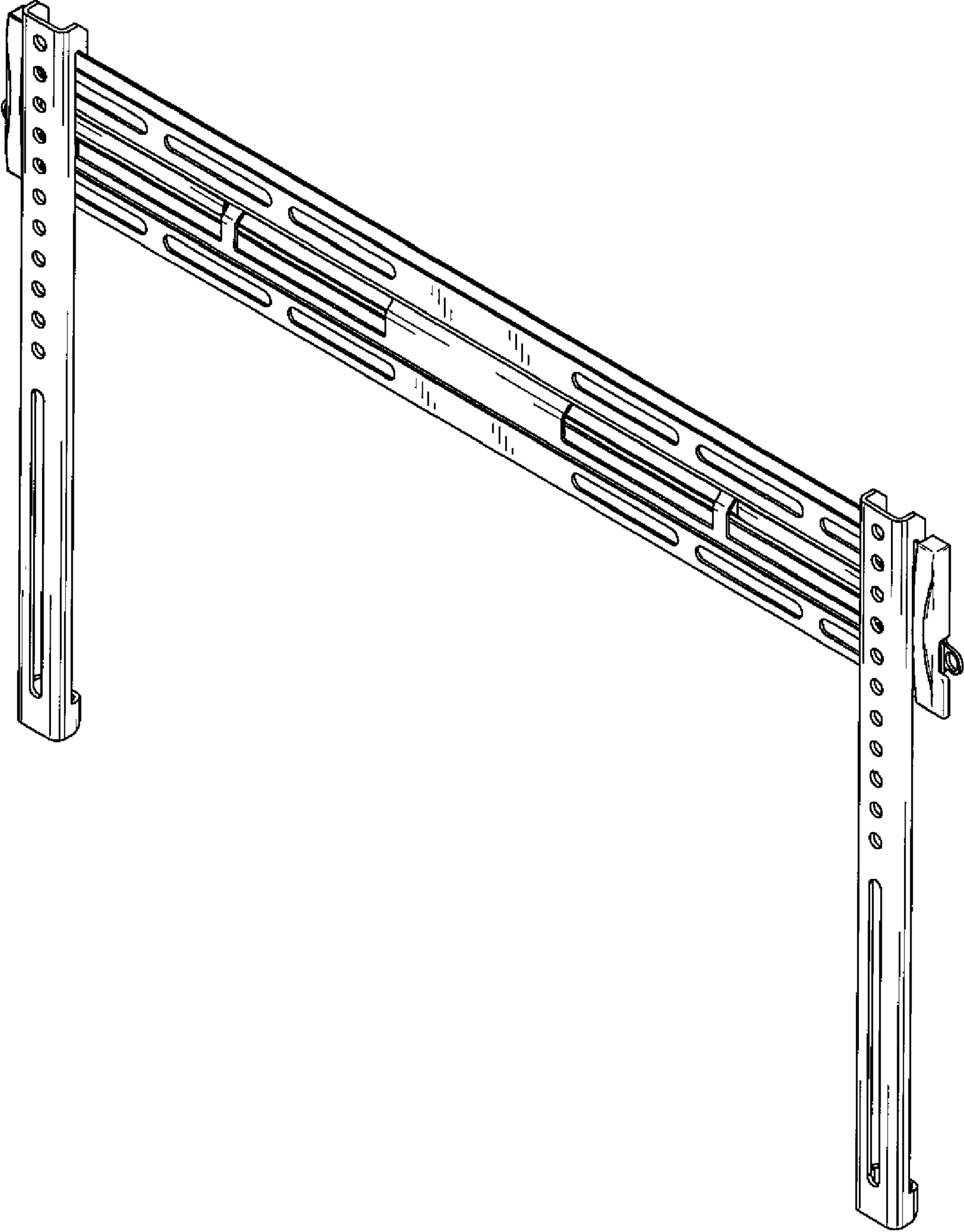


FIG. 1

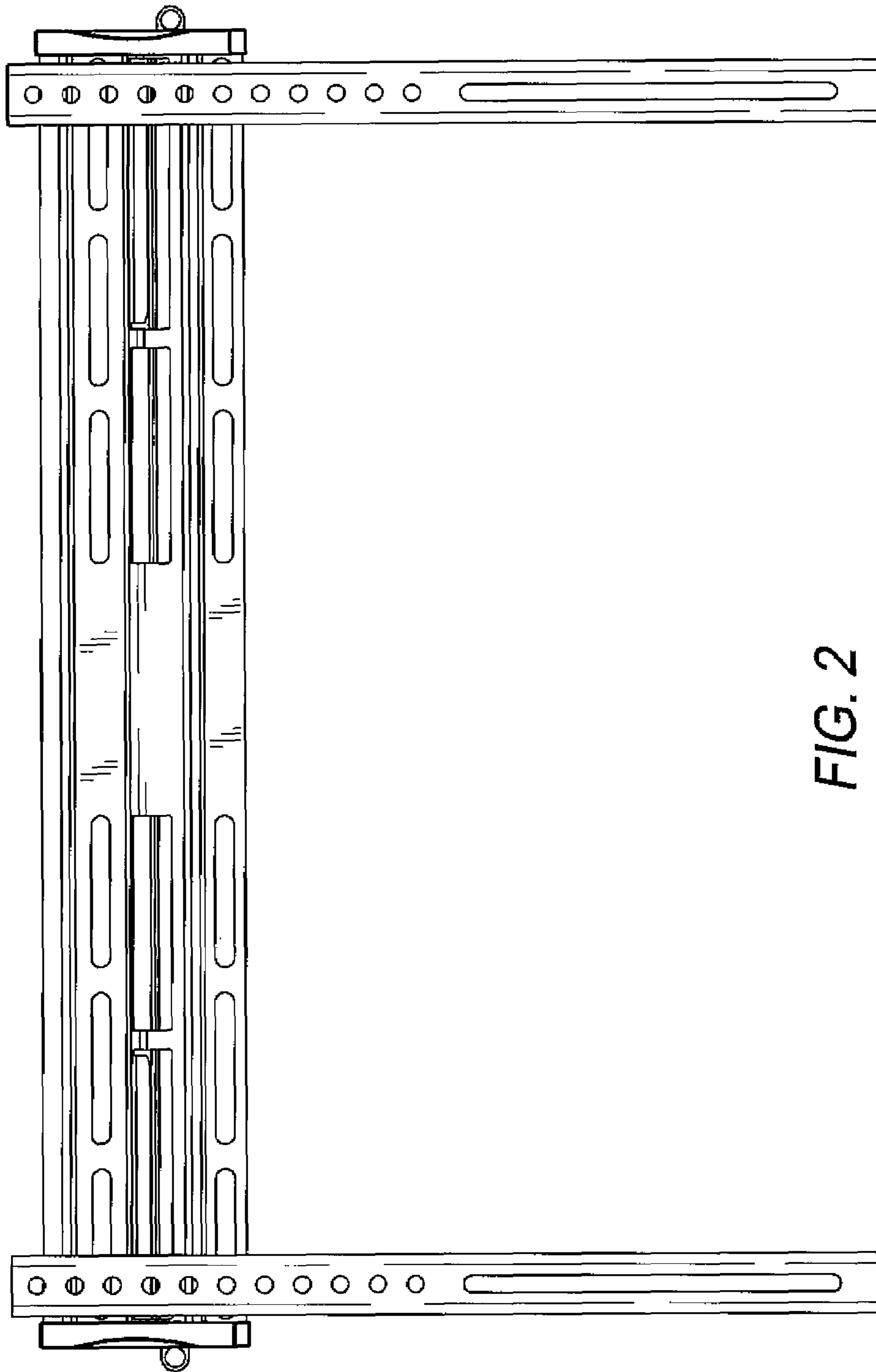


FIG. 2



FIG. 3

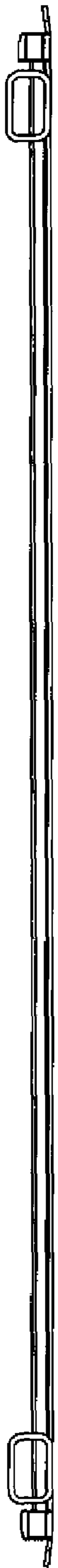


FIG. 4

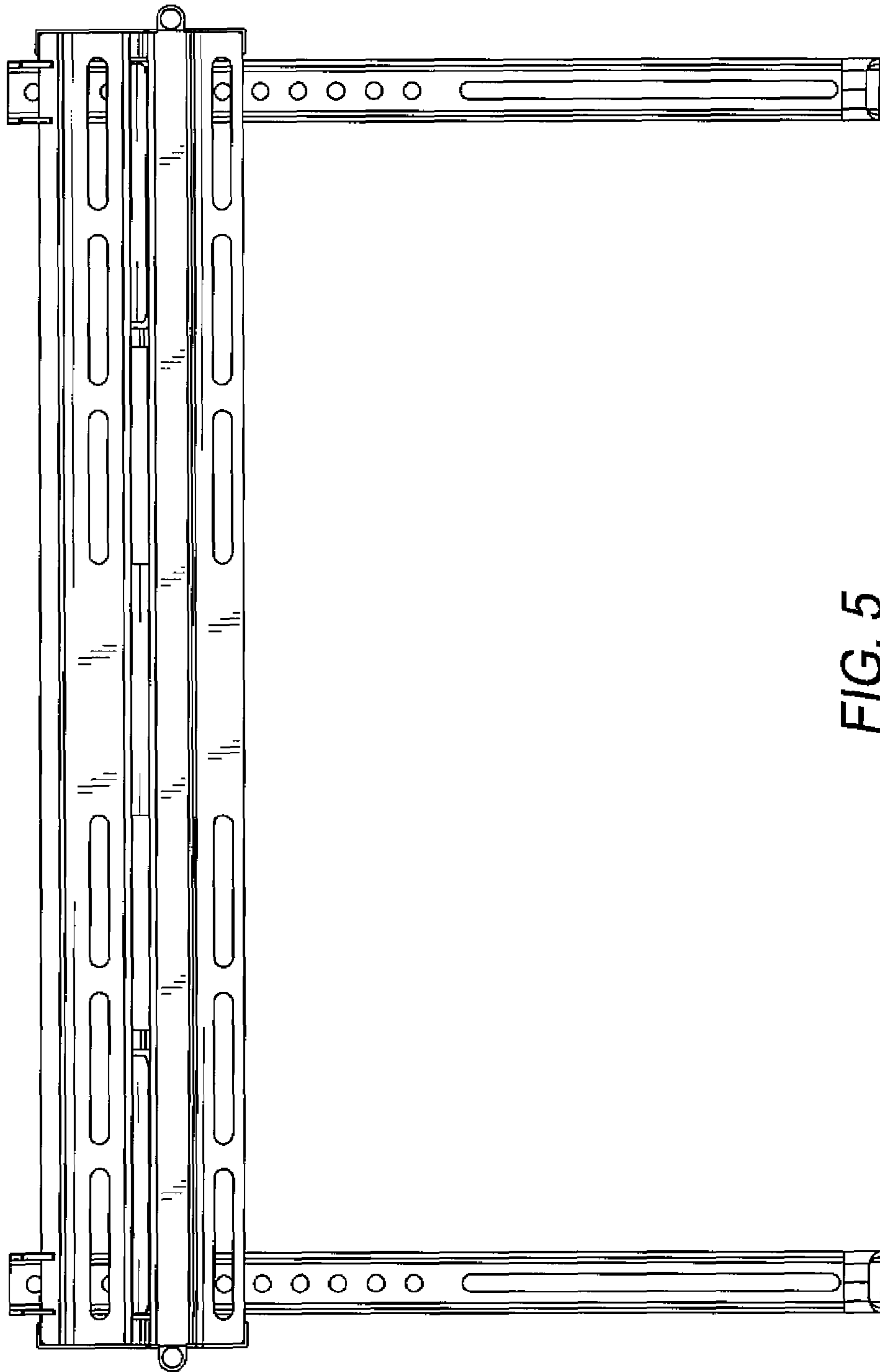
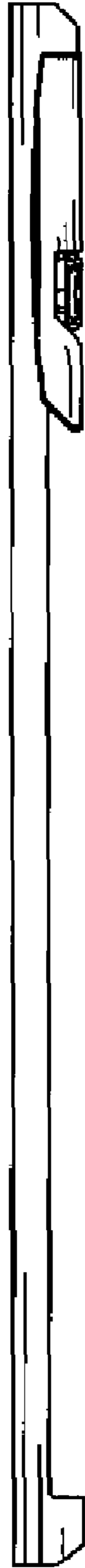


FIG. 5



*FIG. 6*



*FIG. 7*