



US00D588117S

(12) **United States Design Patent**
Arai

(10) **Patent No.:** **US D588,117 S**
(45) **Date of Patent:** **** Mar. 10, 2009**

(54) **STAND FOR TELEVISION SET**
(75) Inventor: **Miki Arai**, Chiyoda-Ku (JP)
(73) Assignee: **Mitsubishi Electric Corporation**,
Tokyo (JP)
(**) Term: **14 Years**
(21) Appl. No.: **29/318,234**
(22) Filed: **May 15, 2008**
(30) **Foreign Application Priority Data**
Dec. 20, 2007 (JP) 2007-035023
(51) **LOC (9) Cl.** **14-03**
(52) **U.S. Cl.** **D14/239**
(58) **Field of Classification Search** D14/125-134,
D14/239, 371, 136, 374-377; D8/363, 373,
D8/349, 394; 248/465, 917-924, 123.11;
348/825, 827, 836, 837, 838, 180, 184, 325,
348/739; 600/443; D6/477-479, 407, 474,
D6/460, 461, 468; 312/7.2; 341/12; 345/87,
345/104, 133, 156, 168, 169, 173; 720/605,
720/669, 600, 655; 369/99, 197; 455/344-347;
349/1, 2, 11, 62; 108/59, 91, 92, 96; 211/40,
211/41.12, 42, 49.1, 50, 85.2, 90.04, 187,
211/190, 119.003, 134.153, 87.01, 71.01
See application file for complete search history.

(56) **References Cited**
U.S. PATENT DOCUMENTS
D432,101 S * 10/2000 Oba D14/126
D439,224 S * 3/2001 Kita D14/126

D476,632 S * 7/2003 Inoue et al. D14/126
D496,009 S * 9/2004 Takahashi et al. D14/126
D531,179 S * 10/2006 Yamashiro et al. D14/375
D537,801 S * 3/2007 Qin et al. D14/126
D554,085 S * 10/2007 Kita D14/126
D558,696 S * 1/2008 Park et al. D14/126
D566,069 S * 4/2008 Honda et al. D14/126
D574,341 S * 8/2008 Kuramashi et al. D14/126

* cited by examiner
Primary Examiner—Raphael Barkai
Assistant Examiner—Randall H Gholson
(74) *Attorney, Agent, or Firm*—Sughrue Mion, PLLC

(57) **CLAIM**

The ornamental design for a stand for television set, as shown and described.

DESCRIPTION

FIG. 1 is a front, top and left side perspective view of a stand for television set, showing my new design;
FIG. 2 is a front elevational view thereof;
FIG. 3 is a rear elevational view thereof;
FIG. 4 is a top plan view thereof;
FIG. 5 is a bottom plan view thereof;
FIG. 6 is a left side elevational view thereof;
FIG. 7 is a right side elevational view thereof; and,
FIG. 8 is an enlarged cross-sectional view thereof; taken along line 8—8 of FIG. 2, with the internal system omitted.

1 Claim, 4 Drawing Sheets

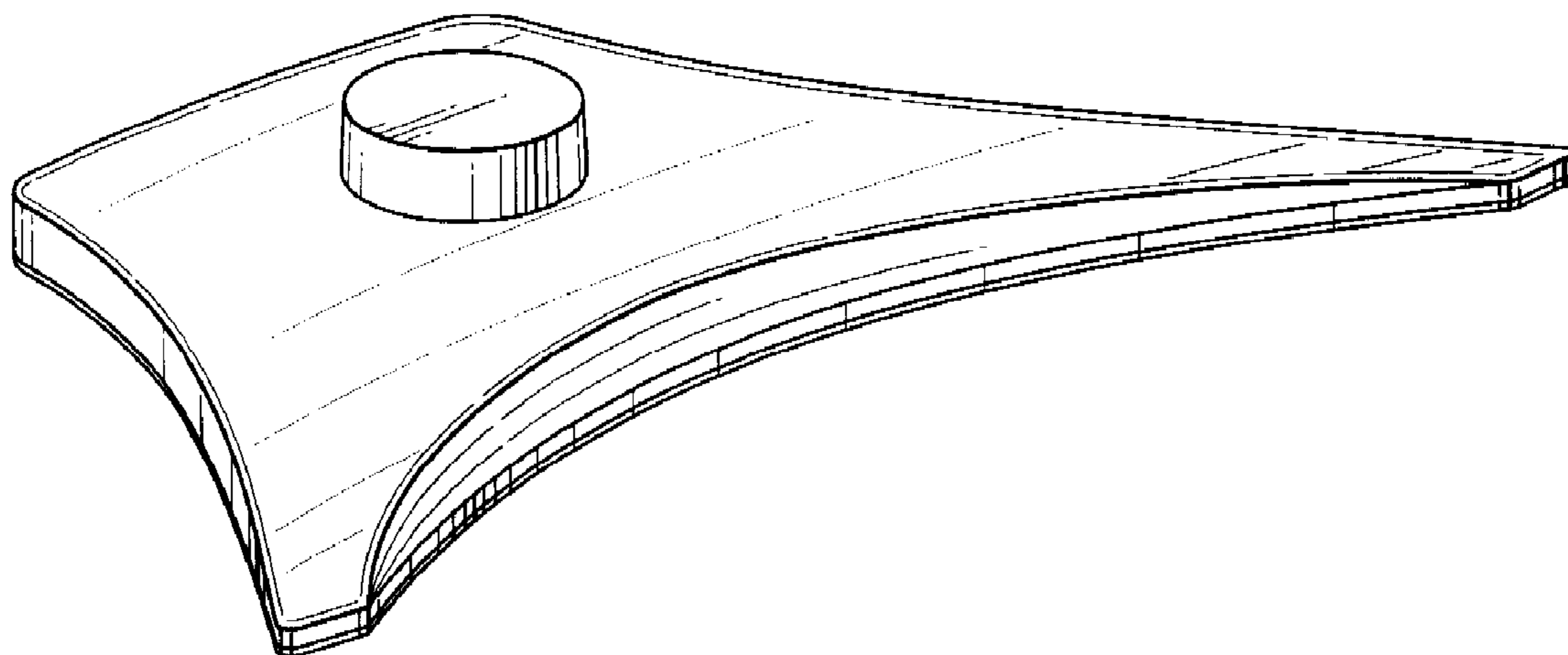


FIG. 1

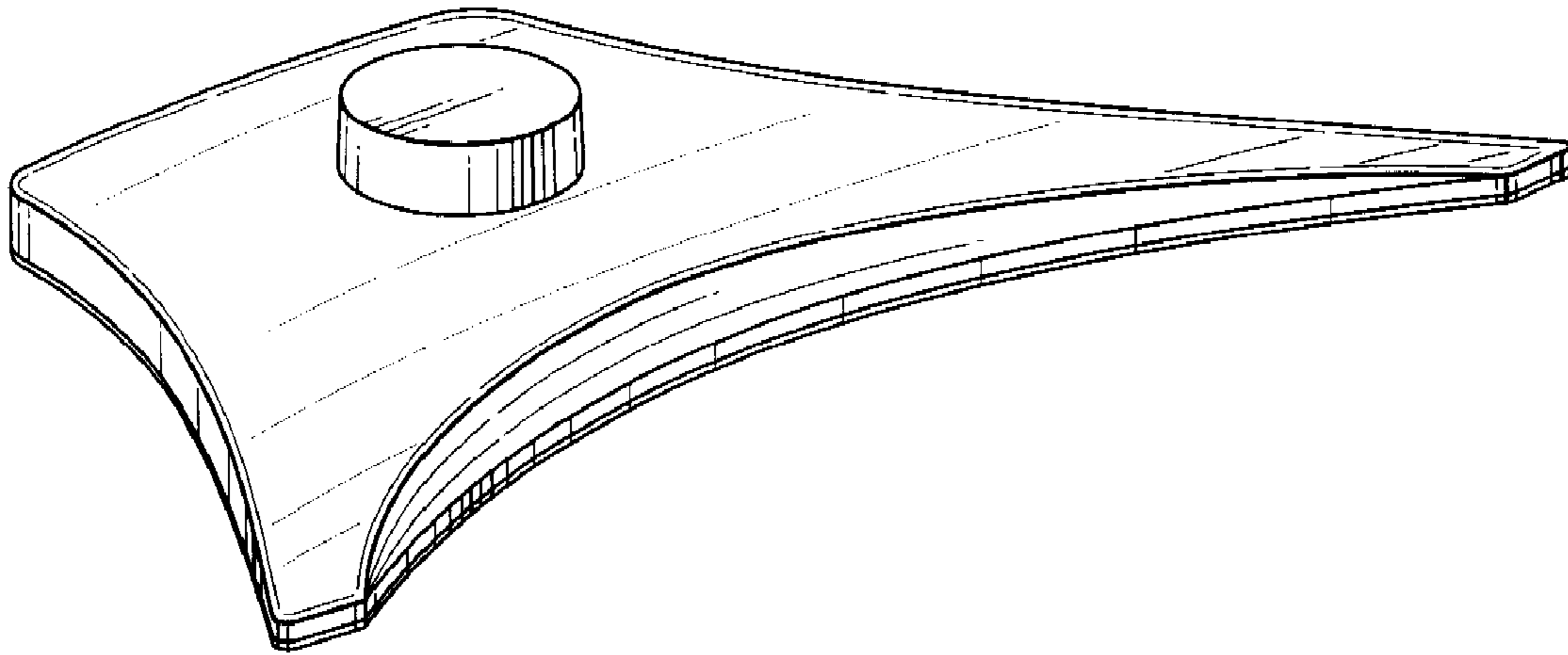


FIG.2

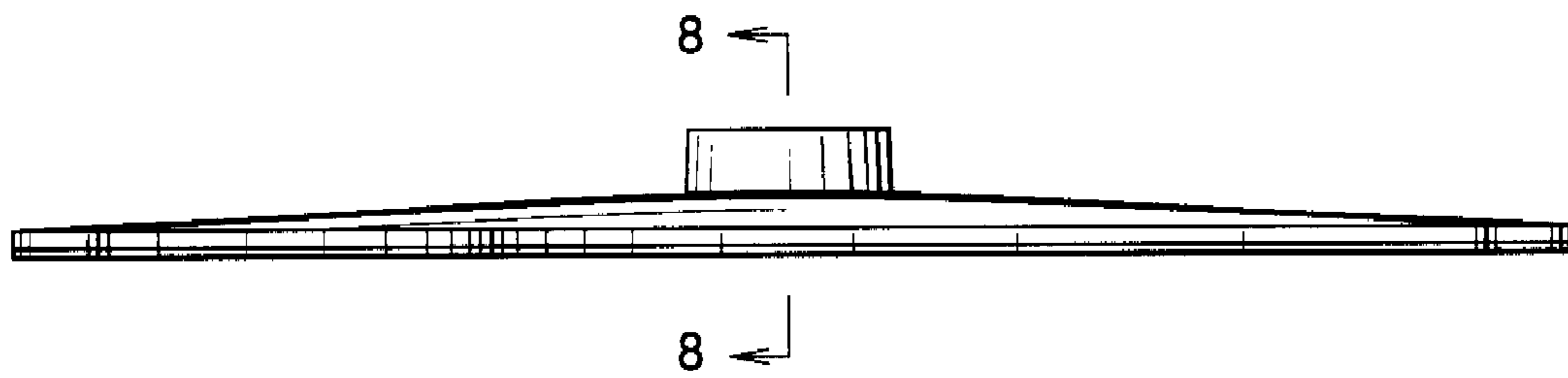


FIG.3

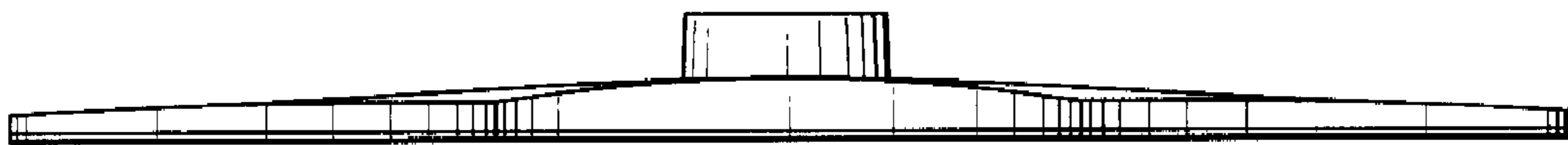


FIG.4

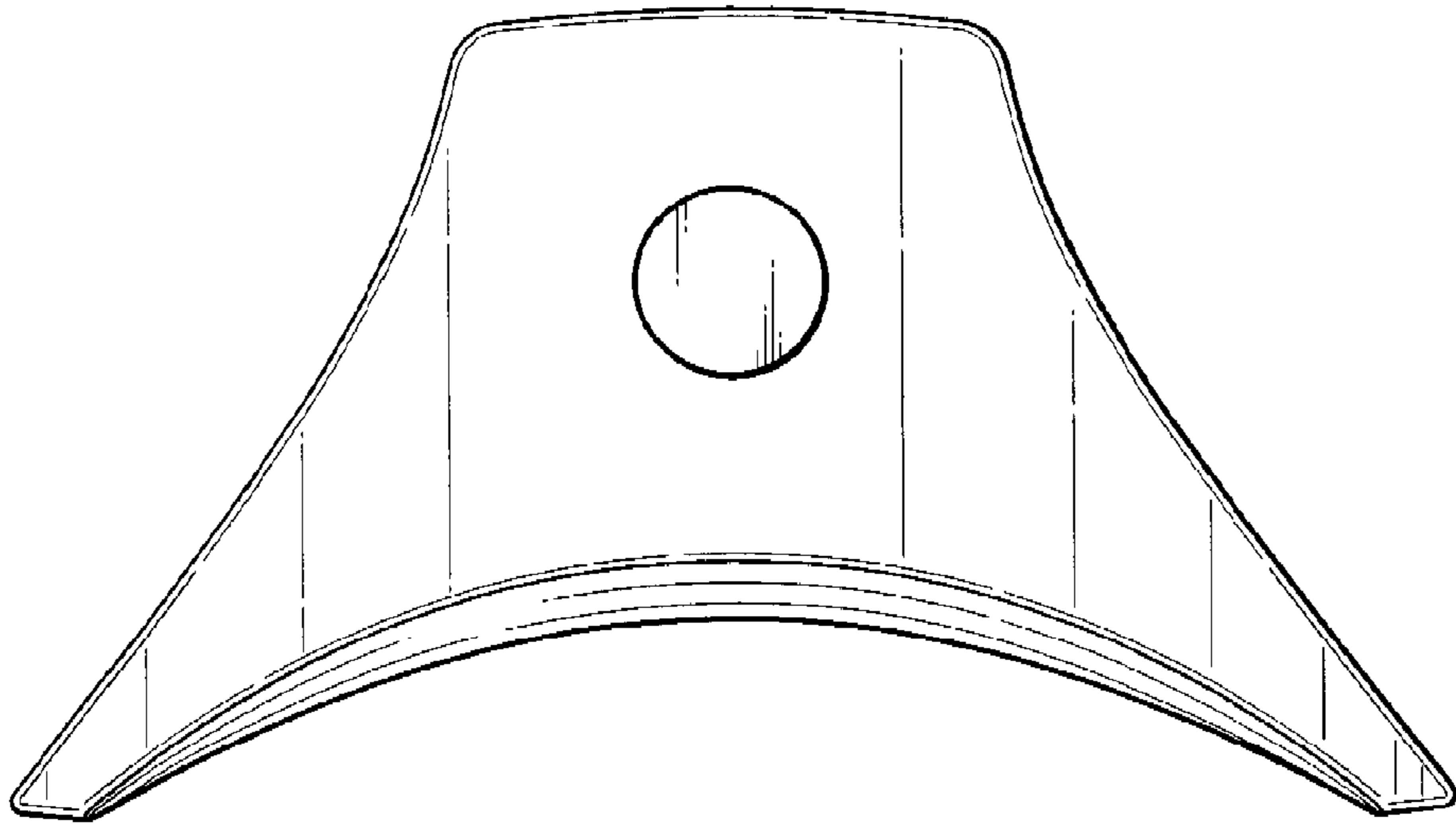


FIG.5

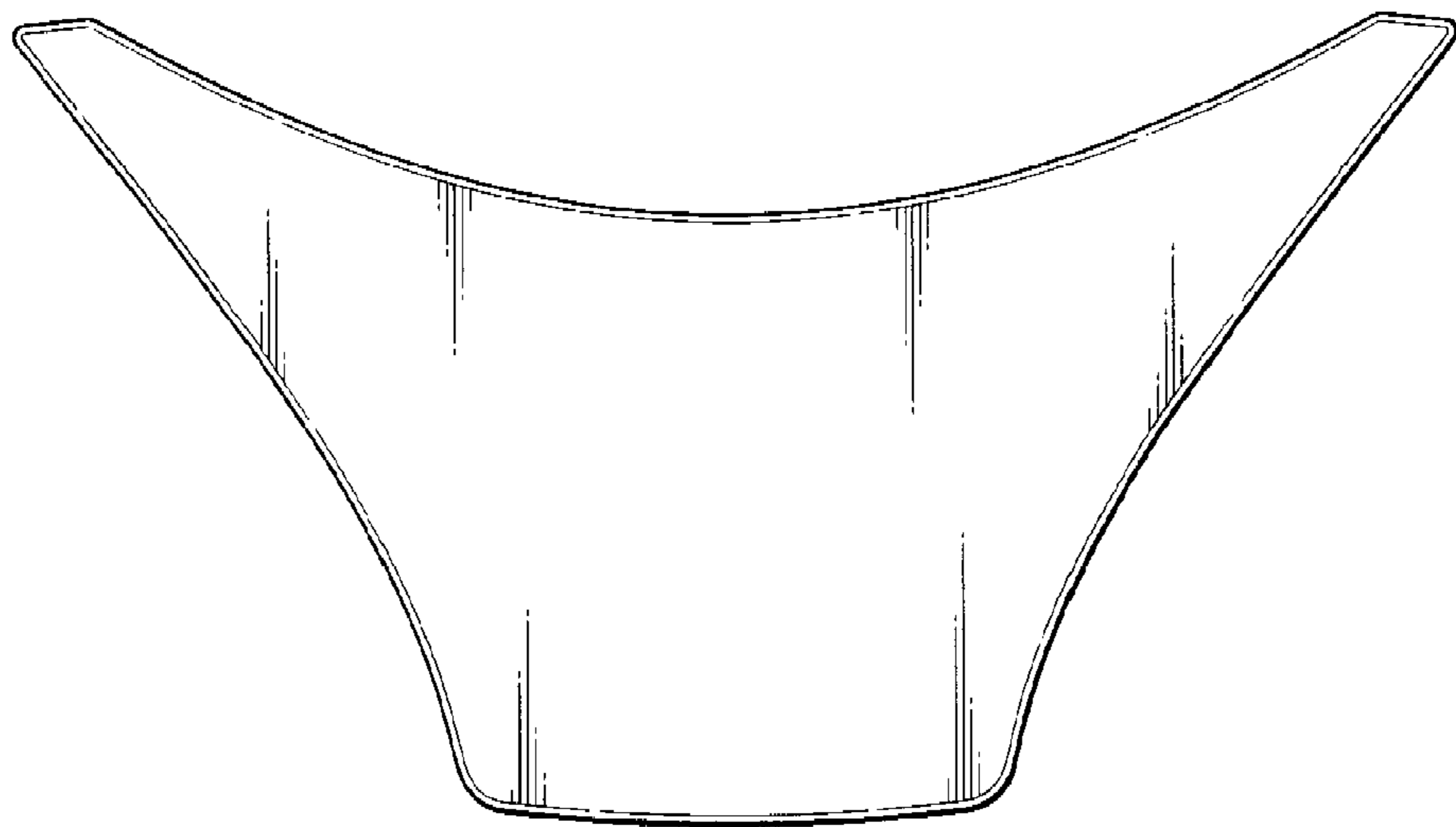


FIG.6

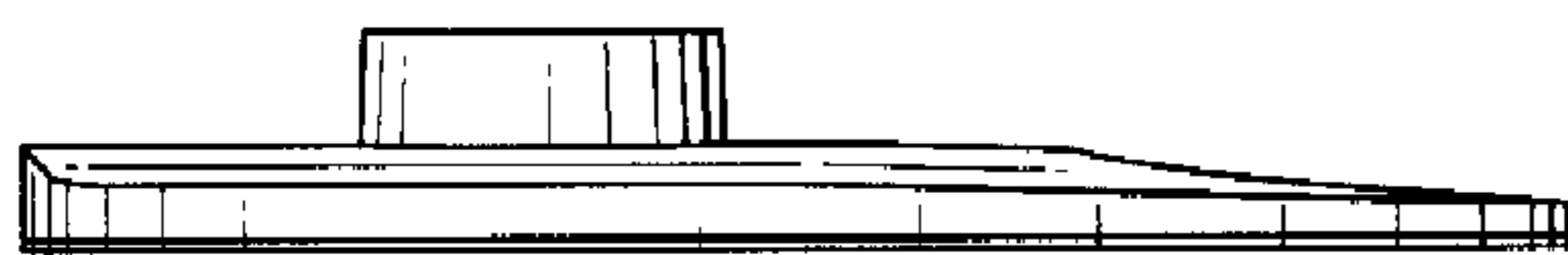


FIG.7

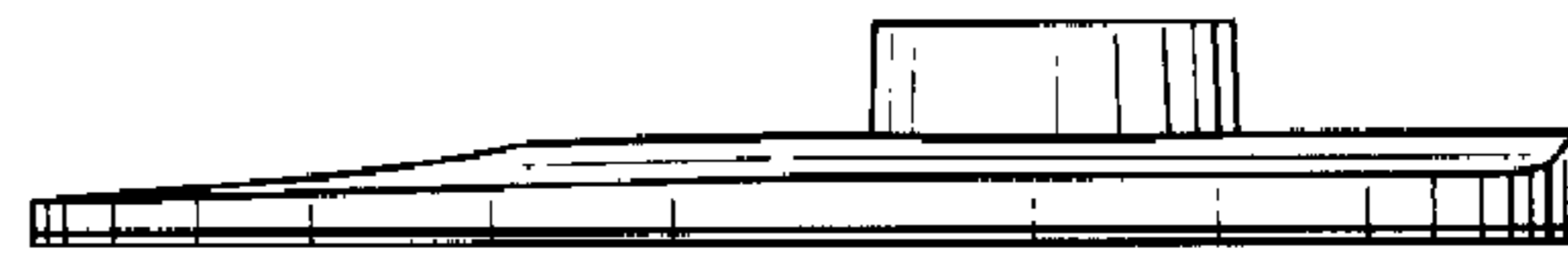


FIG. 8

