



US00D588114S

(12) **United States Design Patent**
Ollila

(10) **Patent No.:** **US D588,114 S**
(45) **Date of Patent:** **** Mar. 10, 2009**

(54) **MICROPHONE**

(75) Inventor: **David J. Ollila**, Marquette, MI (US)

(73) Assignee: **V.I.O. Inc.**, Marquette, MI (US)

(**) Term: **14 Years**

(21) Appl. No.: **29/280,582**

(22) Filed: **May 31, 2007**

(51) **LOC (9) Cl.** **14-01**

(52) **U.S. Cl.** **D14/225**

(58) **Field of Classification Search** D14/225,
D14/229, 299; D17/22, 99; D8/394, 396,
D8/397; 248/49, 68.1, 73, 74.1, 74.2, 74.4;
174/72 A; 381/91, 118, 359, 361, 365, 366,
381/368; D25/68; 181/158, 242

See application file for complete search history.

(56) **References Cited**

U.S. PATENT DOCUMENTS

| | | | | | |
|-----------|-----|---------|---------------|-------|-----------|
| 624,484 | A * | 5/1899 | Haskall | | 248/74.1 |
| 3,015,465 | A * | 1/1962 | Schmitt | | 248/73 |
| D203,702 | S * | 2/1966 | Thompson | | D17/22 |
| 3,253,084 | A * | 5/1966 | Taylor | | 174/138 G |
| 3,370,815 | A * | 2/1968 | Opperthausen | | 248/74.2 |
| 3,582,029 | A * | 6/1971 | Moesta | | 248/68.1 |
| 3,848,839 | A * | 11/1974 | Tillman | | 248/74.2 |
| 4,185,802 | A * | 1/1980 | Myles et al. | | 248/74.4 |
| D278,233 | S * | 4/1985 | Hardy | | D14/229 |
| 5,749,548 | A * | 5/1998 | Tamura et al. | | 248/49 |

| | | | | | |
|-----------|------|---------|---------|-------|----------|
| D408,727 | S * | 4/1999 | Sherman | | D8/396 |
| 6,717,055 | B2 * | 4/2004 | Kato | | 174/72 A |
| D511,679 | S * | 11/2005 | Malin | | D8/396 |

* cited by examiner

Primary Examiner—Paula Greene

(74) *Attorney, Agent, or Firm*—Dobrusin & Thennisch PC

(57) **CLAIM**

The ornamental design for a microphone, as shown and described.

DESCRIPTION

FIG. 1 is a front perspective view of a microphone showing my new design;

FIG. 2 is a side elevational view thereof, the opposite side is a mirror image;

FIG. 3 is a front elevational view of the embodiment shown in FIG. 1.

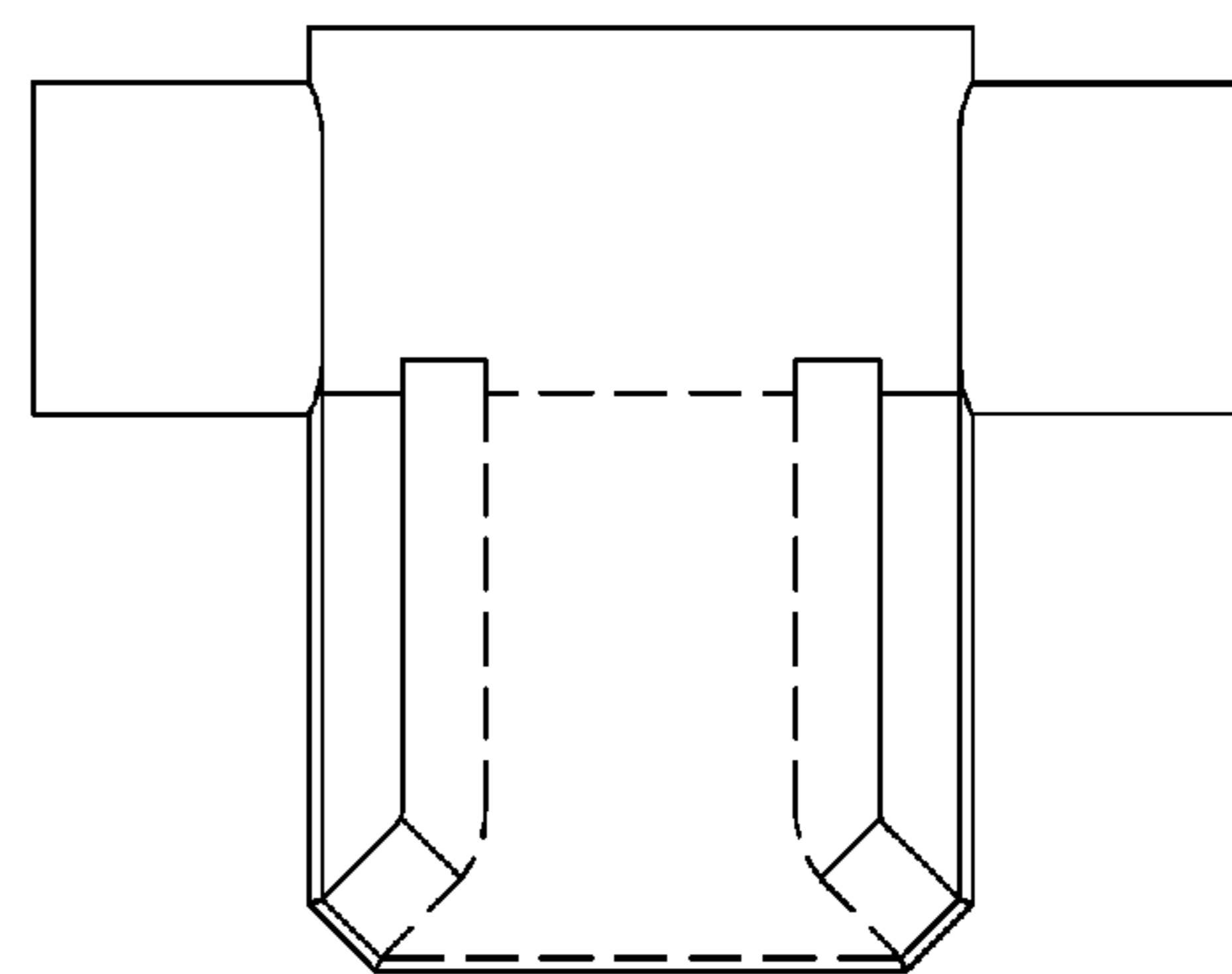
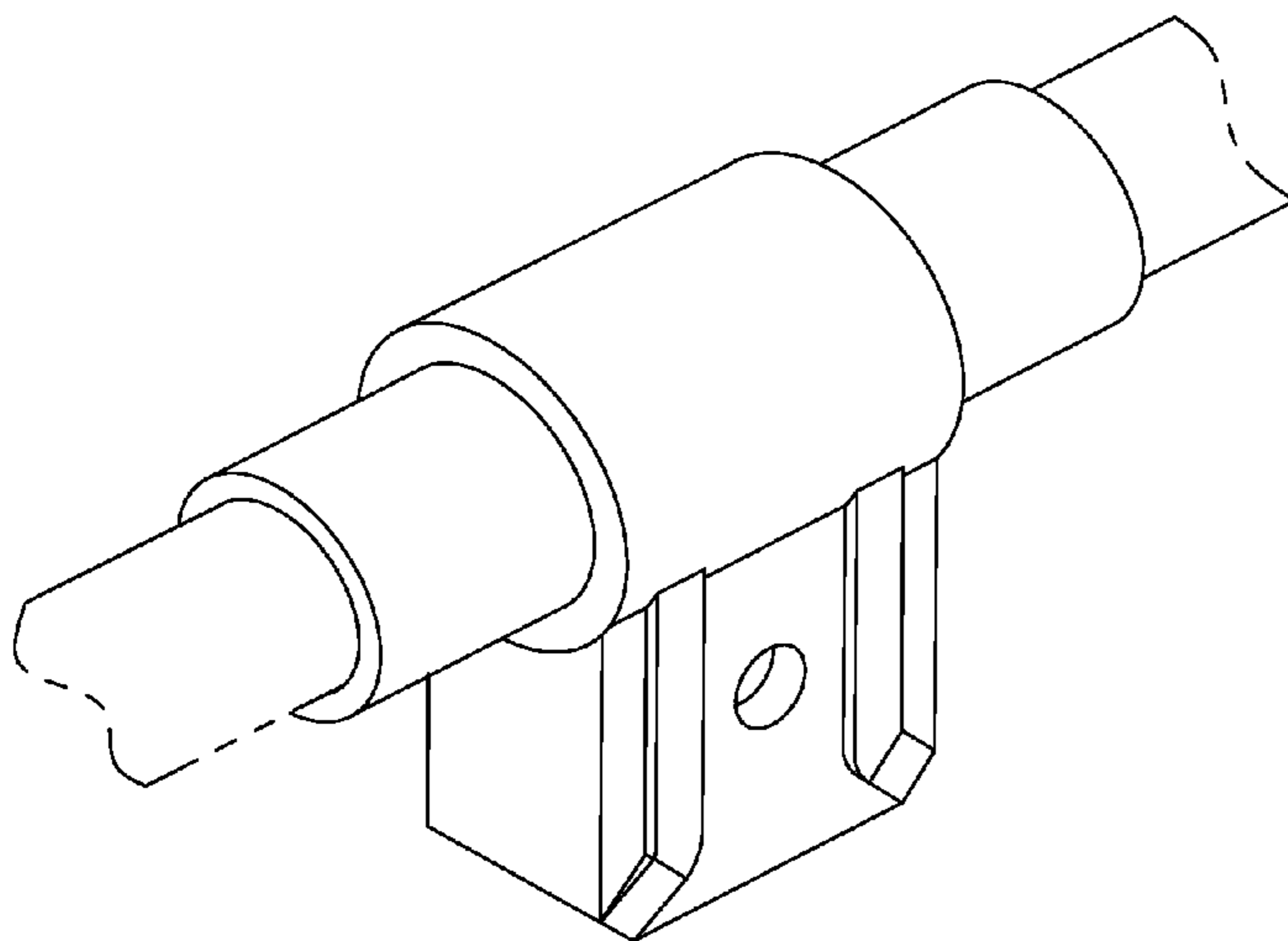
FIG. 4 is a bottom elevational view of the embodiment shown in FIG. 1.

FIG. 5 is a top elevational view of the embodiment shown in FIG. 1; and,

FIG. 6 is a rear elevational view thereof.

The broken lines in FIG. 1 form no part of the claimed design while the broken lines in FIG. 6 define the bounds of the claimed design and form no part thereof.

1 Claim, 1 Drawing Sheet



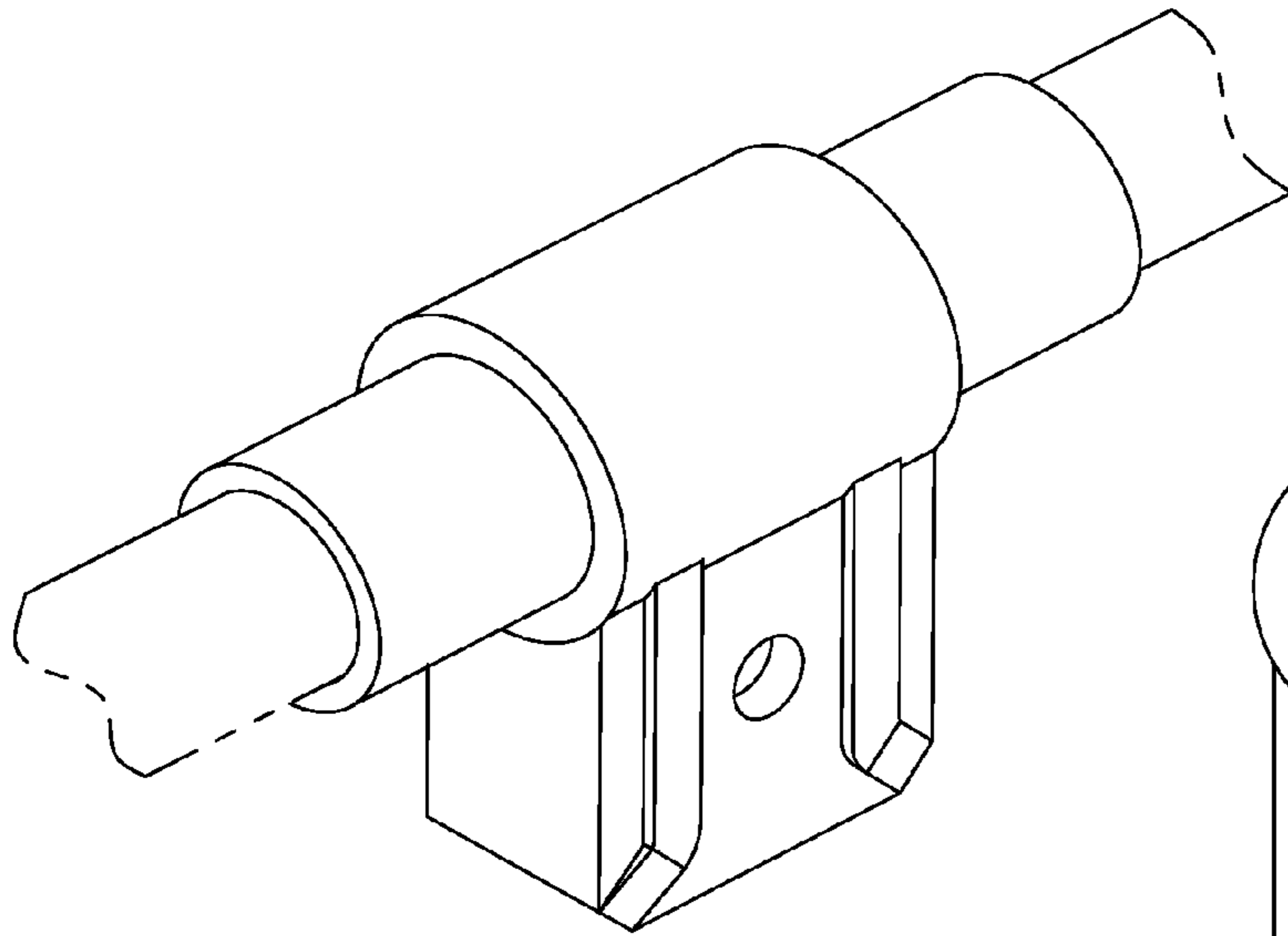


Fig - 1

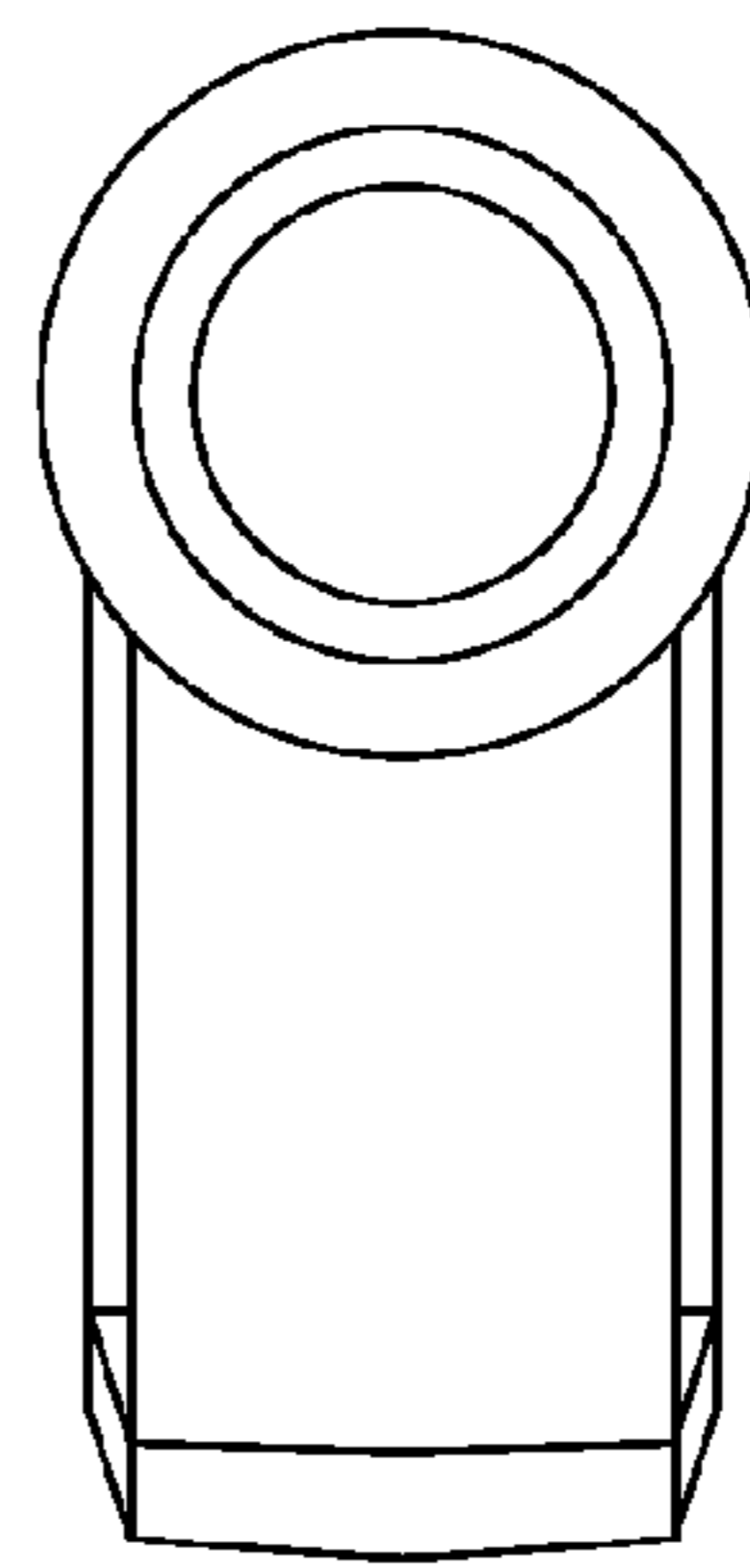


Fig-2

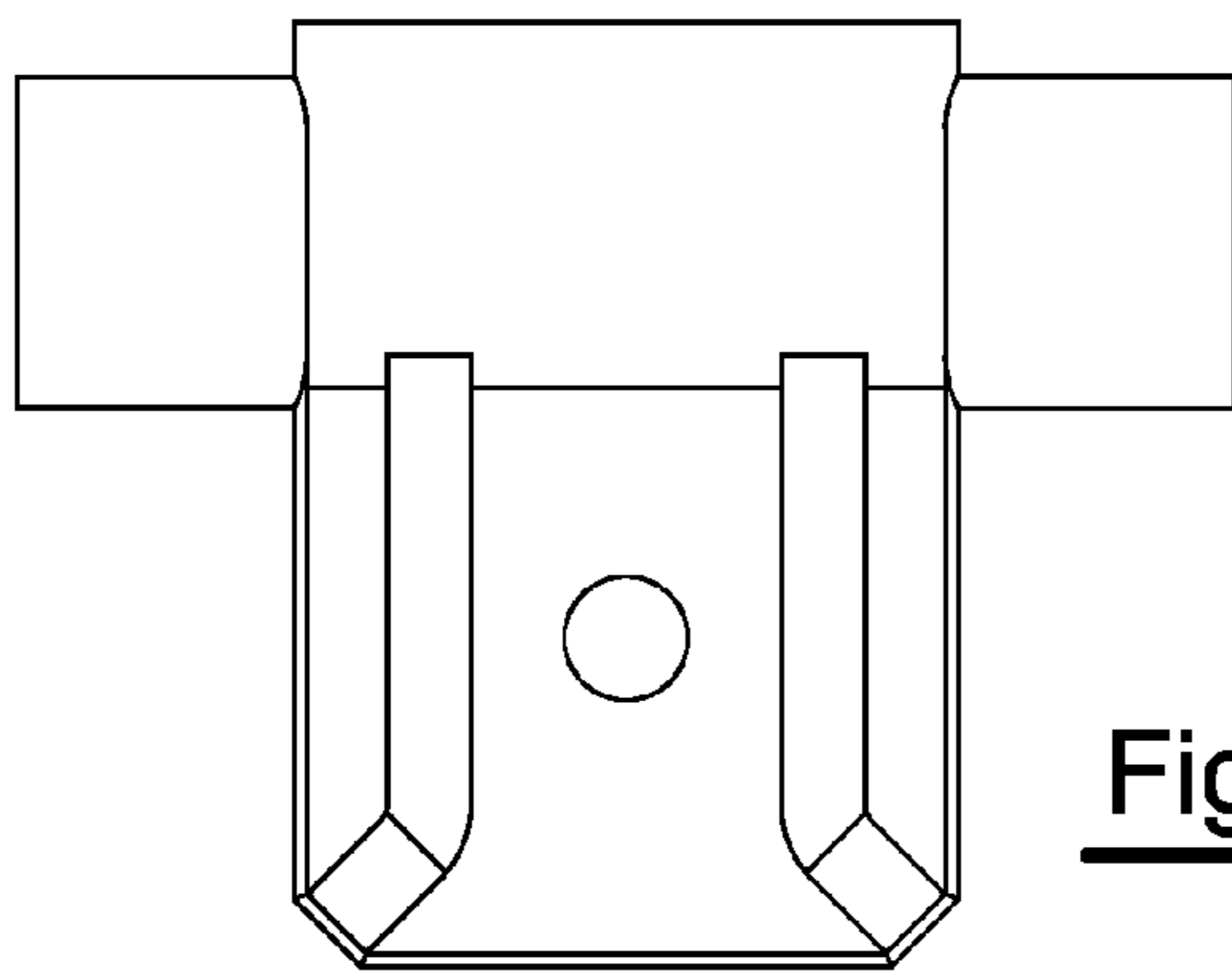


Fig-3

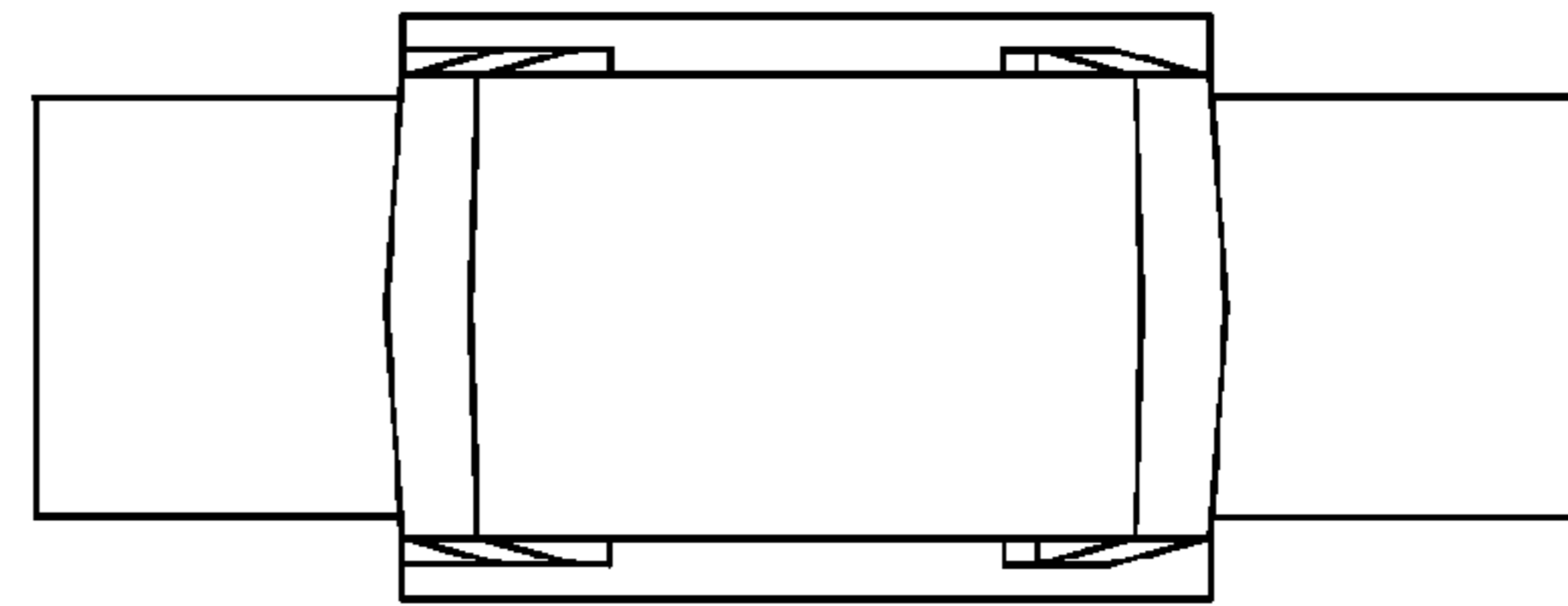


Fig-4

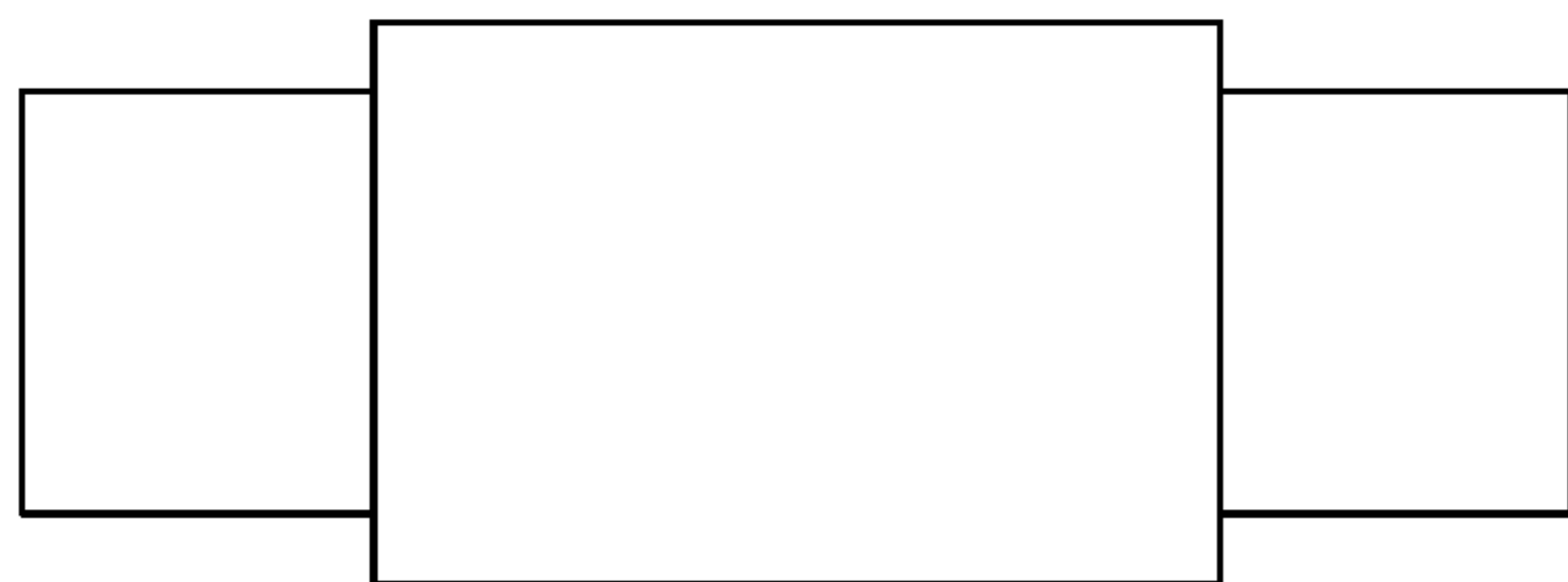


Fig-5

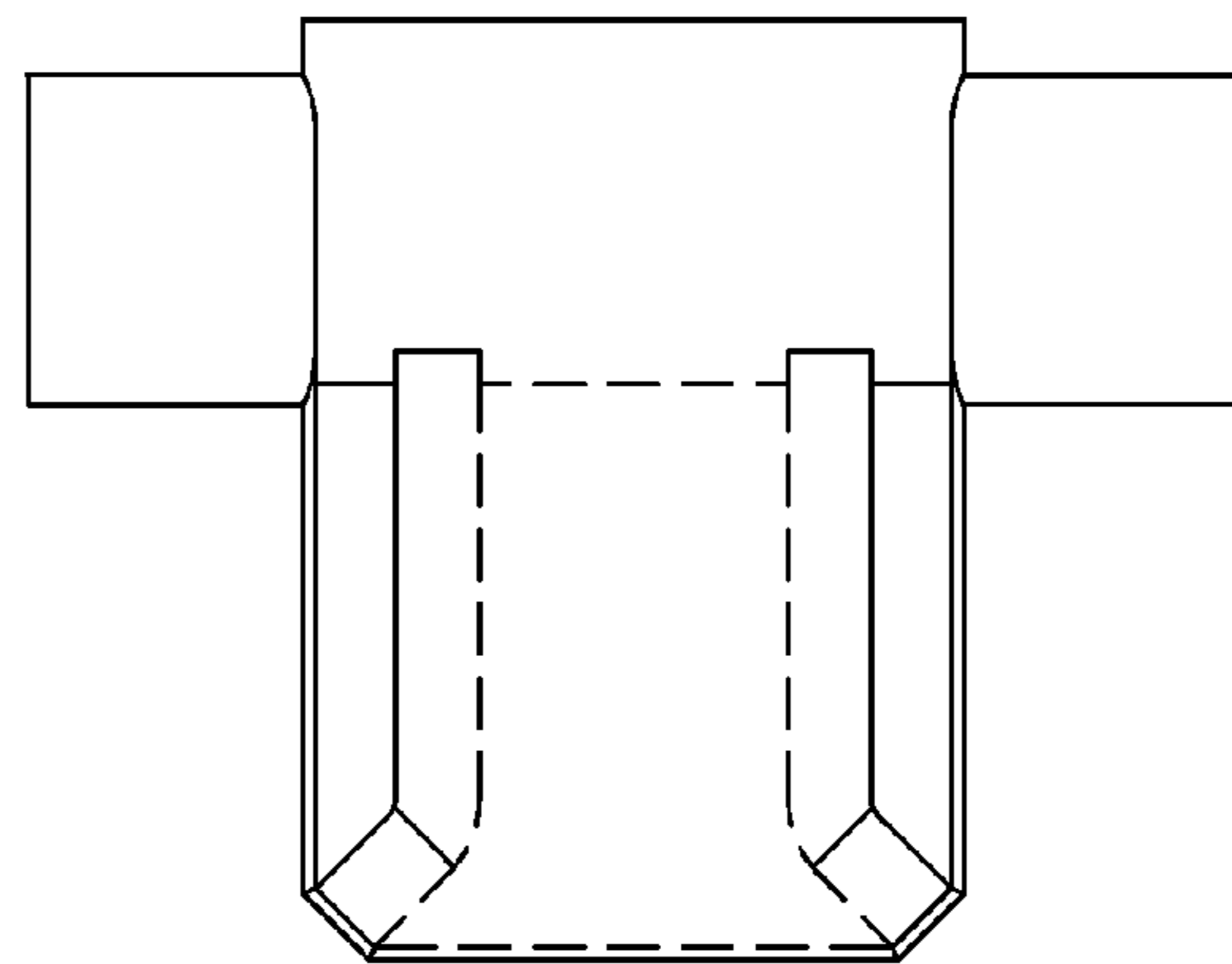


Fig-6