



US00D588113S

(12) **United States Design Patent**
Bradford

(10) **Patent No.:** **US D588,113 S**
(45) **Date of Patent:** **** Mar. 10, 2009**

(54) **HEADSET**

(75) Inventor: **Simon Bradford**, Espoo (FI)

(73) Assignee: **Nokia Corporation**, Espoo (FI)

(**) Term: **14 Years**

(21) Appl. No.: **29/304,147**

(22) Filed: **Feb. 26, 2008**

(30) **Foreign Application Priority Data**

Aug. 27, 2007 (EM) 000779053

(51) **LOC (9) Cl.** **14-01**

(52) **U.S. Cl.** **D14/223**

(58) **Field of Classification Search** D14/205,
D14/206, 223, 240; 379/430, 446, 433.11;
381/374, 376, 377, 378, 379, 380, 381, 330;
181/129, 130; 455/351, 575.7

See application file for complete search history.

(56) **References Cited**

U.S. PATENT DOCUMENTS

D538,271 S * 3/2007 Kim et al. D14/223
D550,215 S * 9/2007 Udagawa et al. D14/223
D553,613 S * 10/2007 Sade et al. D14/223
D566,103 S * 4/2008 Sade et al. D14/223

D566,108 S * 4/2008 Kan D14/223
D566,693 S * 4/2008 Jensen et al. D14/223
D568,301 S * 5/2008 Kim et al. D14/223
D568,876 S * 5/2008 Tsai et al. D14/223
D573,582 S * 7/2008 Ma D14/205
D573,983 S * 7/2008 Bang et al. D14/223
D575,277 S * 8/2008 Gaarde et al. D14/223

* cited by examiner

Primary Examiner—Paula Greene

(74) *Attorney, Agent, or Firm*—Banner & Witcoff, Ltd.

(57) **CLAIM**

The ornamental design for a headset, as shown and described.

DESCRIPTION

FIG. 1 is a front perspective view of a headset showing my new design;

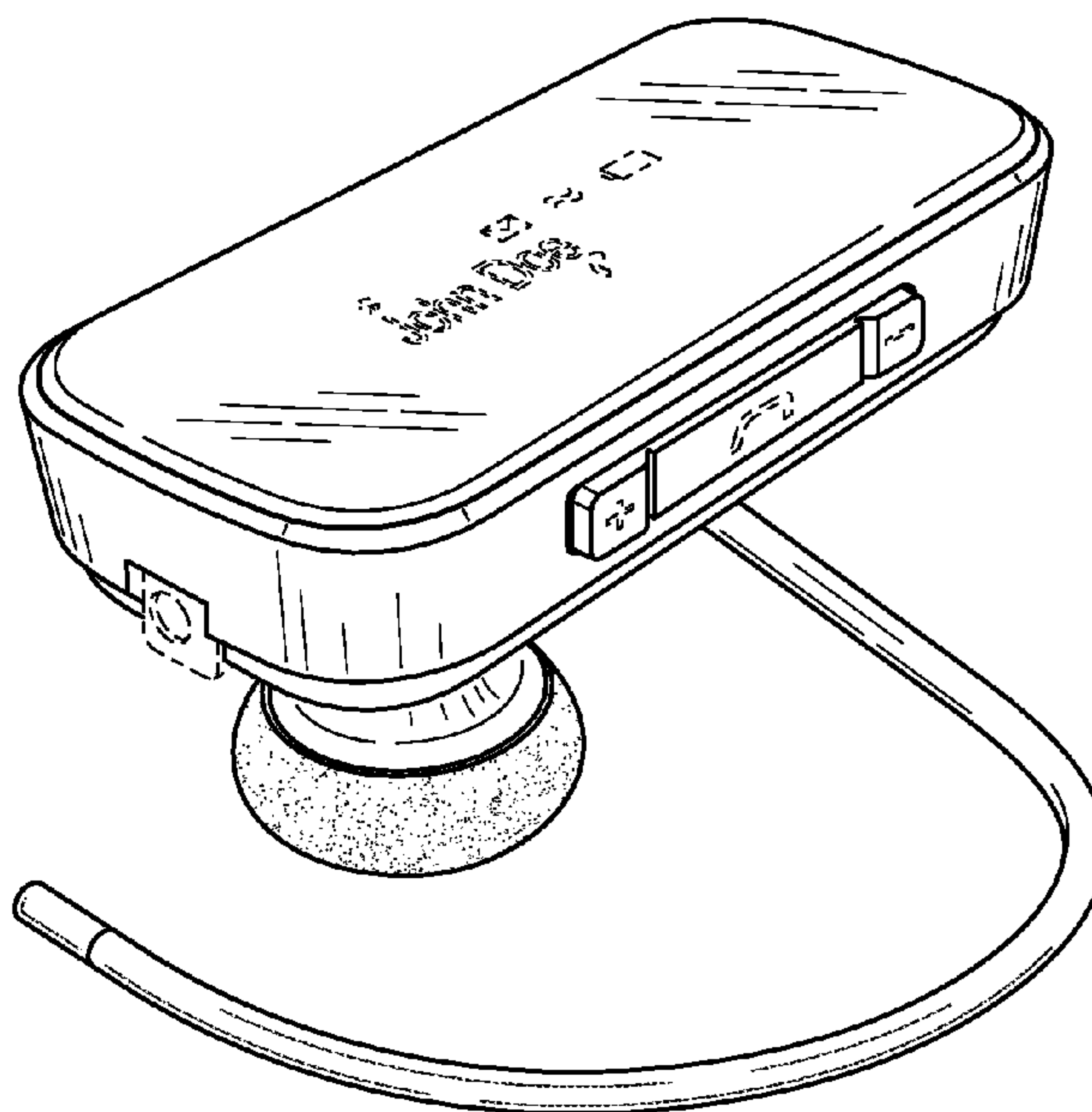
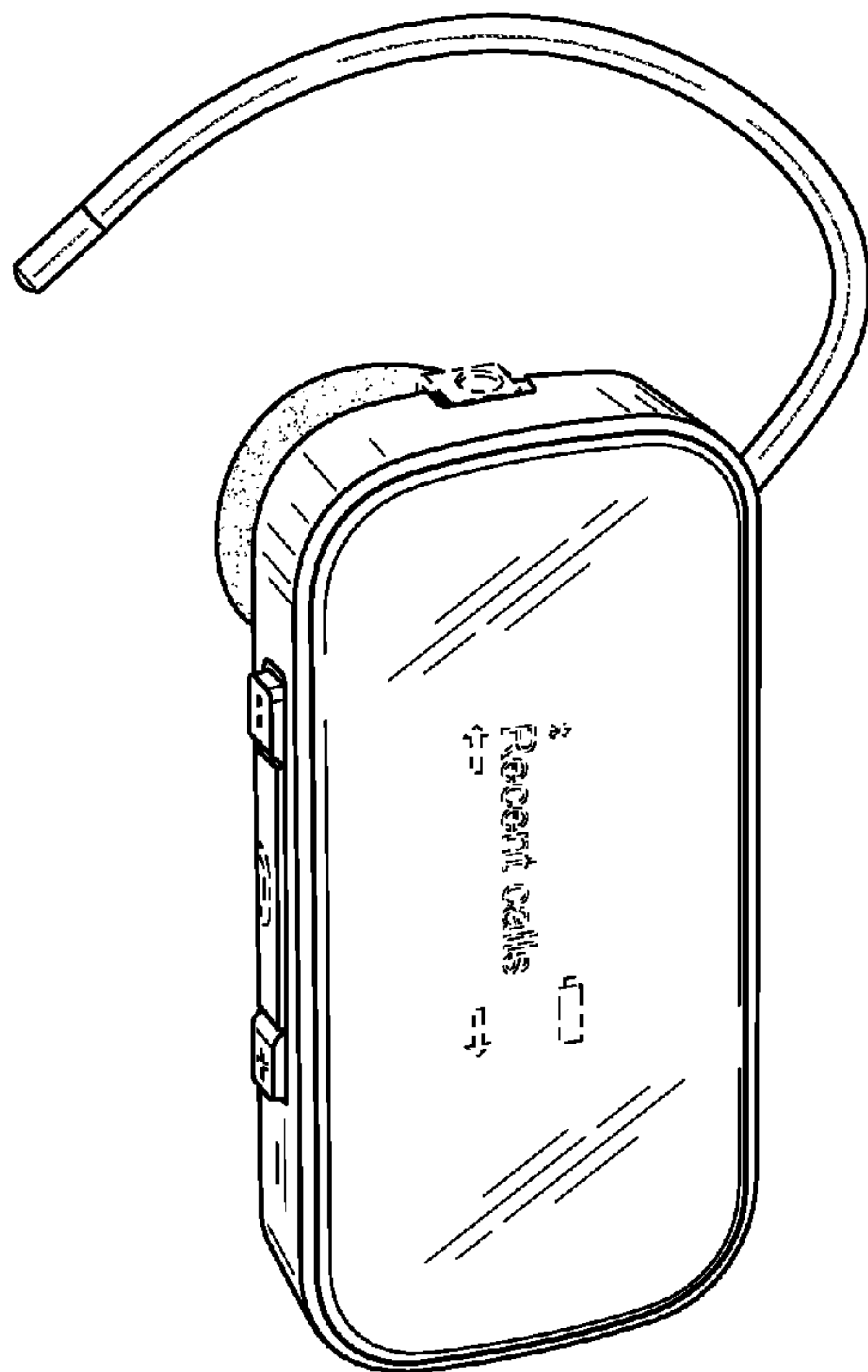
FIG. 2 is a front view thereof, the front portion of the bottom view is not part of the claimed design;

FIG. 3 is a right side perspective view thereof; and,

FIG. 4 is a left side view thereof.

The broken line showing environmental structure and surface ornamentation is for illustrative purposes only and forms no part of the claimed design.

1 Claim, 4 Drawing Sheets



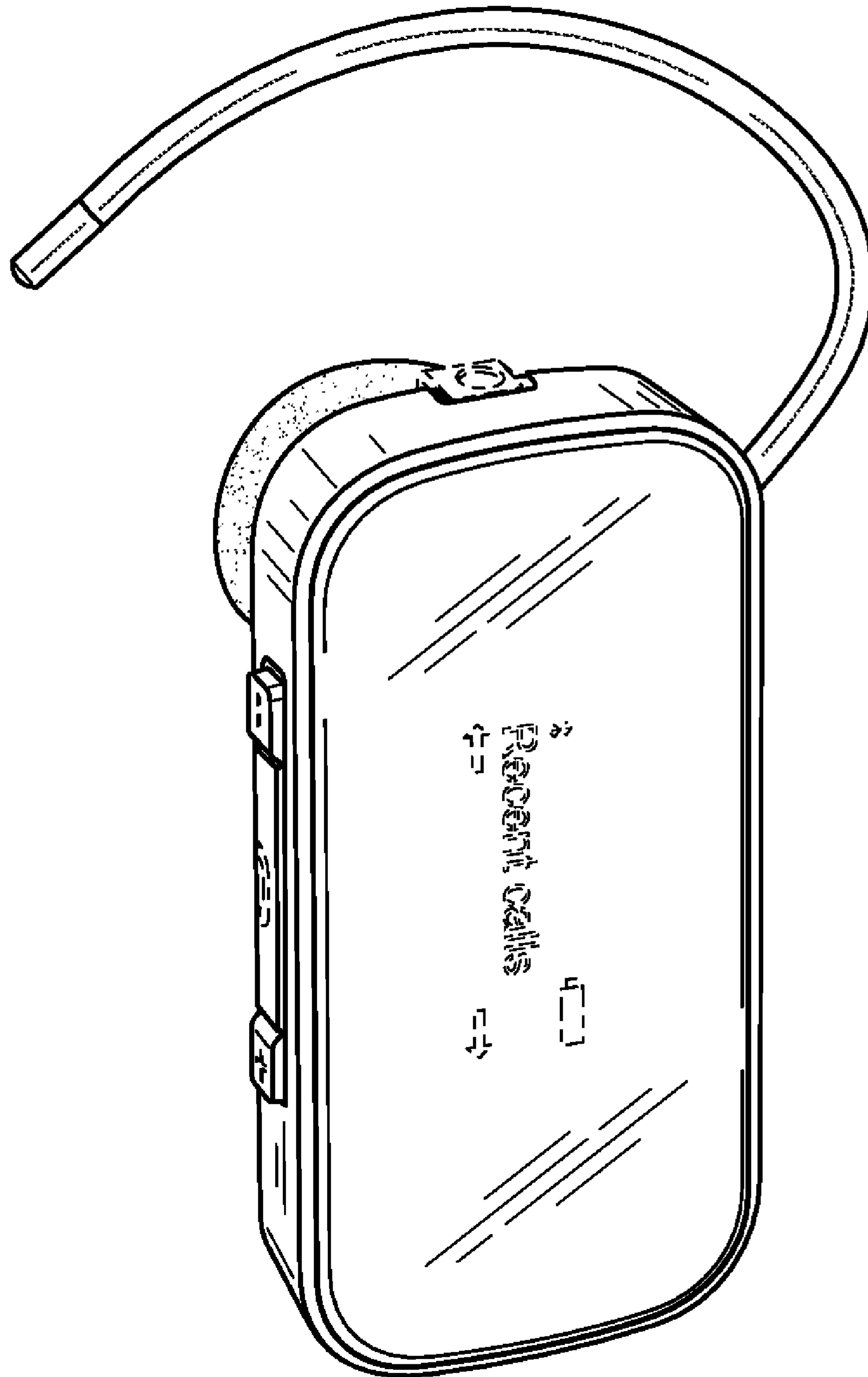


FIG. 1

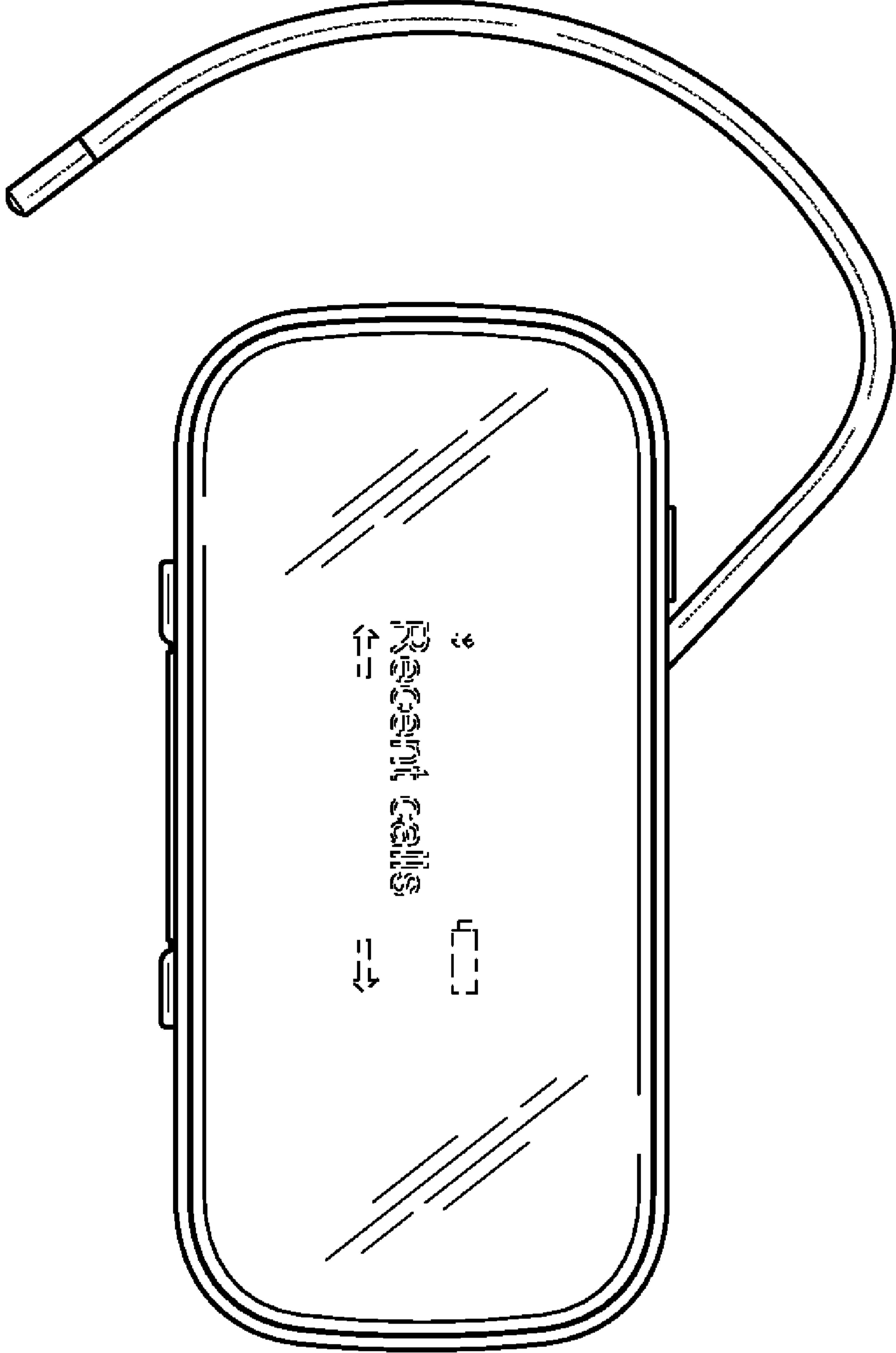


FIG. 2

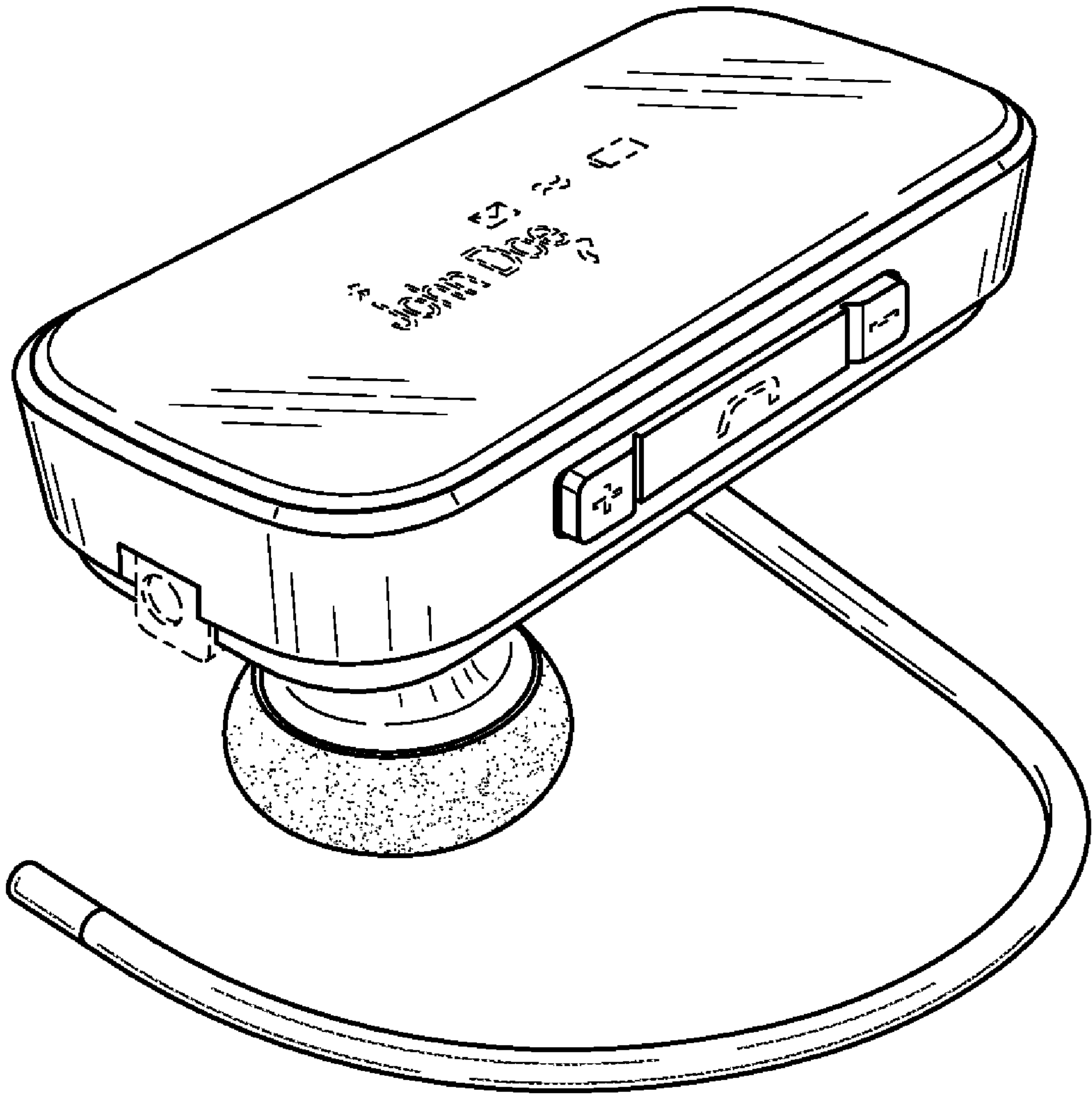


FIG. 3

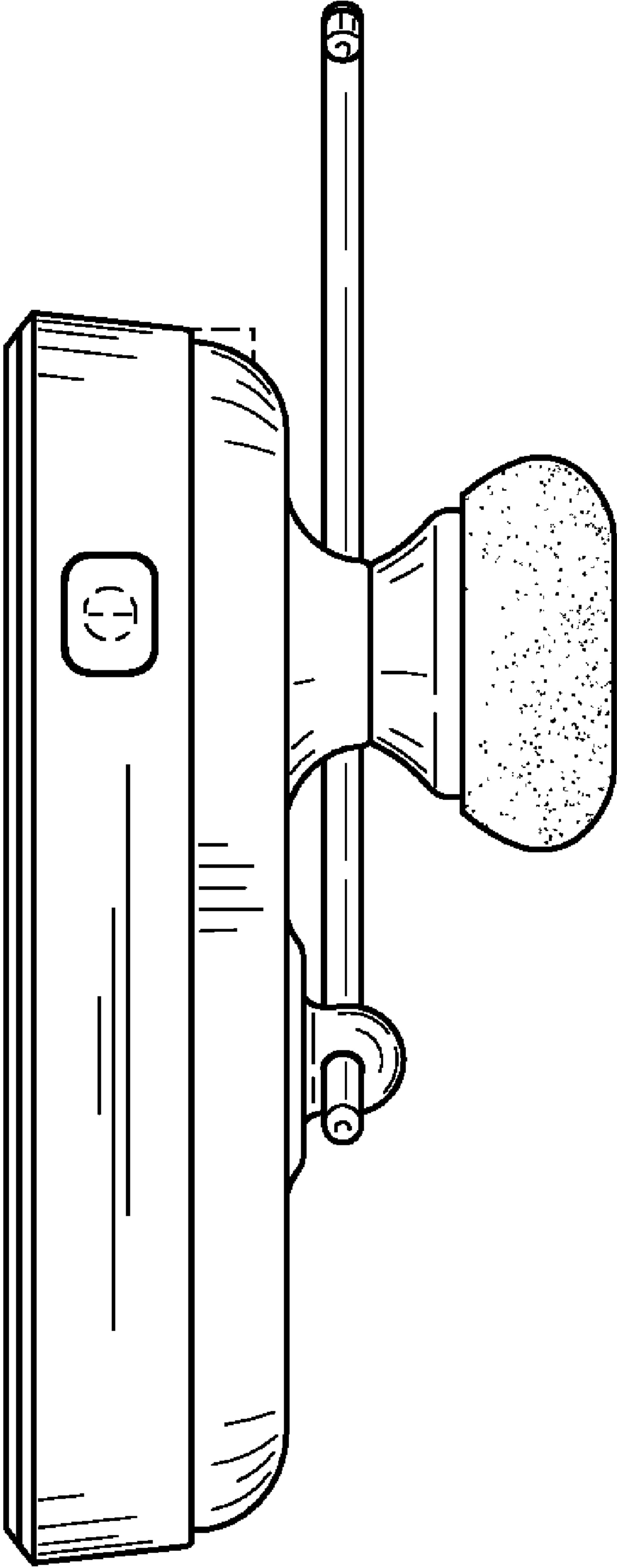


FIG. 4