

US00D588112S

(12) **United States Design Patent**  
**Komiyama**

(10) **Patent No.:** **US D588,112 S**  
(45) **Date of Patent:** **\*\* Mar. 10, 2009**

(54) **HEADPHONE**

D515,069 S 2/2006 Naito

(75) Inventor: **Jun Komiyama**, Tokyo (JP)

(Continued)

(73) Assignee: **Sony Corporation**, Tokyo (JP)

FOREIGN PATENT DOCUMENTS

(\*\*) Term: **14 Years**

|    |            |        |
|----|------------|--------|
| JP | D551683 S  | 4/1981 |
| JP | D1135300 S | 3/2002 |
| JP | D1183055 S | 8/2003 |
| JP | D1194938 S | 1/2004 |
| JP | D1231627 S | 2/2005 |
| JP | D1293193 S | 2/2007 |

(21) Appl. No.: **29/300,380**

(22) Filed: **Mar. 20, 2008**

OTHER PUBLICATIONS

(30) **Foreign Application Priority Data**

Oct. 15, 2007 (JP) ..... D2007-028145

Web page "ASHIDAVOX" <http://www.ashida.co.jp/index.html>, 3 sheets, Ashida Sound Co., Ltd. (1999-2007).

(51) **LOC (9) Cl.** ..... **14-01**

*Primary Examiner*—Paula Greene

(52) **U.S. Cl.** ..... **D14/223**; D14/205

(74) *Attorney, Agent, or Firm*—Rader, Fishman & Grauer, PLLC

(58) **Field of Classification Search** ..... D14/205,  
D14/206, 223, 188, 192, 240; 181/129, 130;  
379/430, 431, 420.01; 381/380, 381, 375,  
381/385; 455/575.2

See application file for complete search history.

(57) **CLAIM**

The ornamental design for a headphone, as shown and described.

(56) **References Cited**

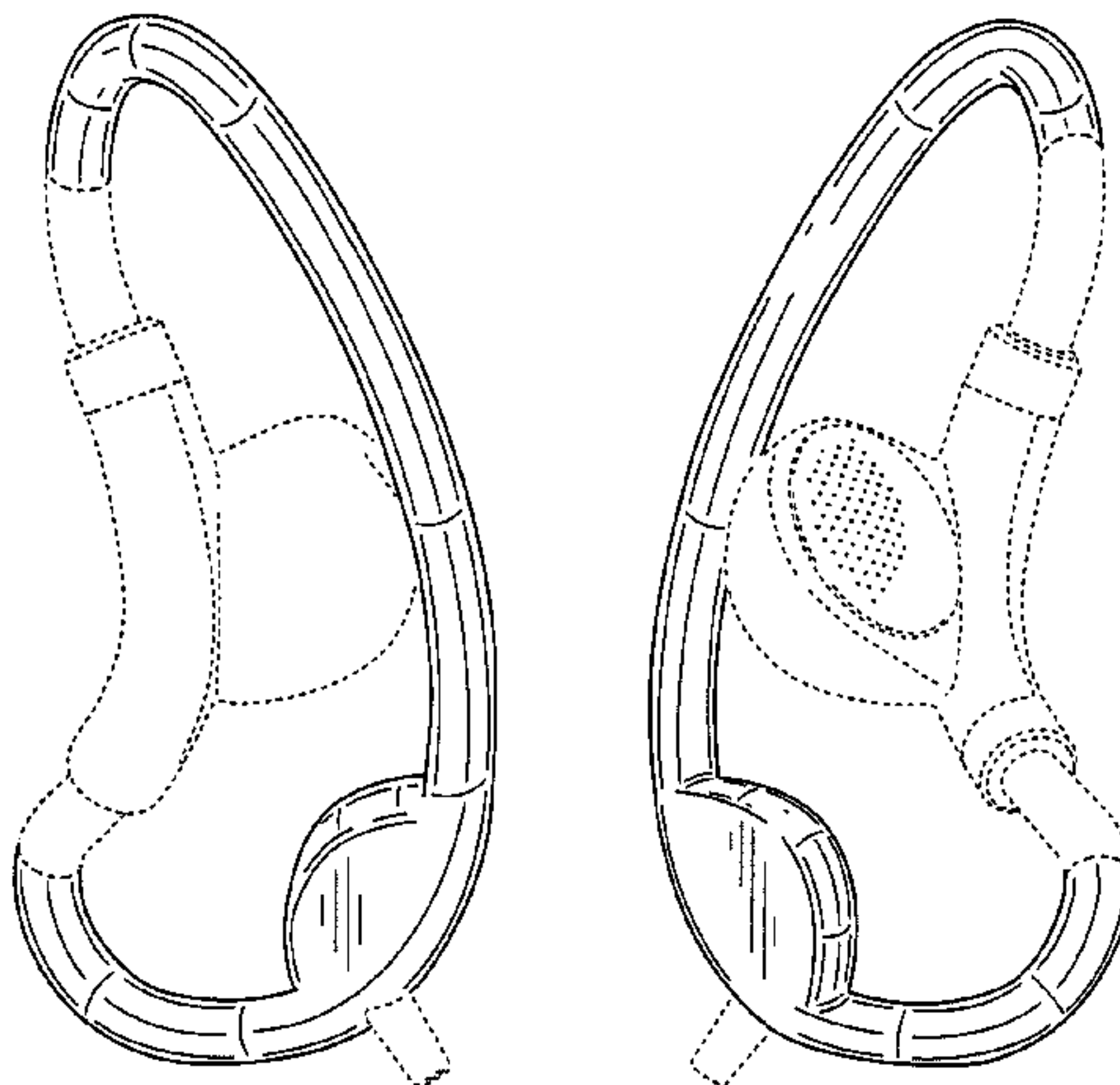
**DESCRIPTION**

U.S. PATENT DOCUMENTS

|               |         |                 |       |         |
|---------------|---------|-----------------|-------|---------|
| D176,810 S *  | 1/1956  | Norris          | ..... | D14/192 |
| 3,869,584 A * | 3/1975  | Wilde           | ..... | 379/430 |
| D237,090 S *  | 10/1975 | Yanagawa        | ..... | D14/205 |
| D242,724 S *  | 12/1976 | Brodie          | ..... | D14/205 |
| 4,020,297 A * | 4/1977  | Brodie          | ..... | 379/430 |
| D311,521 S *  | 10/1990 | Jonsson et al.  | ..... | D14/226 |
| D321,881 S *  | 11/1991 | Hopewell        | ..... | D14/192 |
| D350,961 S    | 9/1994  | Nakamura        |       |         |
| D375,959 S *  | 11/1996 | Davis et al.    | ..... | D14/223 |
| D419,564 S *  | 1/2000  | McDonald et al. | ..... | D14/223 |
| D420,010 S *  | 2/2000  | Pitel           | ..... | D14/240 |
| D449,295 S *  | 10/2001 | Smith et al.    | ..... | D14/223 |
| D462,944 S *  | 9/2002  | Yuen            | ..... | D14/206 |
| D464,638 S *  | 10/2002 | Huang           | ..... | D14/205 |
| D464,949 S *  | 10/2002 | DeKalb et al.   | ..... | D14/218 |
| D464,951 S *  | 10/2002 | Skulley et al.  | ..... | D14/223 |
| D465,209 S *  | 11/2002 | Rath            | ..... | D14/206 |
| D472,890 S *  | 4/2003  | Suzuki          | ..... | D14/223 |
| D504,672 S    | 5/2005  | Hirano          |       |         |
| D504,883 S *  | 5/2005  | Jacobson et al. | ..... | D14/192 |

FIG. 1 is a perspective front view of a headphone showing my new design;  
FIG. 2 is a perspective rear view of a headphone showing my new design;  
FIG. 3 is a front elevational view thereof;  
FIG. 4 is a rear elevational view thereof;  
FIG. 5 is a left side elevational view thereof;  
FIG. 6 is a right side elevational view thereof;  
FIG. 7 is a top plan view thereof; and,  
FIG. 8 is a bottom plan view thereof.  
The portions indicated in broken lines are for illustrative purposes only and form no part of the claimed design. The dot-dash broken lines shown in Drawings define but are not included in, the boundaries of the claimed design.

**1 Claim, 8 Drawing Sheets**



# US D588,112 S

Page 2

---

## U.S. PATENT DOCUMENTS

|           |      |        |                       |         |          |     |        |                   |         |
|-----------|------|--------|-----------------------|---------|----------|-----|--------|-------------------|---------|
| 7,006,649 | B2 * | 2/2006 | Natvig .....          | 381/371 | D561,738 | S * | 2/2008 | Ikeda et al. .... | D14/205 |
| 7,013,018 | B2 * | 3/2006 | Bogeskov-Jensen ..... | 381/381 | D565,024 | S * | 3/2008 | Kim et al. ....   | D14/205 |
| D523,845  | S *  | 6/2006 | Smith et al. ....     | D14/205 | D566,104 | S * | 4/2008 | Suzuki .....      | D14/223 |
| D524,793  | S *  | 7/2006 | Ohtsuki et al. ....   | D14/205 |          |     |        |                   |         |

\* cited by examiner

FIG.1

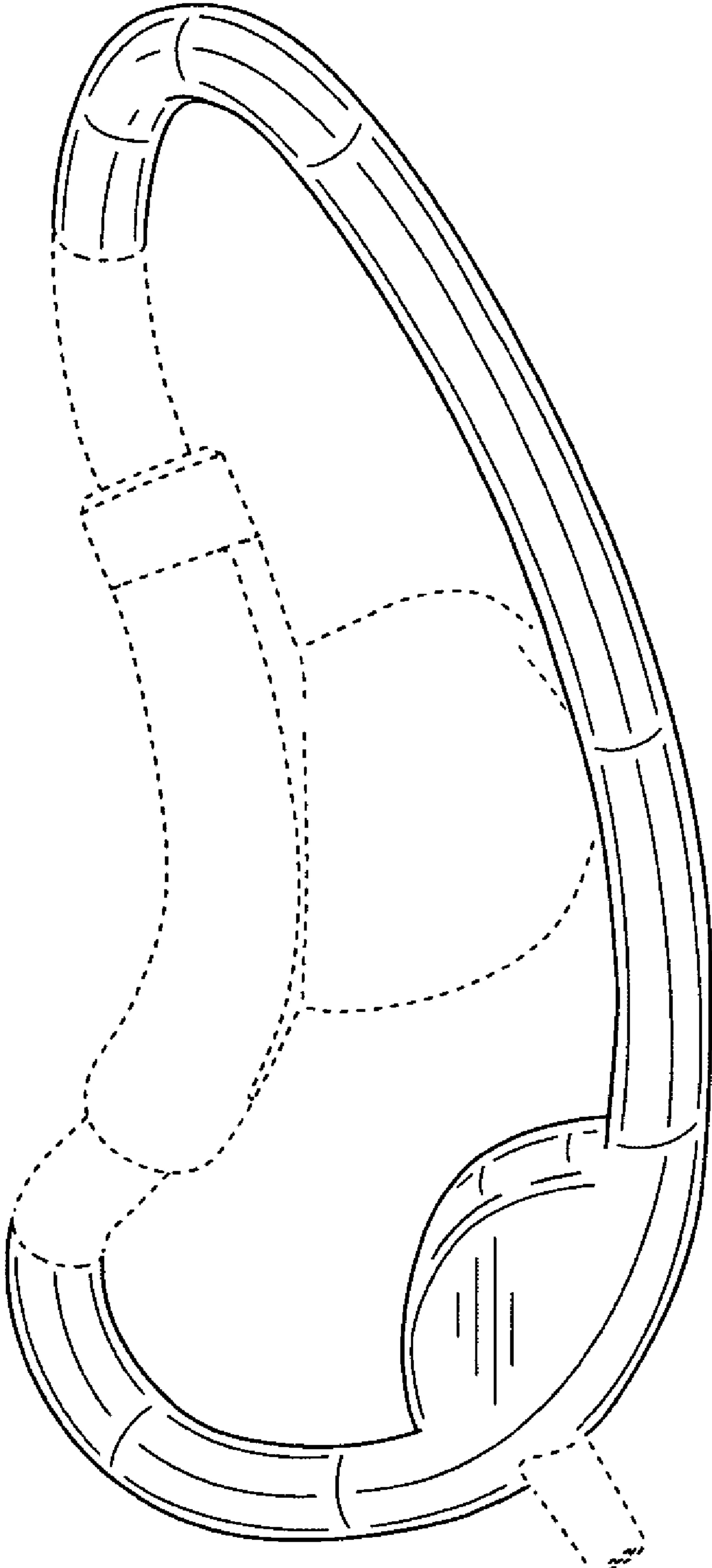


FIG.2

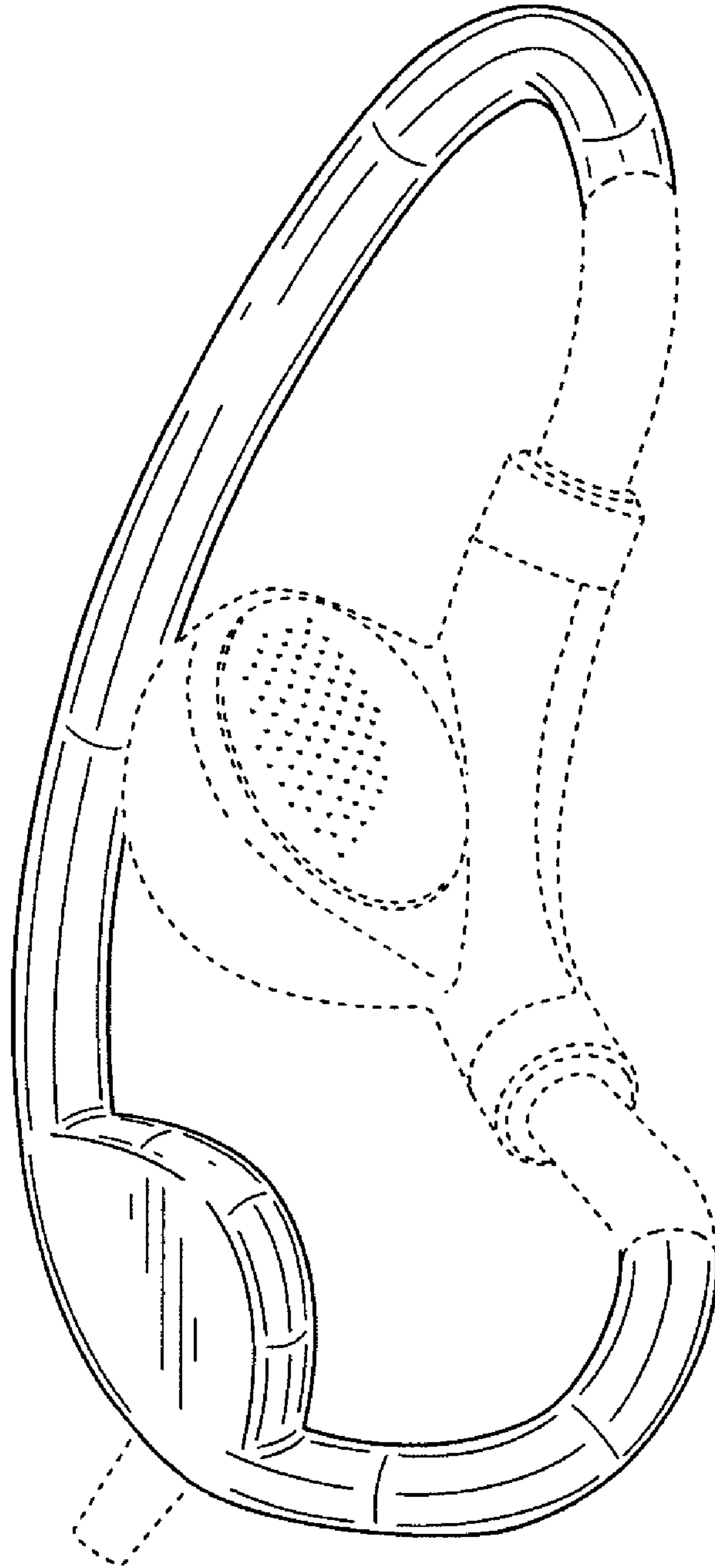


FIG.3

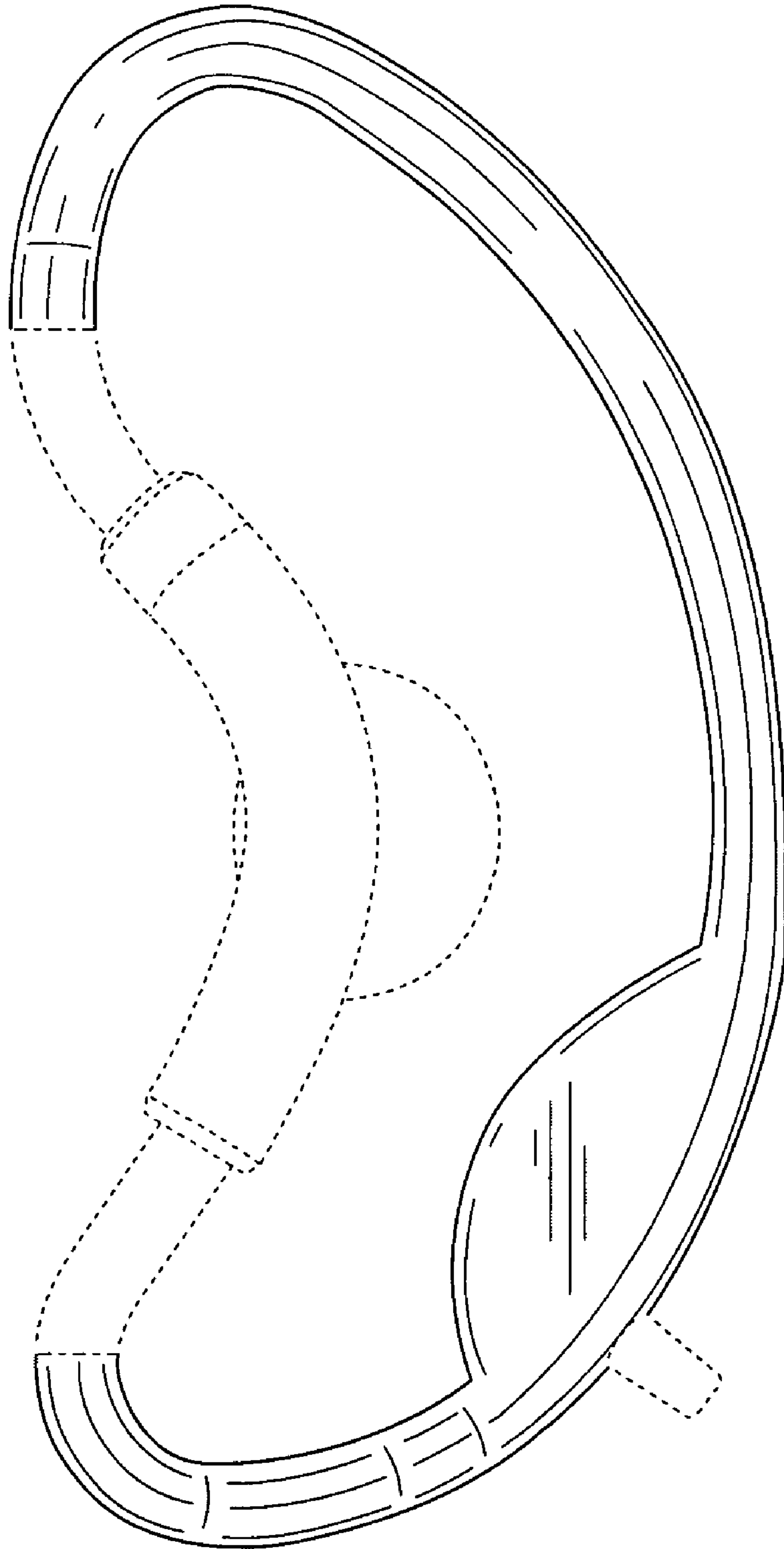


FIG.4

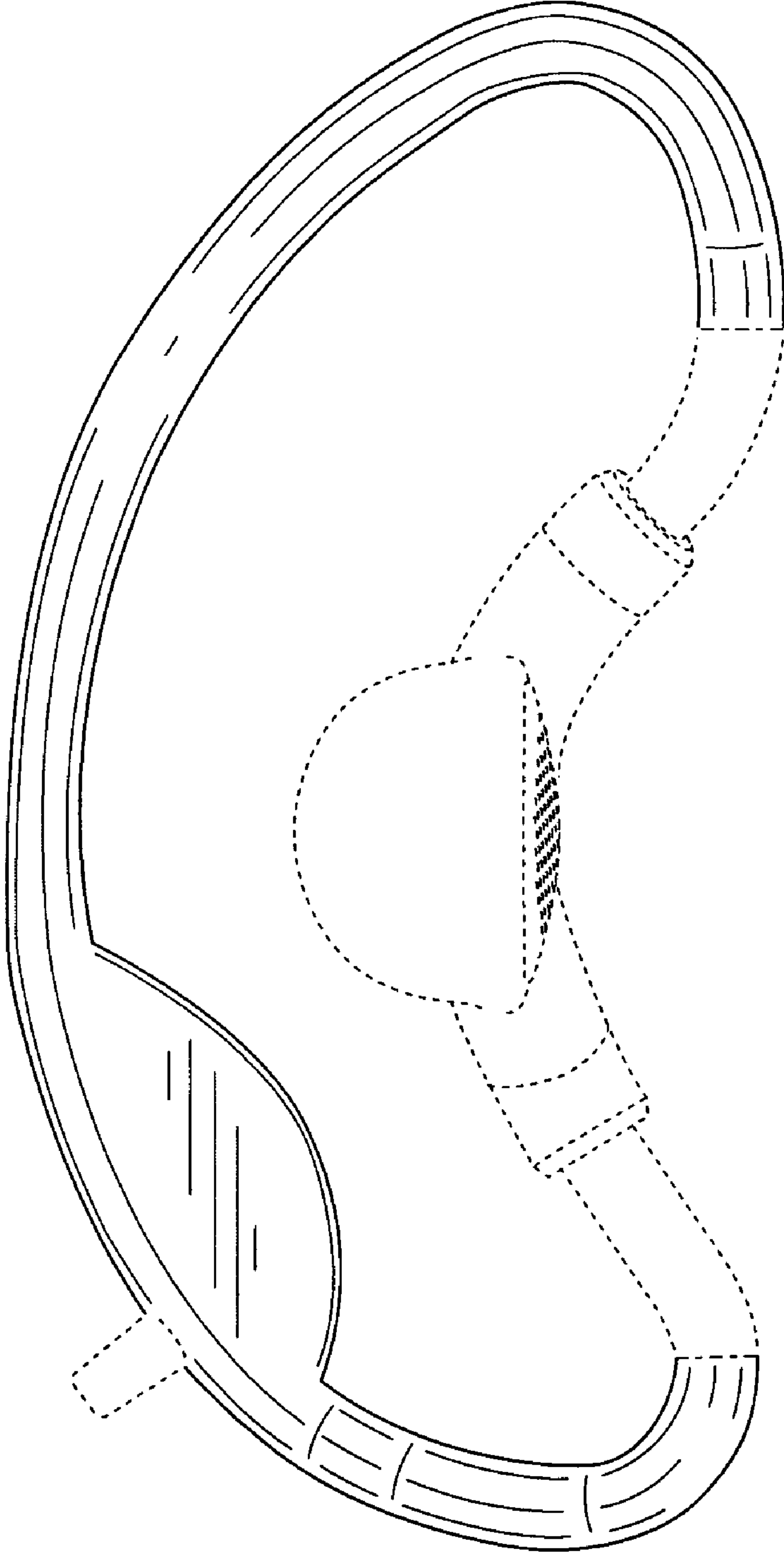




FIG. 5

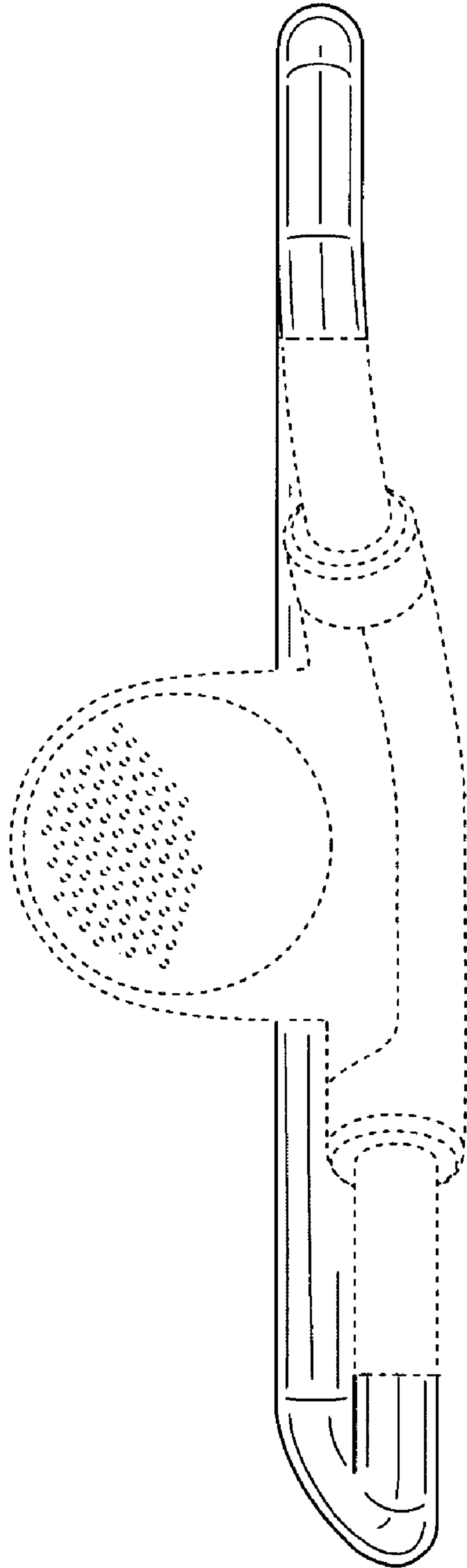


FIG.6

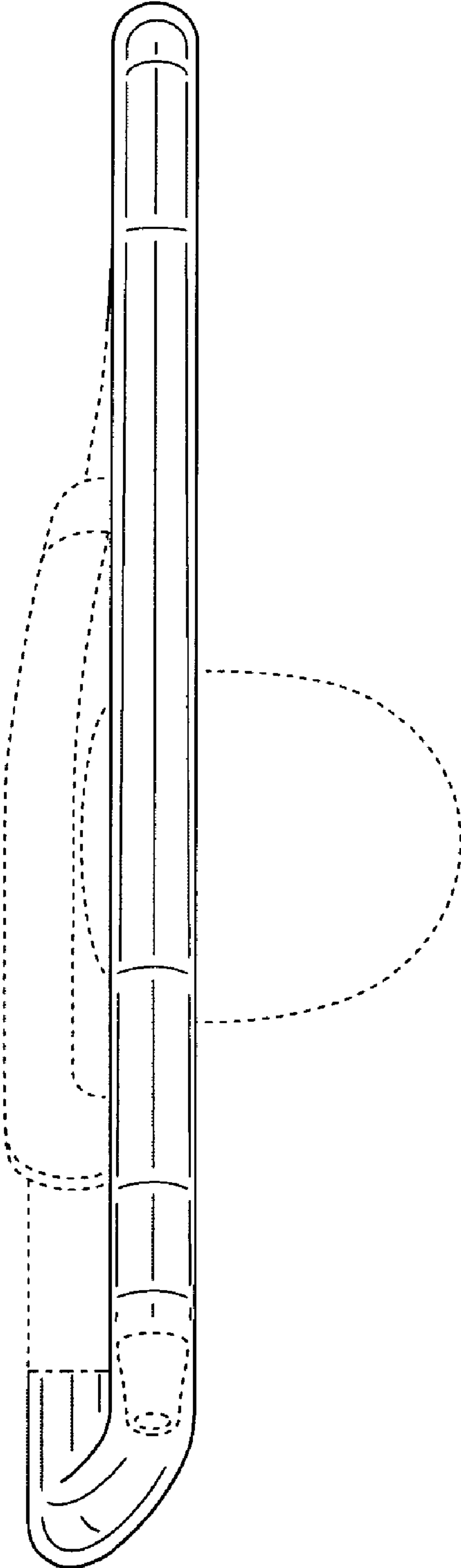




FIG.7

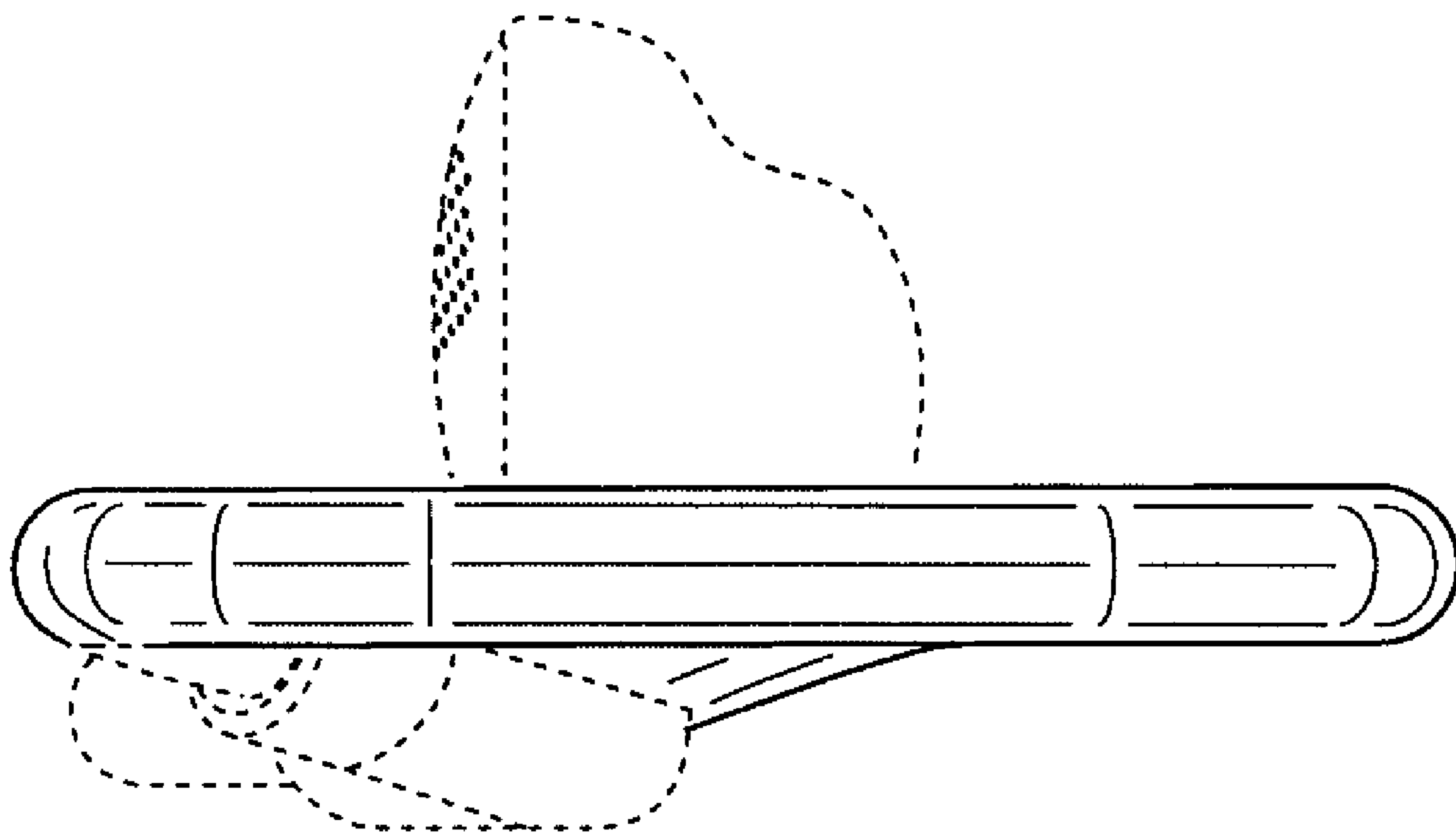


FIG. 8

