



US00D588111S

(12) **United States Design Patent**  
**Komiyama**

(10) **Patent No.:** **US D588,111 S**  
(45) **Date of Patent:** **\*\* Mar. 10, 2009**

(54) **HEADPHONE**

(75) Inventor: **Jun Komiyama**, Tokyo (JP)

(73) Assignee: **Sony Corporation**, Tokyo (JP)

(\*\*) Term: **14 Years**

(21) Appl. No.: **29/300,376**

(22) Filed: **Mar. 20, 2008**

(30) **Foreign Application Priority Data**

Oct. 15, 2007 (JP) ..... D2007-028164

(51) **LOC (9) Cl.** ..... **14-01**

(52) **U.S. Cl.** ..... **D14/223**

(58) **Field of Classification Search** ..... D14/205,  
D14/206, 223, 188, 192; D29/112; 2/209;  
181/129, 130, 135, 137; 379/430, 431, 433.01;  
381/379, 380, 381, 322; 455/351, 565, 344;  
D24/106, 110, 174; 128/866  
See application file for complete search history.

(56) **References Cited**

**U.S. PATENT DOCUMENTS**

671,138	A *	4/1901	Knudson	181/130
1,852,130	A *	4/1932	Schier	381/380
2,284,462	A *	5/1942	Williams	439/374
2,345,842	A *	4/1944	Valentine	128/866
2,377,739	A *	6/1945	Wyckoff	181/132
3,457,375	A *	7/1969	Haggerty	381/322
D229,312	S *	11/1973	Itagaki	D14/205
D232,863	S *	9/1974	Tong	D14/192
D233,444	S *	10/1974	Christian	D14/206
D246,259	S *	11/1977	Nishimura et al.	D14/205
4,071,717	A *	1/1978	Fidi et al.	381/372
4,550,227	A *	10/1985	Topholm	381/324
4,585,089	A *	4/1986	Topholm	181/135
D287,764	S *	1/1987	Topholm	D24/174
D287,765	S *	1/1987	Topholm	D24/174
4,691,383	A *	9/1987	DeMars	455/351
D304,944	S *	12/1989	Behringer	D14/188
4,972,492	A *	11/1990	Tanaka et al.	381/380

D326,654	S *	6/1992	Brown	D14/192
D377,796	S	2/1997	Hayashi	
5,655,026	A *	8/1997	Peters et al.	381/385
D383,757	S *	9/1997	Dobrusskin et al.	D14/223
5,677,964	A *	10/1997	Sun	381/385
D391,576	S *	3/1998	Mullin et al.	D14/223
5,812,680	A *	9/1998	Glendon	381/322
D399,206	S	10/1998	Yasutomi et al.	
5,832,098	A *	11/1998	Chen	381/370
D439,574	S *	3/2001	Katayama	D14/156
D444,140	S	6/2001	Ishibashi	
D453,015	S	1/2002	Yuyama	
D457,515	S	5/2002	Masamitsu et al.	
D477,820	S	7/2003	Suzuki et al.	

(Continued)

*Primary Examiner*—Paula Greene

(74) *Attorney, Agent, or Firm*—Rader, Fishman & Grauer, PLLC

(57) **CLAIM**

The ornamental design for a headphone, as shown and described.

**DESCRIPTION**

FIG. 1 is a perspective view of a headphone showing my new design;

FIG. 2 is a front elevational view thereof;

FIG. 3 is a rear elevational view thereof;

FIG. 4 is a left side elevational view thereof;

FIG. 5 is a right side elevational view thereof;

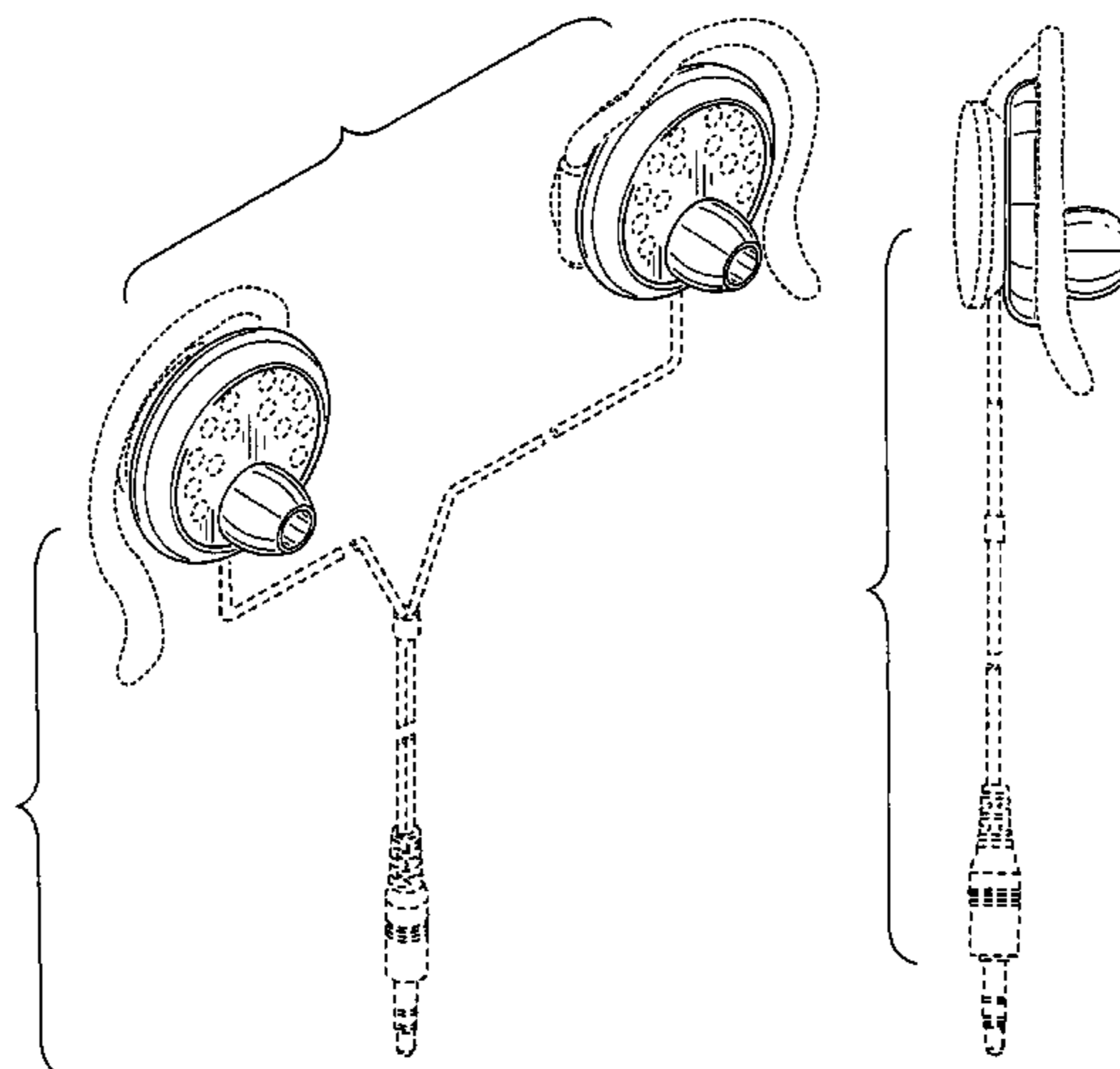
FIG. 6 is a top plan view thereof; and,

FIG. 7 is a bottom plan view thereof.

The portions indicated in broken lines are for illustrative purposes only and form no part of the claimed design.

The broken away lines in the drawing disclosure indicate indeterminate length of the cable connected to the headphone, which is not claimed.

**1 Claim, 7 Drawing Sheets**



# US D588,111 S

Page 2

---

## U.S. PATENT DOCUMENTS

D481,375 S	10/2003	Suzuki							
D500,179 S	*	12/2004	Coutant et al. ....	D29/122	7,120,267 B2 *	10/2006	Ito et al. ....	381/375	
D505,132 S	*	5/2005	Linville et al. ....	D14/223	D543,972 S *	6/2007	Taylor .....	D14/223	
D505,411 S	*	5/2005	Sakai .....	D14/192	D557,684 S *	12/2007	Pundsack et al. ....	D14/205	
D512,417 S	*	12/2005	Hirakawa et al. ....	D14/223	D564,494 S *	3/2008	Lee .....	D14/205	
					D568,290 S *	5/2008	Wikel .....	D14/205	
					D570,824 S *	6/2008	Schultz et al. ....	D14/205	

\* cited by examiner

FIG. 1

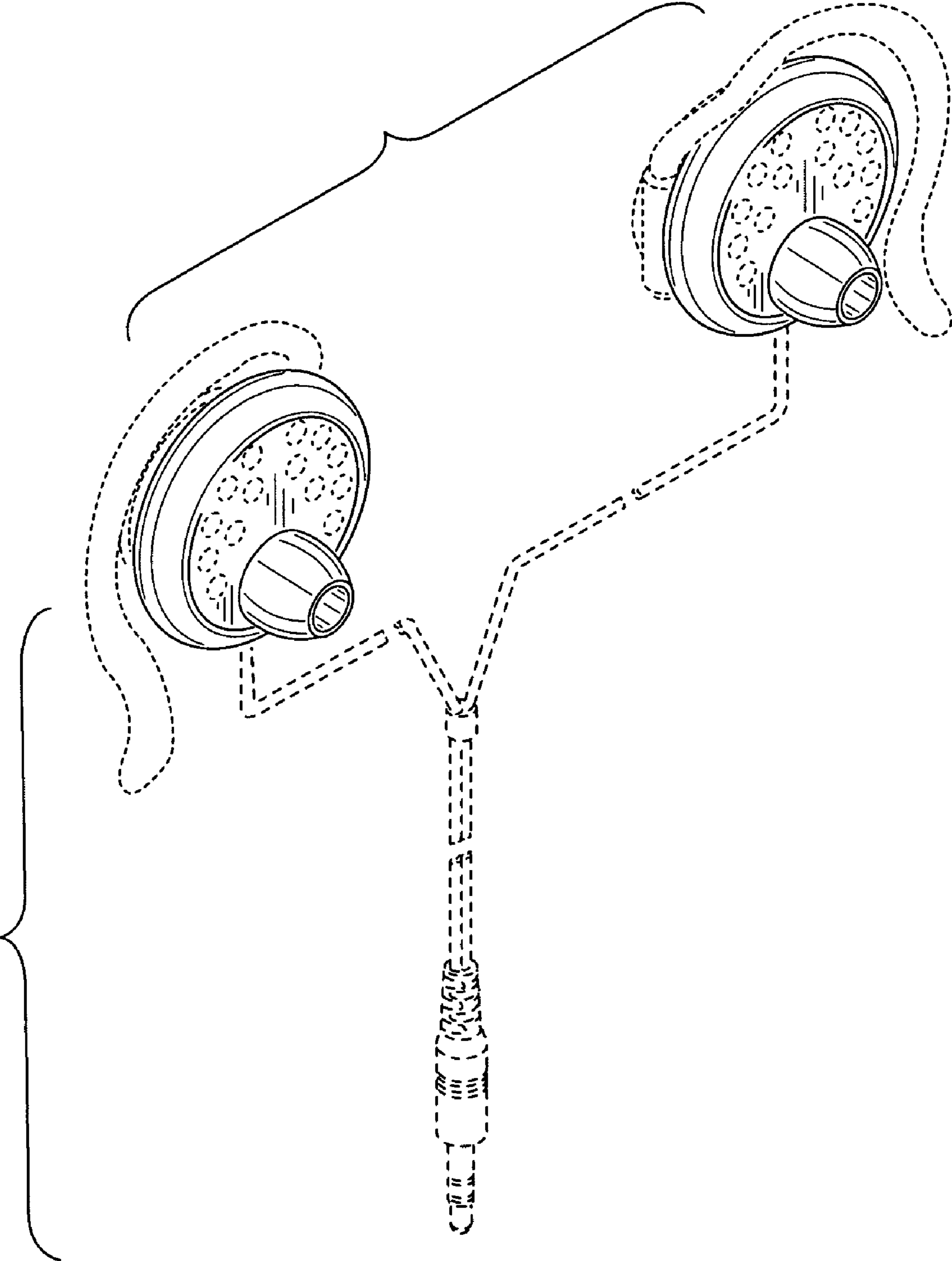


FIG.2

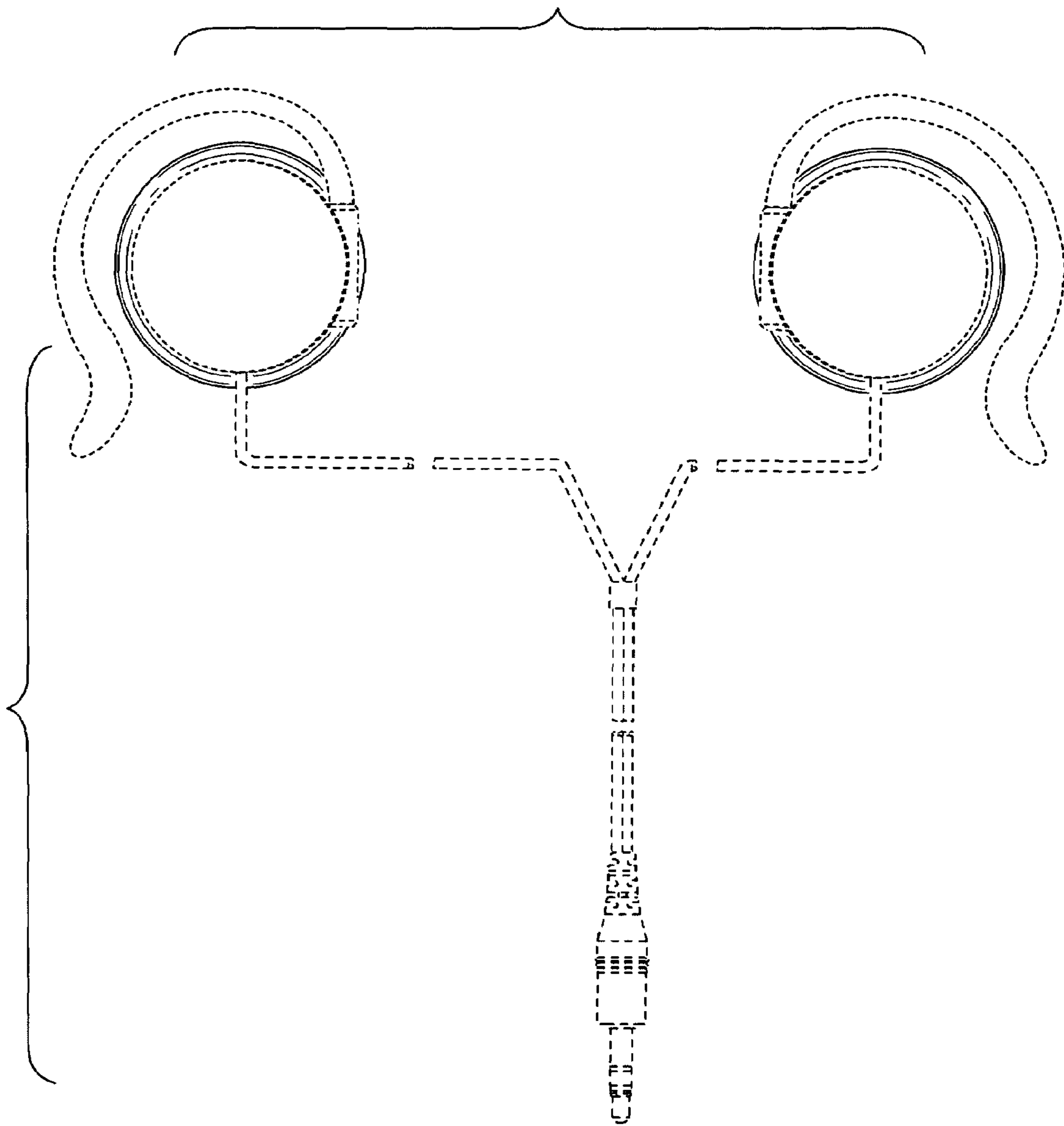


FIG.3

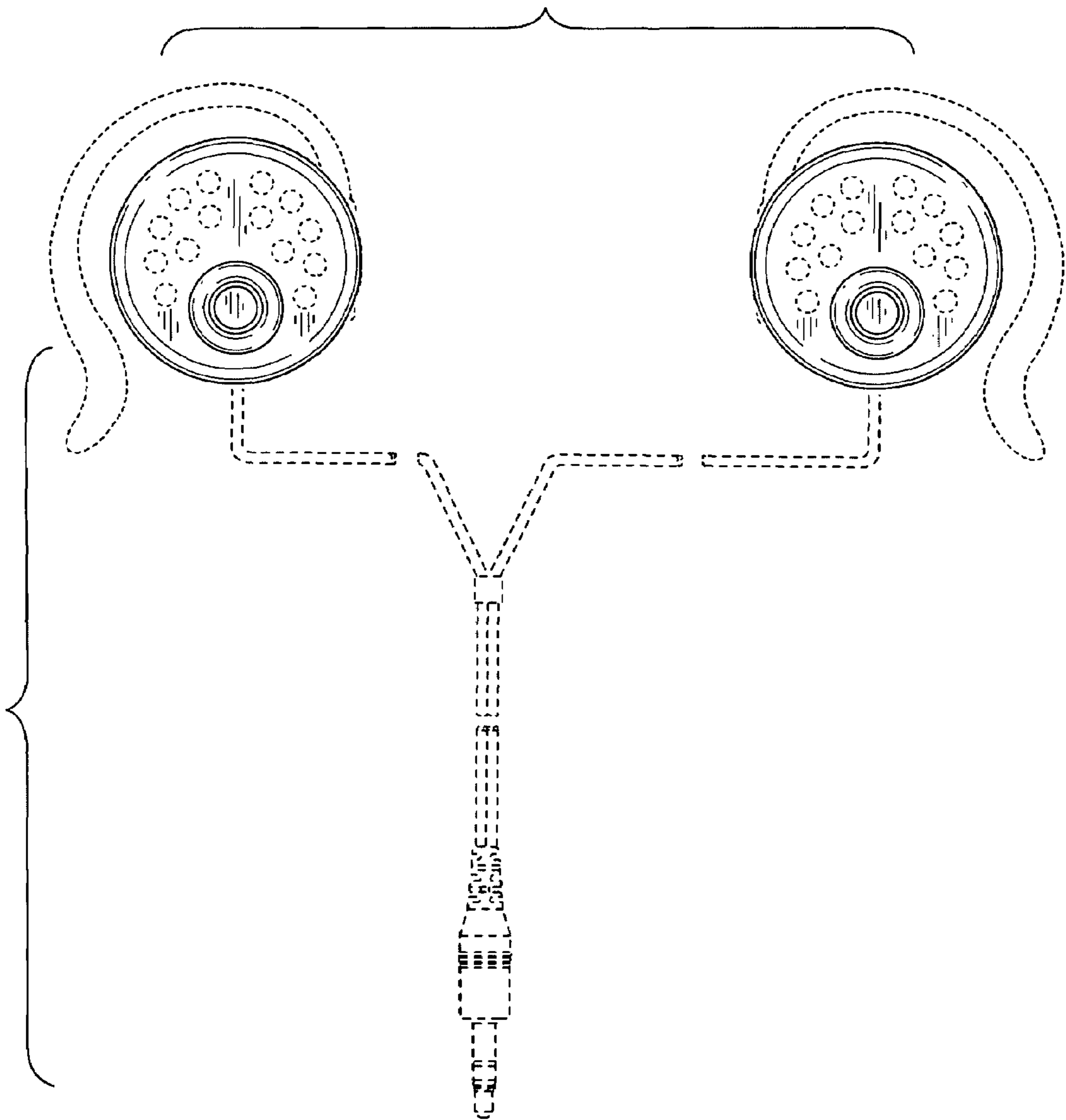


FIG.4

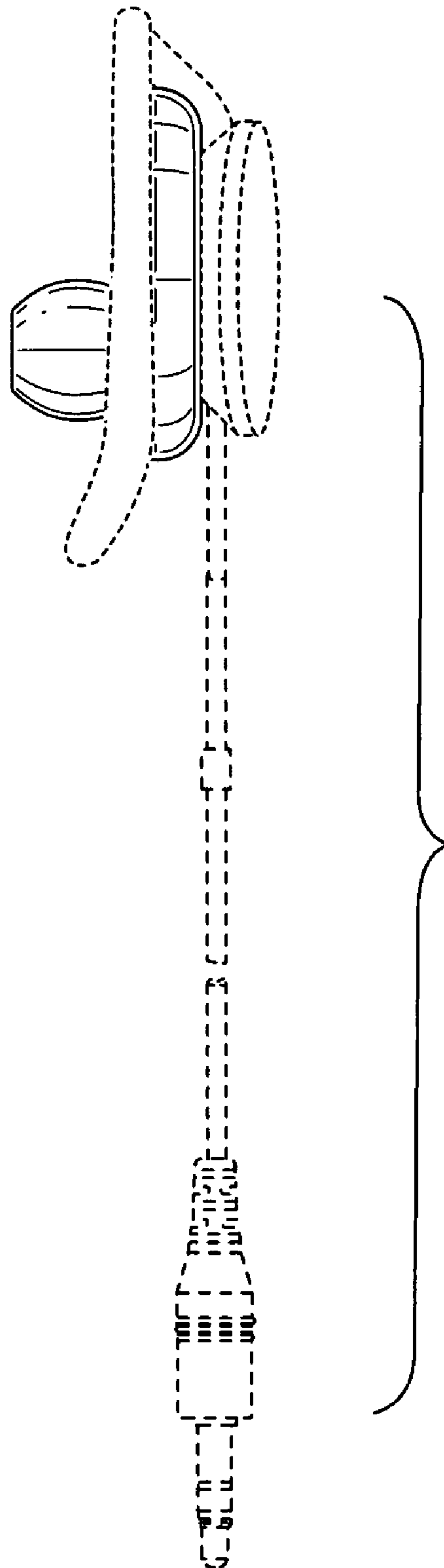


FIG.5

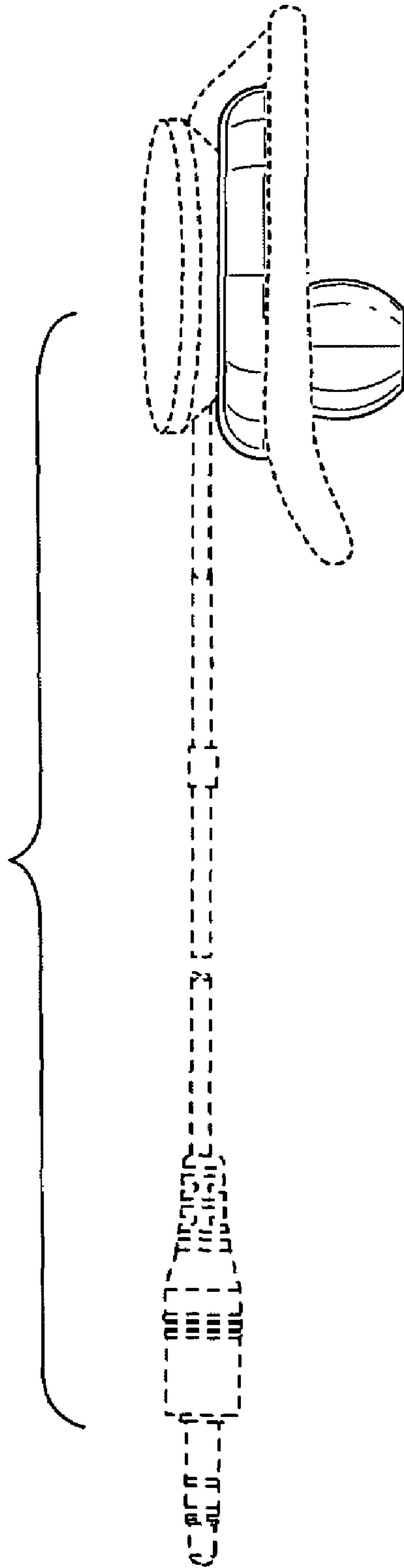


FIG.6

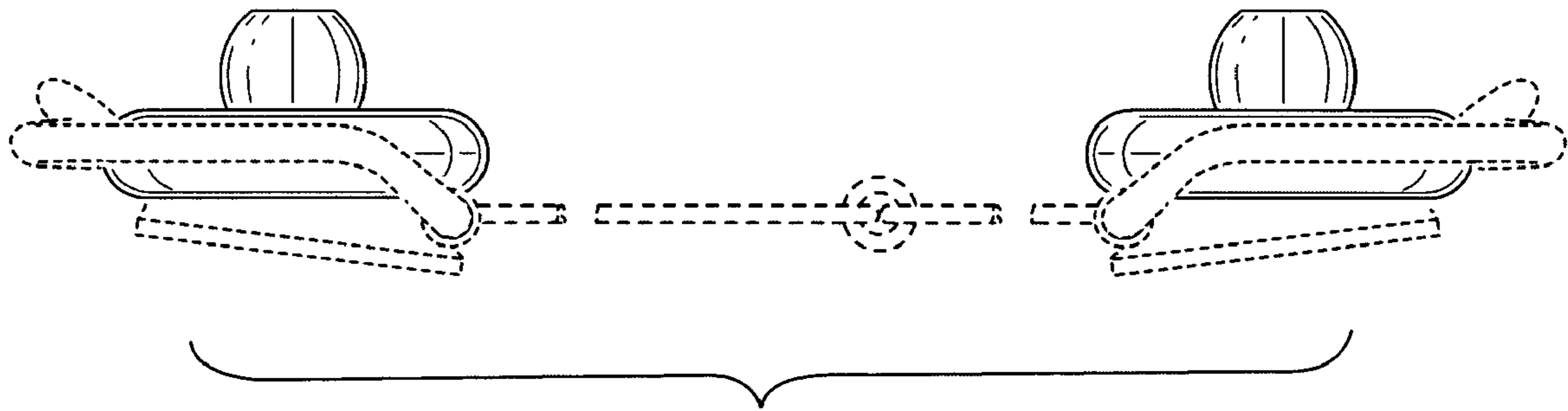




FIG.7

