



US00D588109S

(12) **United States Design Patent**
Miyazato

(10) **Patent No.:** **US D588,109 S**
(45) **Date of Patent:** **** Mar. 10, 2009**

(54) **CONTROL PANEL**

JP 1294160 2/2007

(75) Inventor: **Koji Miyazato**, Kobe (JP)

(73) Assignee: **Fujitsu Ten Limited**, Kobe (JP)

(**) Term: **14 Years**

(21) Appl. No.: **29/274,661**

(22) Filed: **May 14, 2007**

(30) **Foreign Application Priority Data**

Nov. 15, 2006 (JP) 2006-031377

(51) **LOC (9) Cl.** **14-01**

(52) **U.S. Cl.** **D14/217; D14/258**

(58) **Field of Classification Search** D10/65,
D10/80; D12/192; D14/496, 157, 257-258,
D14/299, 217, 126, 132, 168, 500, 240-241;
455/344-351; 369/75.11, 75.21, 77.11, 77.21;
720/612, 619, 647, 655; D8/312, 397
See application file for complete search history.

(56) **References Cited**

U.S. PATENT DOCUMENTS

D423,514 S * 4/2000 Shindo D14/257
D438,193 S * 2/2001 Hakoda D14/217
D444,146 S * 6/2001 Weiland et al. D14/258
D451,487 S * 12/2001 Ng D14/500
D495,678 S * 9/2004 Uehara D14/168
D496,648 S * 9/2004 Uehara D14/168

FOREIGN PATENT DOCUMENTS

JP 1278734 8/2006

OTHER PUBLICATIONS

U.S. Appl. No. 29/274,660, filed May 14, 2007.
U.S. Appl. No. 29/274,667, filed May 14, 2007.
U.S. Appl. No. 29/274,671, filed May 14, 2007.
U.S. Appl. No. 29/274,668, filed May 14, 2007.

* cited by examiner

Primary Examiner—Nanda Bondade

(74) *Attorney, Agent, or Firm*—Oliff & Berridge, PLC

(57) **CLAIM**

The ornamental design for a control panel, as shown and described.

DESCRIPTION

FIG. 1 is a perspective view of a control panel showing my new design;

FIG. 2 is a front view thereof;

FIG. 3 is a left side view thereof;

FIG. 4 is a right side view thereof;

FIG. 5 is a top plan view thereof;

FIG. 6 is a bottom plan view thereof;

FIG. 7 is a perspective view showing the front panel opening thereof; and,

FIG. 8 is a perspective view showing the monitor (the navigation device) detaching.

The broken line shown in FIGS. 1 to 8 is for illustrative purposes only and forms no part of the claimed design.

1 Claim, 4 Drawing Sheets

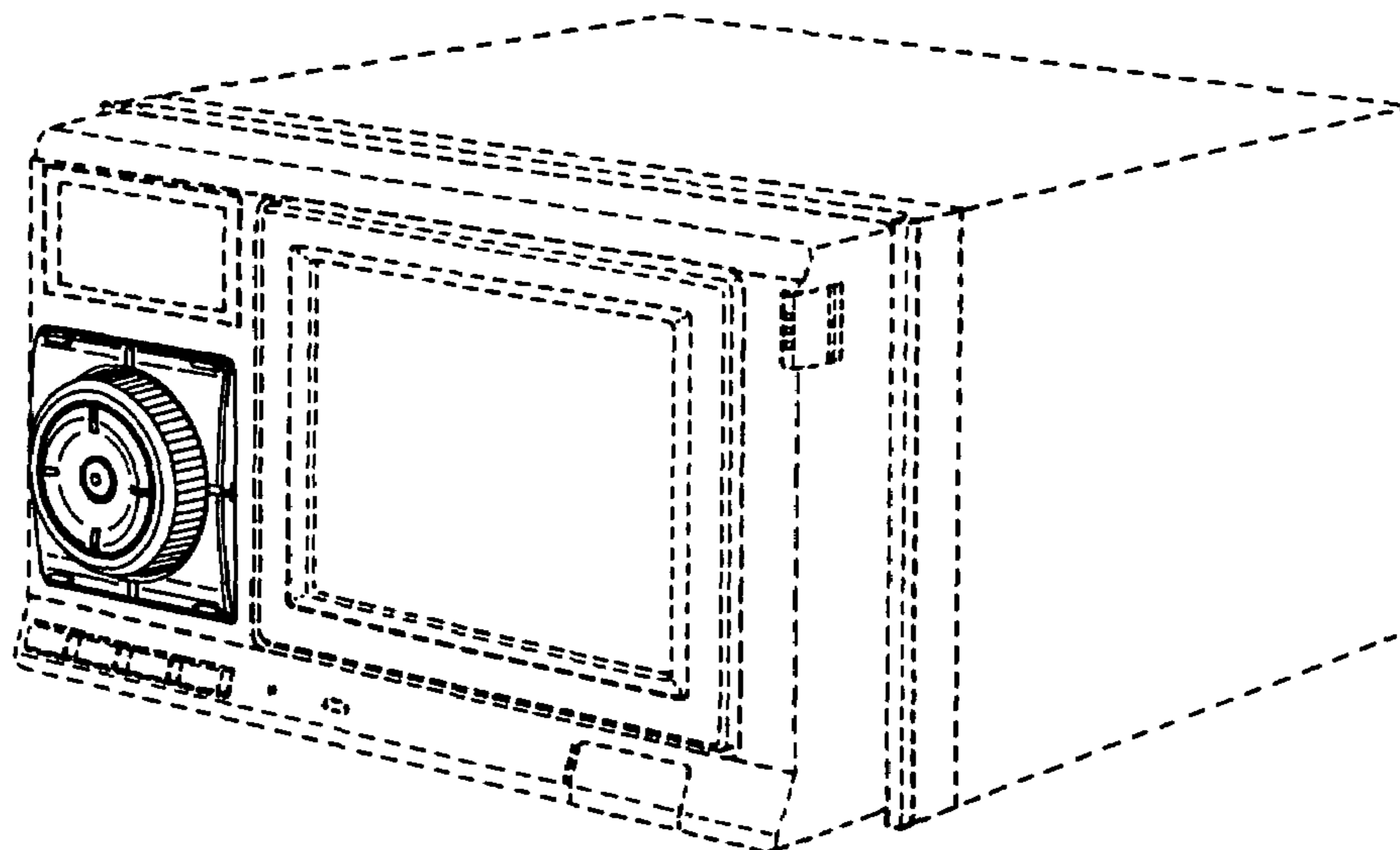


Fig. 1

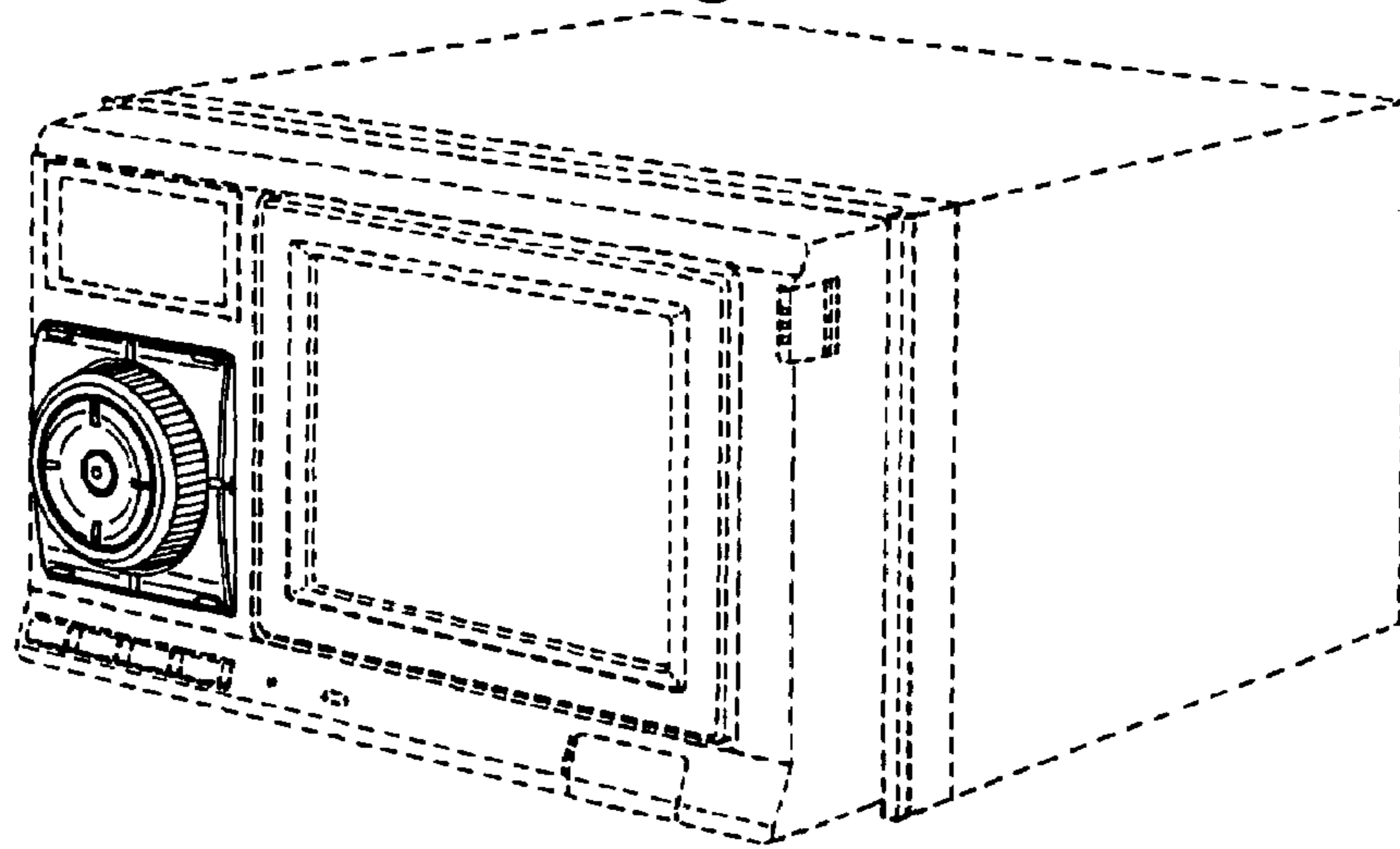


Fig. 2

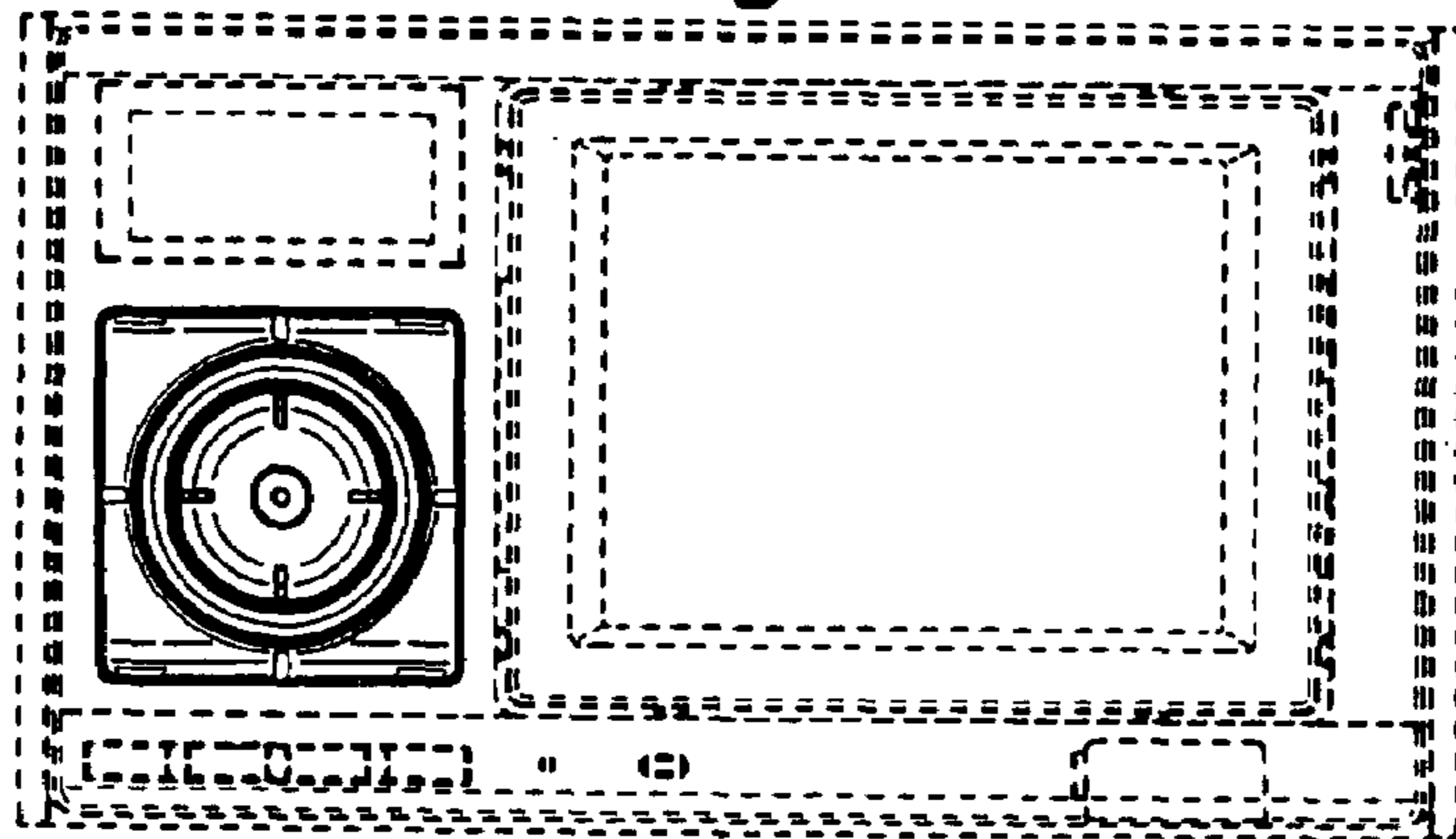


Fig. 3

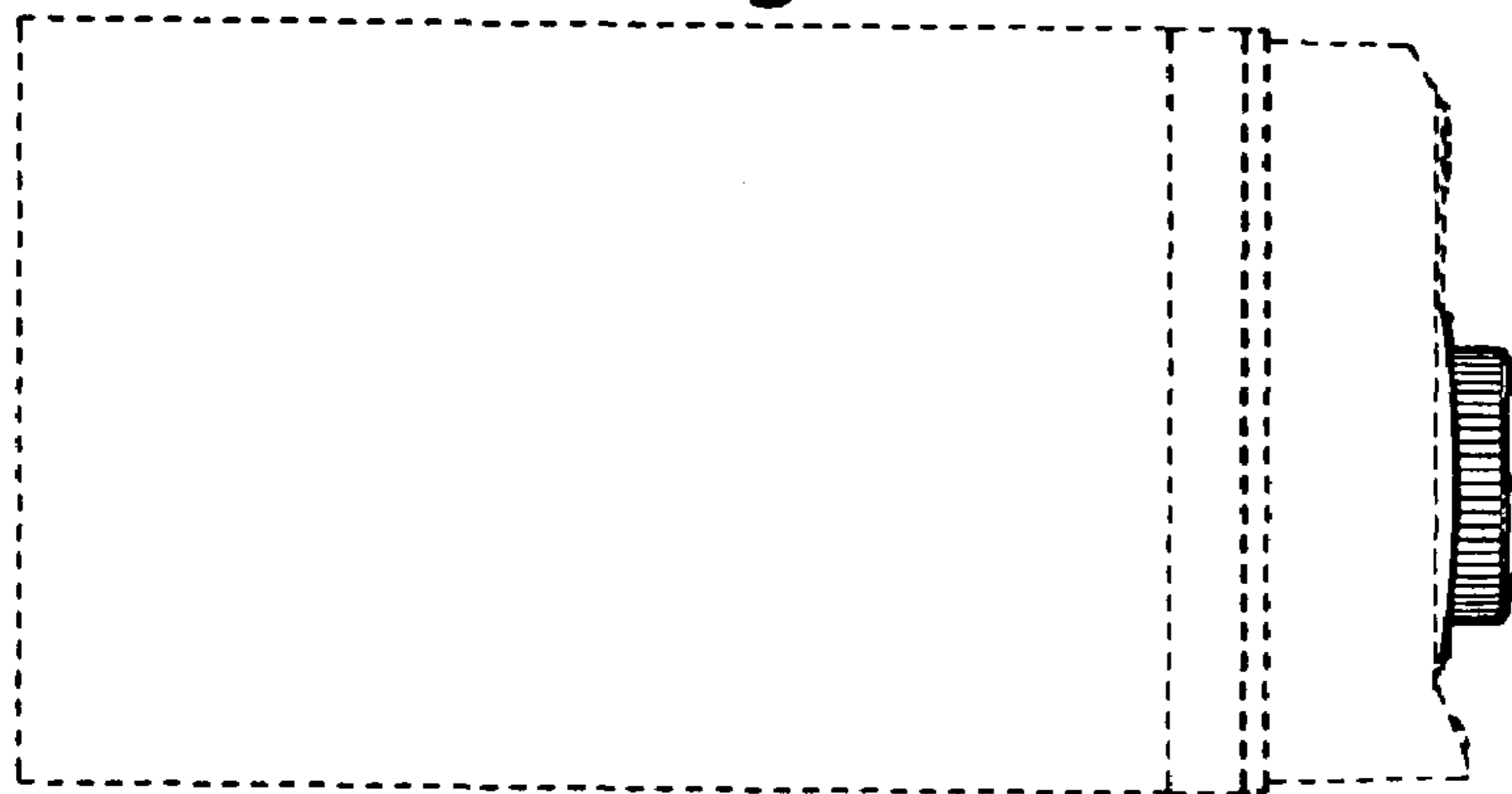


Fig.4

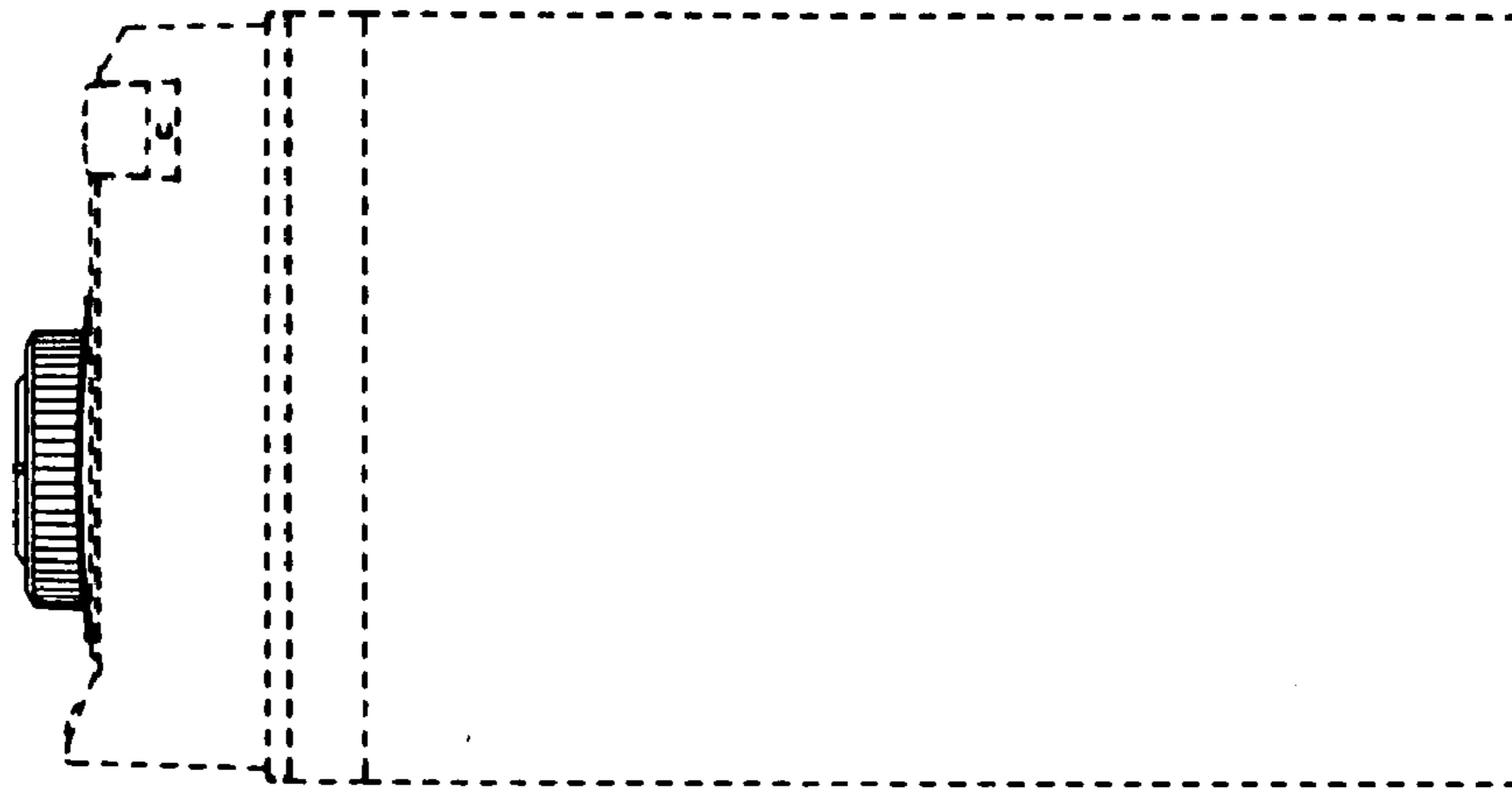


Fig.5

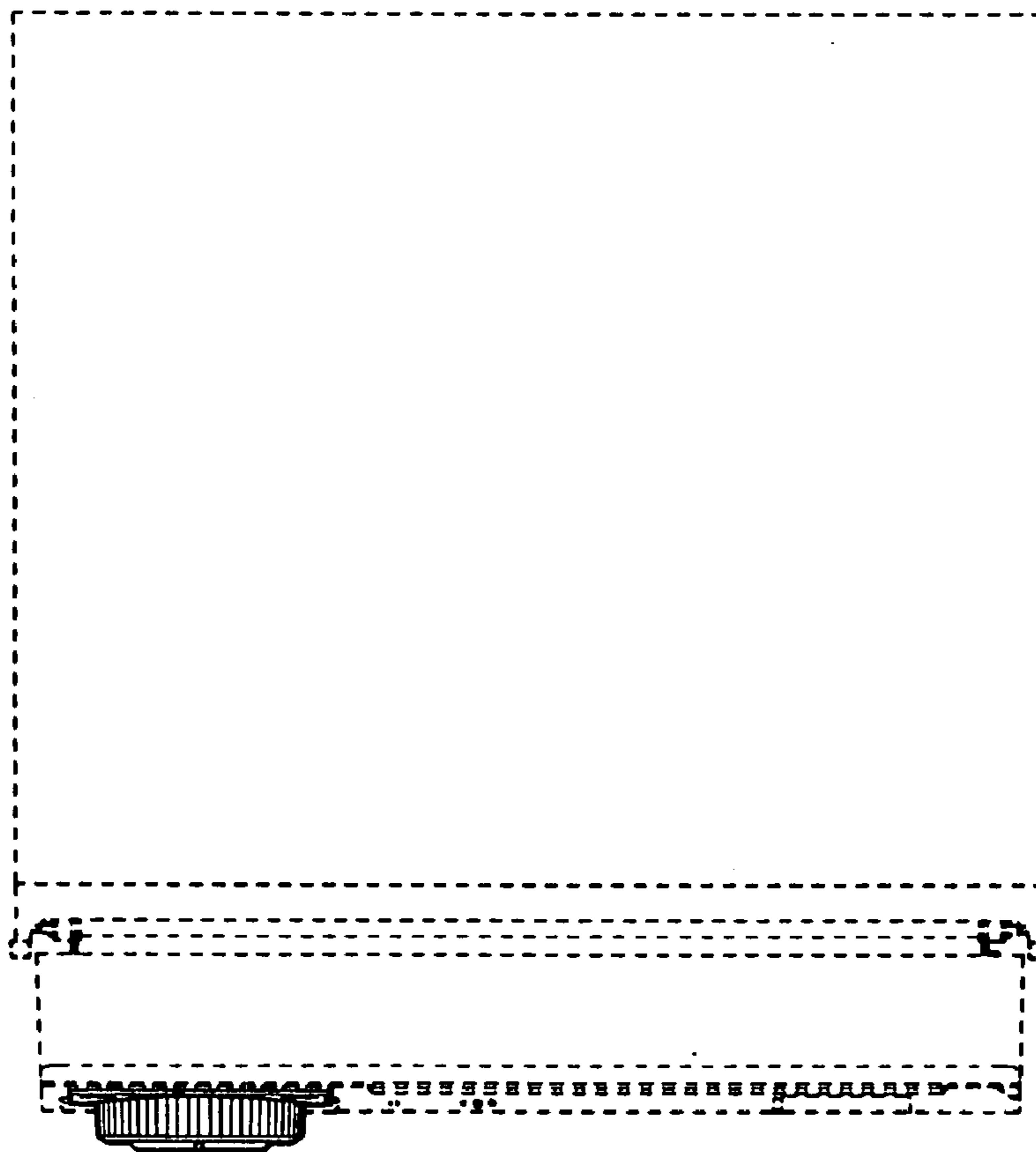


Fig.6

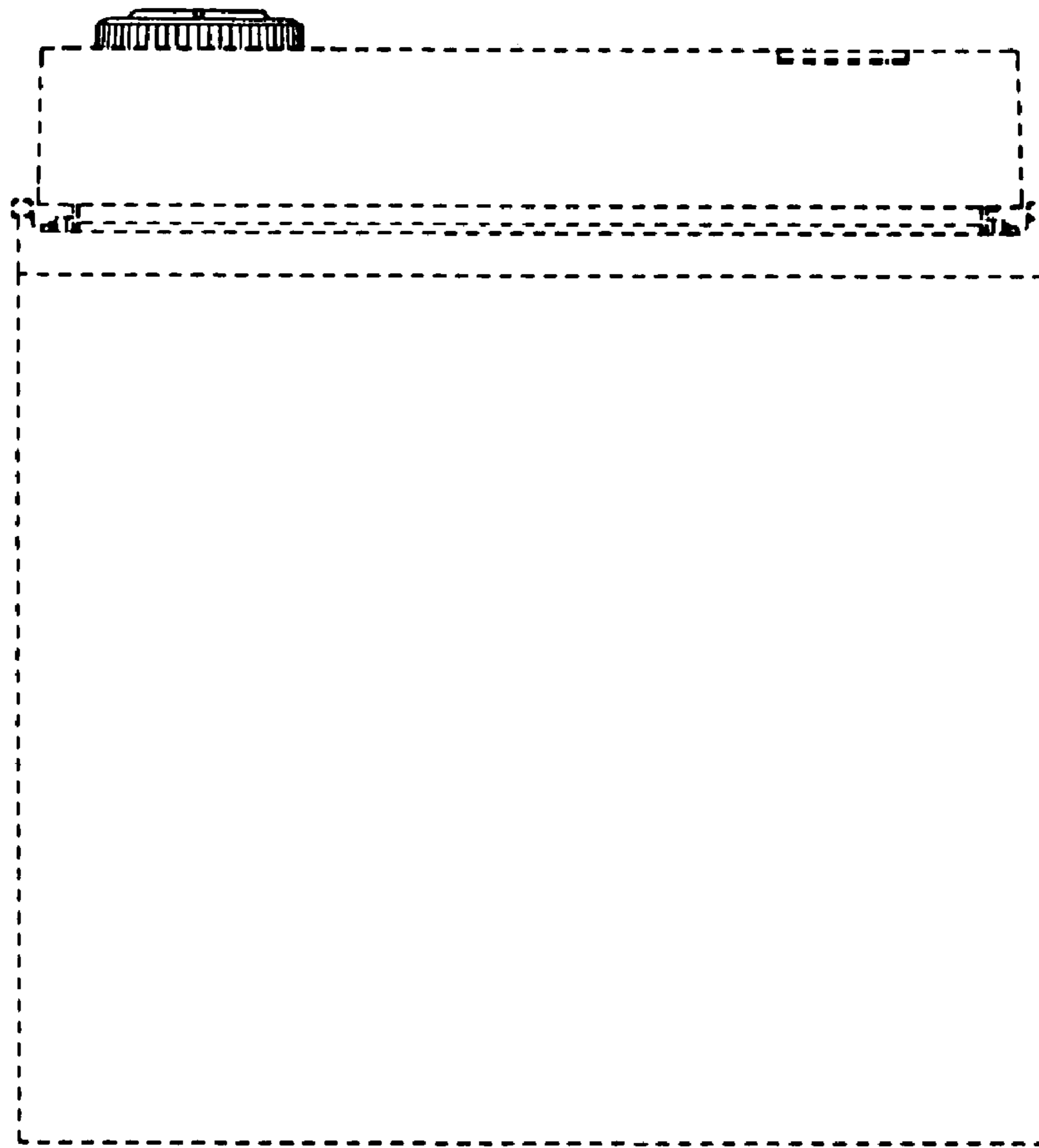


Fig. 7

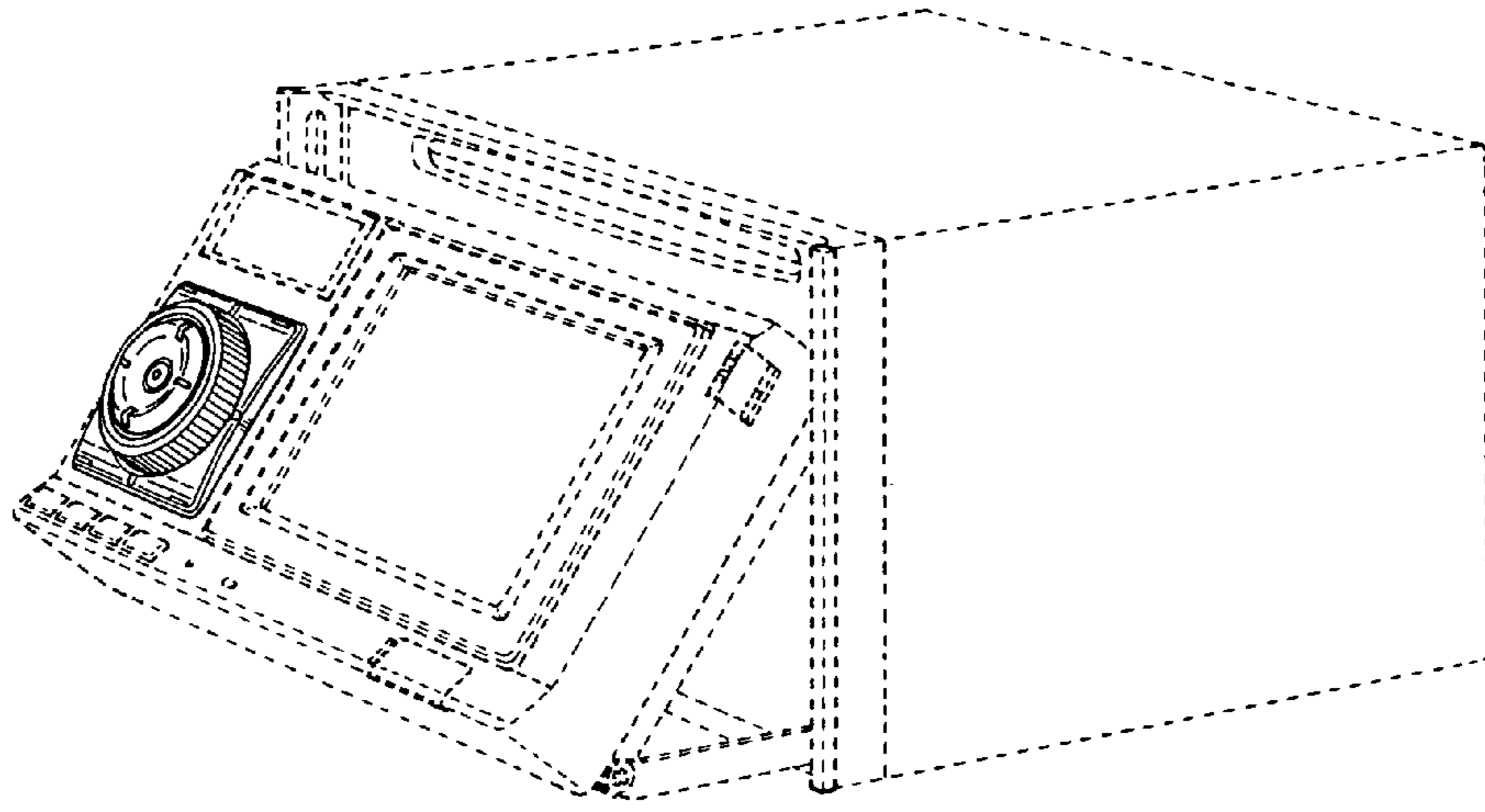


Fig. 8

