



US00D588108S

(12) **United States Design Patent**
Warren et al.

(10) **Patent No.:** **US D588,108 S**
(45) **Date of Patent:** **** Mar. 10, 2009**

(54) **LOUDSPEAKER**

D501,845 S * 2/2005 Allen D14/216

(75) Inventors: **Morten Villiers Warren**, Surrey (GB);
Marcus Andrew Hoggarth, Herts (GB);
Paul Thomas Harris, London (GB)

(73) Assignee: **B&W Group Ltd**, Worthing (GB)

(**) Term: **14 Years**

(21) Appl. No.: **29/287,785**

(22) Filed: **Sep. 19, 2007**

(30) **Foreign Application Priority Data**

Mar. 22, 2007 (EM) 000696174

(51) **LOC (9) Cl.** **14-01**

(52) **U.S. Cl.** **D14/216**

(58) **Field of Classification Search** D14/204,
D14/209-216; 181/143-144, 147-148, 150,
181/157, 198-199, 151, 153; 381/300-302,
381/306, 333, 345, 361-364, 386-388, 332,
381/336

See application file for complete search history.

(56) **References Cited**

U.S. PATENT DOCUMENTS

4,756,382 A * 7/1988 Hudson, III 181/153
D475,695 S * 6/2003 Petronio D14/216
D496,351 S * 9/2004 Allen D14/211
D497,903 S * 11/2004 Chin et al. D14/207

OTHER PUBLICATIONS

Charles Stephenson, "Zeppelins: German Airships 1900-40", Illustration p. C, Osprey Publishing, Oxford, United Kingdom (2004).
Saul David, "Zulu. The Heroism and Tragedy of the Zulu War of 1879", Illustrations 7 and 8, Penguin Group, London, England (2004).

* cited by examiner

Primary Examiner—Nanda Bondade

(74) *Attorney, Agent, or Firm*—Buchanan Ingersoll & Rooney PC

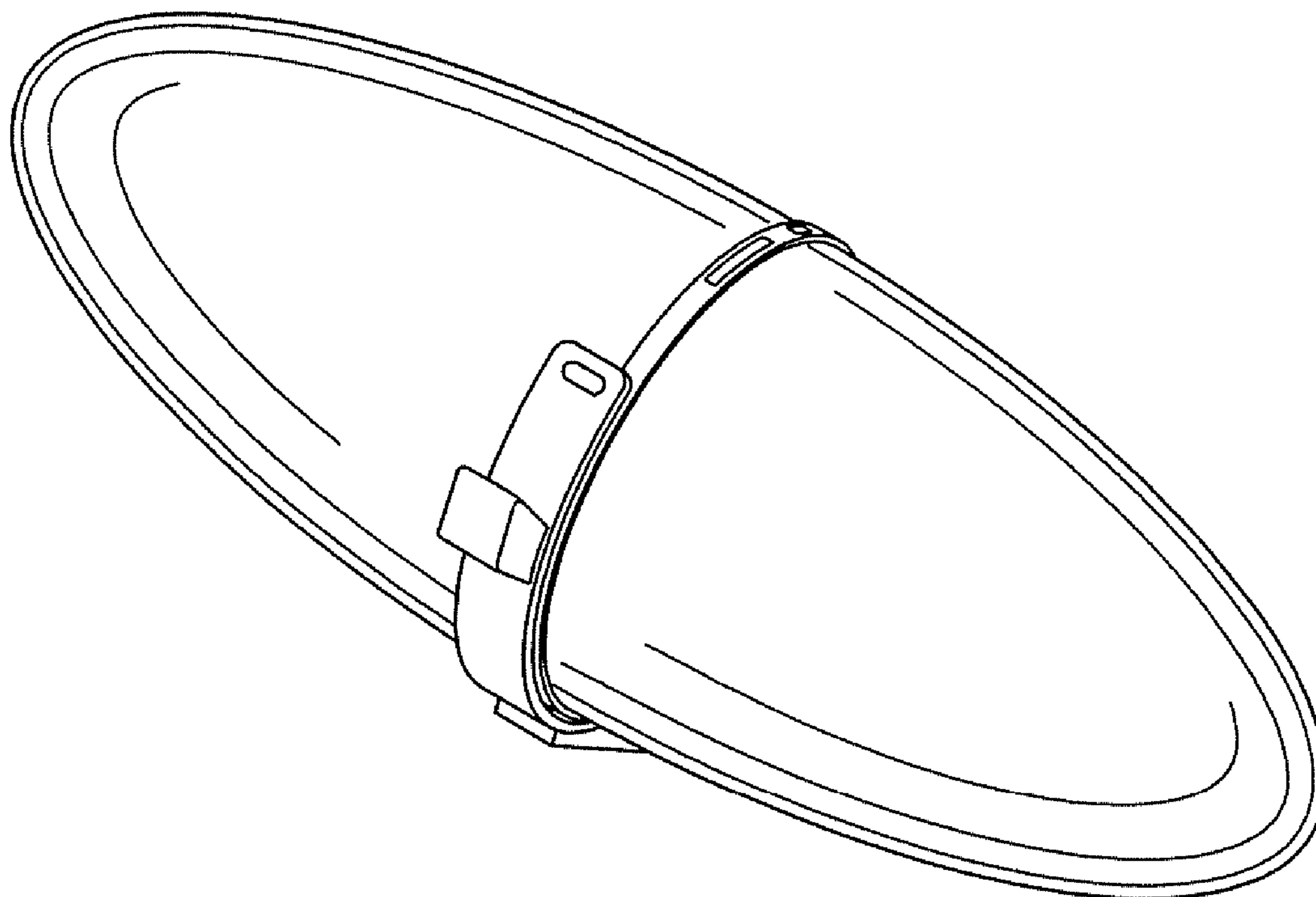
(57) **CLAIM**

The ornamental design for a loudspeaker, as shown and described.

DESCRIPTION

FIG. 1 is an isometric view of the speaker;
FIG. 2 is a rear view thereof;
FIG. 3 is a side view thereof;
FIG. 4 is a side view, viewed from the opposite direction to FIG. 3;
FIG. 5 is top plan view thereof;
FIG. 6 is a front view thereof; and,
FIG. 7 is a bottom plan view thereof.

1 Claim, 2 Drawing Sheets



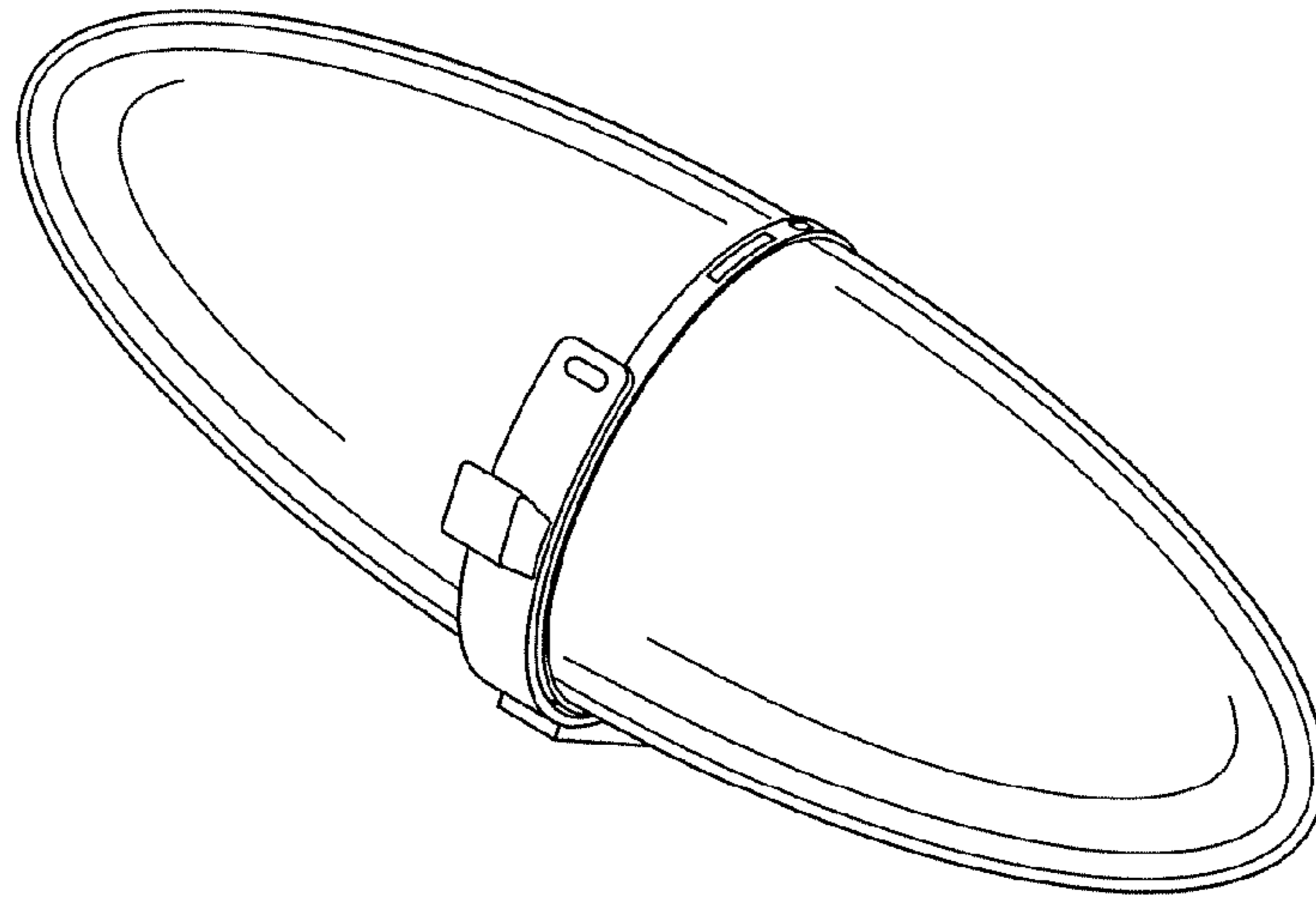


Fig. 1

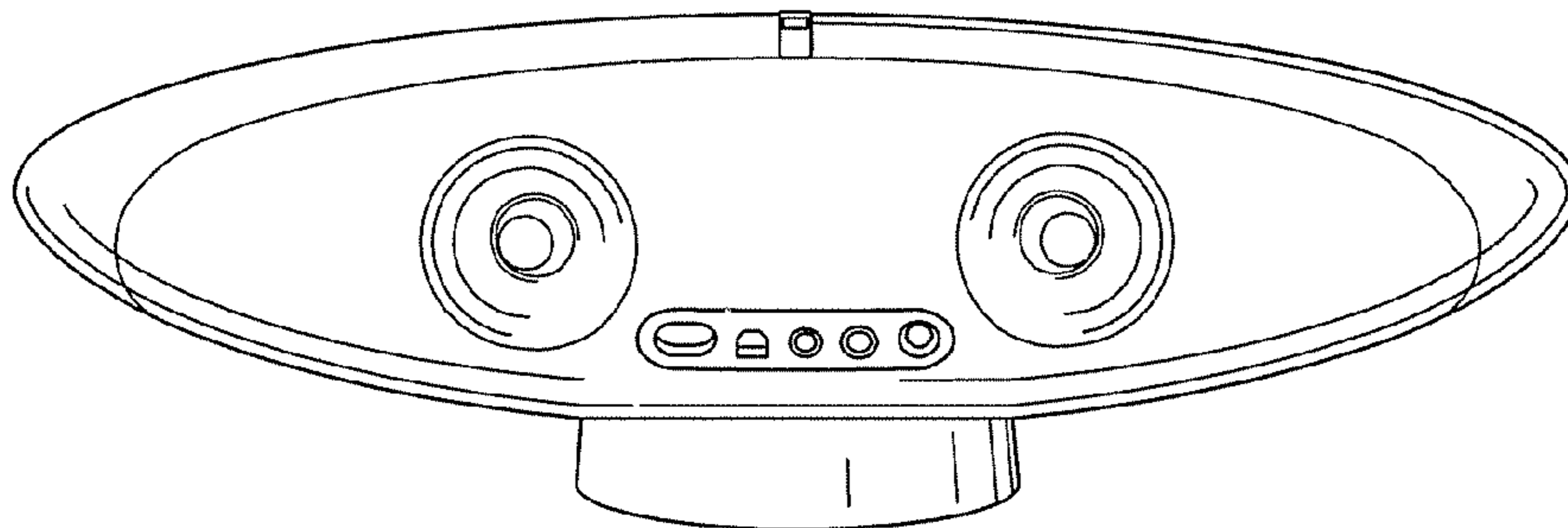


Fig. 2

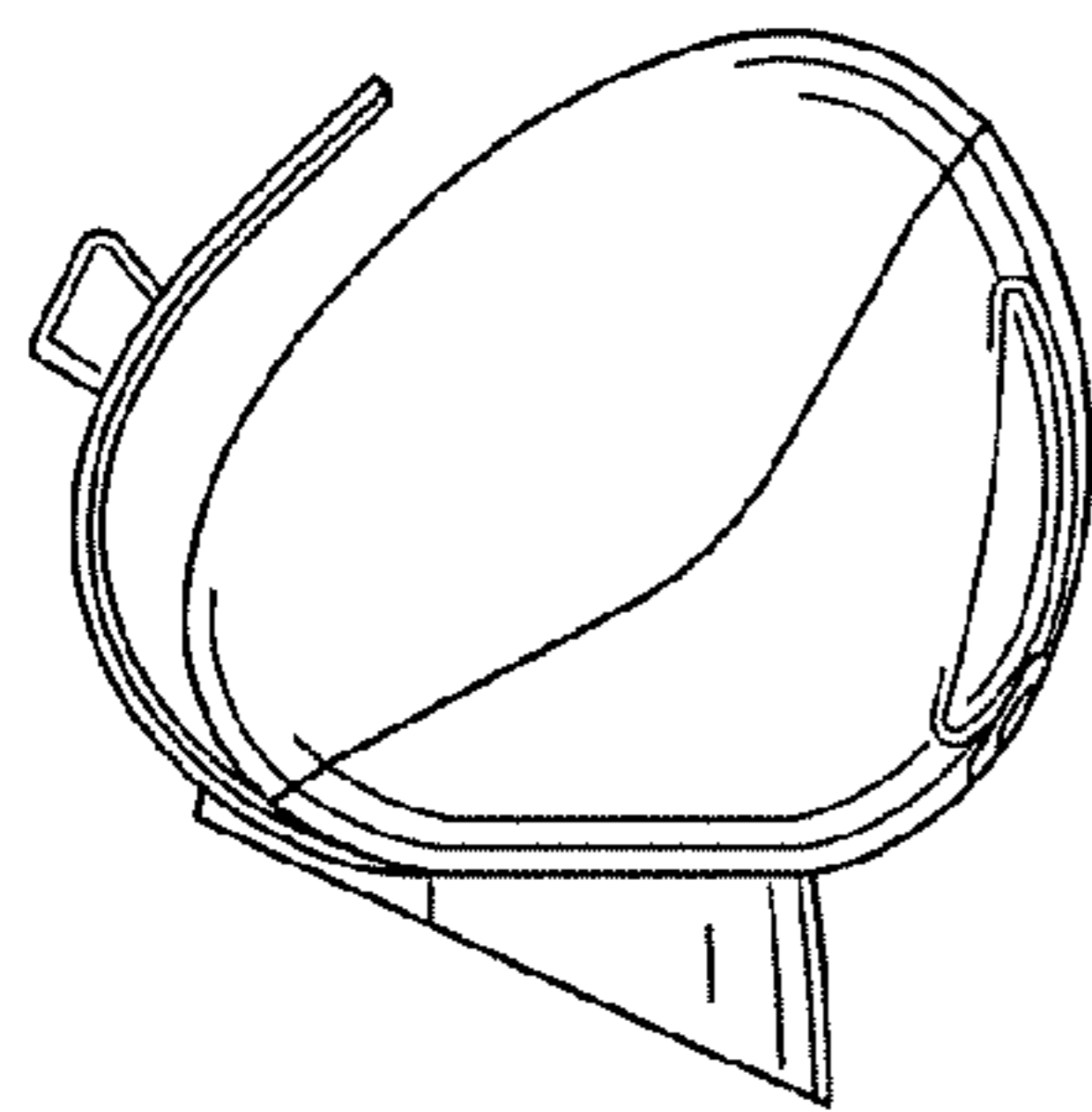


Fig. 3

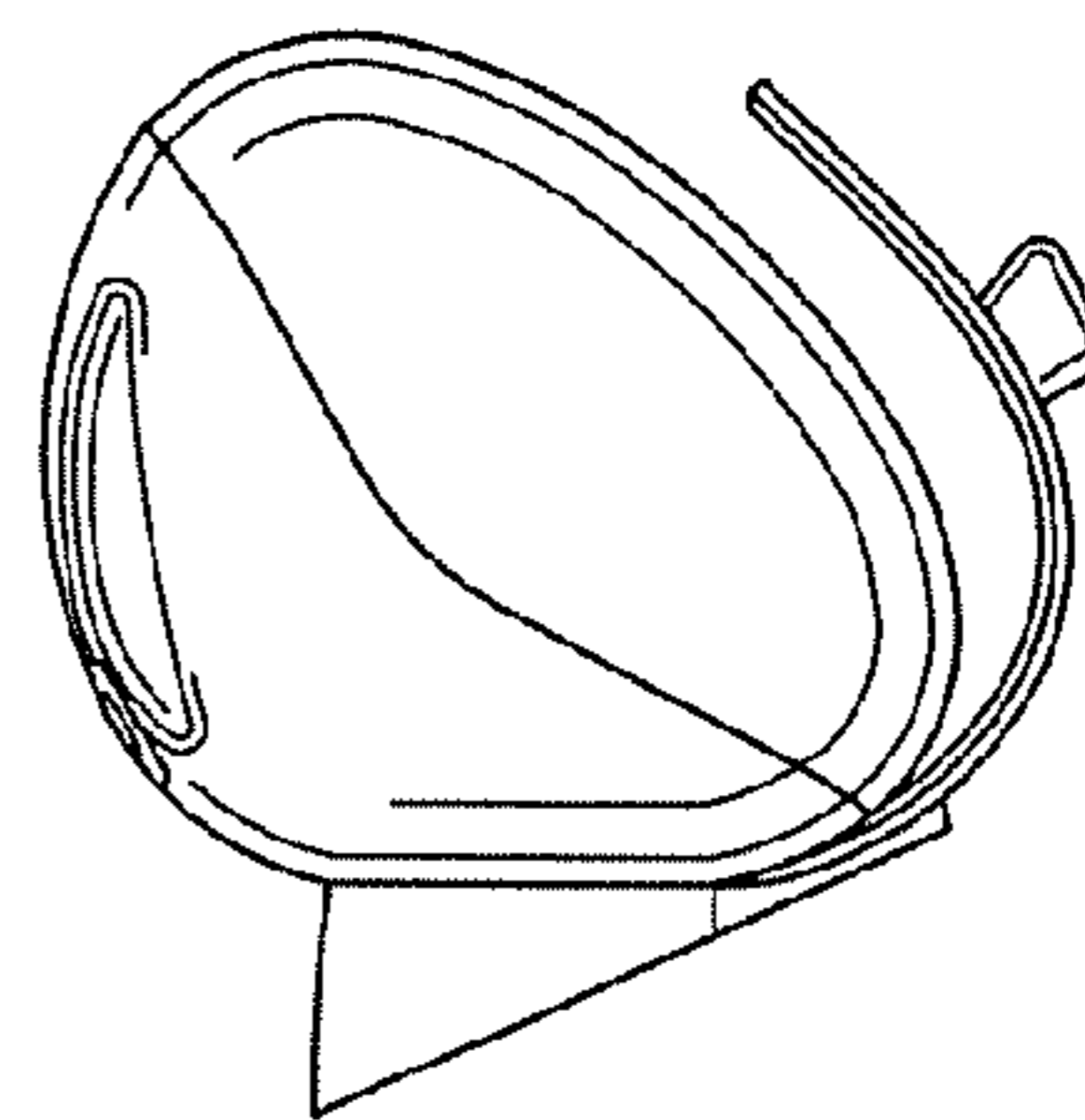


Fig. 4

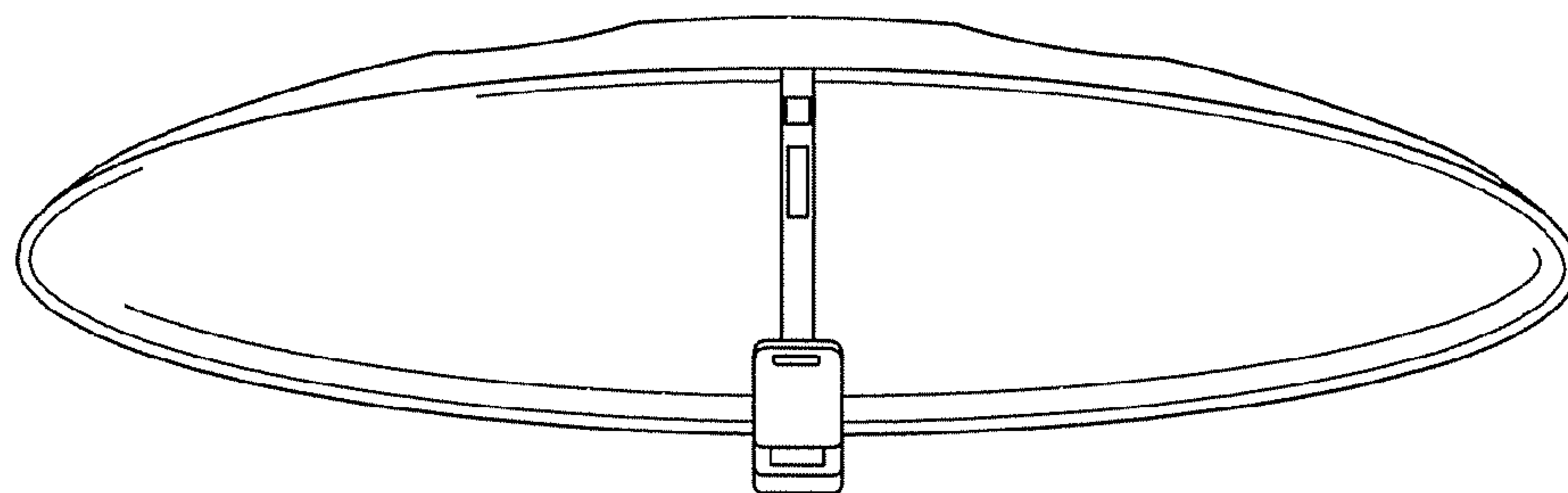


Fig. 5

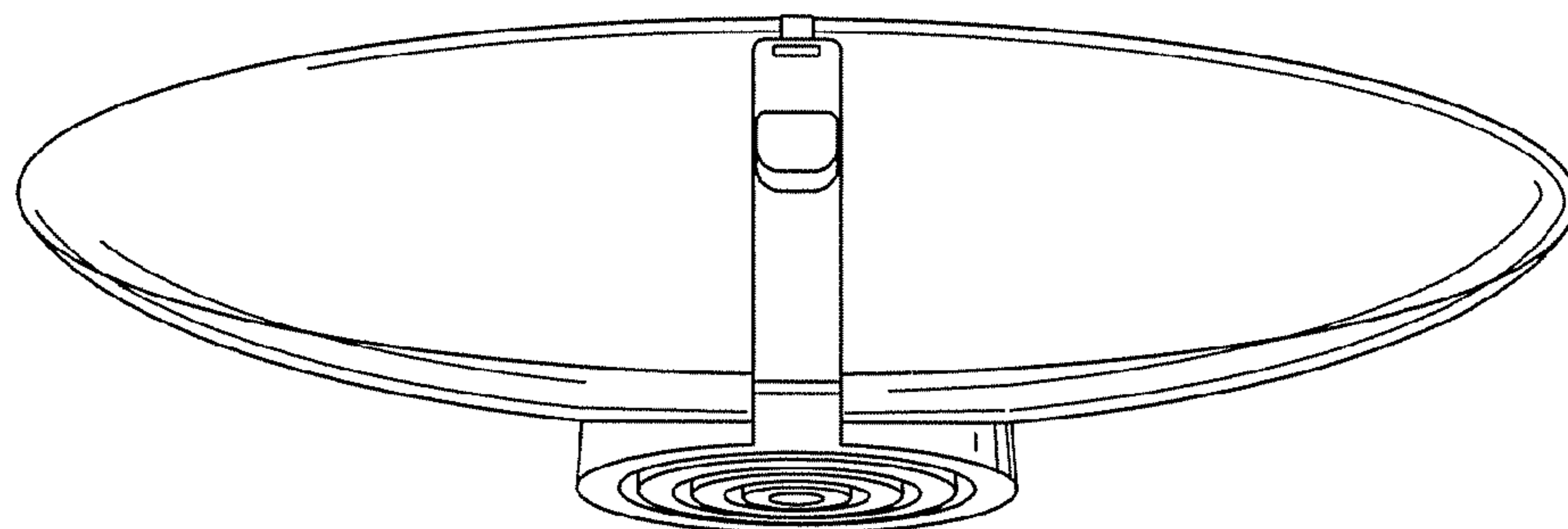


Fig. 6

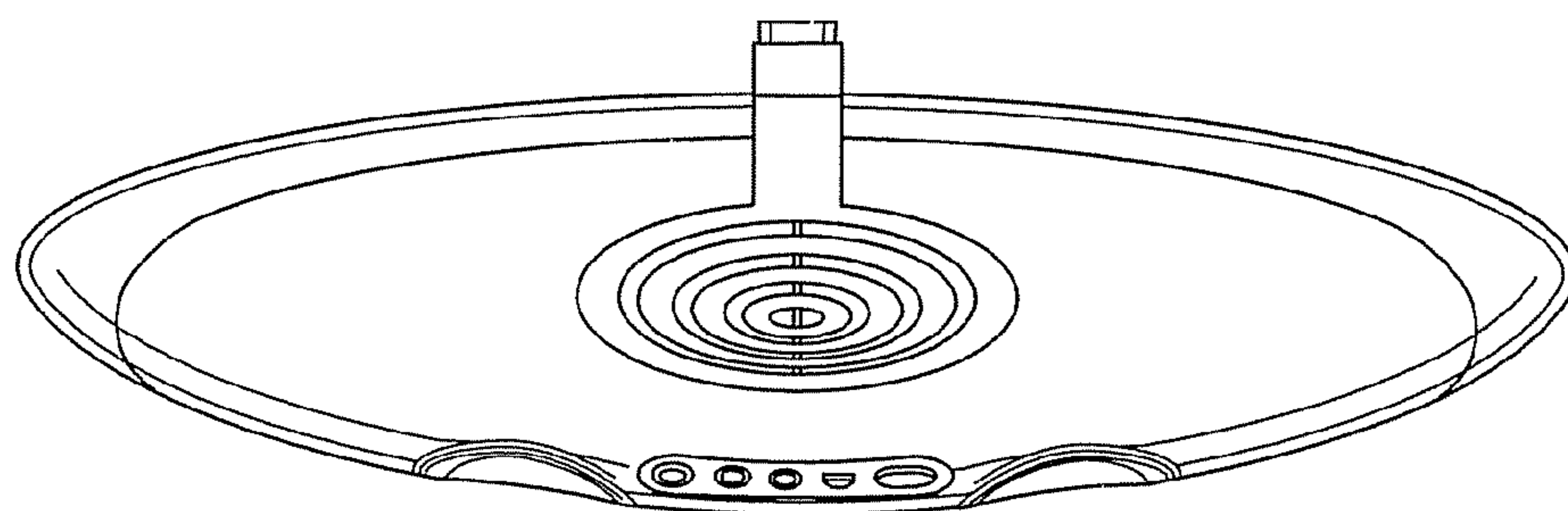


Fig. 7