



US00D588106S

(12) **United States Design Patent**
Khoo et al.

(10) **Patent No.:** **US D588,106 S**
(45) **Date of Patent:** **** Mar. 10, 2009**

(54) **LOUDSPEAKER**

(75) Inventors: **Soo Beng Damien Khoo**, Singapore (SG); **Chien Mei Linda Ang**, Singapore (SG); **Yu Weng Alvin Sitoh**, Singapore (SG)

(73) Assignee: **Creative Technology Ltd**, Singapore (SG)

(**) Term: **14 Years**

(21) Appl. No.: **29/304,028**

(22) Filed: **Feb. 22, 2008**

(51) **LOC (9) Cl.** **14-01**

(52) **U.S. Cl.** **D14/215**

(58) **Field of Classification Search** D14/204, D14/207, 209–216; 181/143–144, 147–148, 181/150, 157, 198–199, 151, 153; 381/300–302, 381/306, 333, 345, 361–364, 386–388, 332, 381/336

See application file for complete search history.

(56) **References Cited**

U.S. PATENT DOCUMENTS

D199,676 S * 12/1964 Reed D14/215
5,937,074 A * 8/1999 Carver 381/386
6,561,311 B2 * 5/2003 Chuang 181/199
D500,305 S * 12/2004 Lin et al. D14/215
D509,212 S * 9/2005 Hioki D14/215

D510,339 S * 10/2005 Taylor D14/215

* cited by examiner

Primary Examiner—Nanda Bondade

(74) *Attorney, Agent, or Firm*—Kennedy Koblin

(57) **CLAIM**

The ornamental design for a loudspeaker, substantially as shown and described.

DESCRIPTION

FIG. 1 is a front perspective view of the loudspeaker in accordance with the present design;

FIG. 2 is a rear perspective view of the loudspeaker shown in FIG. 1;

FIG. 3 is another front perspective view of the loudspeaker shown in FIG. 1;

FIG. 4 is a front view of the loudspeaker shown in FIG. 1;

FIG. 5 is a rear view of the loudspeaker shown in FIG. 1;

FIG. 6 is a left side view of the loudspeaker shown in FIG. 1;

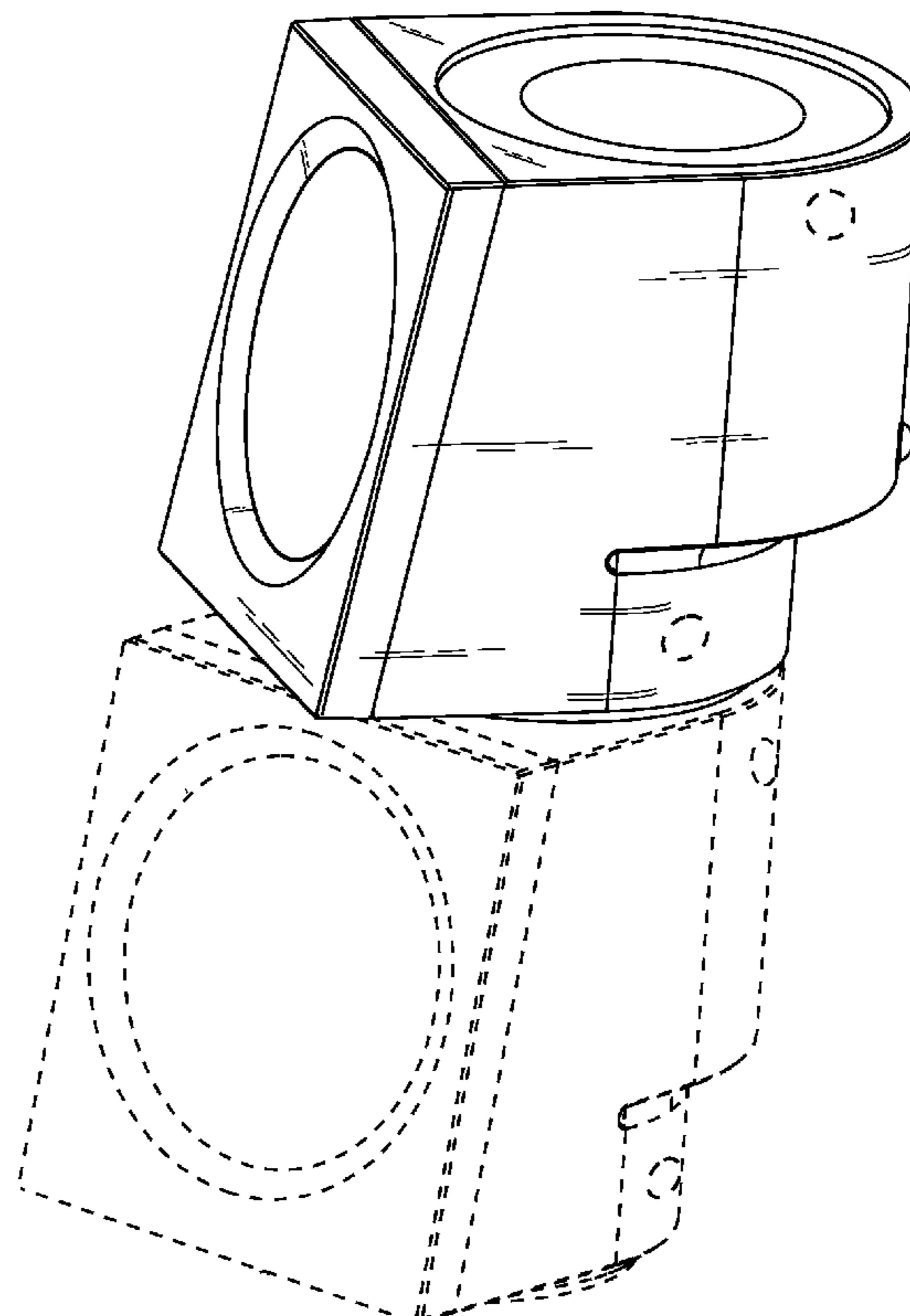
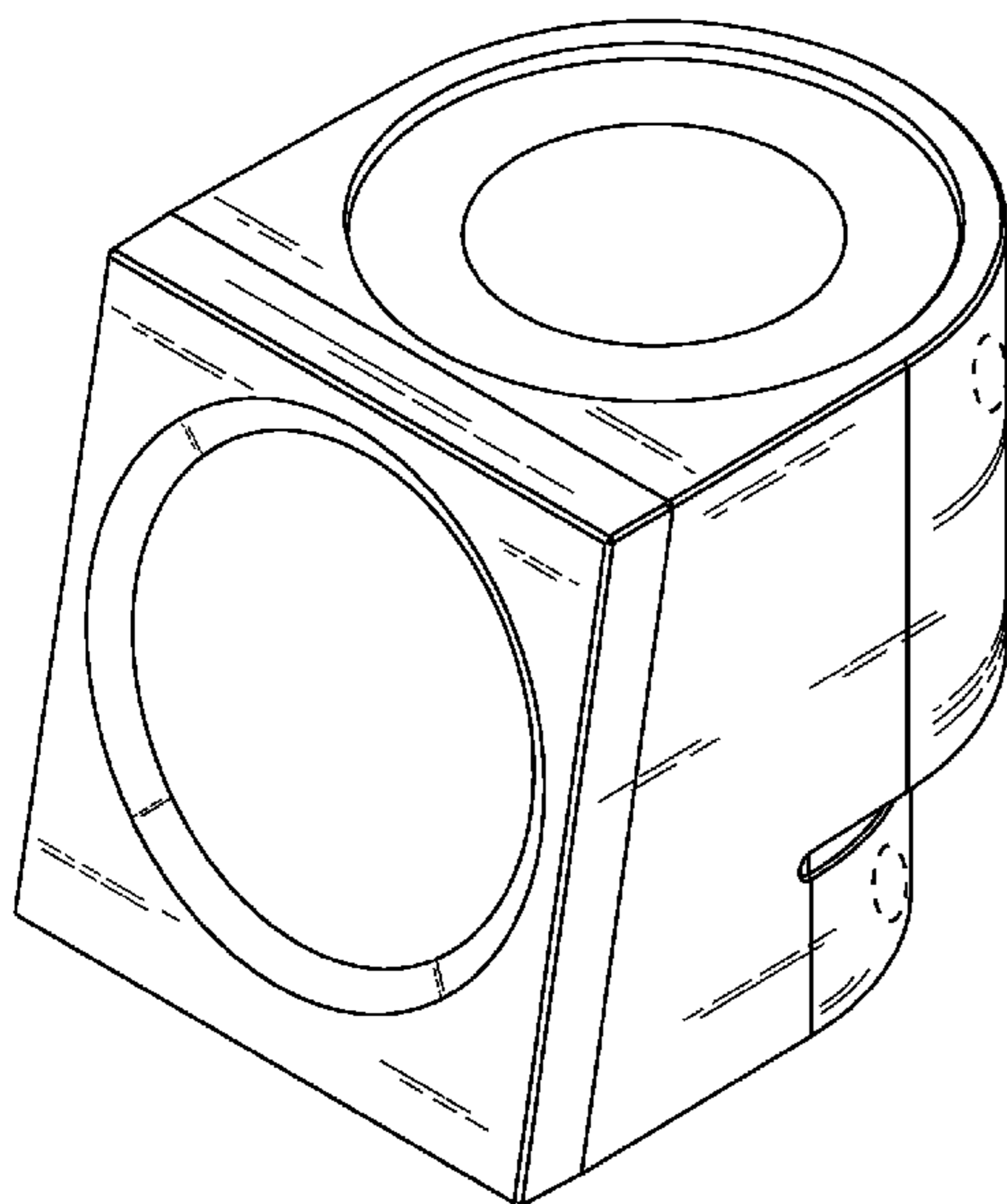
FIG. 7 is a right side view of the loudspeaker shown in FIG. 1;

FIG. 8 is a top view of the loudspeaker shown in FIG. 1; and,

FIG. 9 is a bottom view of the loudspeaker shown in FIG. 1.

The broken line showing on the drawing disclosure is for illustrative purposes only and forms no part of the claimed design.

1 Claim, 5 Drawing Sheets



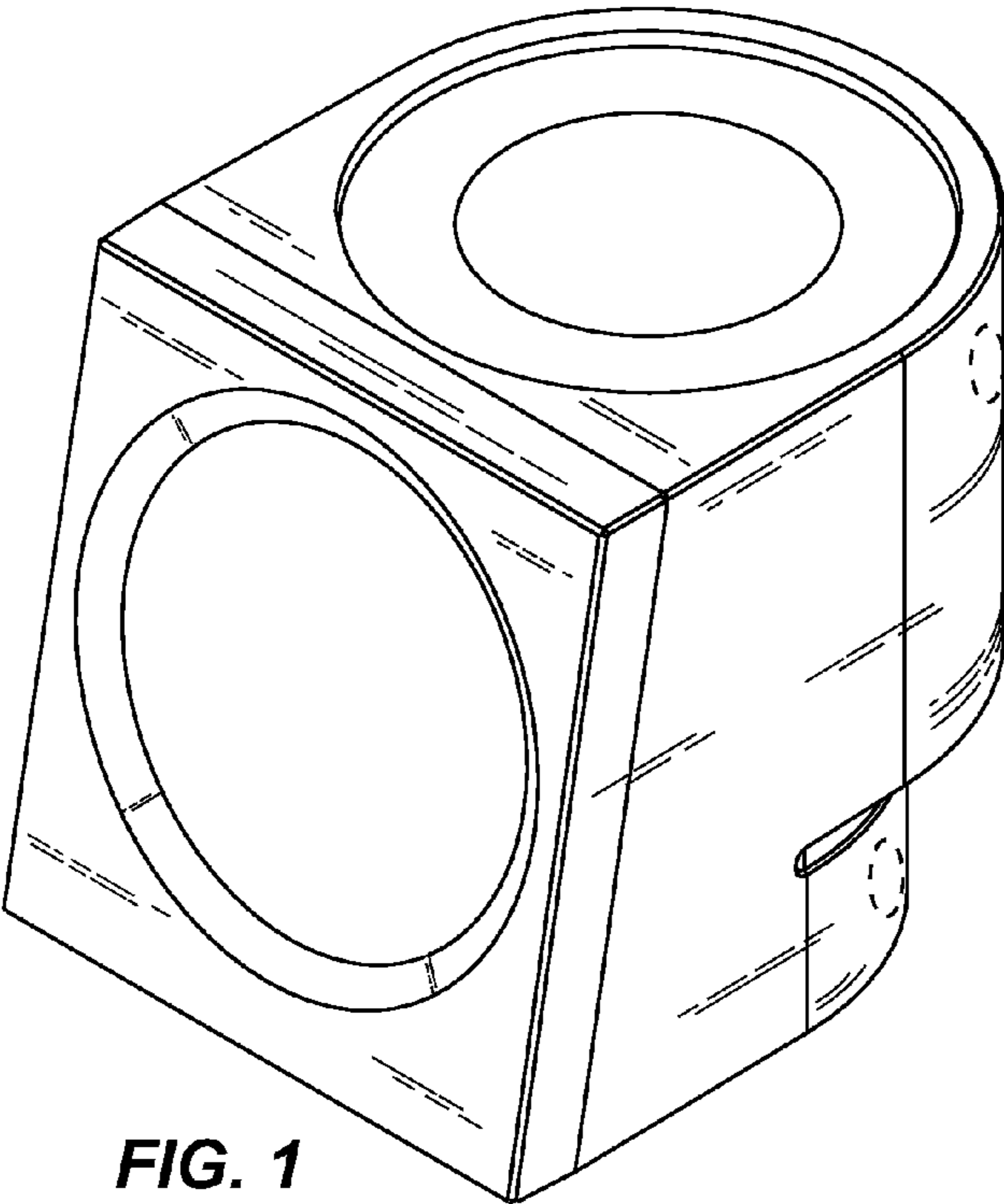


FIG. 1

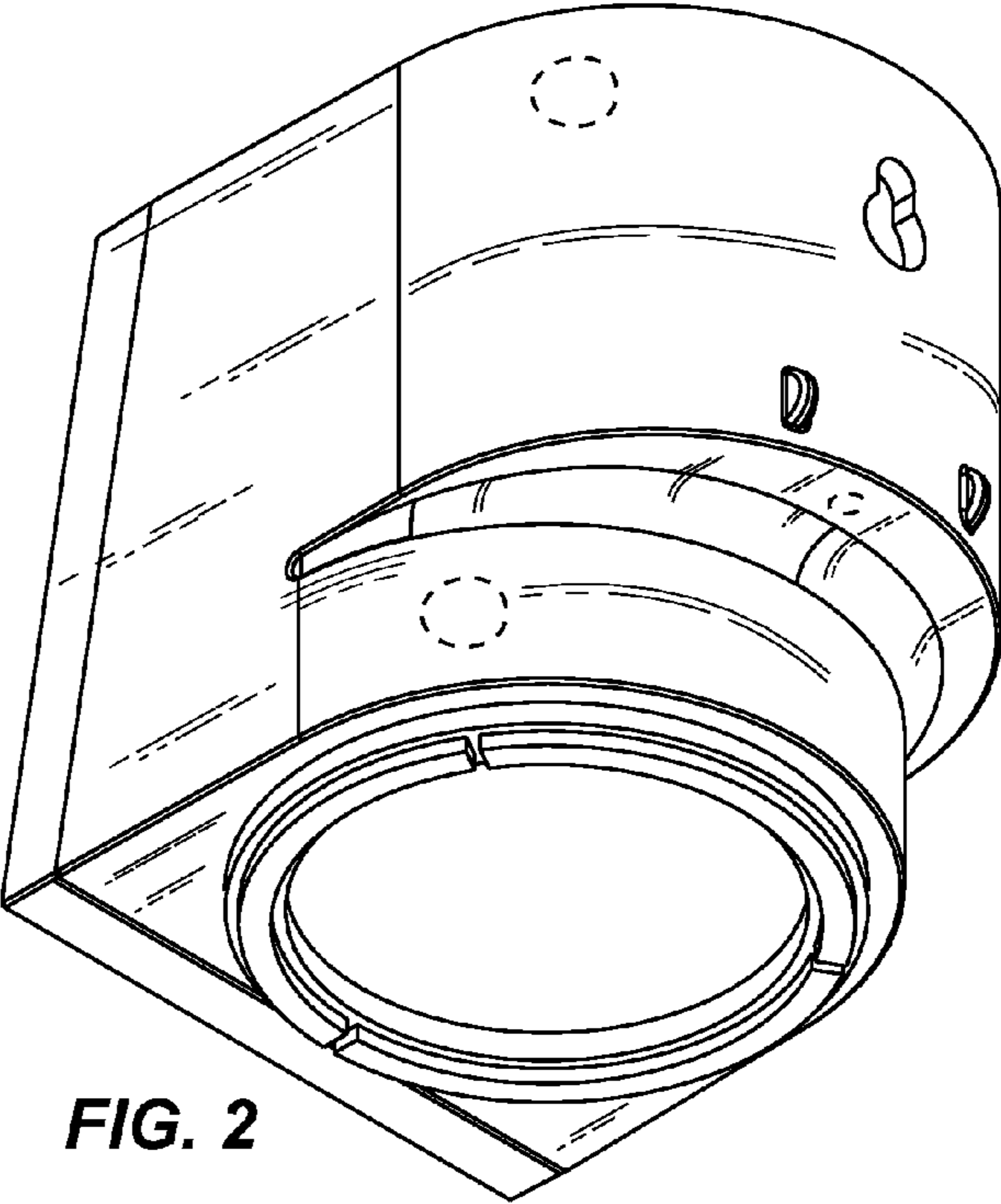


FIG. 2

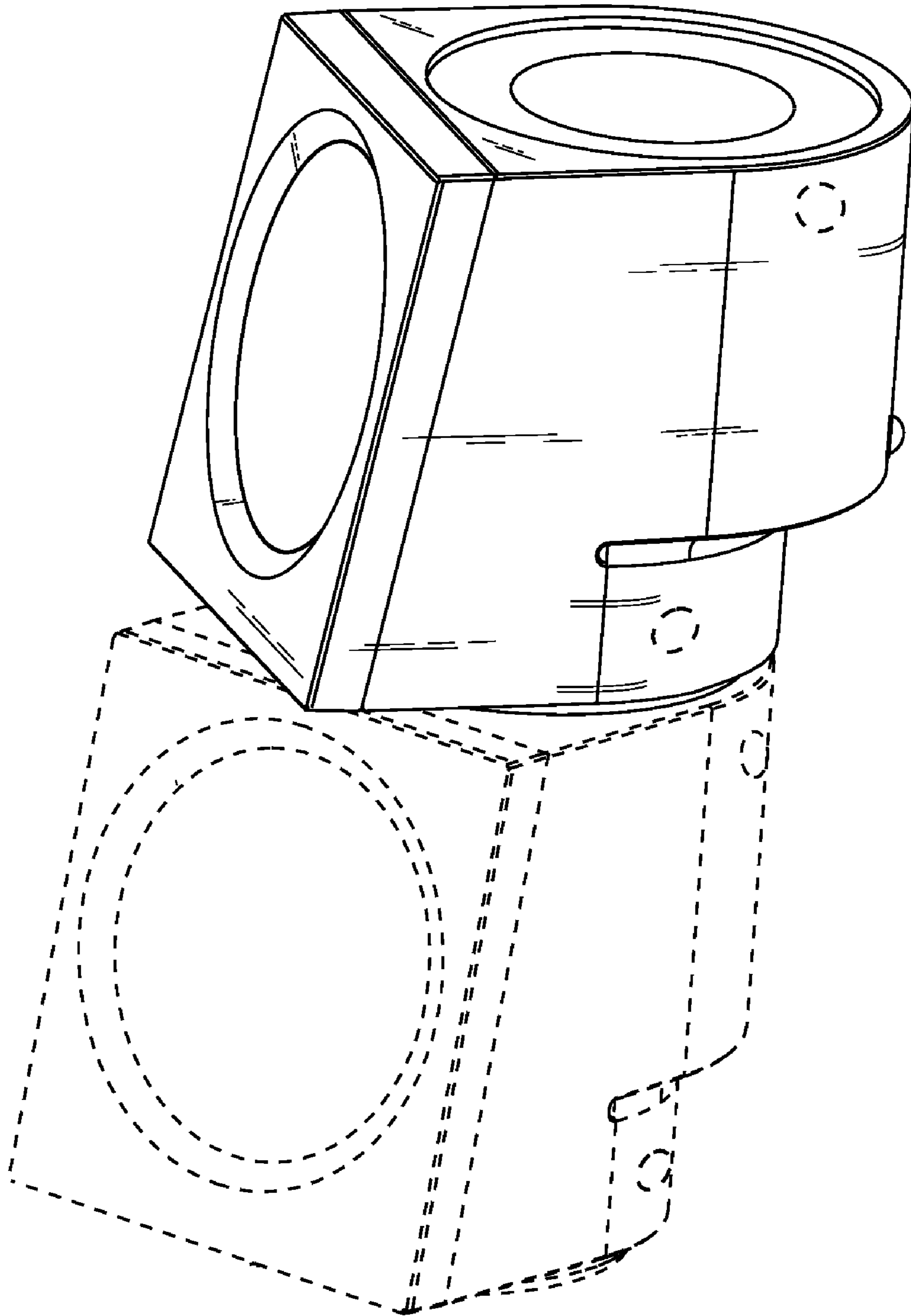


FIG. 3

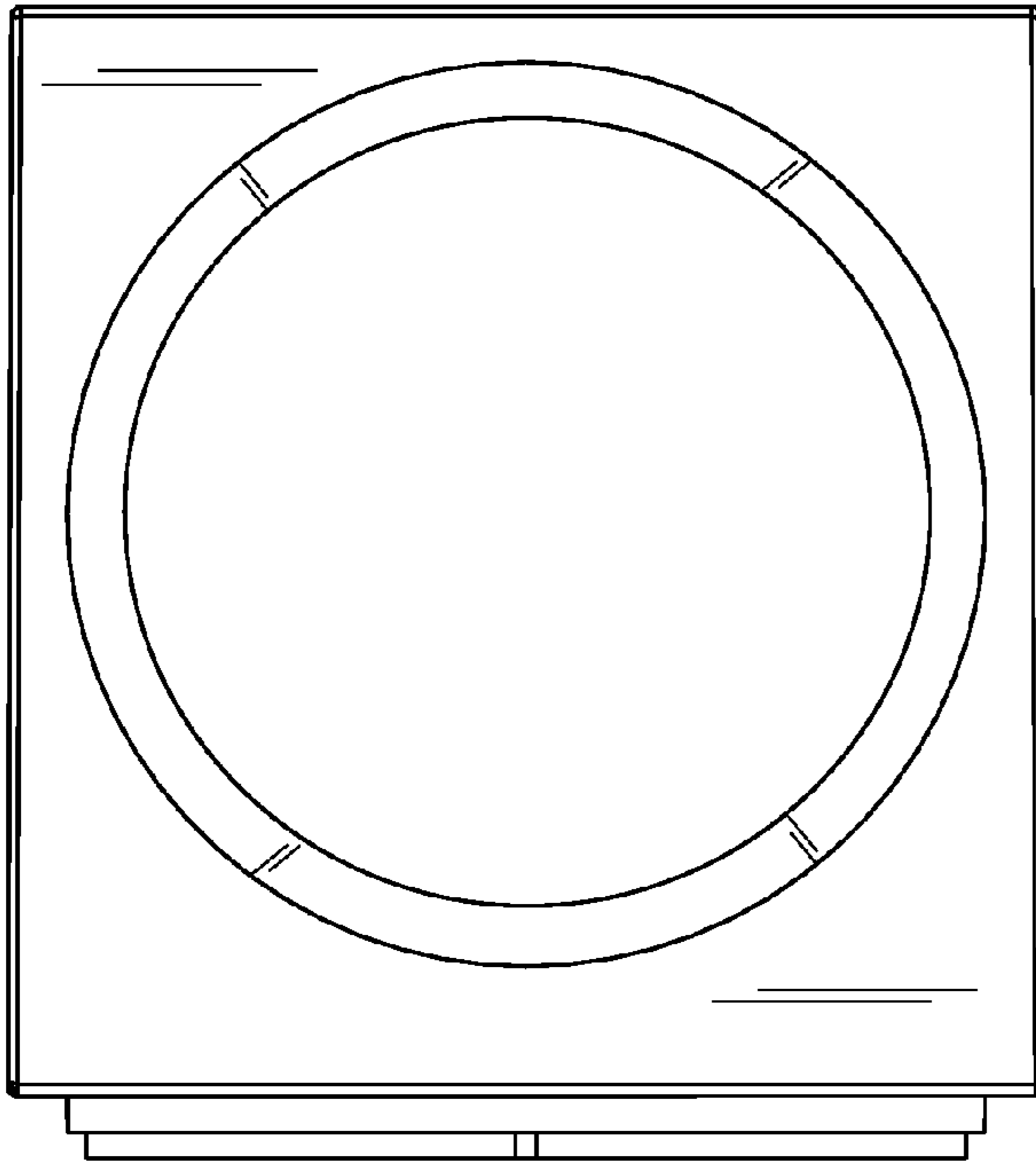


FIG. 4

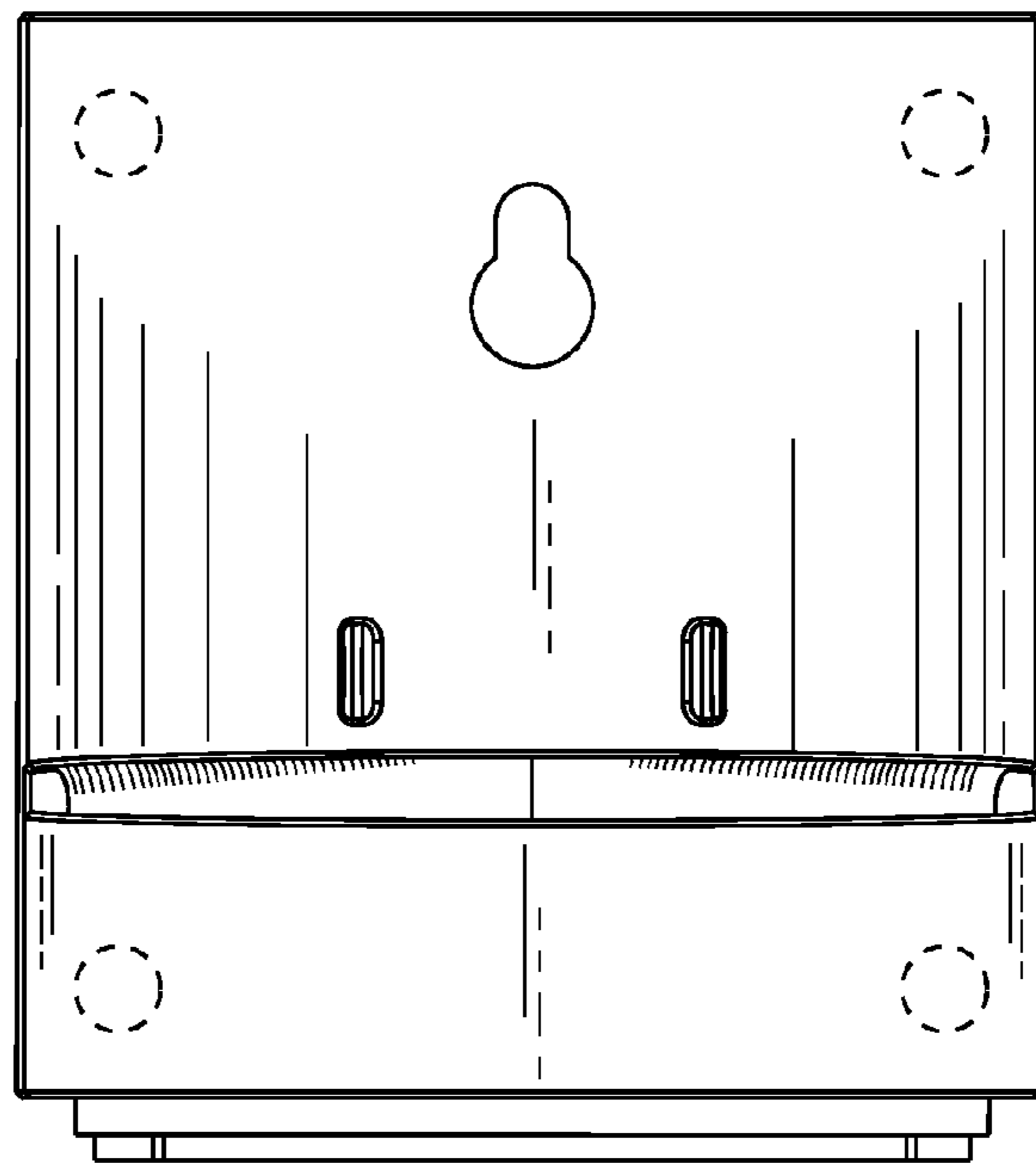


FIG. 5

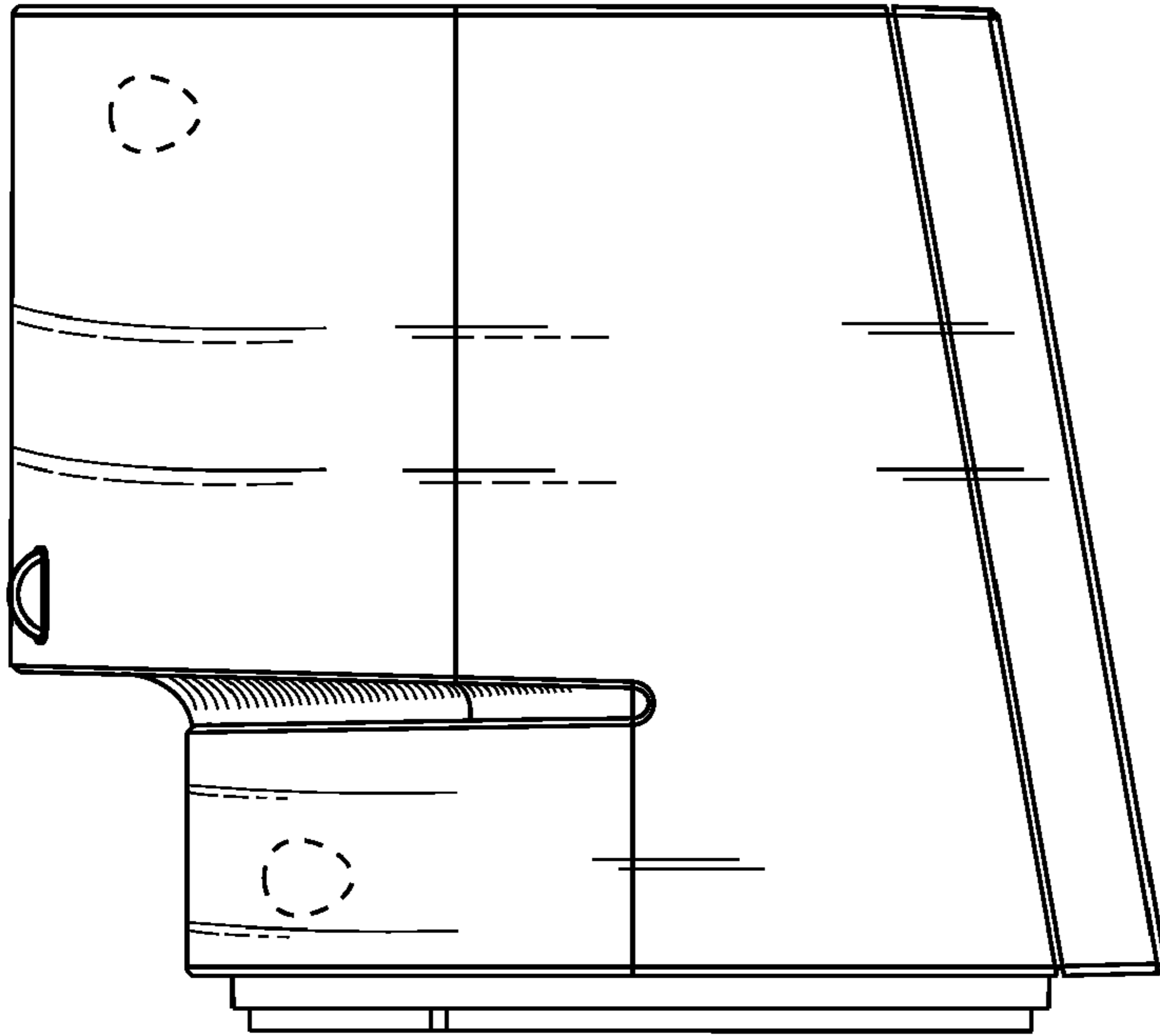


FIG. 6

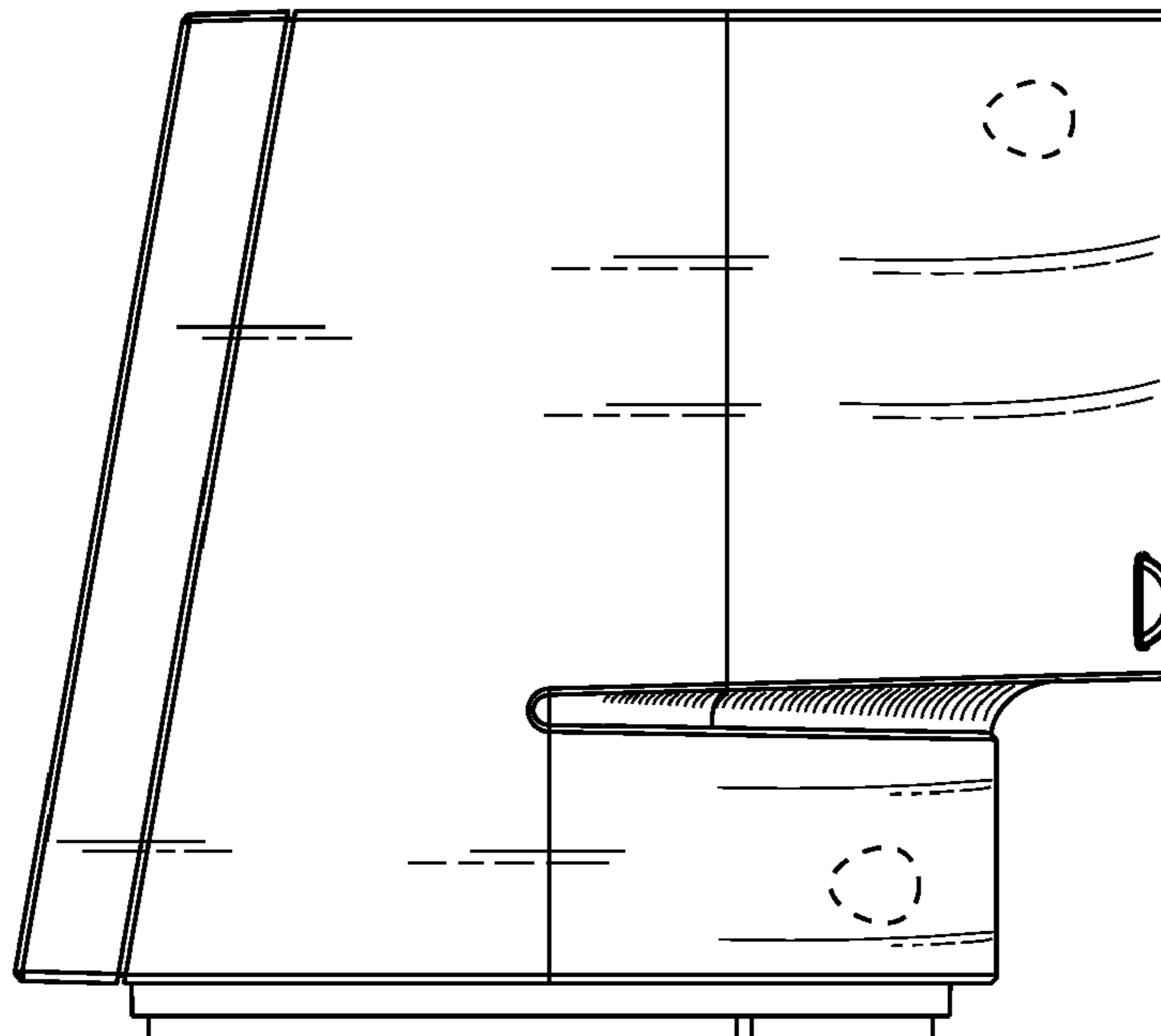


FIG. 7

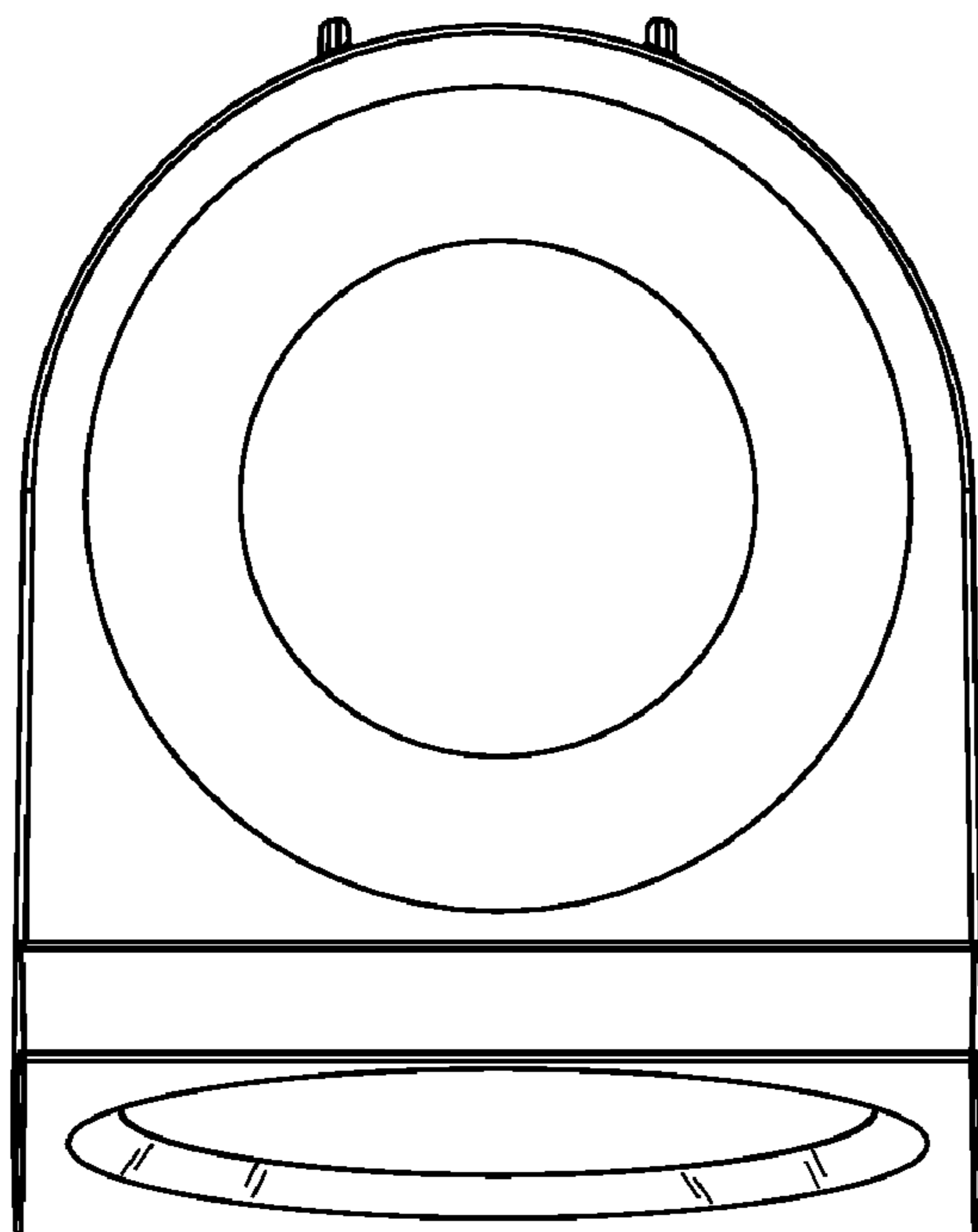


FIG. 8

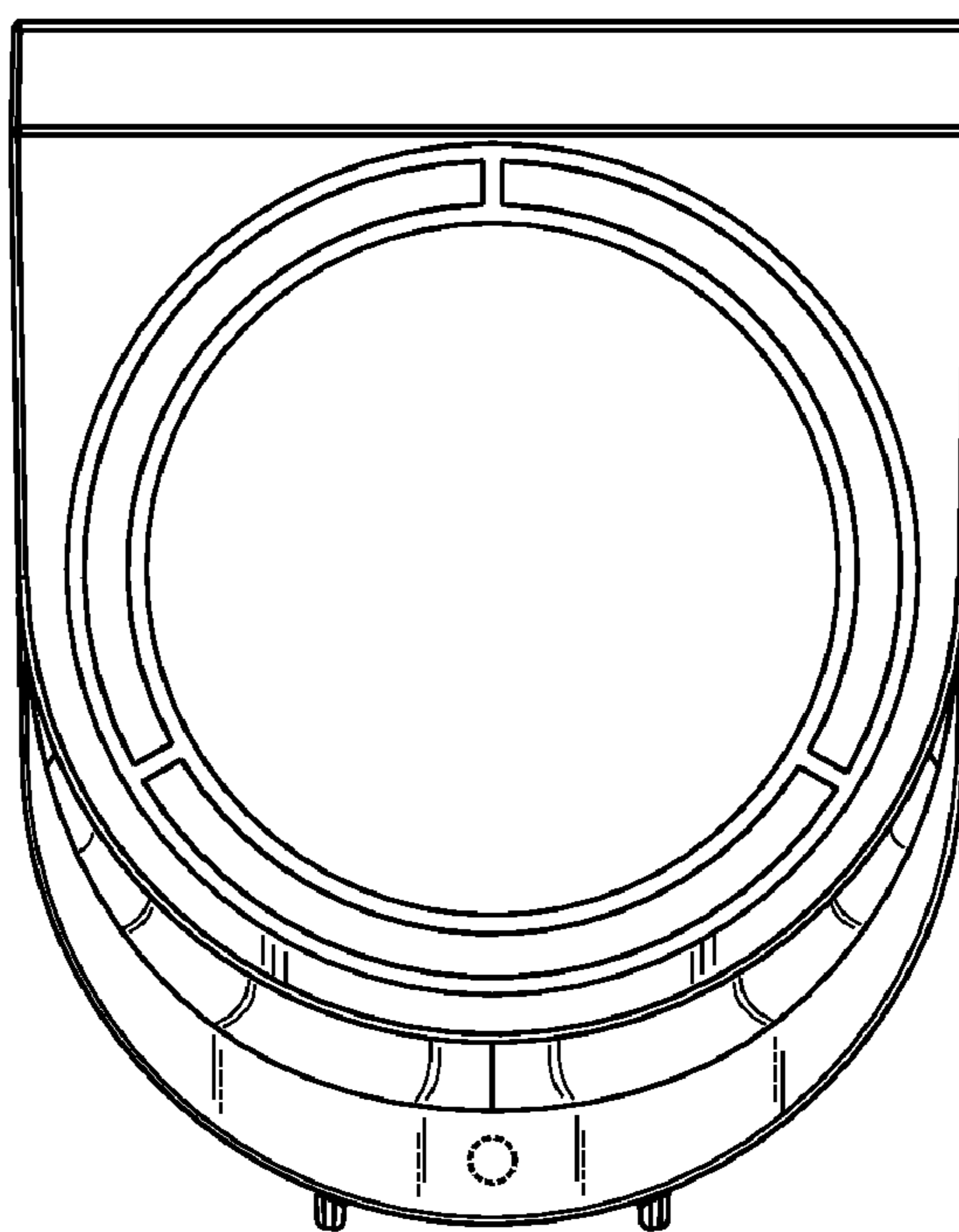


FIG. 9