



US00D588100S

(12) **United States Design Patent**
Densho et al.

(10) **Patent No.:** **US D588,100 S**
(45) **Date of Patent:** **** Mar. 10, 2009**

(54) **HEADPHONE**

(75) Inventors: **Keiko Densho**, Tokyo (JP); **Yasuhide Hosoda**, Tokyo (JP)

(73) Assignee: **Sony Corporation**, Tokyo (JP)

(**) Term: **14 Years**

(21) Appl. No.: **29/300,395**

(22) Filed: **Mar. 21, 2008**

(30) **Foreign Application Priority Data**

Sep. 25, 2007 (JP) D2007-025828

(51) **LOC (9) Cl.** **14-01**

(52) **U.S. Cl.** **D14/205**

(58) **Field of Classification Search** D14/205,
D14/206, 223, 192, 188; 181/129, 130; 379/430,
379/431, 433; 381/380, 381, 370, 375, 376,
381/377, 378, 379; D29/112; 2/209; 128/867
See application file for complete search history.

(56) **References Cited**

U.S. PATENT DOCUMENTS

4,404,434 A * 9/1983 Pelt et al. 381/383
D313,092 S * 12/1990 Nilsson D29/112
5,369,857 A * 12/1994 Sacherman et al. 29/594
5,581,627 A * 12/1996 Bowser et al. 381/370
5,996,123 A * 12/1999 Leight et al. 2/209
6,385,325 B1 * 5/2002 Nageno et al. 381/374
6,449,806 B1 * 9/2002 Engelhard et al. 24/3.1
D476,639 S * 7/2003 Bergeron et al. D14/205
6,611,963 B2 * 9/2003 Woo et al. 2/209
D484,485 S * 12/2003 Matsuoka D14/205
6,654,966 B2 * 12/2003 Rolla 2/209

D492,943 S * 7/2004 Komiyama D14/205
D505,411 S * 5/2005 Sakai D14/192
D512,708 S * 12/2005 Harris et al. D14/205
D534,155 S * 12/2006 Obata D14/205
D534,156 S * 12/2006 Obata D14/205
7,172,052 B2 * 2/2007 Lenhard-Backhaus 181/129
D538,261 S * 3/2007 Taylor et al. D14/205
D540,301 S * 4/2007 Obata D14/205
D540,777 S * 4/2007 Rausch et al. D14/205
D541,255 S * 4/2007 Taylor et al. D14/205
7,245,735 B2 * 7/2007 Han 381/371
D556,187 S * 11/2007 Feng D14/205
D573,581 S * 7/2008 Gondo et al. D14/205
D576,604 S * 9/2008 Suzuki D14/205

* cited by examiner

Primary Examiner—Paula Greene

(74) *Attorney, Agent, or Firm*—Rader, Fishman & Grauer, PLLC

(57) **CLAIM**

The ornamental design for a headphone, as shown.

DESCRIPTION

FIG. 1 is a perspective view of a headphone showing our new design;

FIG. 2 is a front elevational view thereof;

FIG. 3 is a rear elevational view thereof;

FIG. 4 is a left side elevational view thereof;

FIG. 5 is a right side elevational view thereof;

FIG. 6 is a top plan view thereof; and,

FIG. 7 is a bottom plan view thereof.

1 Claim, 7 Drawing Sheets

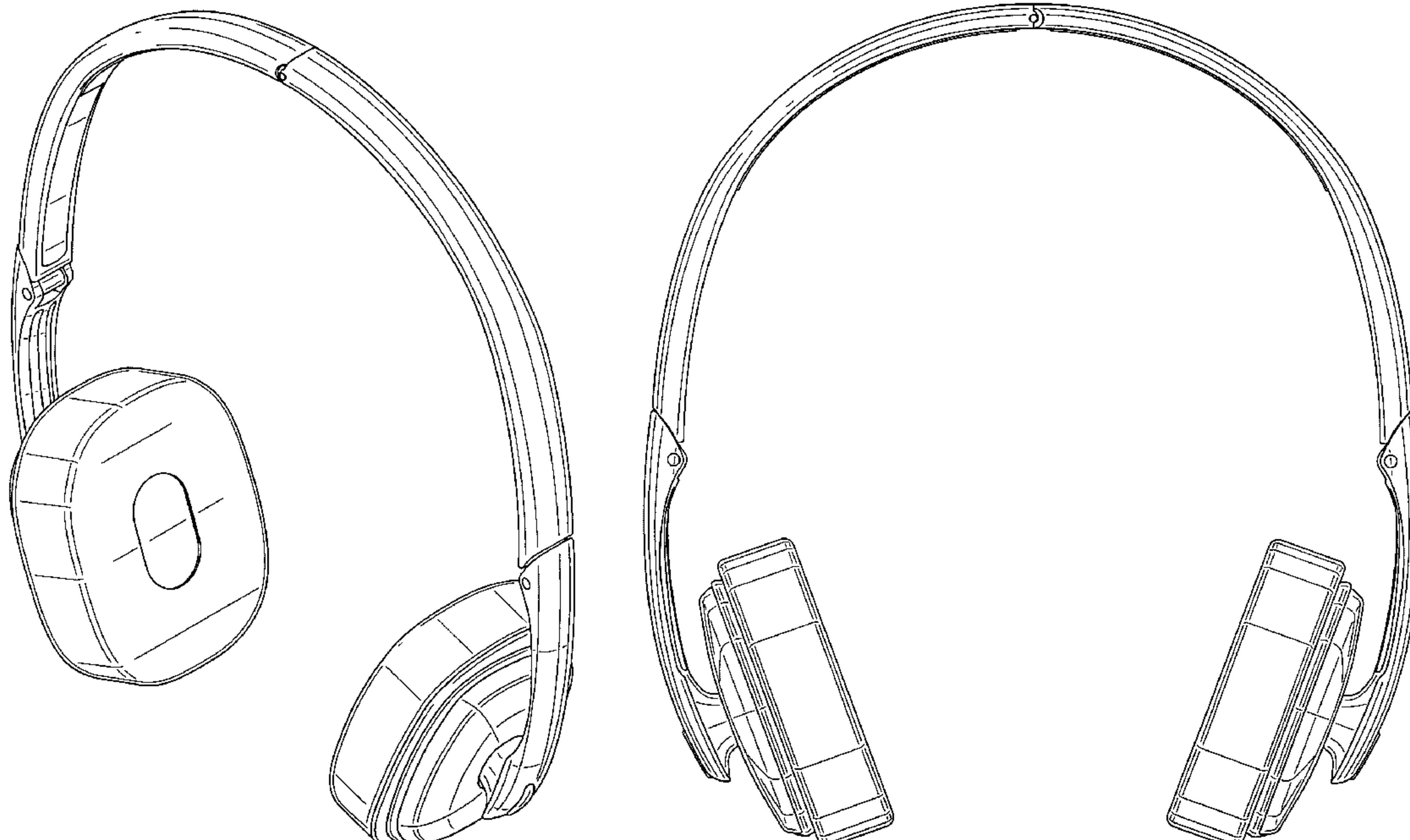


FIG. 1

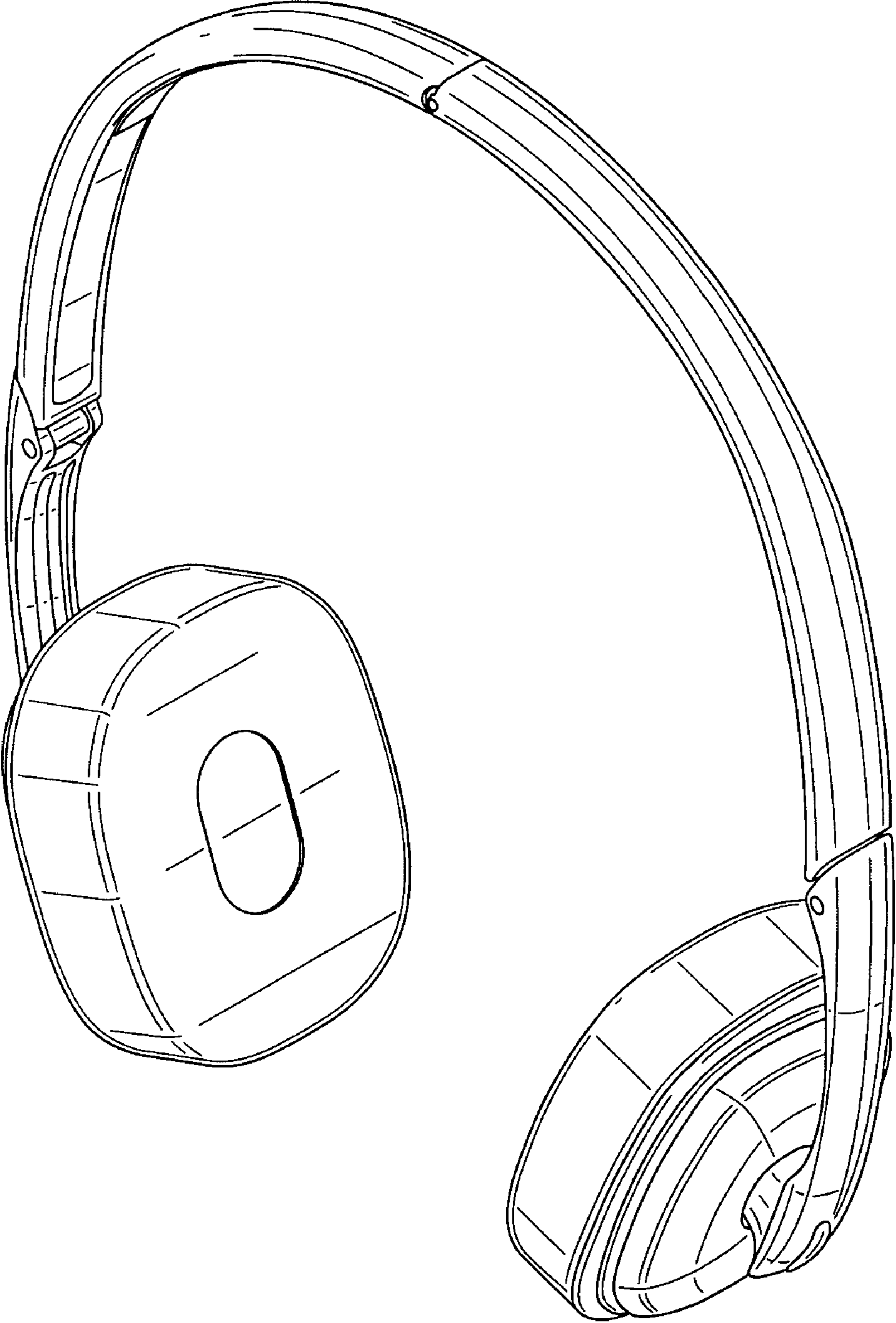


FIG.2

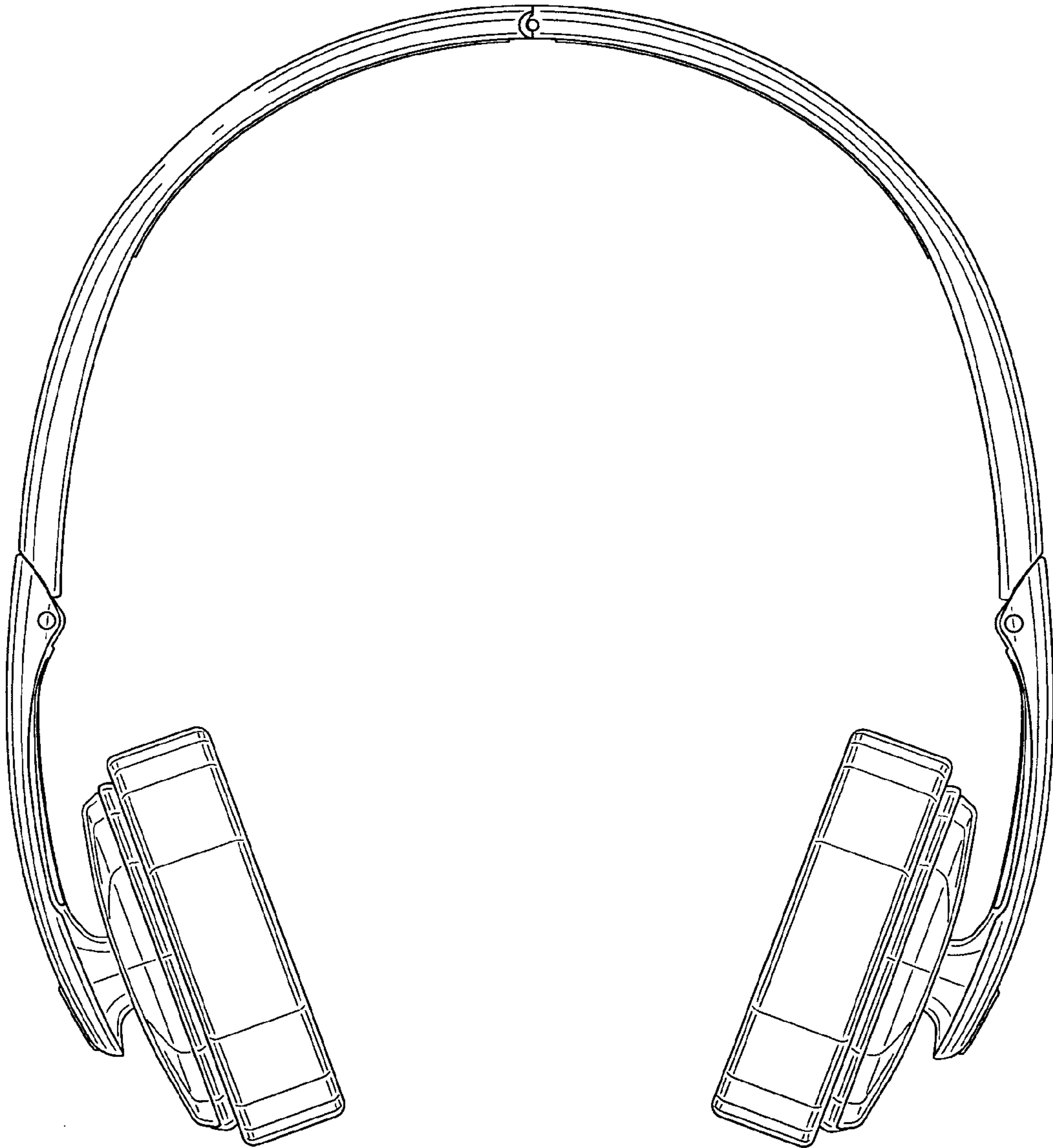


FIG.3



FIG.4

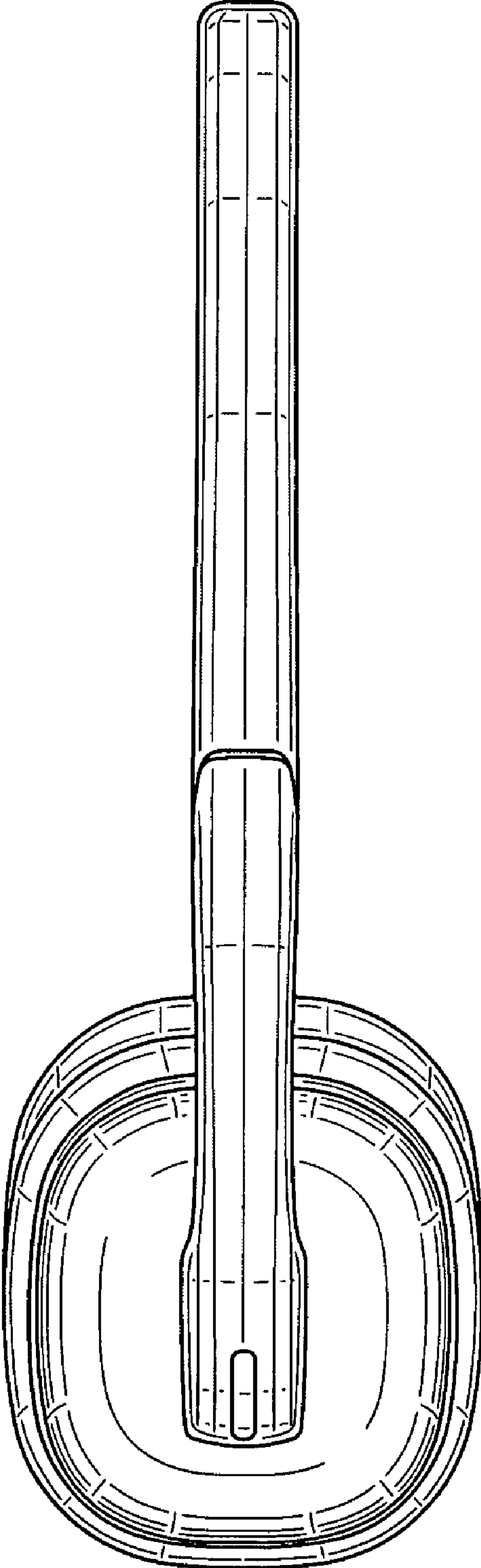


FIG.5

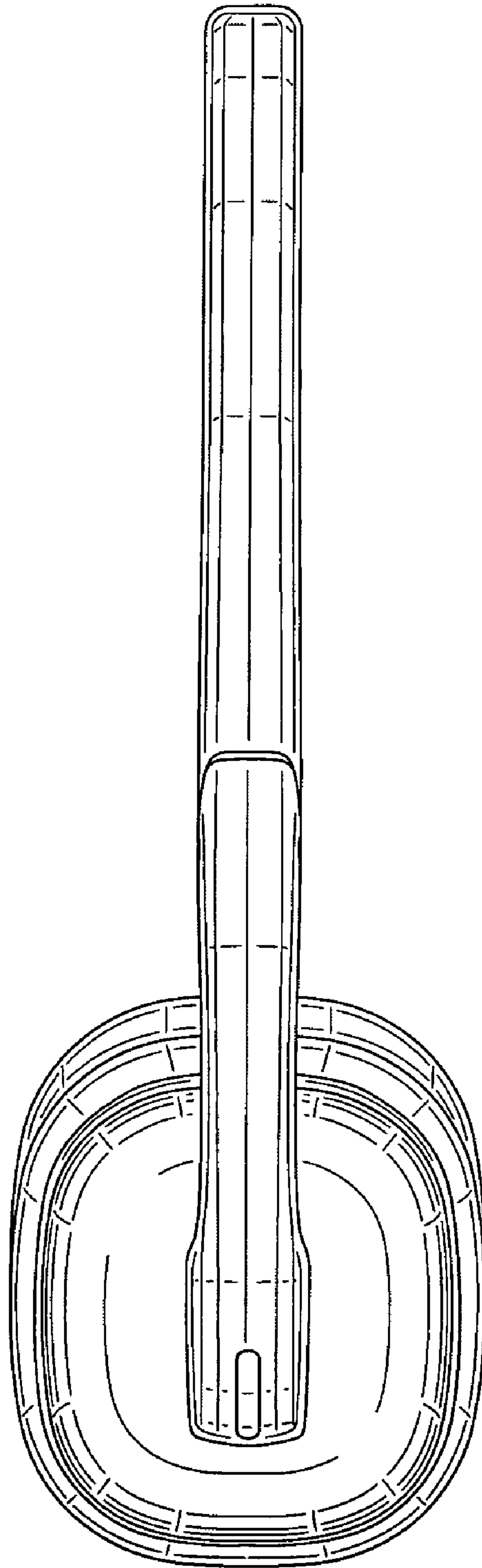


FIG.6

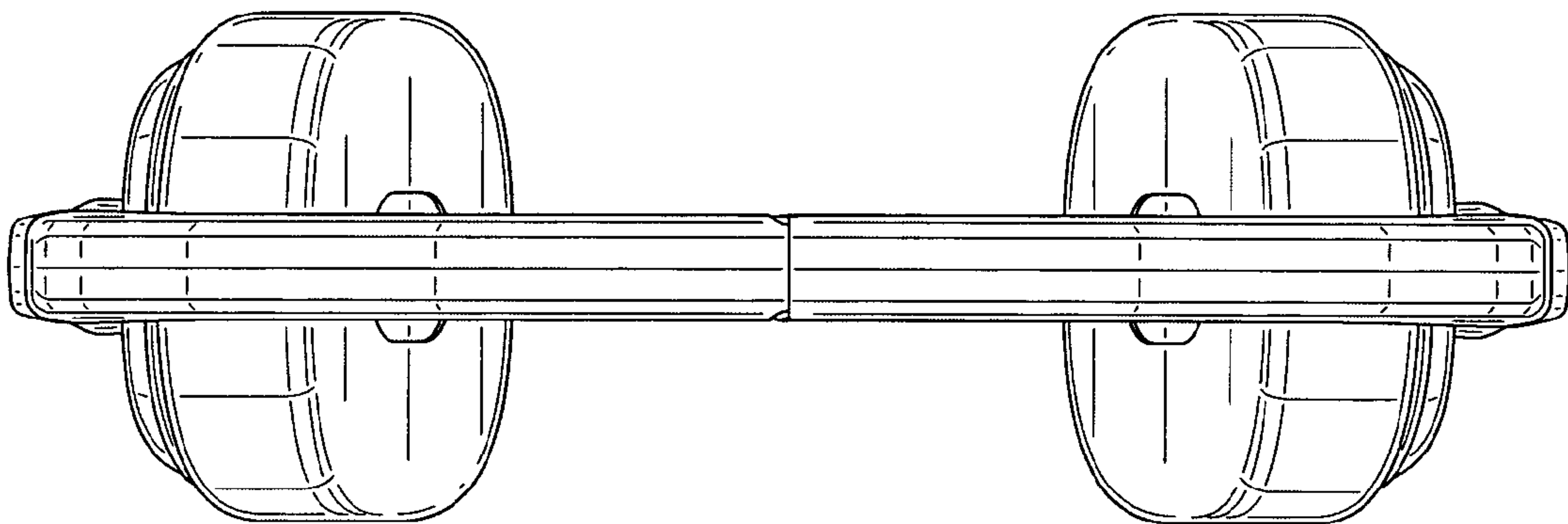


FIG.7

