

US00D588098S

(12) **United States Design Patent**
Kurihara

(10) **Patent No.:** **US D588,098 S**
(45) **Date of Patent:** **** Mar. 10, 2009**

(54) **HEADPHONE**

(75) Inventor: **Daisuke Kurihara**, Tokyo (JP)

(73) Assignee: **Sony Corporation**, Tokyo (JP)

(**) Term: **14 Years**

(21) Appl. No.: **29/300,250**

(22) Filed: **Mar. 5, 2008**

(30) **Foreign Application Priority Data**

Sep. 11, 2007 (JP) D2007-024738

(51) **LOC (9) Cl.** **14-01**

(52) **U.S. Cl.** **D14/205**

(58) **Field of Classification Search** D14/205,
D14/206, 223, 188, 192; 181/129, 130; 379/430,
379/431, 433; 381/370, 375, 376, 377, 378,
381/379, 380, 381

See application file for complete search history.

(56) **References Cited**

U.S. PATENT DOCUMENTS

- 1,581,882 A * 4/1926 Stace 381/381
- 1,606,165 A * 11/1926 Glenn 381/384
- 2,437,049 A * 3/1948 Salisbury et al. 128/866
- 3,073,410 A * 1/1963 Gongoll et al. 2/209
- 3,440,663 A * 4/1969 Beguin 2/209
- 3,593,341 A * 7/1971 Aileo 2/209
- 4,459,707 A * 7/1984 Stallings 2/209
- D328,074 S * 7/1992 Yamazaki et al. D14/205
- D328,461 S * 8/1992 Daido et al. D14/205
- 5,293,647 A * 3/1994 Mirmilshsteyn et al. 2/209
- D353,817 S * 12/1994 Wada D14/205
- D375,312 S * 11/1996 Kanno D14/205
- 5,751,825 A * 5/1998 Myers et al. 381/118
- 5,829,062 A * 11/1998 Magidson 2/209
- 5,996,123 A * 12/1999 Leight et al. 2/209
- D420,356 S * 2/2000 Suzuki D14/205

- D435,249 S * 12/2000 Yasutomi D14/205
- 6,449,806 B1 * 9/2002 Engelhard et al. 24/3.1
- D484,485 S * 12/2003 Matsuoka D14/205
- D491,163 S * 6/2004 Green D14/205
- D518,474 S 4/2006 Suzuki
- D532,407 S 11/2006 Motoishi
- D541,255 S * 4/2007 Taylor et al. D14/205
- D549,688 S 8/2007 Suzuki

FOREIGN PATENT DOCUMENTS

- JP D1274581 S 6/2006
- JP D1280063 S 9/2006

OTHER PUBLICATIONS

Office Action of Design Patent Application No. D2007-024738 mailed on Jun. 3, 2008 (Japan). Patent Office Prior Art No. HA17015123, "DOS/V magazine Dec. 1, 2005", vol. 12 p. 178, Japan.

* cited by examiner

Primary Examiner—Paula Greene

(74) *Attorney, Agent, or Firm*—Rader, Fishman & Grauer, PLLC

(57) **CLAIM**

The ornamental design for a headphone, as shown.

DESCRIPTION

FIG. 1 is a front perspective view of a headphone showing my new design;

FIG. 2 is a front elevational view thereof;

FIG. 3 is a rear elevational view thereof;

FIG. 4 is a left side elevational view thereof;

FIG. 5 is a right side elevational view thereof;

FIG. 6 is a top plan view thereof; and,

FIG. 7 is a bottom plan view thereof.

1 Claim, 7 Drawing Sheets

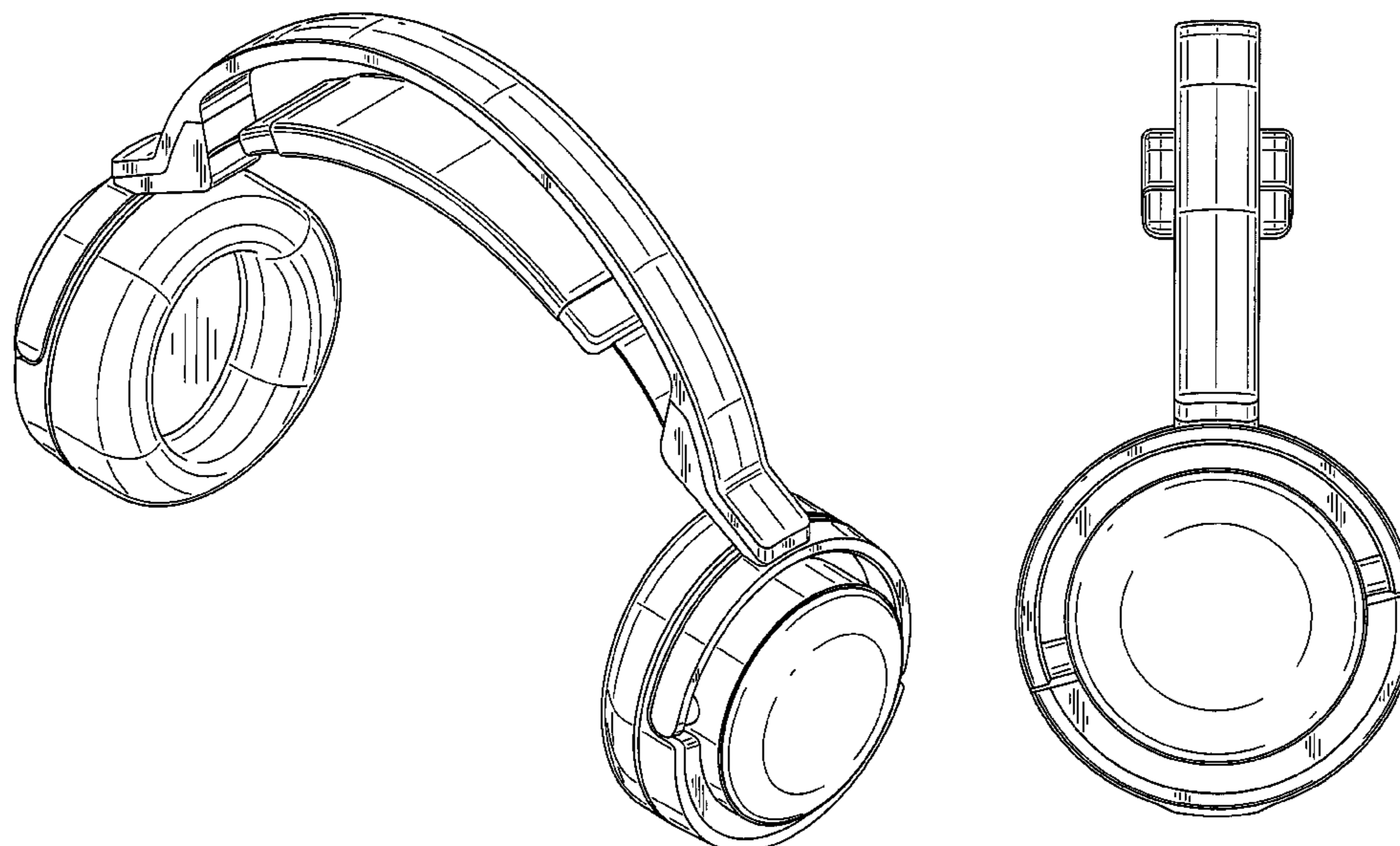
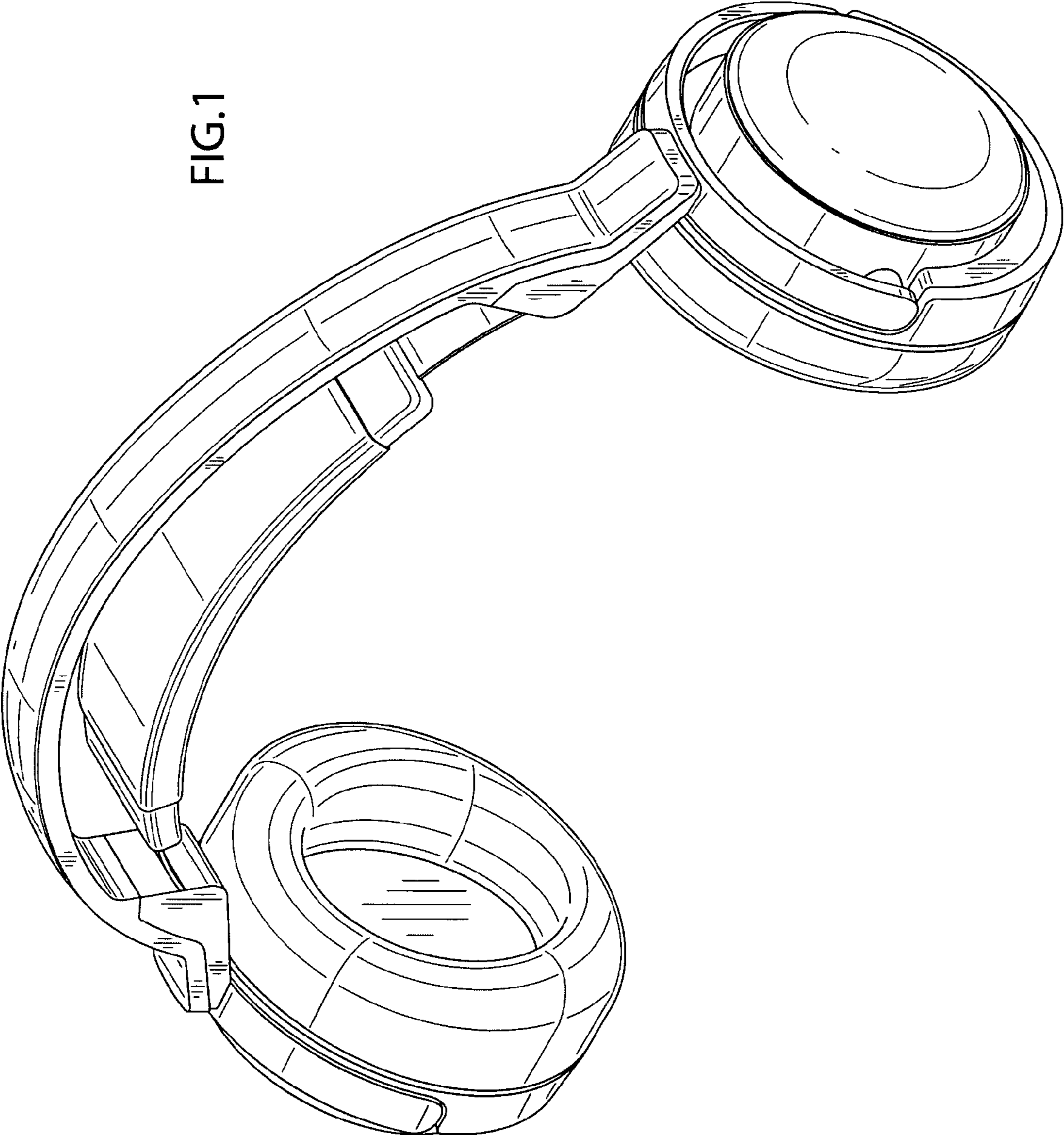


FIG.1



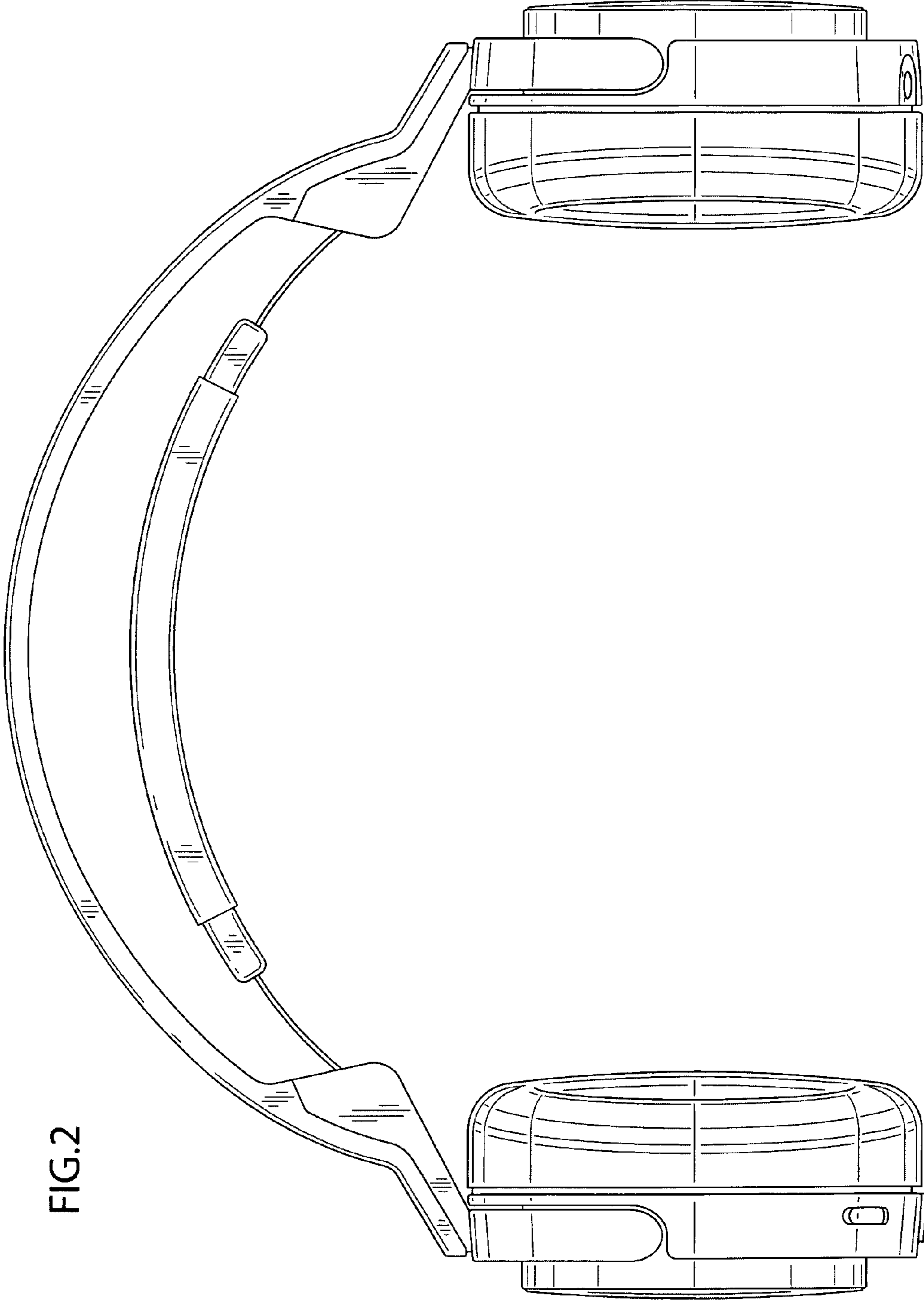


FIG.2

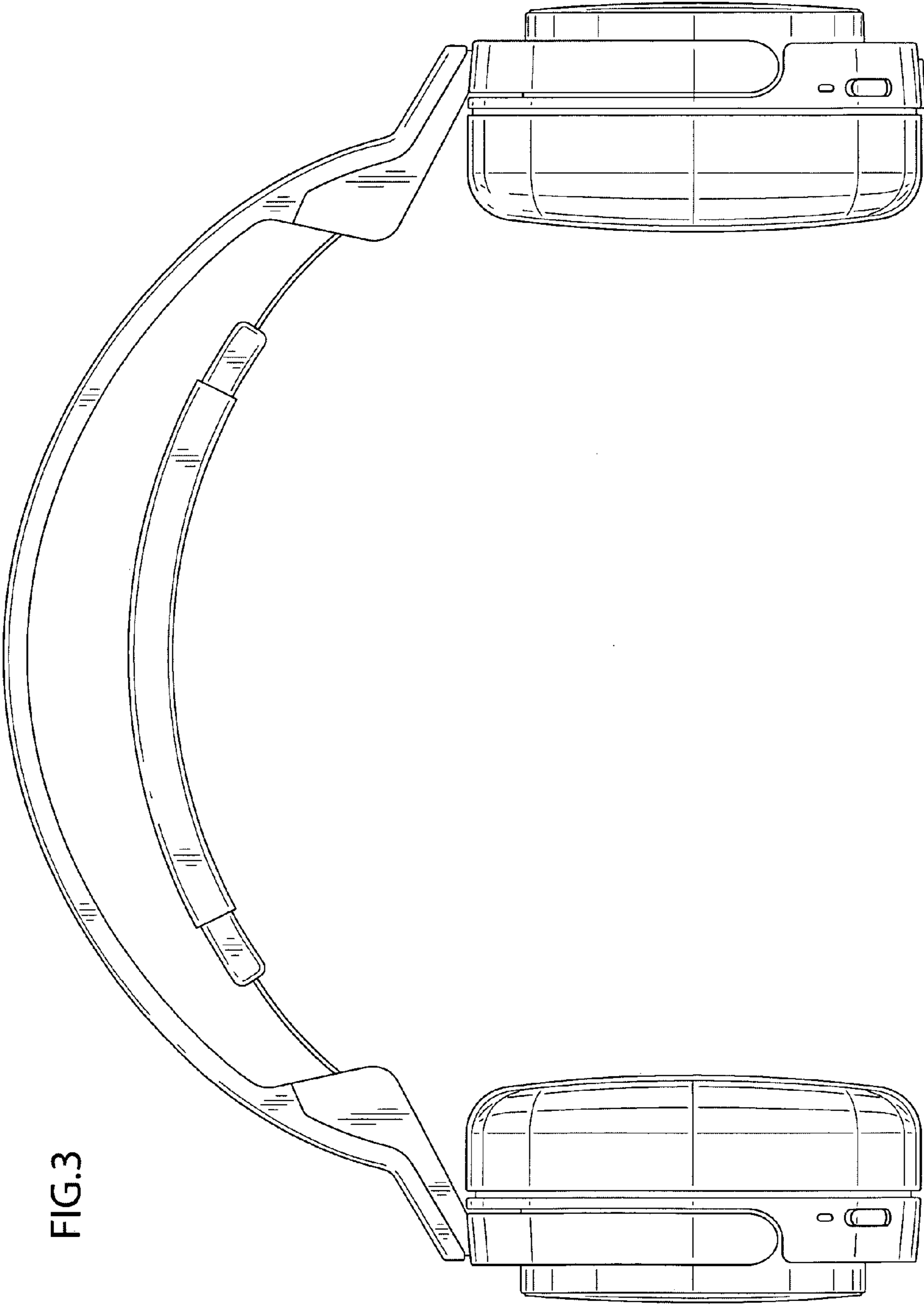


FIG.3

FIG.4

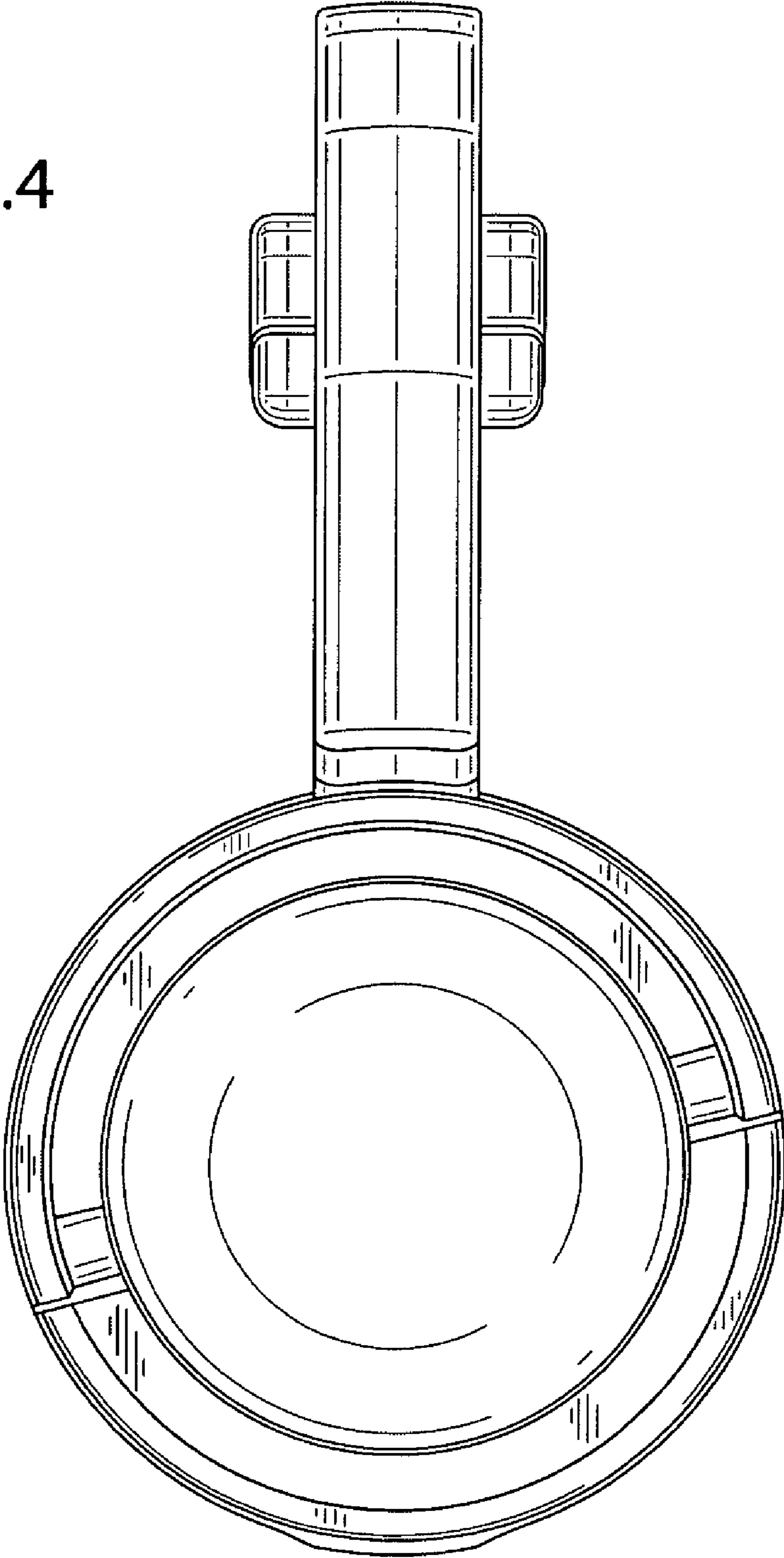


FIG.5

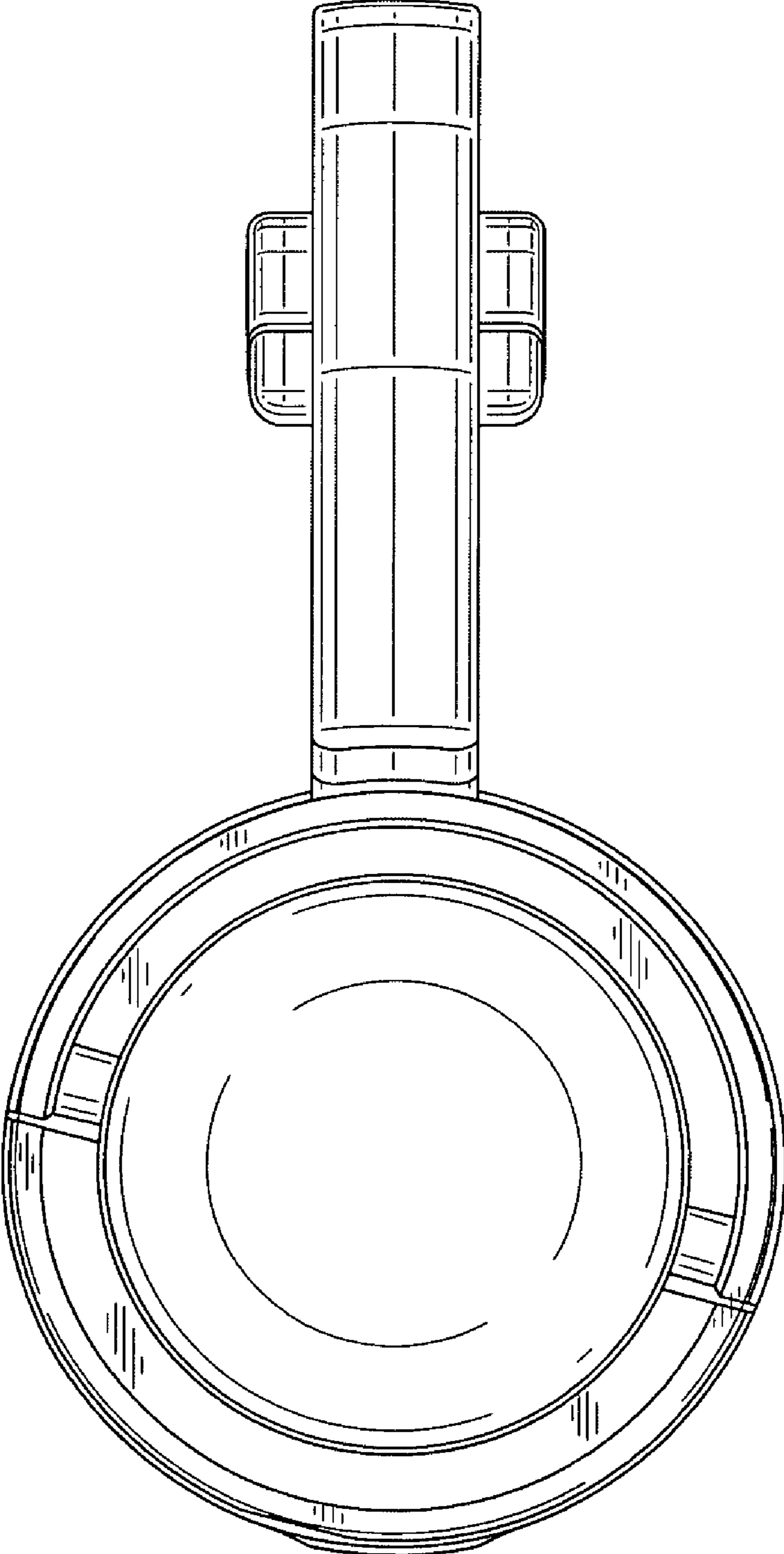


FIG.6

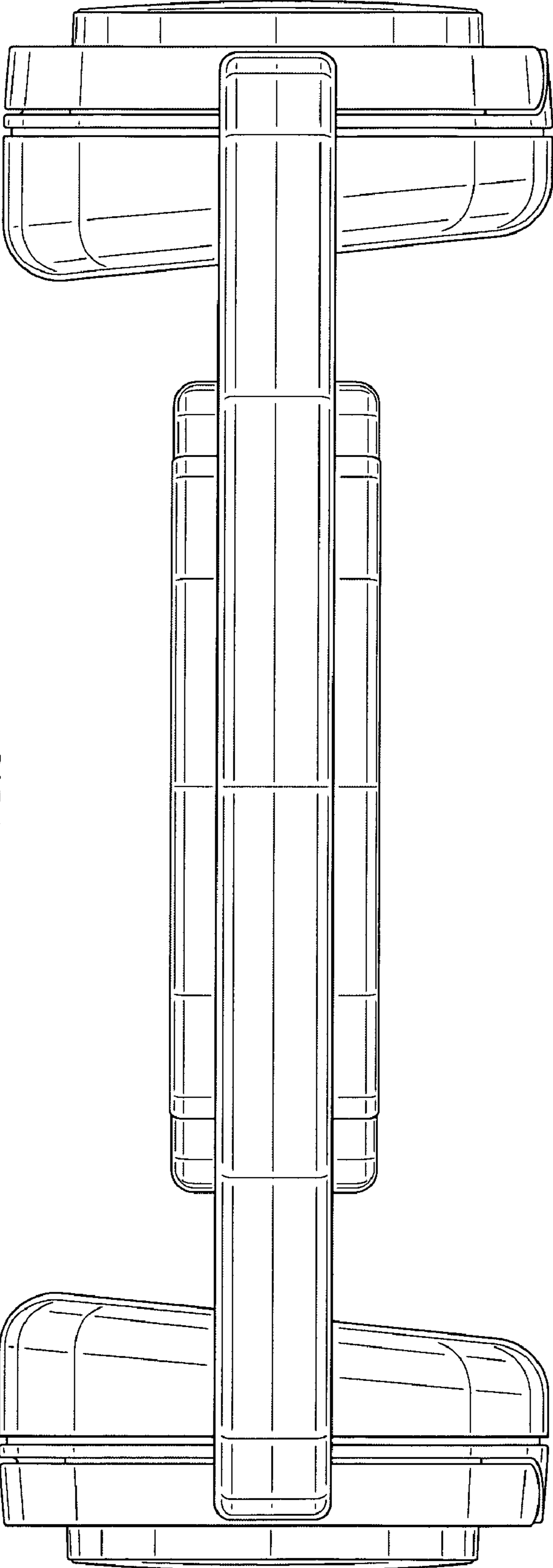


FIG.7

