



US00D588096S

(12) **United States Design Patent**  
**Burbaev et al.**

(10) **Patent No.:** **US D588,096 S**  
(45) **Date of Patent:** **\*\* Mar. 10, 2009**

(54) **COMPACT DISC PLAYER**

D509,223 S \* 9/2005 Steele et al. .... D14/496  
D547,326 S \* 7/2007 Ho et al. .... D14/496

(75) Inventors: **Timur Burbaev**, Moscow (RU); **Alexey Sharshakov**, Moscow (RU); **Bertrand Clerc**, Moscow (RU)

\* cited by examiner

*Primary Examiner*—Nanda Bondade  
(74) *Attorney, Agent, or Firm*—Conley Rose, P.C.

(73) Assignee: **Loit Design Private Limited**, Singapore (SG)

(57) **CLAIM**

(\*\*) Term: **14 Years**

The ornamental design for compact disc player, as shown.

(21) Appl. No.: **29/284,679**

**DESCRIPTION**

(22) Filed: **Sep. 13, 2007**

FIG. 1 is a top, front and left perspective view of a compact disc player showing our new design;

(30) **Foreign Application Priority Data**

Mar. 14, 2007 (SG) ..... D2007/314/E

FIG. 2 is a front elevational view thereof;

FIG. 3 is a rear elevational view thereof;

(51) **LOC (9) Cl.** ..... **14-01**

(52) **U.S. Cl.** ..... **D14/156; D14/168**

(58) **Field of Classification Search** ..... D14/135–136,  
D14/156–157, 167–168, 198, 188, 445, 496;  
360/99.02, 99.07; 369/75.11, 75.21, 77.21,  
369/77.11; 720/612, 619, 647, 655; 455/344,  
455/347–351

FIG. 4 is a top plan view thereof;

FIG. 5 is a bottom plan view thereof;

FIG. 6 is a left side elevational view thereof;

FIG. 7 is a right side elevational view thereof;

FIG. 8 is a top, front and right side perspective view thereof;

FIG. 9 is a top front perspective view thereof;

FIG. 10 is a top, right and rear perspective view thereof;

FIG. 11 is a top, left and rear perspective view thereof; and,

FIG. 12 is a top rear perspective view thereof.

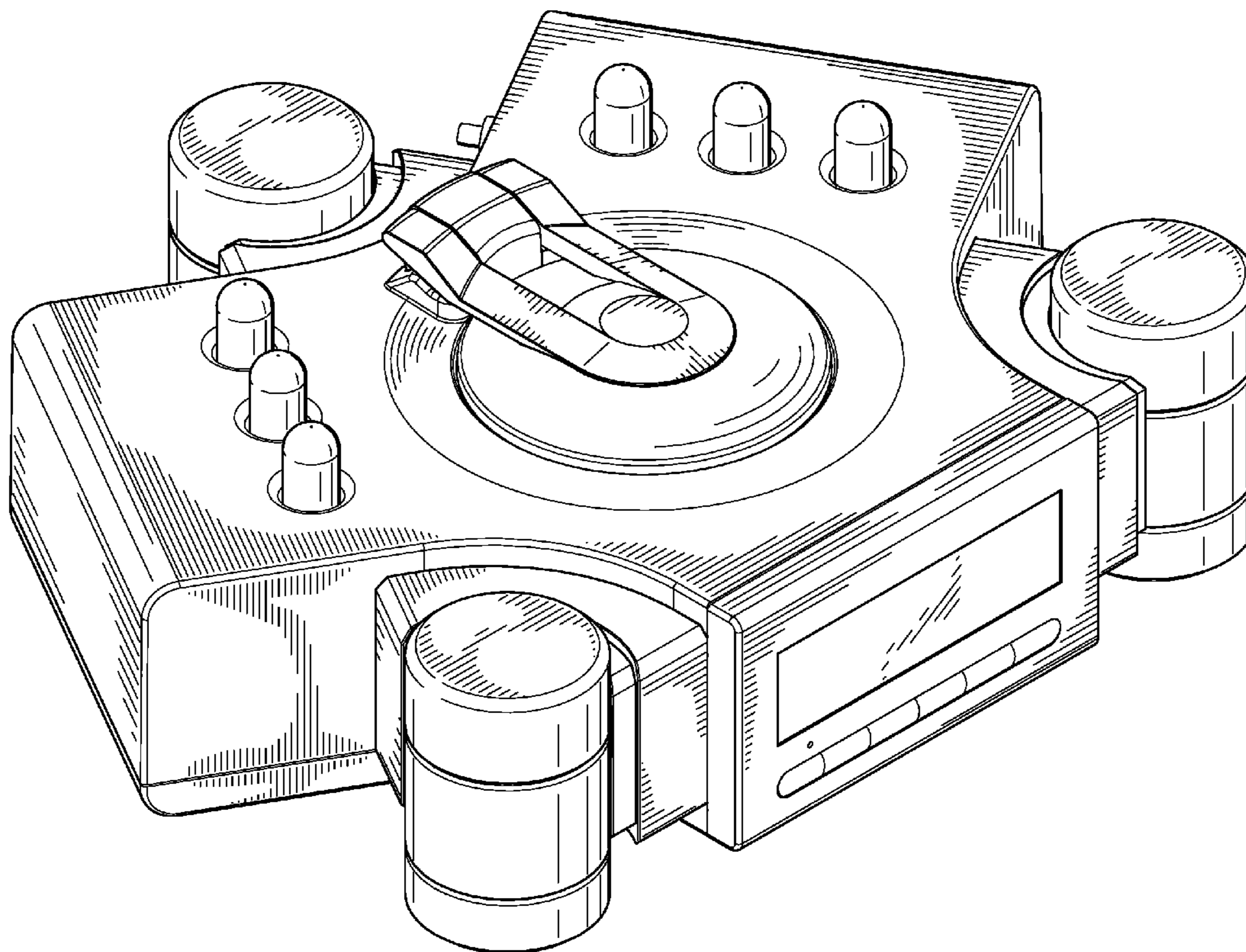
See application file for complete search history.

(56) **References Cited**

**U.S. PATENT DOCUMENTS**

D466,887 S \* 12/2002 Lewis ..... D14/216

**1 Claim, 10 Drawing Sheets**



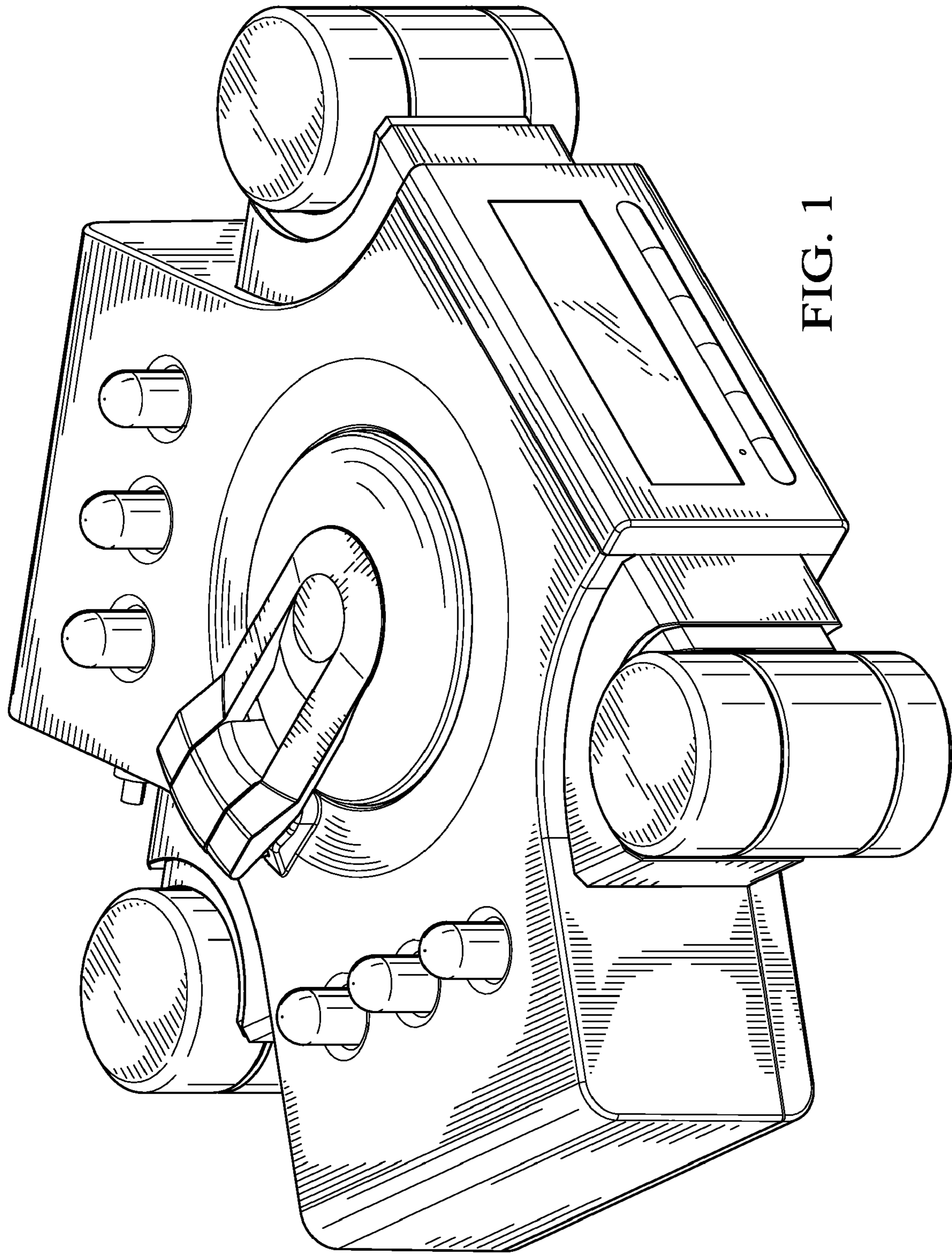


FIG. 1

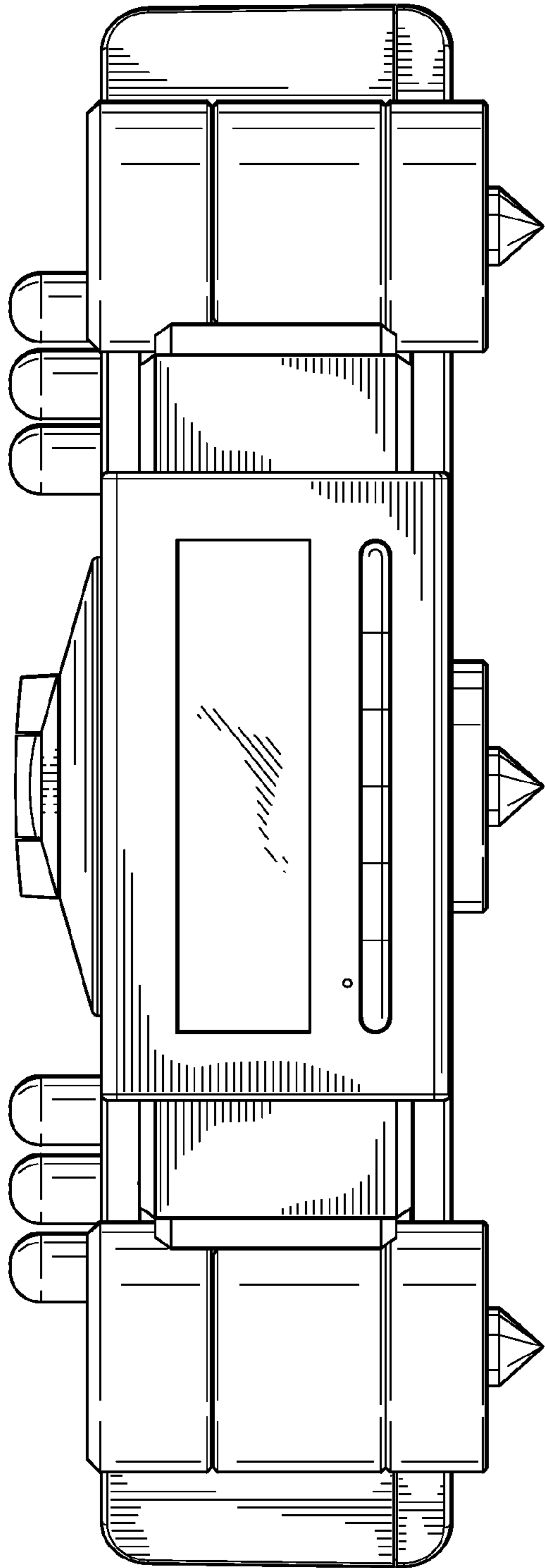


FIG. 2

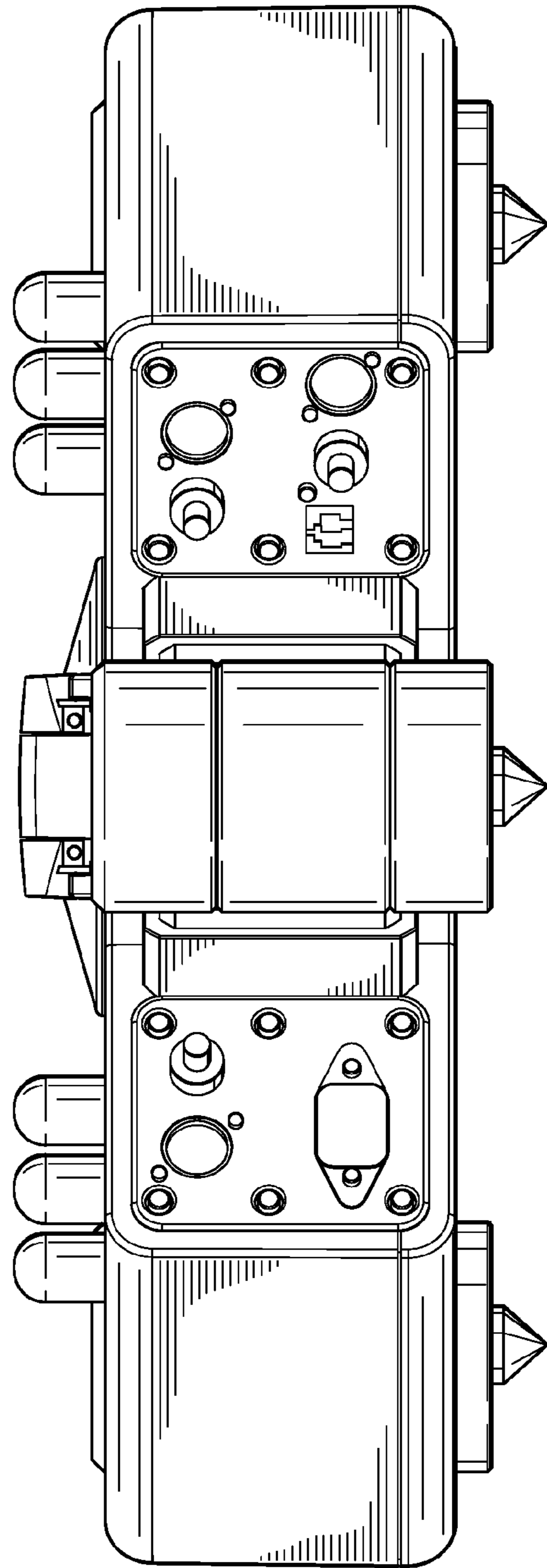


FIG. 3



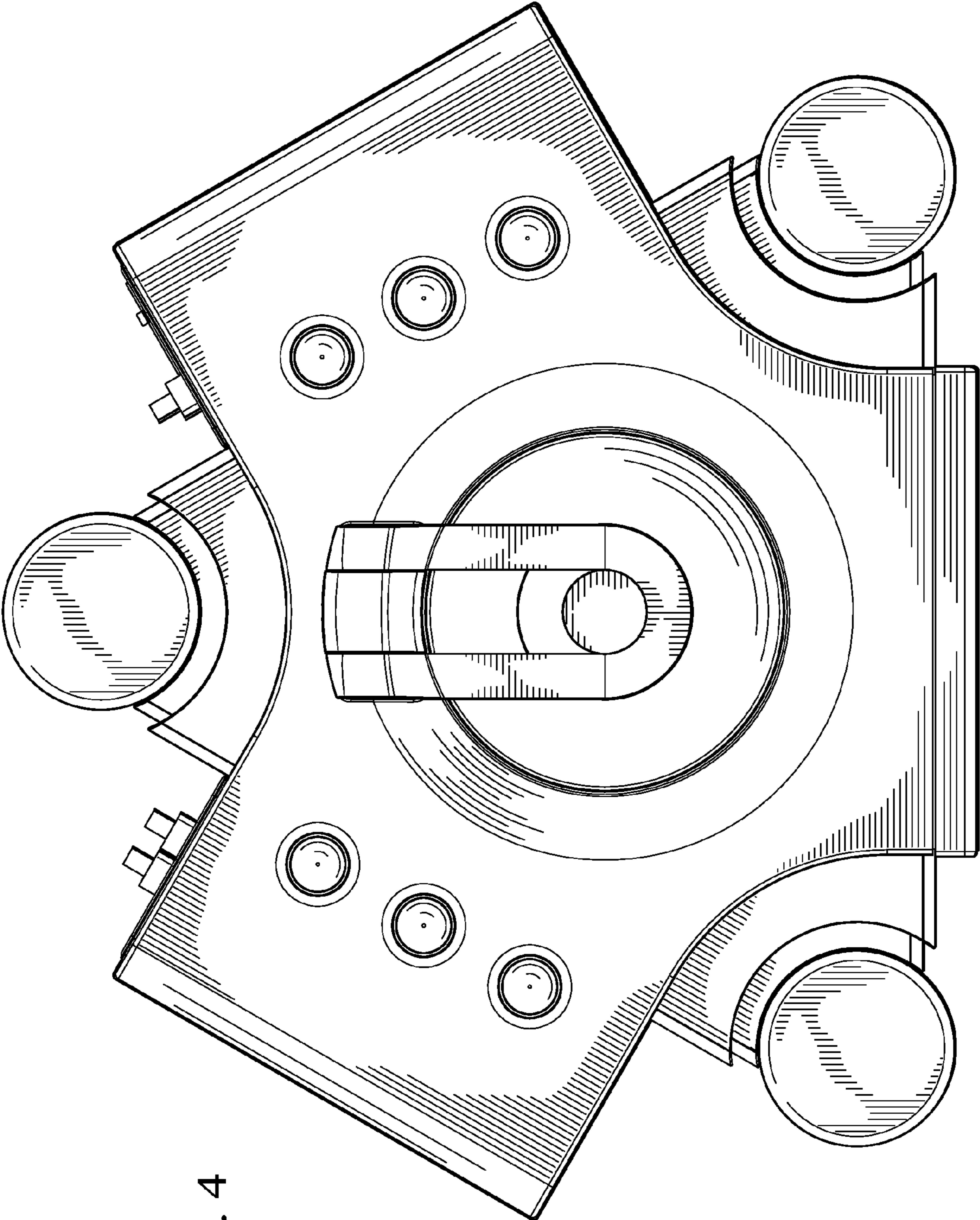


FIG. 4

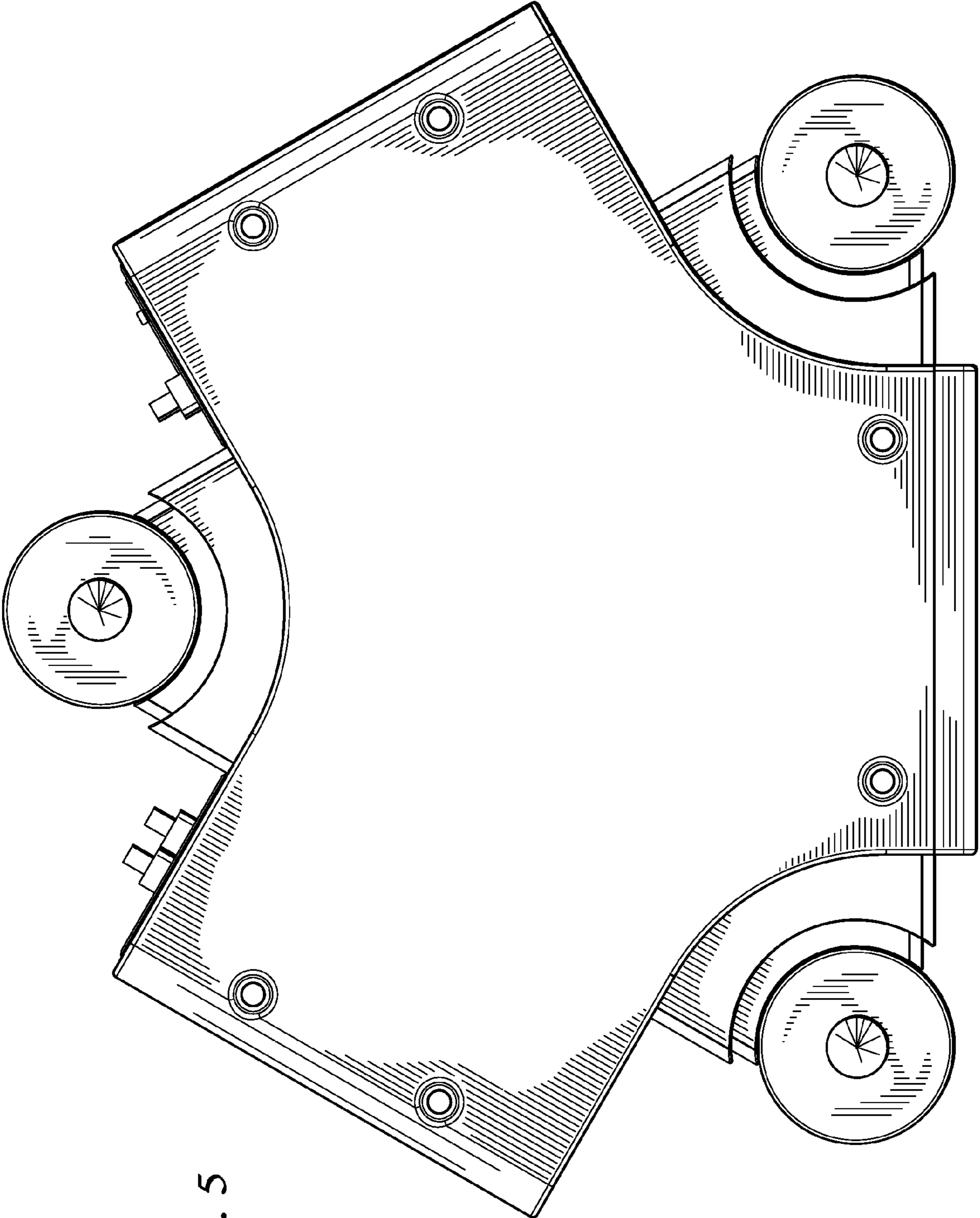


FIG. 5

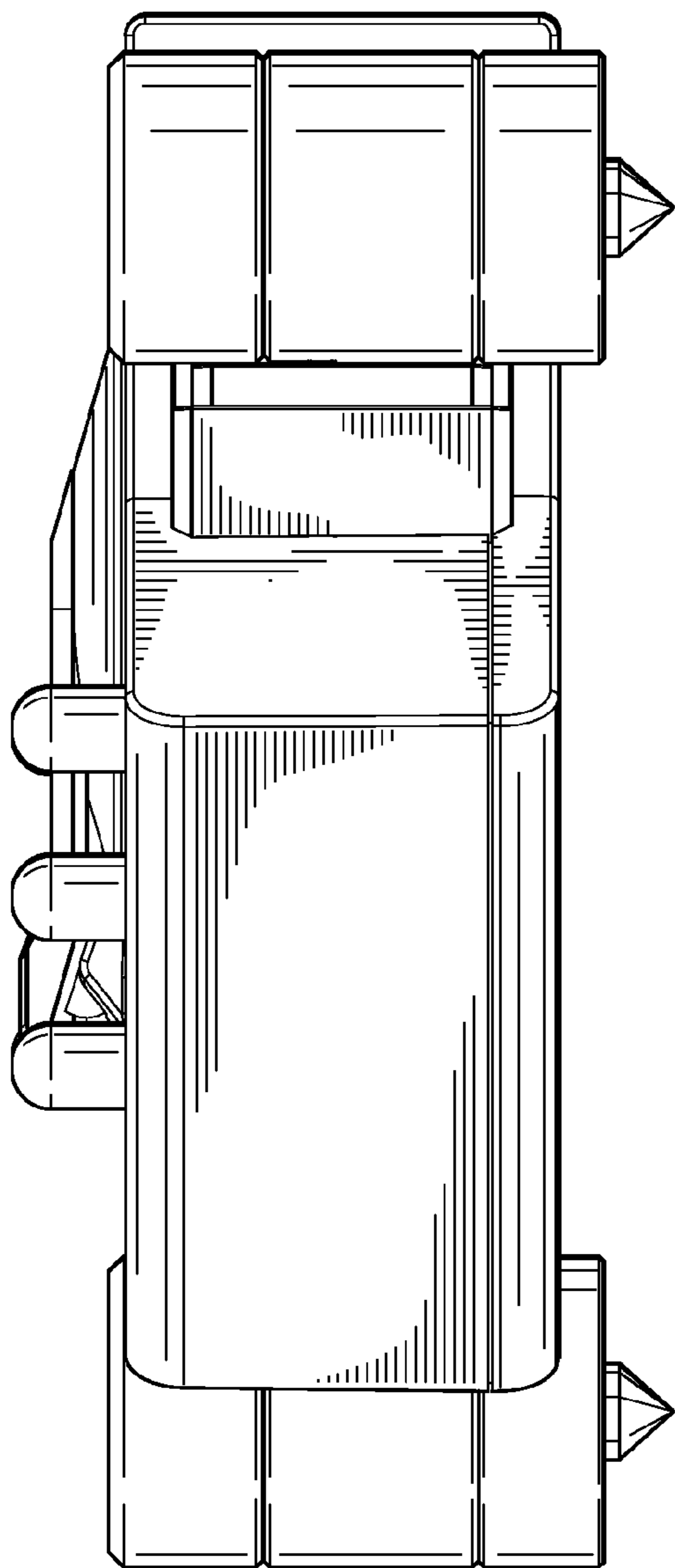


FIG. 6

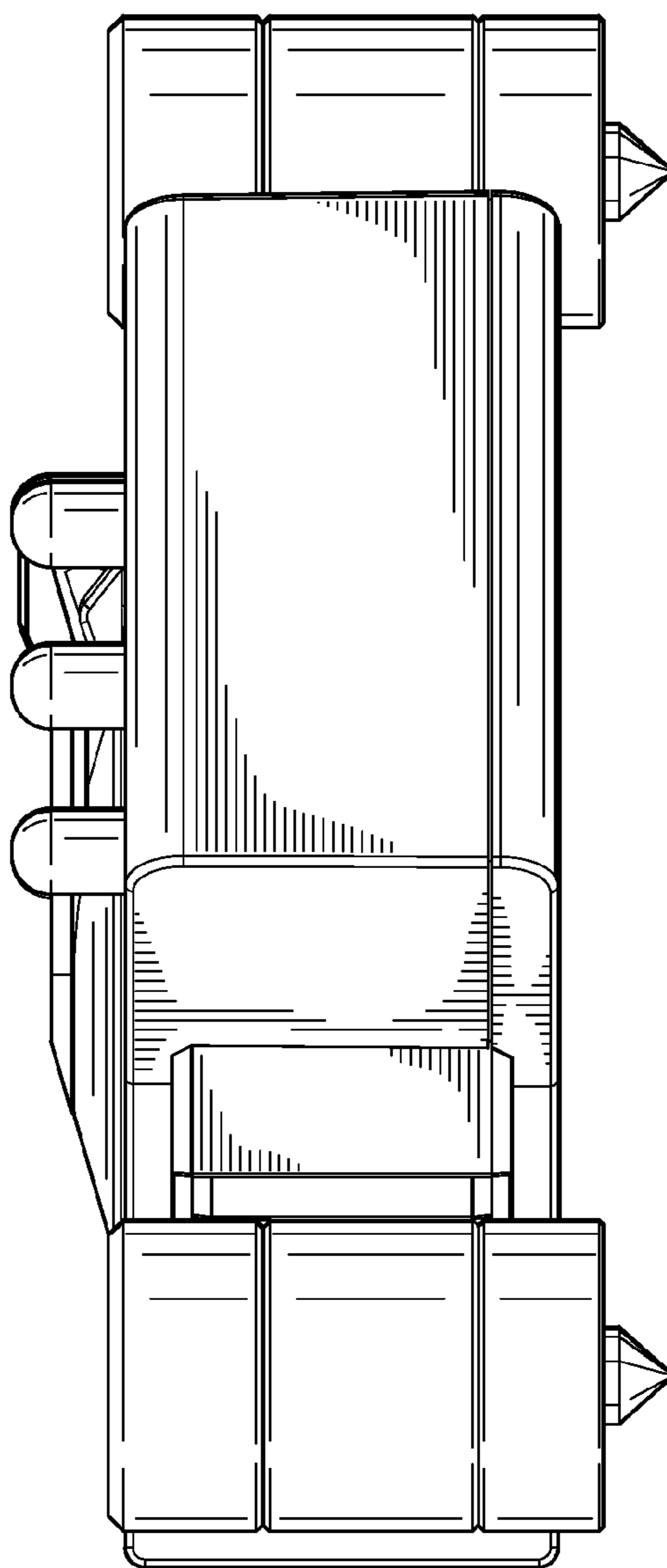


FIG. 7



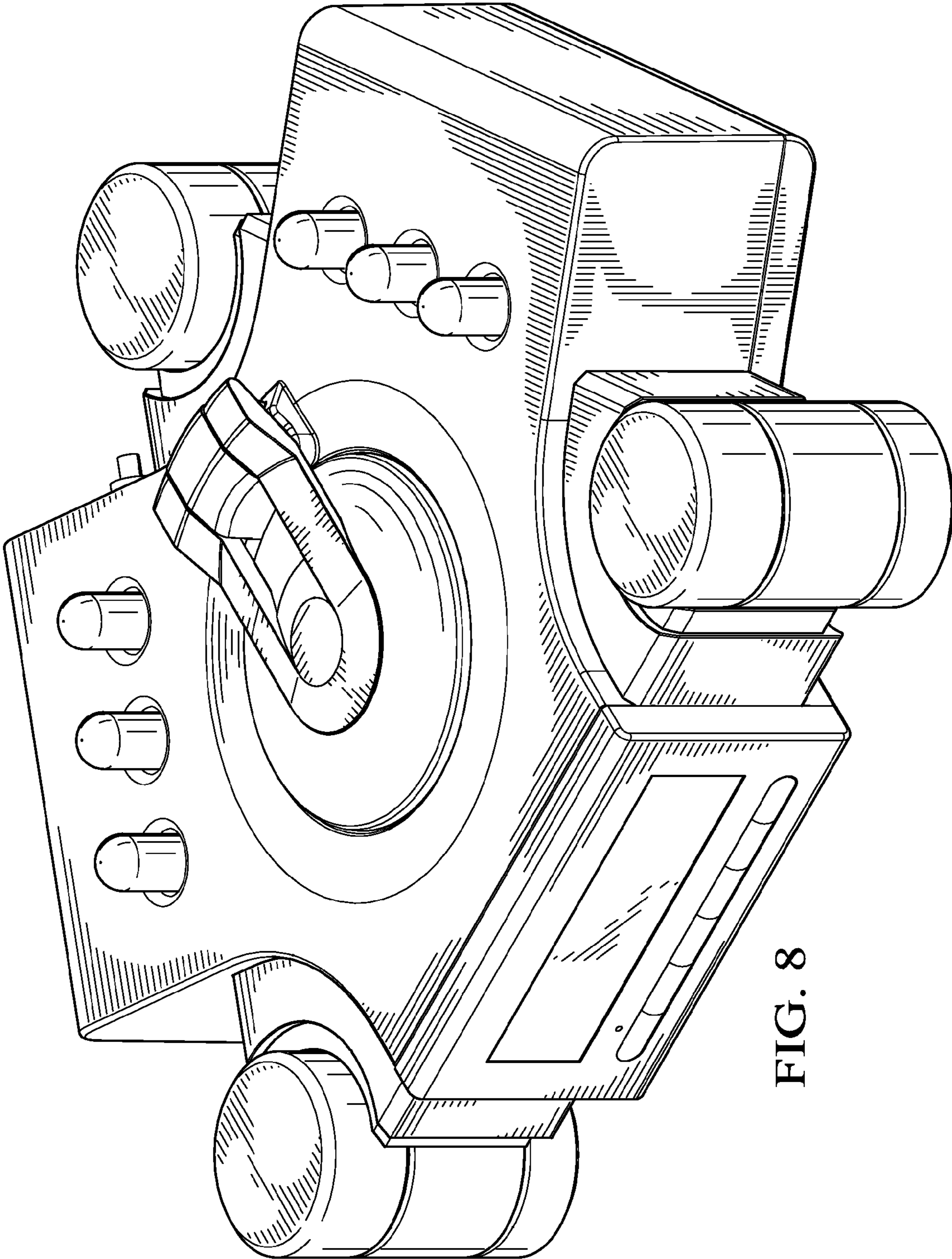


FIG. 8

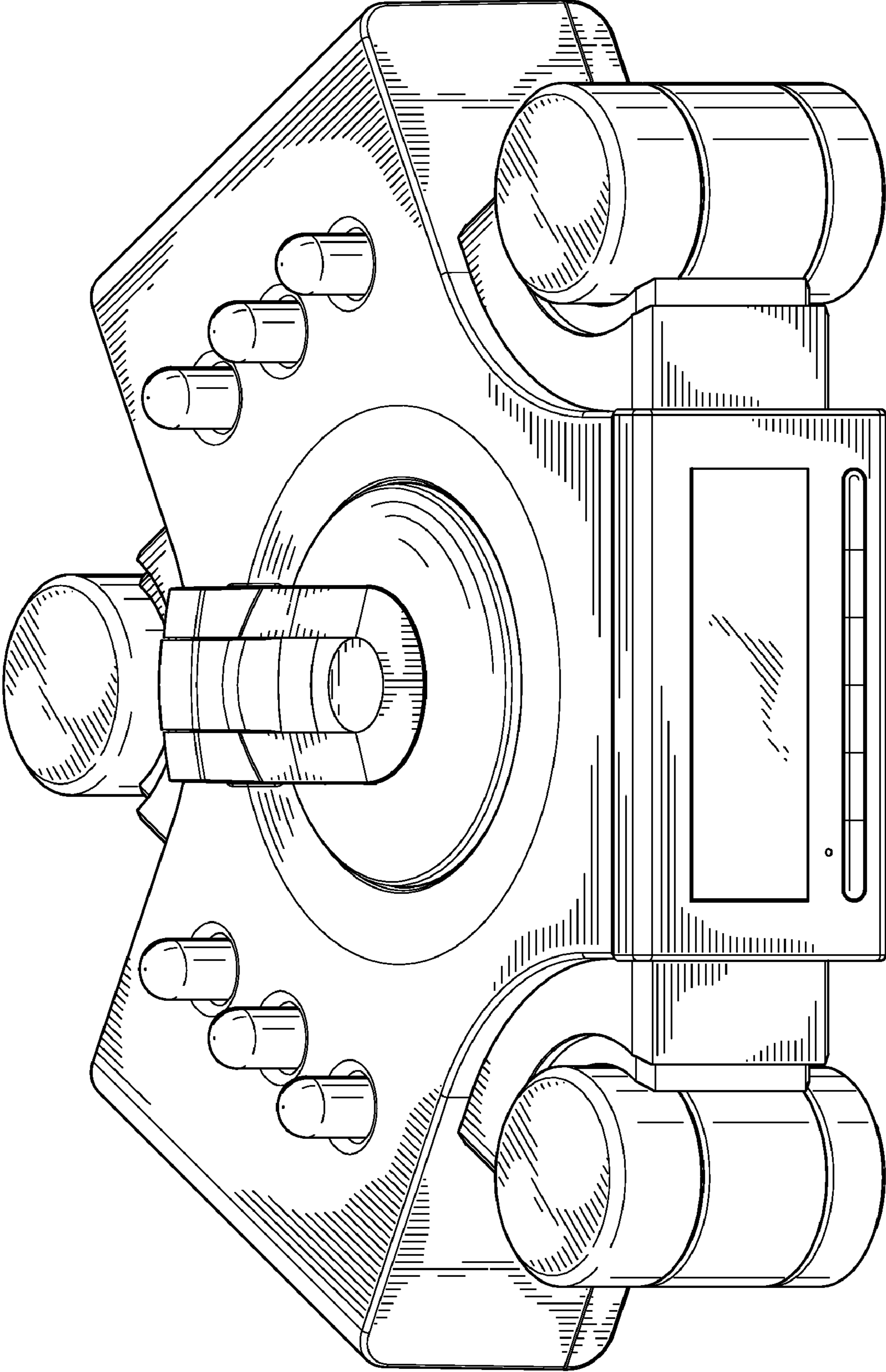


FIG. 9



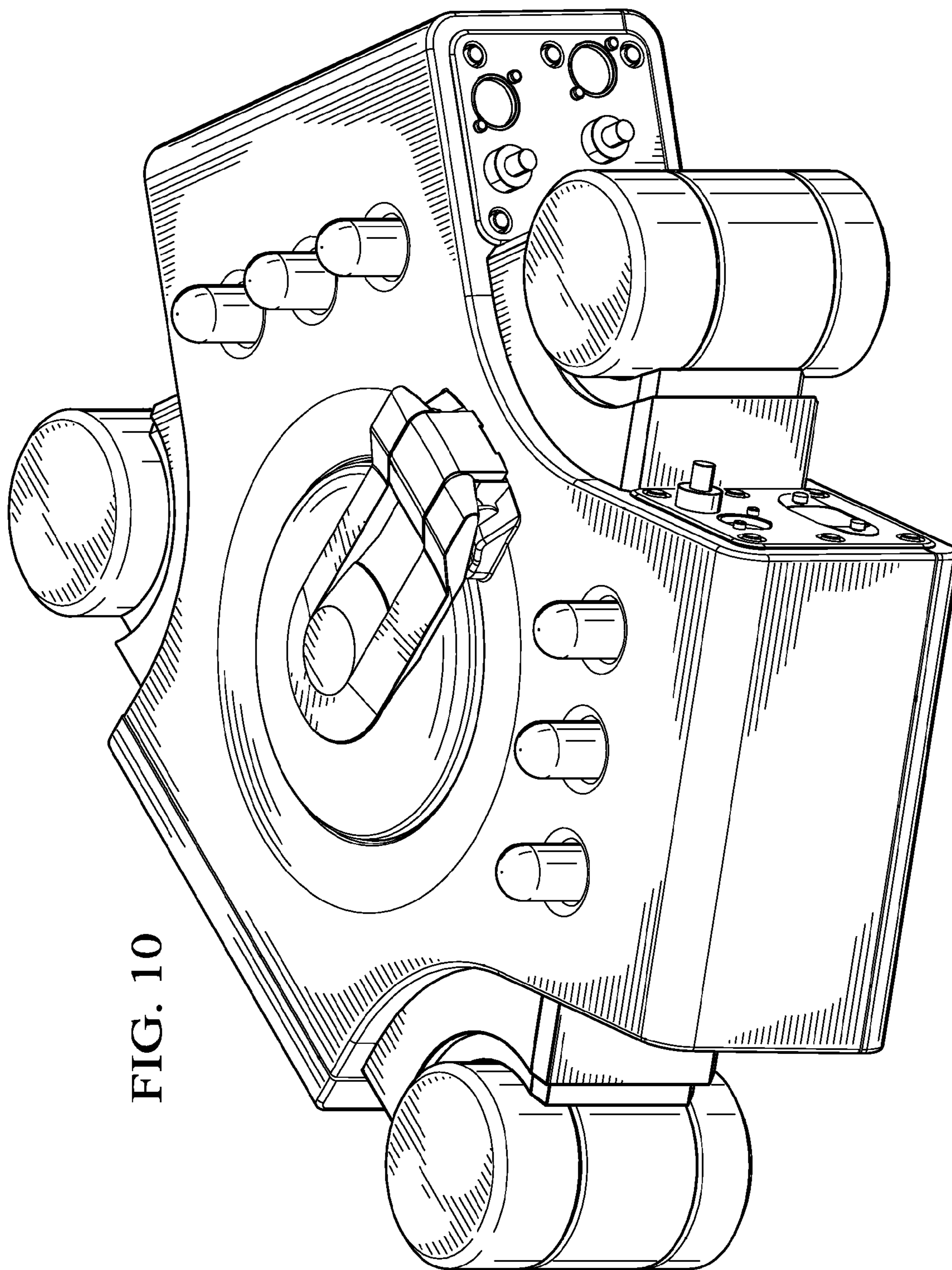


FIG. 10

FIG. 11

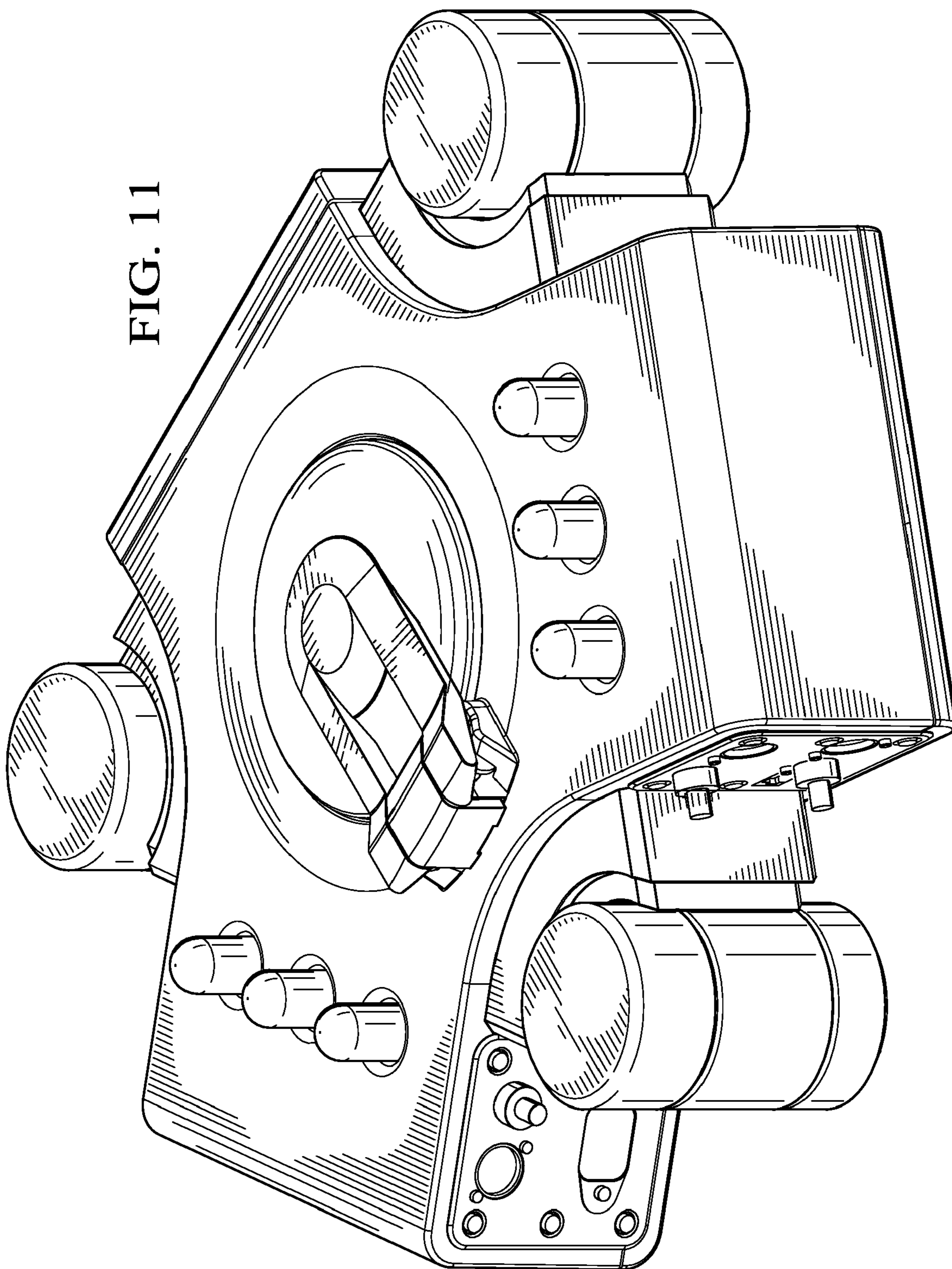




FIG. 12

