

US00D588092S

(12) **United States Design Patent**
Nilsen et al.

(10) **Patent No.:** **US D588,092 S**
(45) **Date of Patent:** **** Mar. 10, 2009**

(54) **COMMUNICATION DEVICE**

(75) Inventors: **Ryan M. Nilsen**, Pompano Beach, FL (US); **William H. Robertson, Jr.**, Fort Lauderdale, FL (US); **Claudio S. Ribeiro**, Evanston, IL (US)

(73) Assignee: **Motorola, Inc.**, Schaumburg, IL (US)

(**) Term: **14 Years**

(21) Appl. No.: **29/322,172**

(22) Filed: **Jul. 30, 2008**

(51) **LOC (9) Cl.** **14-03**

(52) **U.S. Cl.** **D14/138 AB**

(58) **Field of Classification Search** D14/138,
D14/496, 341, 345, 346; 455/575.3, 575.1
See application file for complete search history.

(56) **References Cited**

U.S. PATENT DOCUMENTS

D458,913	S *	6/2002	Suzuki et al.	D14/138 AB
D513,505	S *	1/2006	Lee	D14/138 AB
7,050,293	B2 *	5/2006	Arbisi et al.	361/681
D535,635	S *	1/2007	Hwang et al.	D14/138 AB
D537,061	S *	2/2007	Oh	D14/138 AB
D537,426	S *	2/2007	Arbisi	D14/138 AB
D546,312	S *	7/2007	Han et al.	D14/138 AB
D552,055	S *	10/2007	Lheem	D14/138 AB
D554,094	S *	10/2007	Ribeiro et al.	D14/138 AB
D559,216	S *	1/2008	Sheu	D14/138 AB
D559,217	S *	1/2008	Helin et al.	D14/138 AB
D563,358	S *	3/2008	Baik et al.	D14/138 AB
D565,019	S *	3/2008	Klemettila et al. ...	D14/138 AB
D565,529	S *	4/2008	Dry et al.	D14/138 AB
D566,079	S *	4/2008	Kim	D14/138 AB
D566,087	S *	4/2008	Choi	D14/138 AB
D567,787	S *	4/2008	Lee et al.	D14/138 AB
D569,825	S *	5/2008	Kim et al.	D14/138 AB
D569,831	S *	5/2008	Chung et al.	D14/138 AB
D570,813	S *	6/2008	Song et al.	D14/138 AB
D571,338	S *	6/2008	Yoon	D14/138

D575,758	S *	8/2008	Nilsen et al.	D14/138
D578,498	S *	10/2008	Choi et al.	D14/138 R
2005/0136970	A1 *	6/2005	Kim	455/550.1

OTHER PUBLICATIONS

Motorola EM28 telephone, announced Aug. 2008, [online], [site visited Oct. 27, 2008]. Available from Internet ,<URL: <http://www.gsmarena.com>>.*

(Continued)

Primary Examiner—Jeffrey D Asch

(74) *Attorney, Agent, or Firm*—Larry G. Brown

(57) **CLAIM**

The ornamental design for a communication device, as shown and described.

DESCRIPTION

FIG. 1 is a perspective view of an ornamental design for a communication device.

FIG. 2 is a front view thereof;

FIG. 3 is a rear view thereof;

FIG. 4 is a first side view thereof;

FIG. 5 is a second side view thereof;

FIG. 6 is a top view thereof;

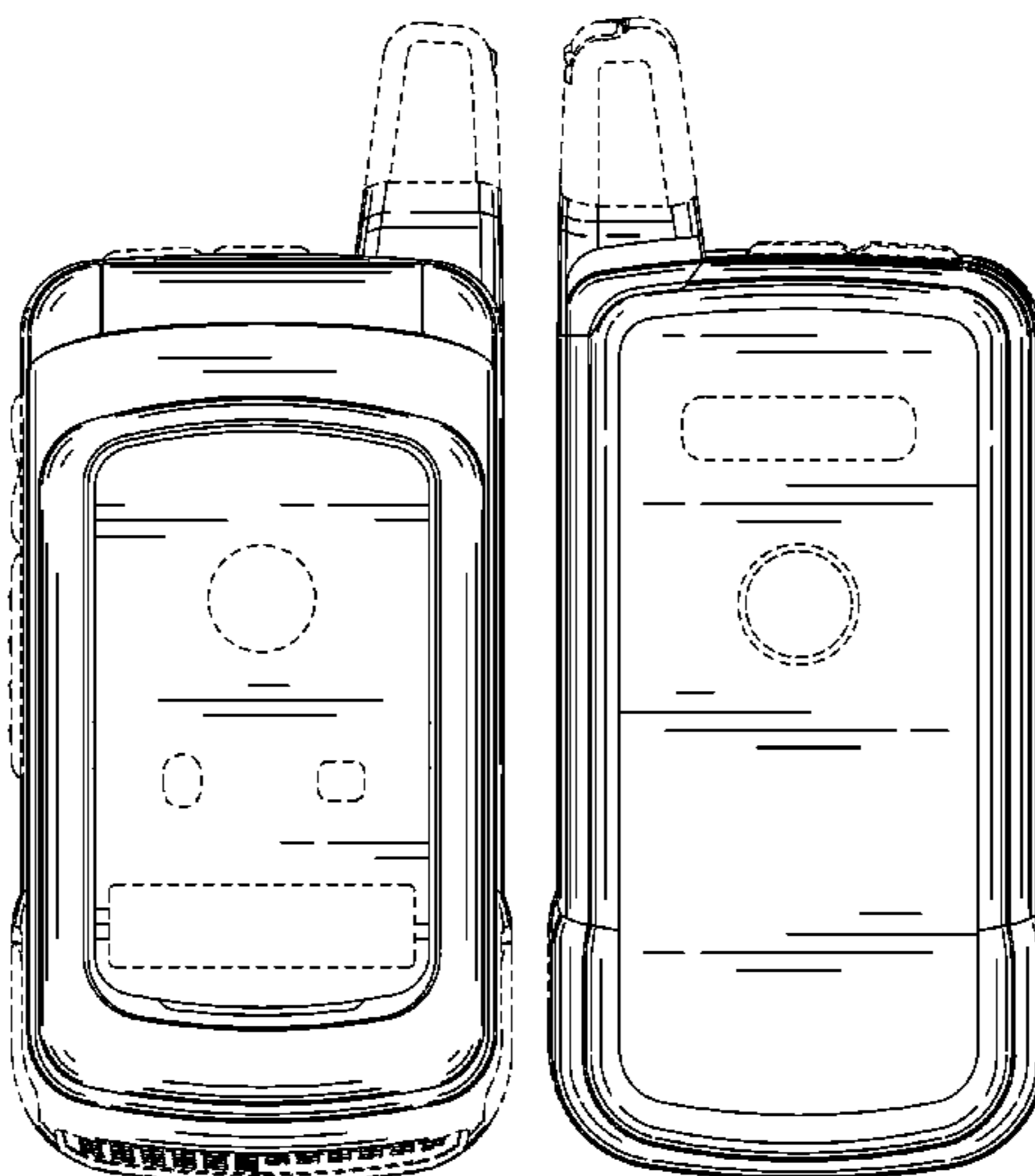
FIG. 7 is a bottom view thereof;

FIG. 8 is an open perspective view thereof; and,

FIG. 9 is an open front view thereof.

The broken lines throughout the views, which are immediately adjacent to the shaded areas and define unshaded regions, represent the bounds of the claimed design, while all other broken lines are directed to environment and are for illustrative purposes only; the broken lines form no part of the claimed design. The two large unshaded regions in FIGS. 8 and 9, which are outlined by solid lines and define the keypad area and the display area, form no part of the claimed design.

1 Claim, 7 Drawing Sheets



OTHER PUBLICATIONS

Motorola V230 telephone, announced 1st quarter 2005, [online], [site visited Oct. 27, 2008]. Available from Internet ,<URL: <http://www.gsmarena.com>>.*

Sony Ericsson Z1010 telephone, announced 4th quarter 2003, [online], [site visited Oct. 27, 2008]. Available from Internet ,<URL: <http://www.gsmarena.com>>.*

Sagem my900C telephone, announced Mar. 2006, [online], [site visited Oct. 27, 2008]. Available from Internet ,<URL: <http://www.gsmarena.com>>.*

BenQ E55 telephone, announced Jul. 2008, [online], [site visited Oct. 27, 2008]. Available from Internet ,<URL: <http://www.gsmarena.com>>.*

VK Mobile VK540 telephone, announced 2nd quarter 2004, [online], [site visited Oct. 27, 2008]. Available from Internet ,<URL: <http://www.gsmarena.com>>.*

Communication Device—U.S. Appl. No. 29/282,850, filed Jul. 31, 2007—Nilsen, Ryan et al.—13 Pages.

* cited by examiner

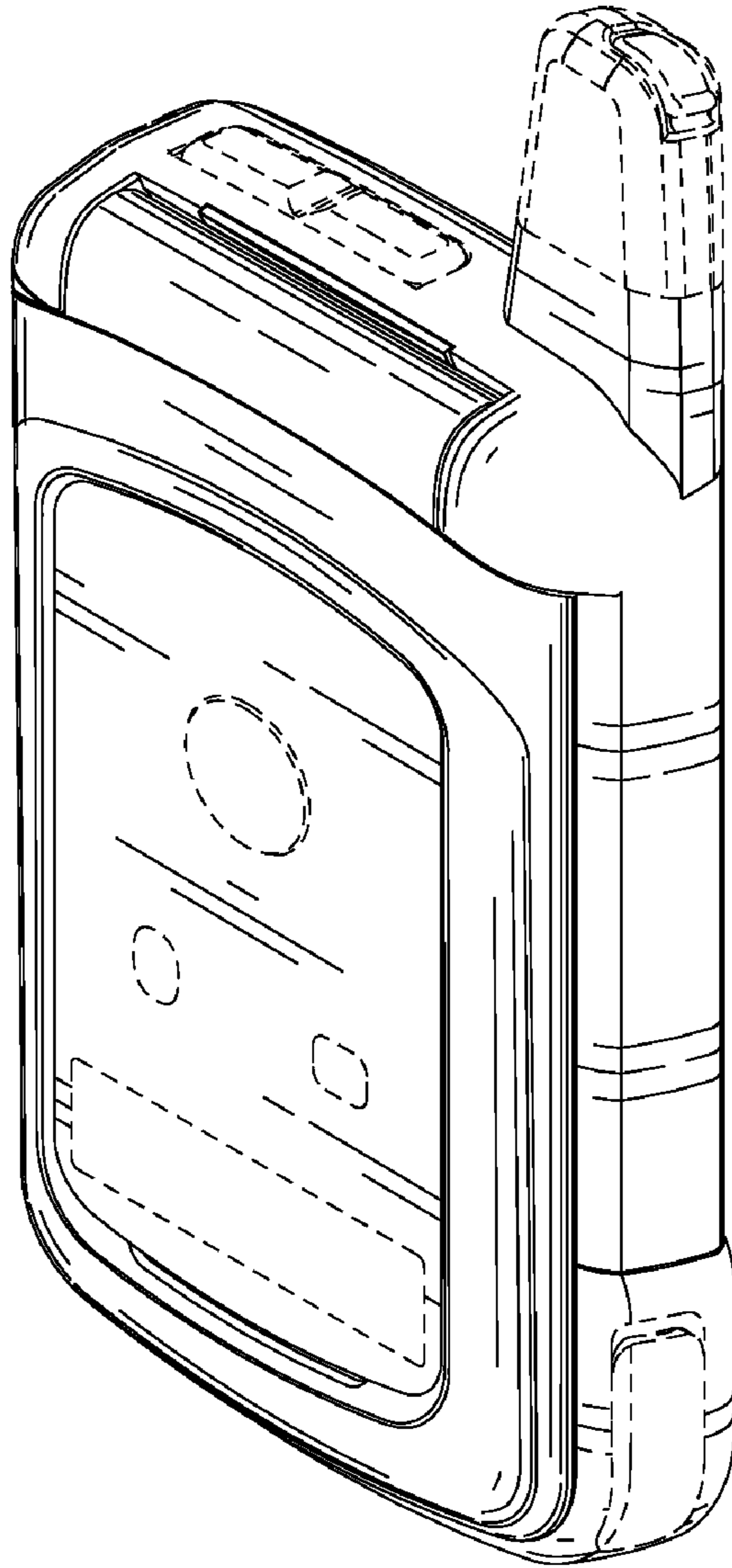


FIG. 1

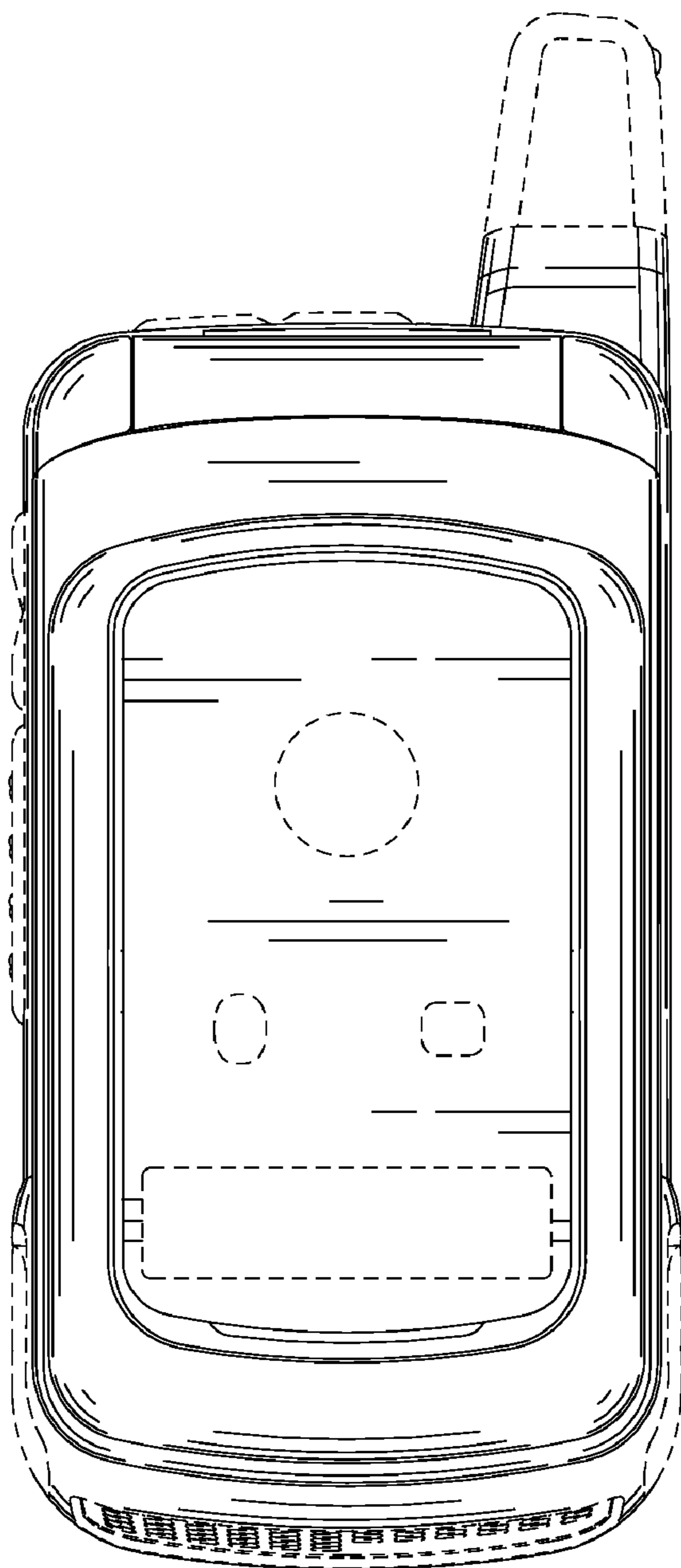


FIG. 2

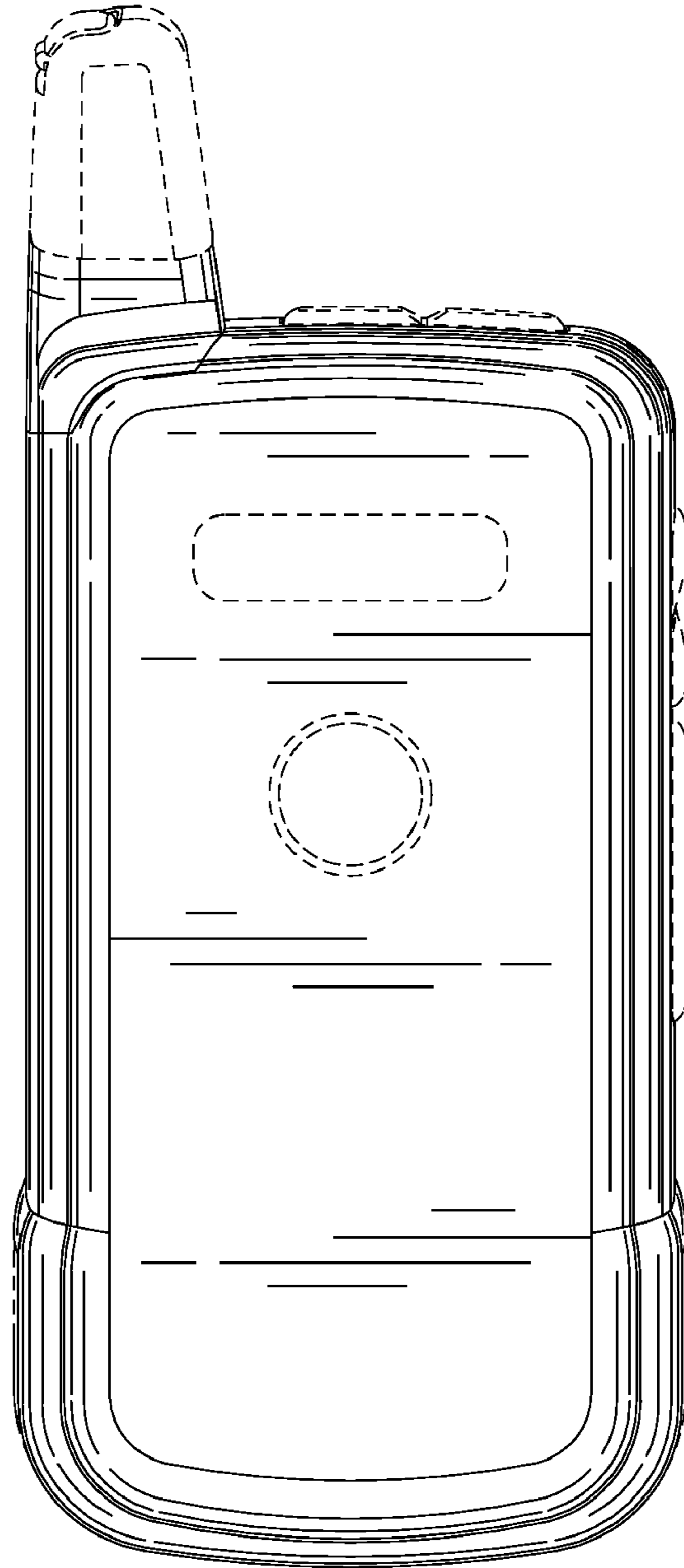


FIG. 3

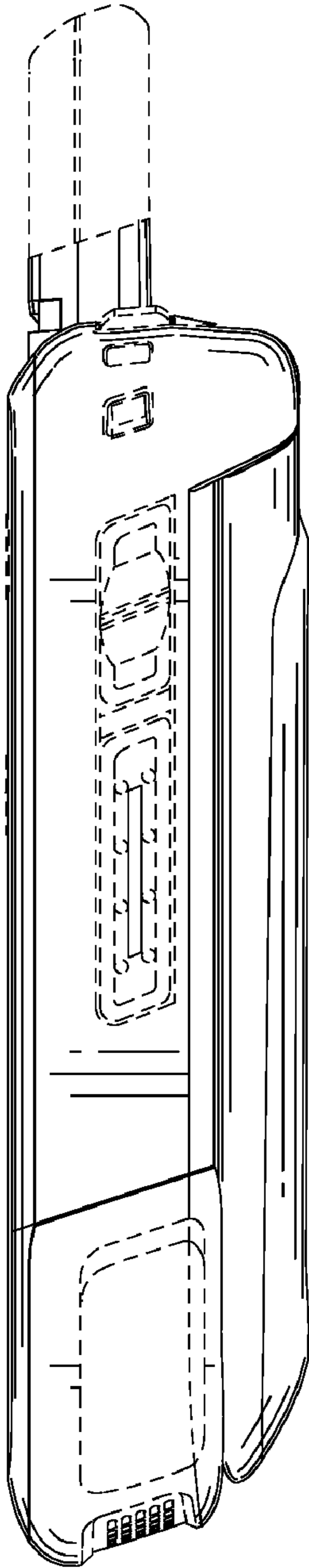


FIG. 4

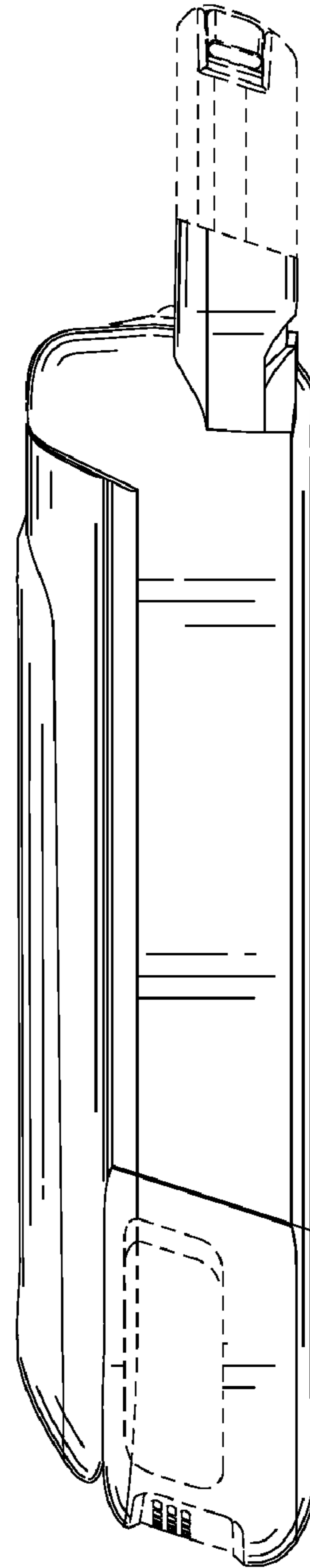


FIG. 5

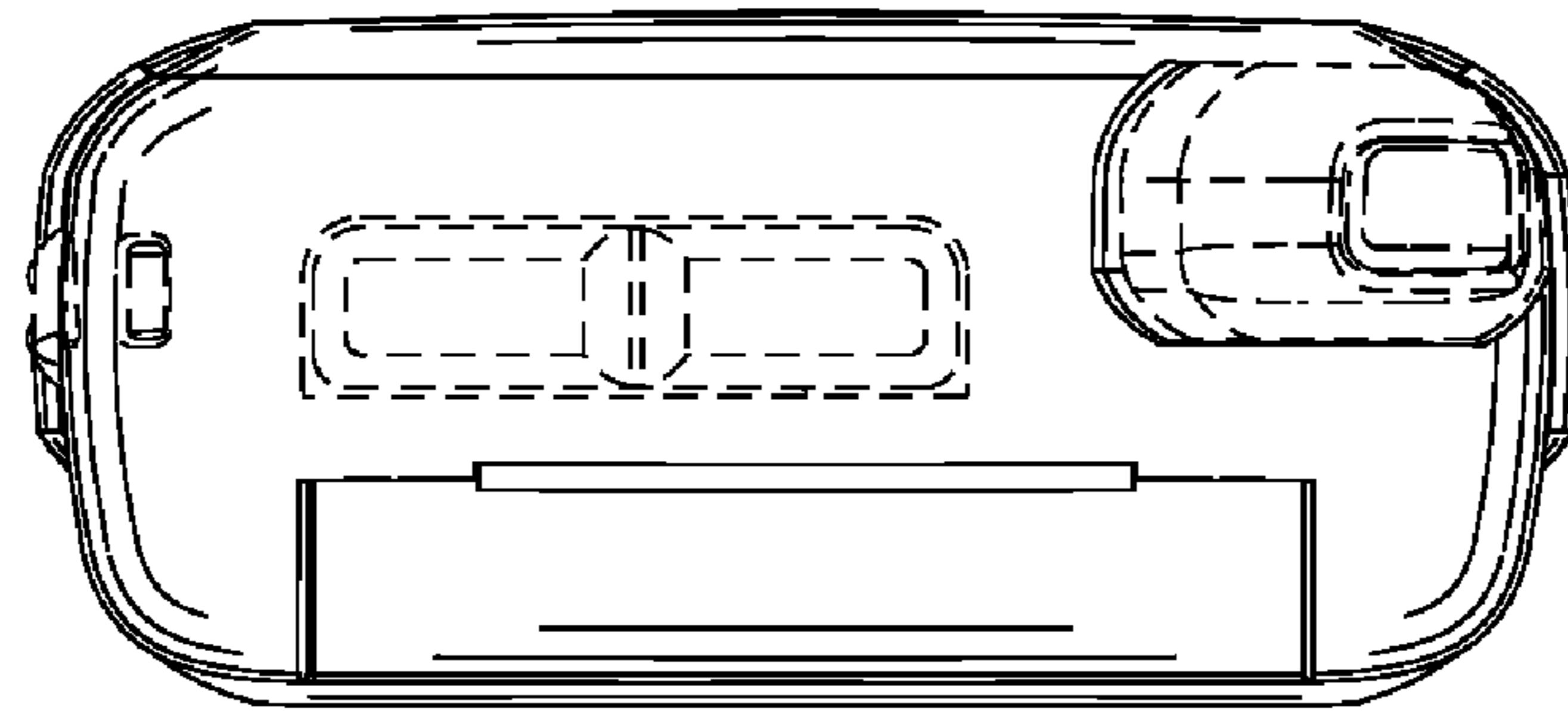


FIG. 6

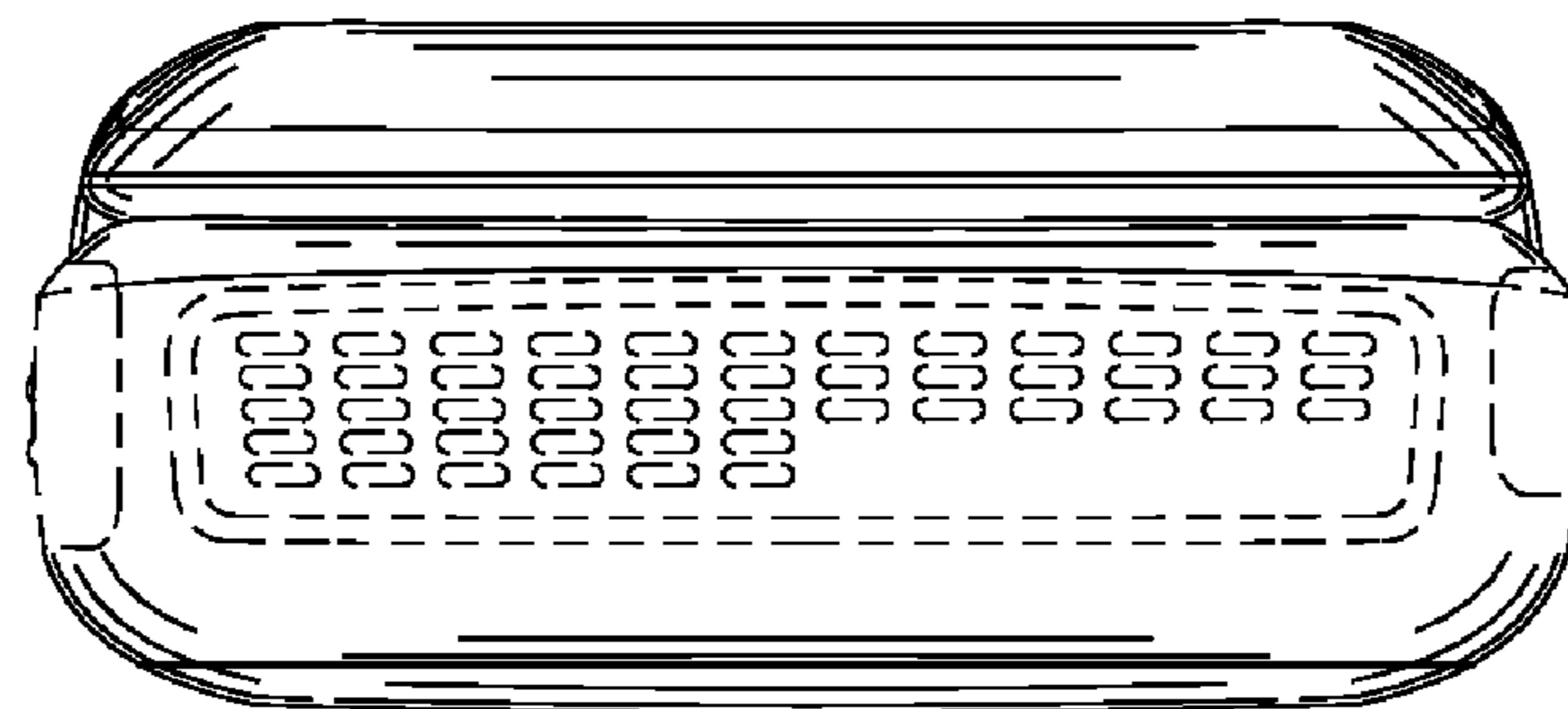


FIG. 7

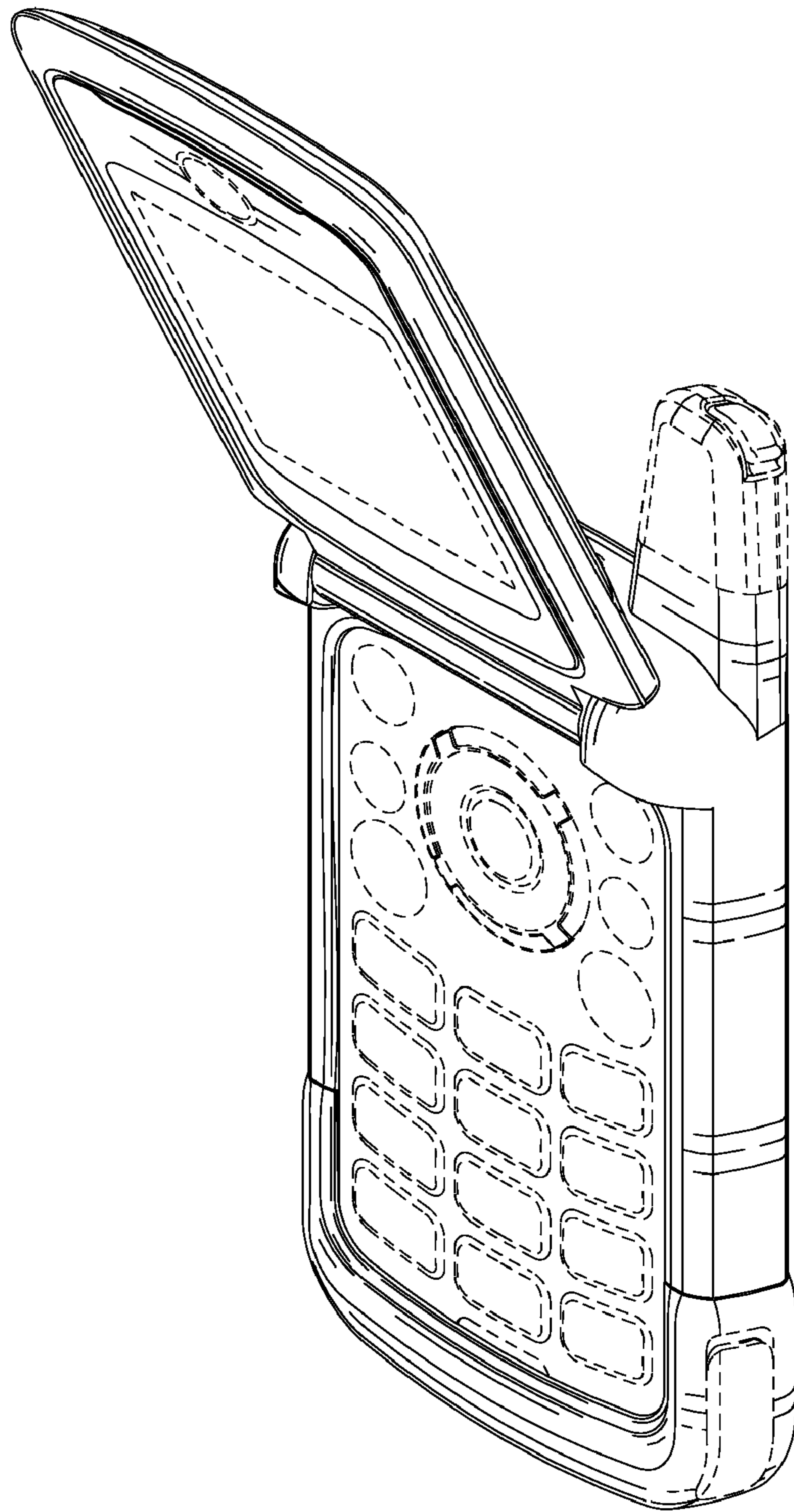


FIG. 8

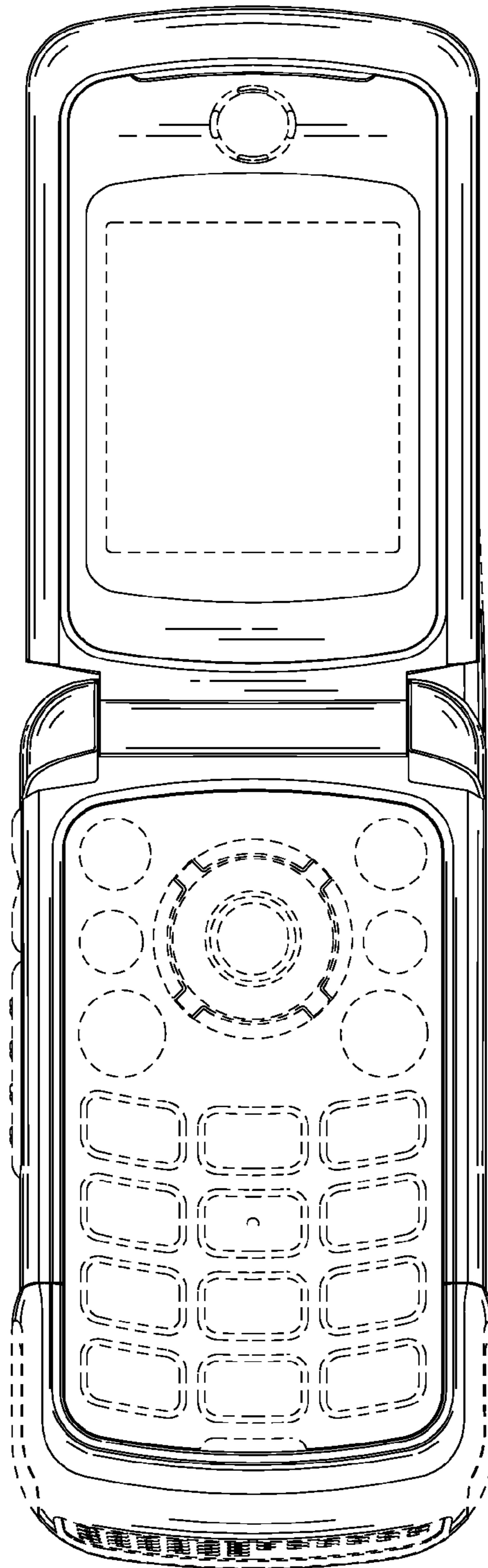


FIG. 9