



US00D588090S

(12) **United States Design Patent**
Nguyen et al.

(10) **Patent No.:** **US D588,090 S**
(45) **Date of Patent:** **** Mar. 10, 2009**

(54) **HANDSET**

(75) Inventors: **Linh D. Nguyen**, San Diego, CA (US);
Edward Mitchell, Thousand Oaks, CA
(US); **Leonard Wozniak**, Santa Monica,
CA (US)

(73) Assignee: **Nokia Corporation**, Espoo (FI)

(**) Term: **14 Years**

(21) Appl. No.: **29/321,569**

(22) Filed: **Jul. 18, 2008**

(51) **LOC (9) Cl.** **14-03**

(52) **U.S. Cl.** **D14/138 AB**

(58) **Field of Classification Search** D14/138 AB,
D14/138 AA, 496, 341-347, 247, 455-456,
D14/218; 455/575.3, 575.1

See application file for complete search history.

(56) **References Cited**

U.S. PATENT DOCUMENTS

D500,750 S *	1/2005	Arnholt et al.	D14/138 AB
D503,697 S	4/2005	Kim	
D504,879 S	5/2005	Moss	
D507,551 S *	7/2005	Kim et al.	D14/138 AB
D522,989 S	6/2006	Viitasaari	
D536,681 S *	2/2007	Surtouc	D14/130
D537,059 S *	2/2007	Hwang	D14/138 AB
D542,771 S *	5/2007	Cho et al.	D14/138 AB
D550,193 S *	9/2007	Kim et al.	D14/138 AA
D551,645 S *	9/2007	Kim et al.	D14/138 AB
D552,574 S	10/2007	Moss	
D554,093 S *	10/2007	Arnholt et al.	D14/138 AB
D554,094 S *	10/2007	Ribeiro et al.	D14/138 AB
D555,614 S	11/2007	Holmung et al.	
D555,642 S *	11/2007	Holmung et al.	D14/247
D563,358 S *	3/2008	Baik et al.	D14/138 AB
D563,376 S *	3/2008	Arnholt et al.	D14/138 AB
D563,933 S *	3/2008	Lee et al.	D14/138 AB
D564,480 S	3/2008	Linares et al.	
D566,670 S *	4/2008	Huang	D14/138 AB

D567,209 S *	4/2008	Moss et al.	D14/138 AB
D568,850 S	5/2008	Lyles	
D570,339 S *	6/2008	Mehandjiysky et al.	D14/247
D571,344 S *	6/2008	Kim et al.	D14/138
D572,690 S *	7/2008	Kim et al.	D14/138
D573,574 S *	7/2008	Suk et al.	D14/138

(Continued)

OTHER PUBLICATIONS

Nokia 6650 T-Mobile telephone, announced Mar. 2008, [online],
[site visited Nov. 4, 2008]. Available from Internet ,<URL: <http://www.gsmarena.com>>.*

(Continued)

Primary Examiner—Jeffrey D Asch

(74) *Attorney, Agent, or Firm*—Banner & Witcoff, Ltd.

(57) **CLAIM**

The ornamental design for a handset, as shown and described.

DESCRIPTION

FIG. 1 is a perspective front view of a handset in an open position showing our new design;

FIG. 2 is a front view thereof;

FIG. 3 is a rear view thereof;

FIG. 4 is a right side view thereof;

FIG. 5 is a left side view thereof;

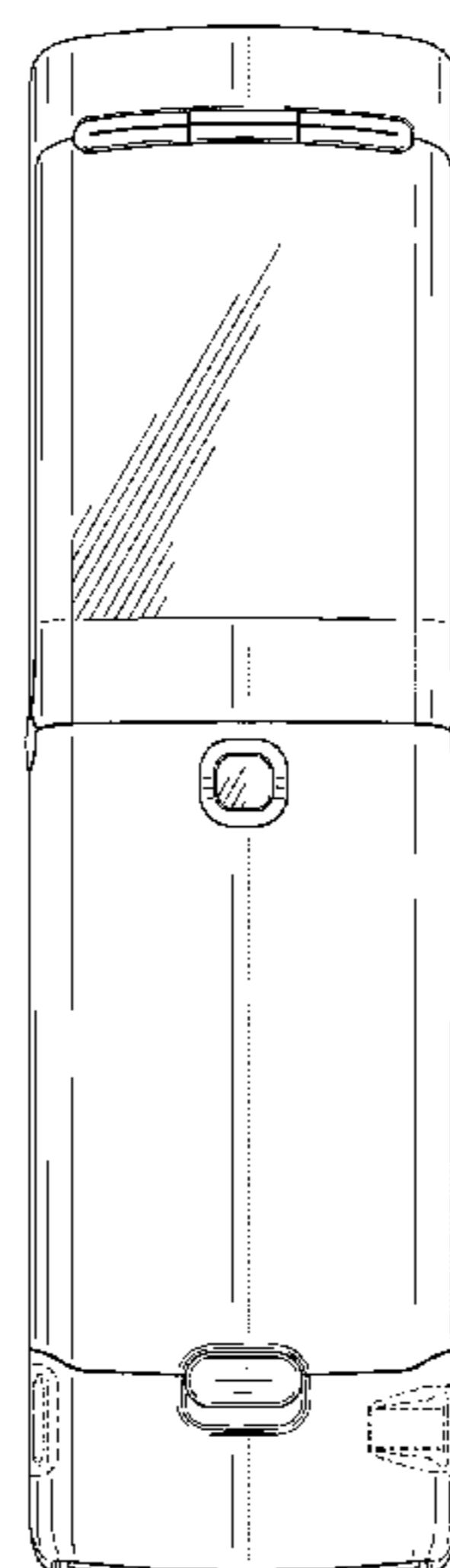
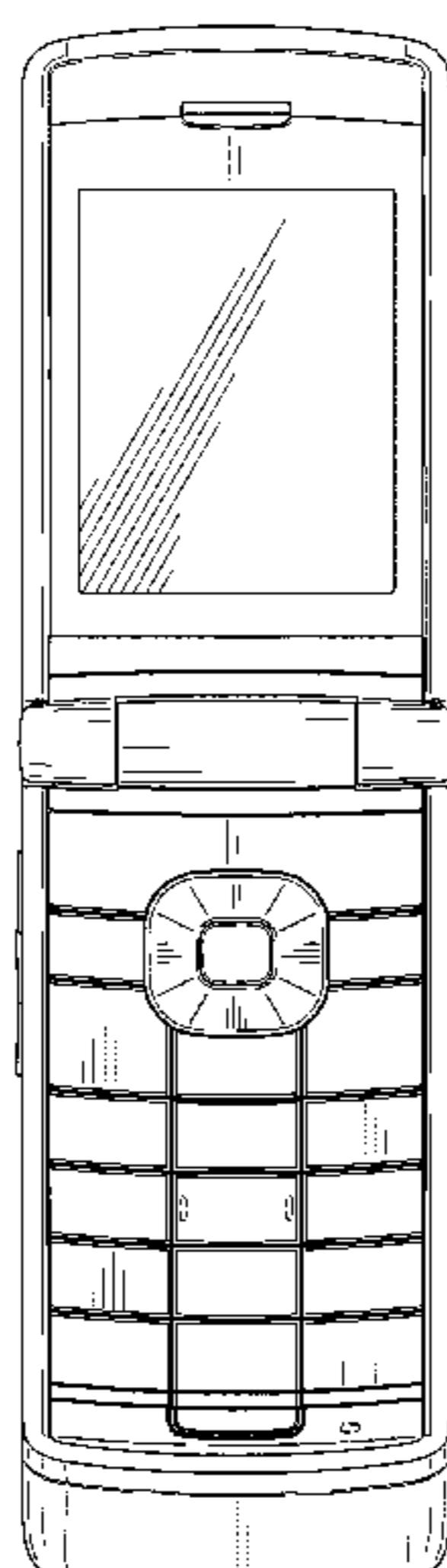
FIG. 6 is a top view thereof;

FIG. 7 is a bottom view thereof; and,

FIG. 8 is a perspective rear view thereof.

The broken lines throughout the views that are immediately adjacent to the shaded areas, and define unshaded regions, represent the bounds of the claimed design, while all other broken lines are directed to environment and are for illustrative purposes only; the broken lines form no part of the claimed design.

1 Claim, 5 Drawing Sheets



U.S. PATENT DOCUMENTS

D575,754 S * 8/2008 Lee D14/138
D575,758 S * 8/2008 Nilsen et al. D14/138
D578,092 S * 10/2008 Lee D14/138 AB
D578,097 S * 10/2008 Lee et al. D14/138 AB
D578,501 S * 10/2008 Seo et al. D14/138 AB
D578,504 S * 10/2008 Stillerman D14/138 AB
D578,981 S * 10/2008 Park et al. D14/138 R
D578,988 S * 10/2008 Chung et al. D14/138 R
D579,894 S * 11/2008 Yabe et al. D14/138 R
D580,386 S * 11/2008 Cho et al. D14/138 R

OTHER PUBLICATIONS

Nokia N76 telephone, announced Jan. 2007, [online], [site visited Nov. 4, 2008]. Available from Internet ,<URL: <http://www.gsmarena.com>>.*

Samsung G400 Soul telephone, announced Mar. 2008, [online], [site visited Nov. 4, 2008]. Available from Internet ,<URL: <http://www.gsmarena.com>>.*

Motorola RAZR2 V8 telephone, announced May 2007, [online], [site visited Nov. 4, 2008]. Available from Internet ,<URL: <http://www.gsmarena.com>>.*

LG Trax CU575 telephone, announced Aug. 2007, [online], [site visited Nov. 4, 2008]. Available from Internet ,<URL: <http://www.gsmarena.com>>.*

LG P7200 telephone, announced Aug. 2005, [online], [site visited Nov. 4, 2008]. Available from Internet ,<URL: <http://www.gsmarena.com>>.*

BenQ-Siemens EF81 telephone, announced Jan. 2006, [online], [site visited Nov. 4, 2008]. Available from Internet ,<URL: <http://www.gsmarena.com>>.*

* cited by examiner

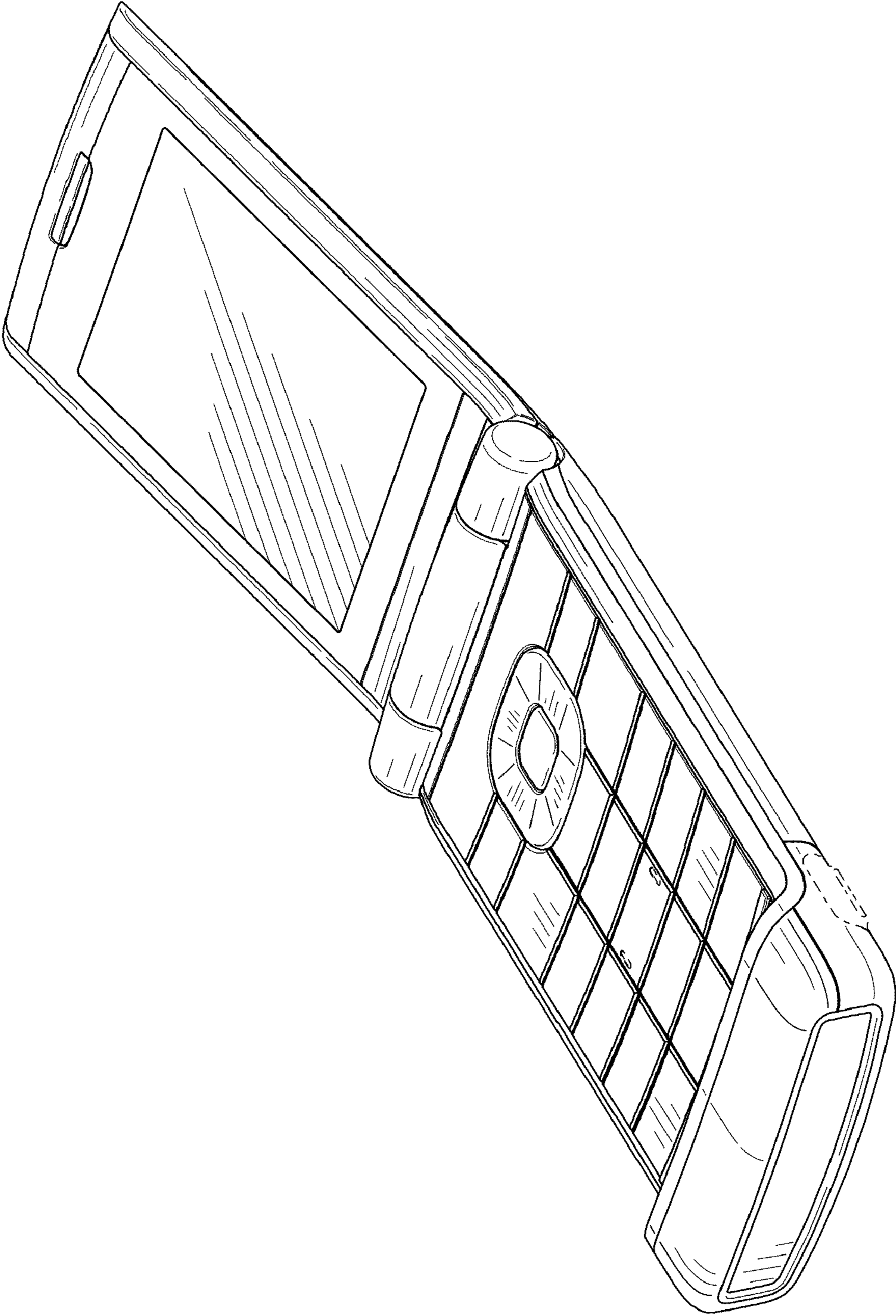


FIG. 1

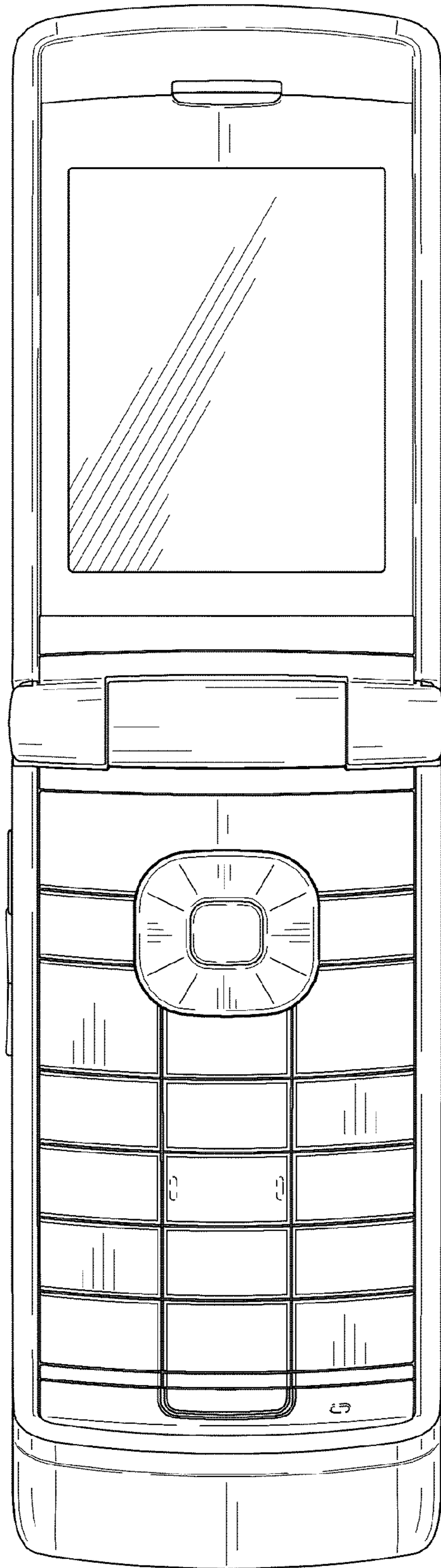


FIG. 2

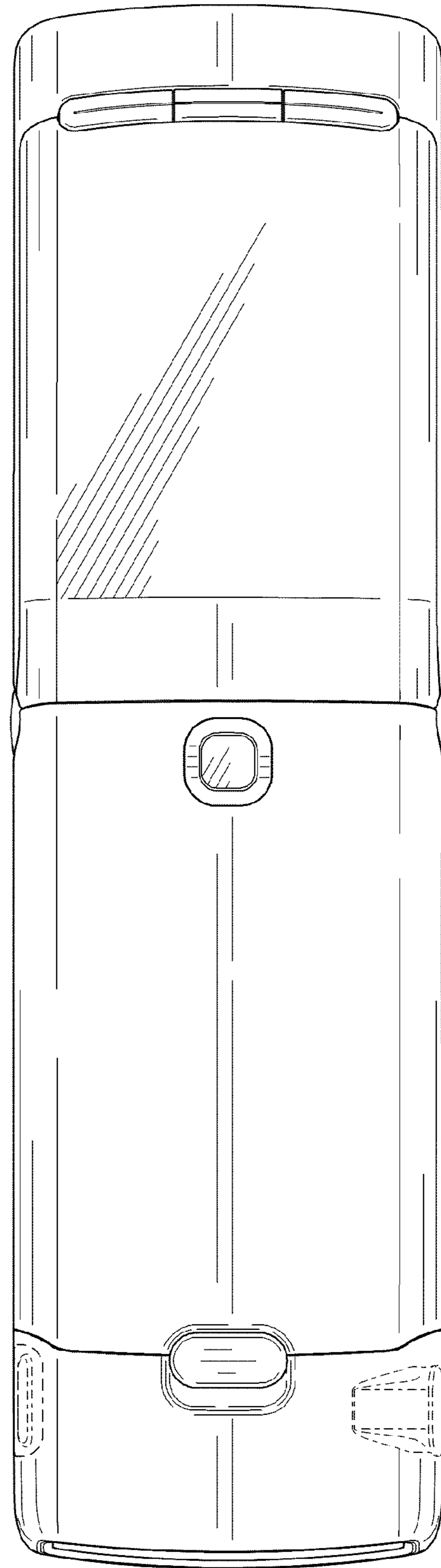


FIG. 3

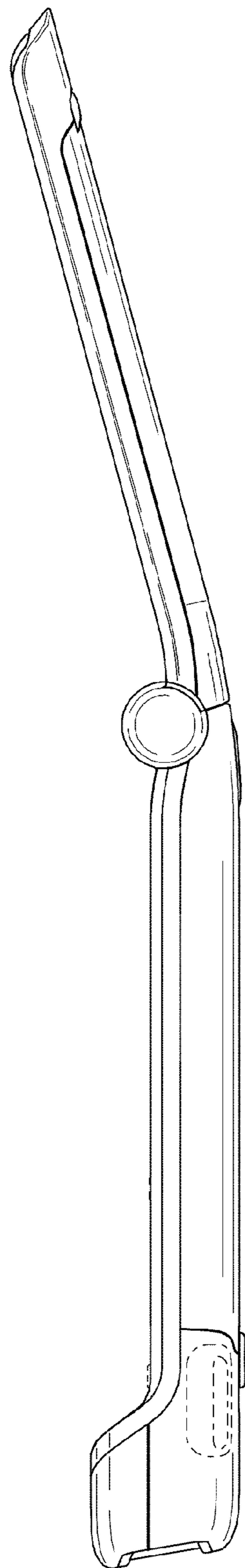


FIG. 4

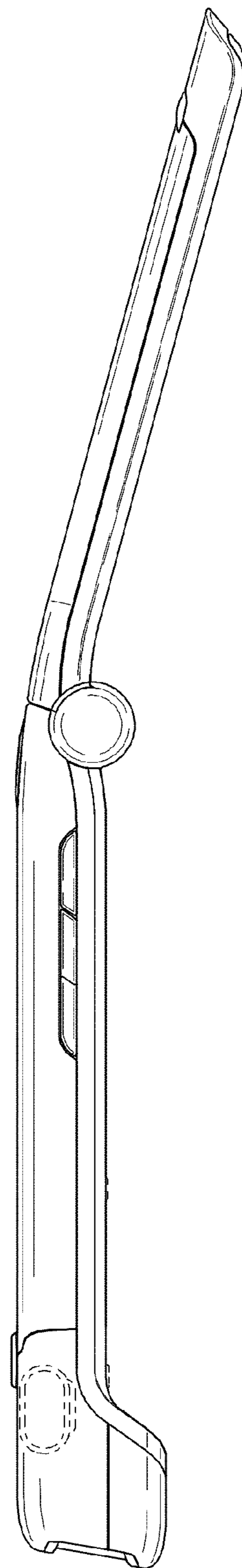


FIG. 5

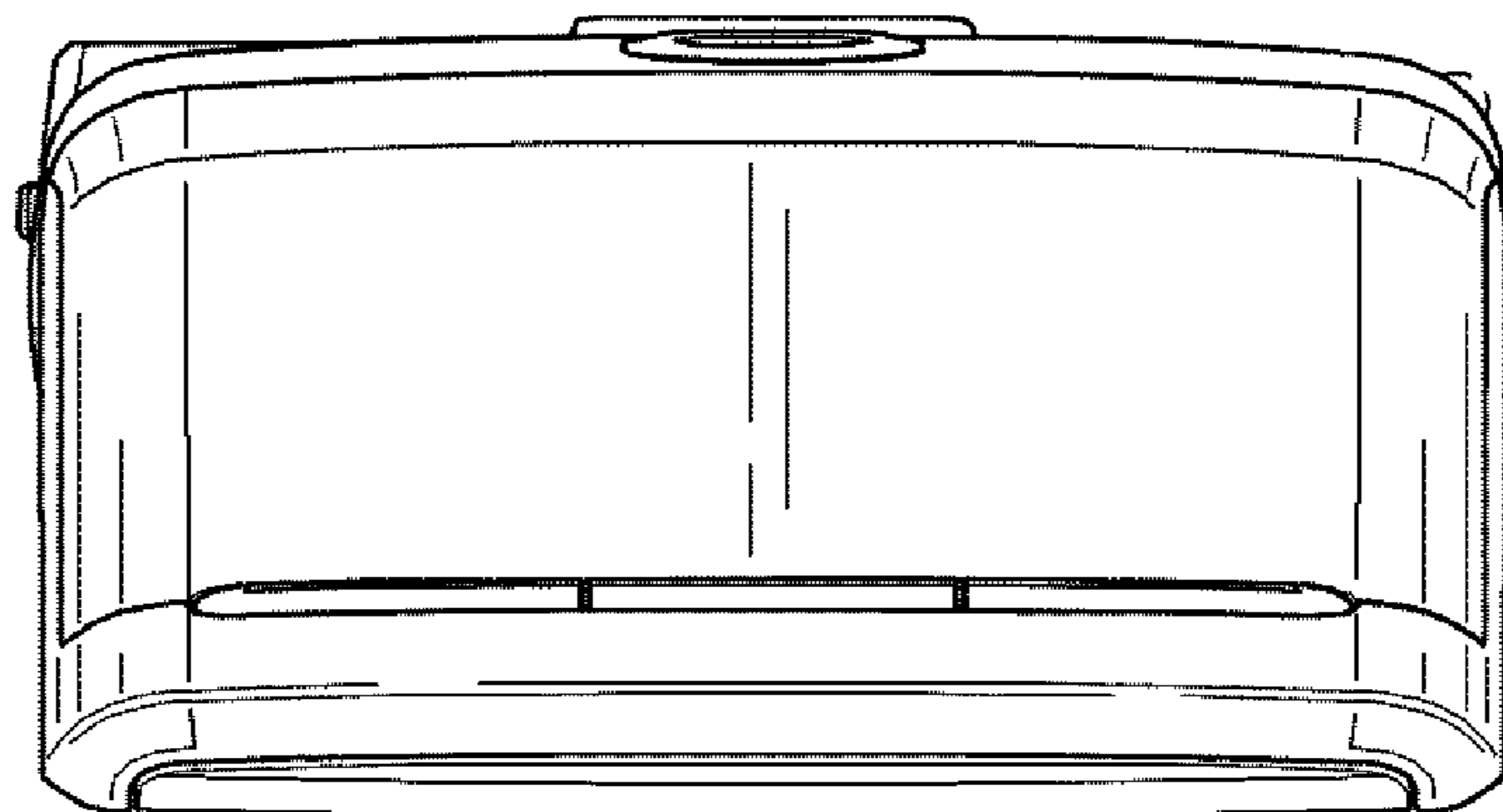


FIG. 6

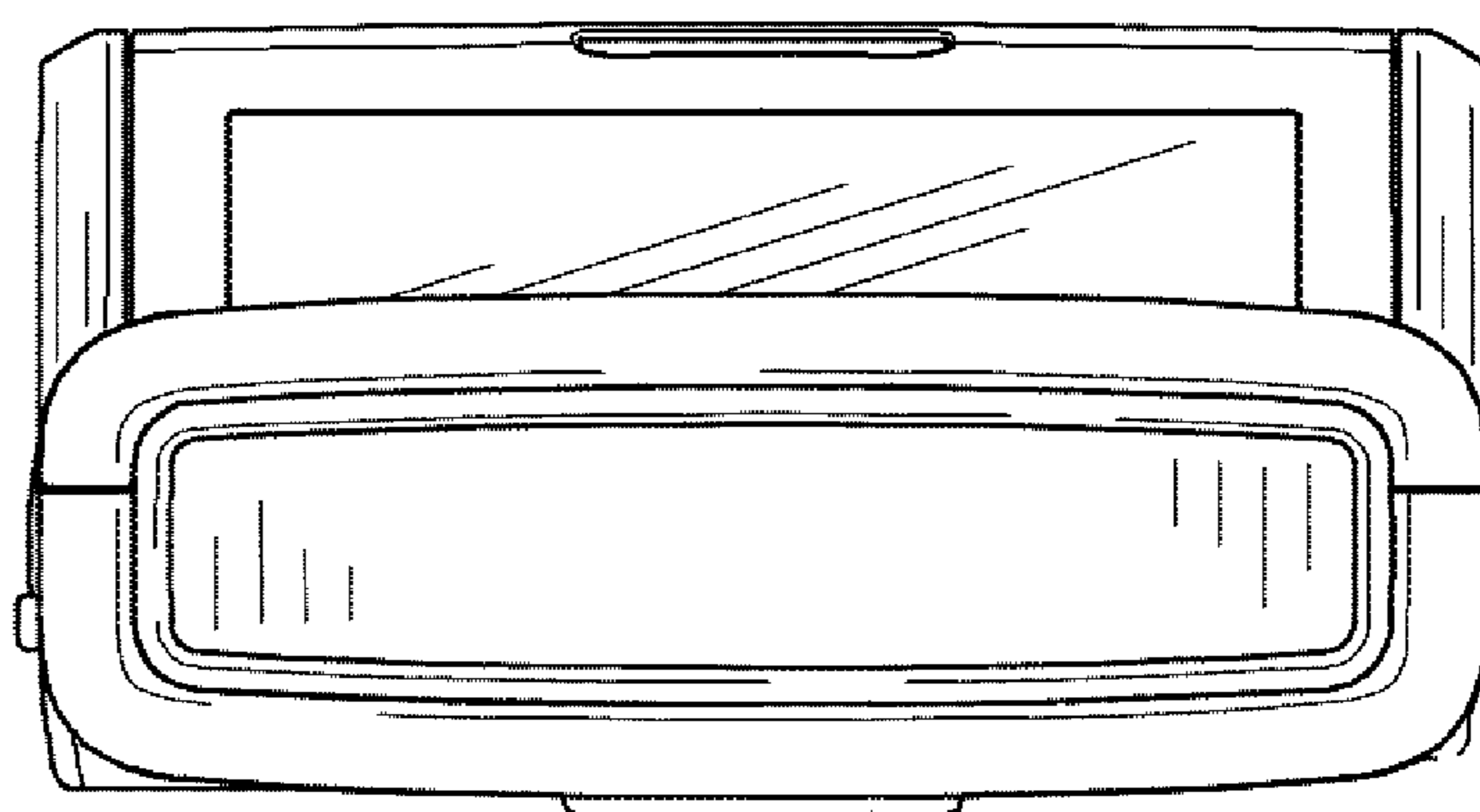


FIG. 7

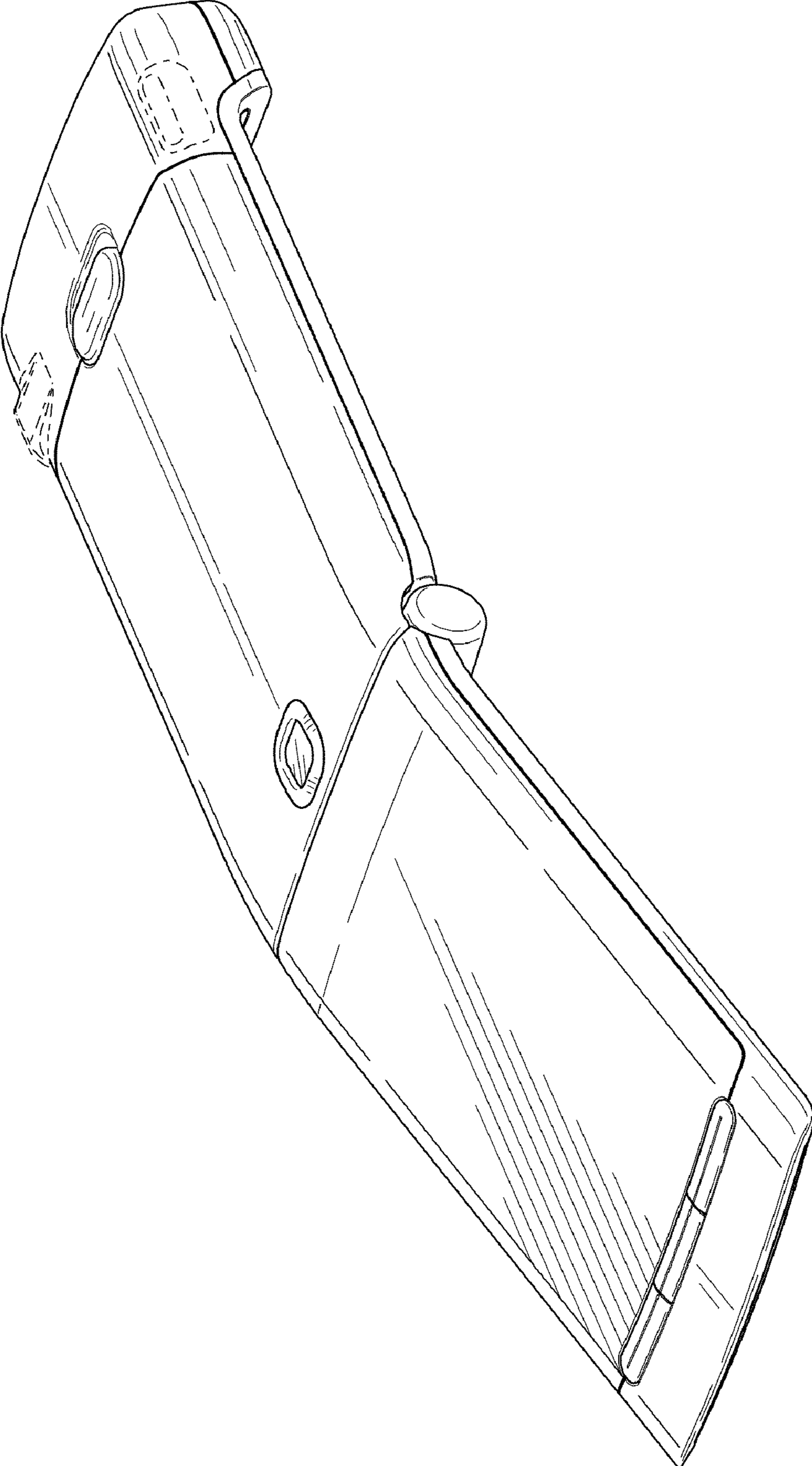


FIG. 8