

US00D588086S

(12) **United States Design Patent**  
**Kim et al.**

(10) **Patent No.:** **US D588,086 S**  
(45) **Date of Patent:** **\*\* Mar. 10, 2009**

(54) **PORTABLE PHONE**

(75) Inventors: **Yun-Su Kim**, Seoul (KR); **Jung-Hyouk Im**, Seoul (KR); **Min-Hyouk Lee**, Seoul (KR); **Chang-Hwan Hwang**, Goyang-si (KR)

(73) Assignee: **Samsung Electronics CO., Ltd.**, Suwon-Si (KR)

(\*\*) Term: **14 Years**

(21) Appl. No.: **29/290,379**

(22) Filed: **Nov. 28, 2007**

(30) **Foreign Application Priority Data**

Aug. 9, 2007 (KR) ..... 30-2007-0034223

(51) **LOC (9) Cl.** ..... **14-03**

(52) **U.S. Cl.** ..... **D14/138 AB**

(58) **Field of Classification Search** ..... D14/138,  
D14/496, 341-347; 455/575.3, 575.1; D21/517  
See application file for complete search history.

(56) **References Cited**

**U.S. PATENT DOCUMENTS**

D500,750 S *	1/2005	Arnholt et al.	.....	D14/138
D502,161 S *	2/2005	Kim et al.	.....	D14/138
D508,035 S *	8/2005	Kim et al.	.....	D14/138
D519,966 S *	5/2006	Salmi et al.	.....	D14/138
D536,320 S *	2/2007	Michaels	.....	D14/138
D540,769 S *	4/2007	Lee et al.	.....	D14/138
D543,173 S *	5/2007	Park et al.	.....	D14/138
D545,287 S *	6/2007	Han et al.	.....	D14/138
D546,306 S *	7/2007	Lee	.....	D14/138

(Continued)

**OTHER PUBLICATIONS**

Samsung E210 telephone, announced Aug. 2007, [online], [site visited Apr. 22, 2008]. Available from Internet ,<URL: http://www.gsmarena.com>.\*

Sony Ericsson Z770 telephone, announced Feb. 2008, [online], [site visited Apr. 22, 2008]. Available from Internet ,<URL: http://www.gsmarena.com>.\*

LG Trax CU575 telephone, announced Aug. 2007, [online], [site visited Apr. 22, 2008]. Available from Internet ,<URL: http://www.gsmarena.com>.\*

LG L343i telephone, announced Aug. 2006, [online], [site visited Apr. 22, 2008]. Available from Internet ,<URL: http://www.gsmarena.com>.\*

Sagem my401C telephone, announced Mar. 2007, [online], [site visited Apr. 22, 2008]. Available from Internet ,<URL: http://www.gsmarena.com>.\*

Alcatel OT-S850 telephone, announced 2<sup>nd</sup> quarter 2005, [online], [site visited Apr. 22, 2008]. Available from Internet ,<URL: http://www.gsmarena.com>.\*

(Continued)

*Primary Examiner*—Jeffrey D Asch

(74) *Attorney, Agent, or Firm*—Staas & Halsey LLP

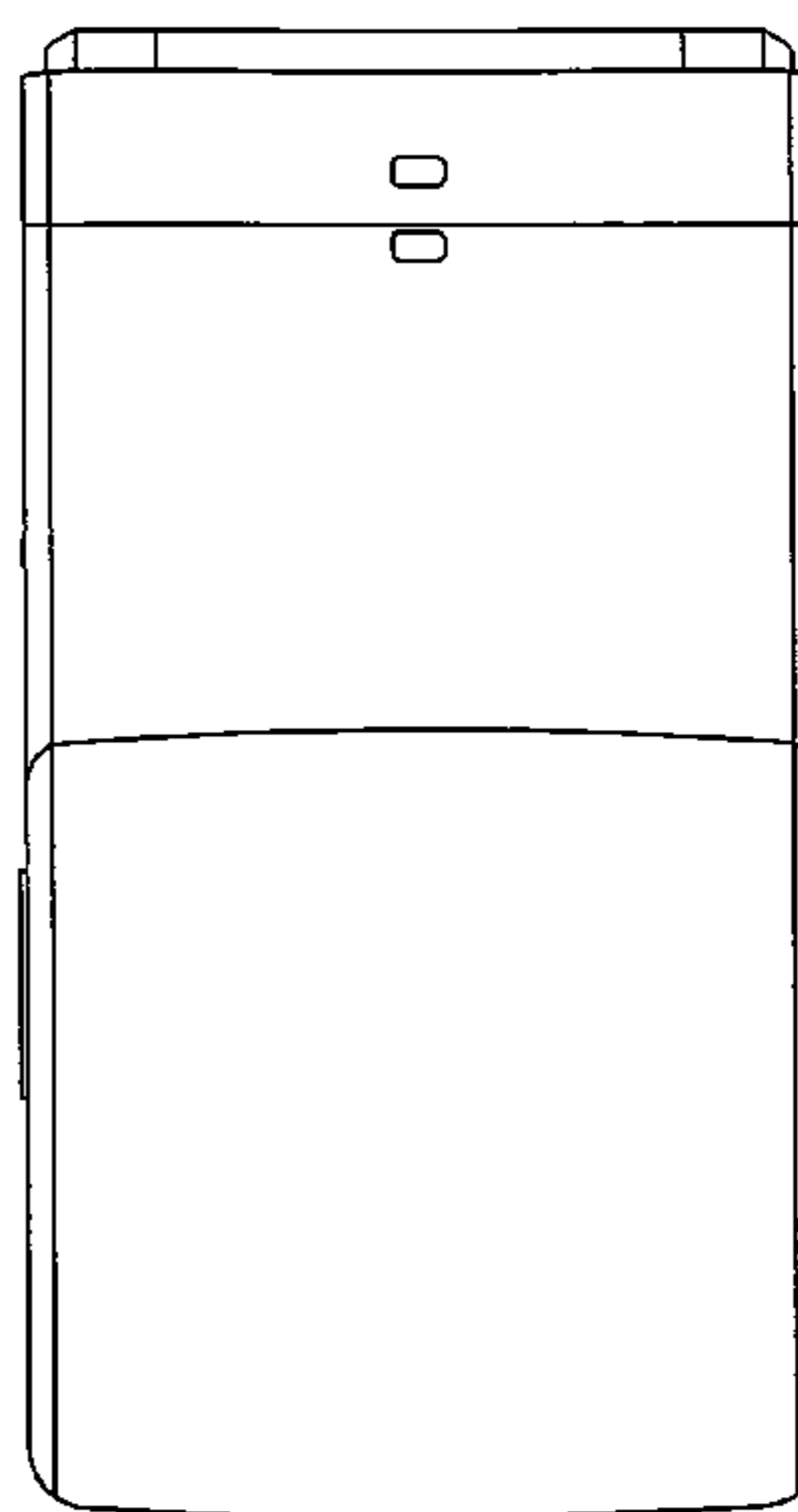
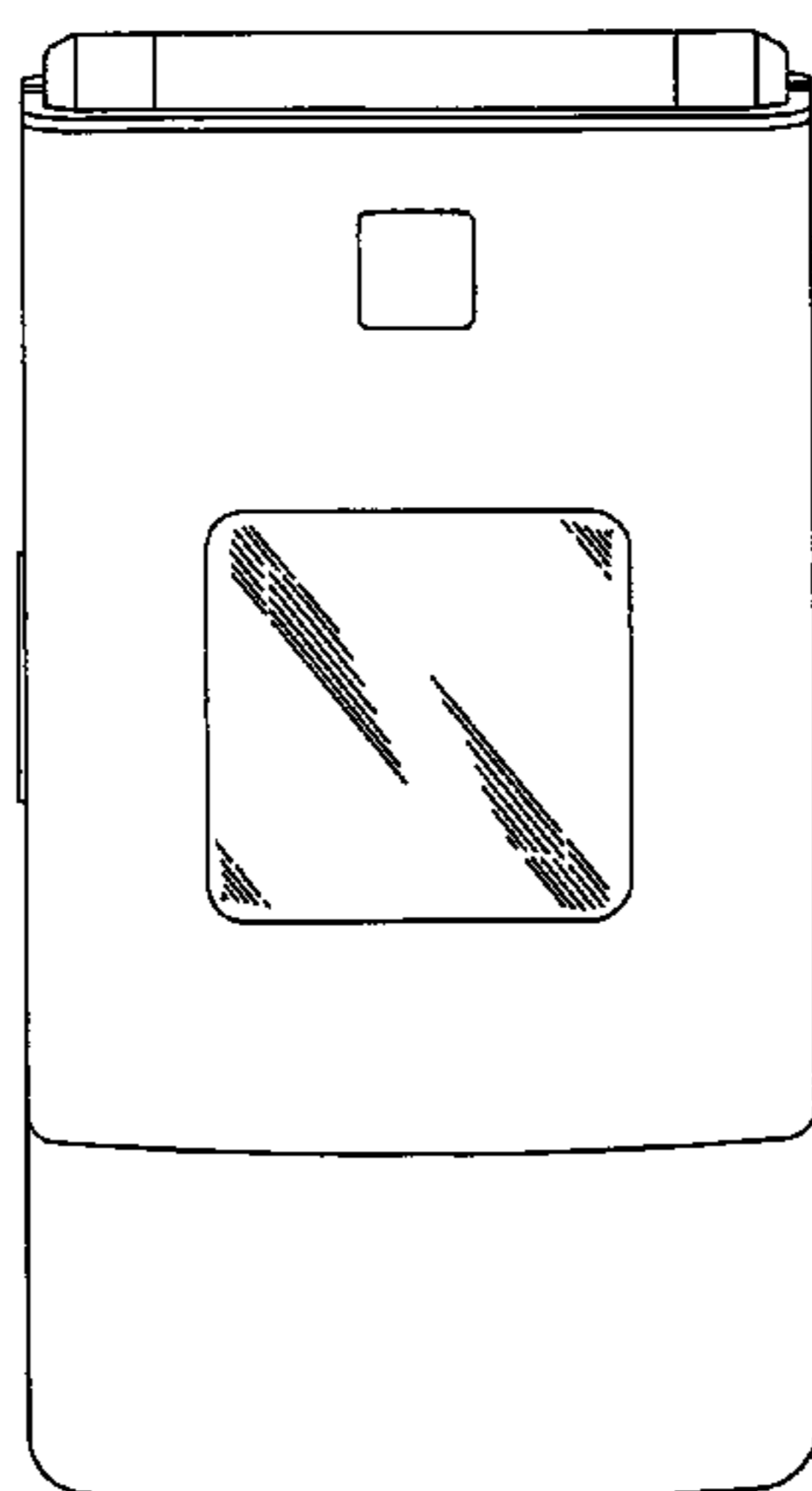
(57) **CLAIM**

The ornamental design for a portable phone, as shown and described.

**DESCRIPTION**

FIG. 1 is a perspective view of a portable phone;  
FIG. 2 is a front view of the portable phone of FIG. 1;  
FIG. 3 is a rear view of the portable phone of FIG. 1;  
FIG. 4 is a left-side view of the portable phone of FIG. 1;  
FIG. 5 is a right-side view of the portable phone of FIG. 1;  
FIG. 6 is a top plan view of the portable phone of FIG. 1;  
FIG. 7 is a bottom plan view of the portable phone of FIG. 1;  
FIG. 8 is a front open view of the portable phone of FIG. 1;  
FIG. 9 is an open left-side view of the portable phone of FIG. 1; and,  
FIG. 10 is an open right-side view of the portable phone of FIG. 1.

**1 Claim, 7 Drawing Sheets**



# US D588,086 S

Page 2

## U.S. PATENT DOCUMENTS

7,269,443 B2 \* 9/2007 Park et al. .... 455/556.2  
D554,093 S \* 10/2007 Arnholt et al. .... D14/138  
D557,239 S \* 12/2007 Lee ..... D14/138  
D559,214 S \* 1/2008 Salmi ..... D14/138  
D559,815 S \* 1/2008 Moon et al. .... D14/138  
D559,816 S \* 1/2008 Moon et al. .... D14/138  
D559,825 S \* 1/2008 Park et al. .... D14/138  
D560,186 S \* 1/2008 Kim et al. .... D14/138  
D560,189 S \* 1/2008 Kim et al. .... D14/138  
D560,637 S \* 1/2008 Yang et al. .... D14/138  
D560,640 S \* 1/2008 Suk et al. .... D14/138  
D561,151 S \* 2/2008 Kim et al. .... D14/138  
D561,728 S \* 2/2008 Kim et al. .... D14/138  
D563,344 S \* 3/2008 Kim et al. .... D14/138  
D563,365 S \* 3/2008 Kim ..... D14/138  
D563,924 S \* 3/2008 Arnold et al. .... D14/138

2005/0113156 A1\* 5/2005 Park et al. .... 455/575.4

## OTHER PUBLICATIONS

NEC 802 telephone, announced 3rd quarter 2004, [online], [site visited Apr. 22, 2008]. Available from Internet ,<URL: <http://www.gsmarena.com>>.\*

Pantech PG-2800 telephone, announced May 2006, [online], [site visited Apr. 22, 2008]. Available from Internet ,<URL: <http://www.gsmarena.com>>.\*

LG KP235 telephone, announced Feb. 2008, [online], [site visited Apr. 22, 2008]. Available from Internet ,<URL: <http://www.gsmarena.com>>.\*

Samsung E690 telephone, announced Nov. 2006, [online], [site visited Apr. 22, 2008]. Available from Internet ,<URL: <http://www.gsmarena.com>>.\*

Nokia N76 telephone, announced Jan. 2007, [online], [site visited Apr. 22, 2008]. Available from Internet ,<URL: <http://www.gsmarena.com>>.\*

\* cited by examiner

FIG. 1

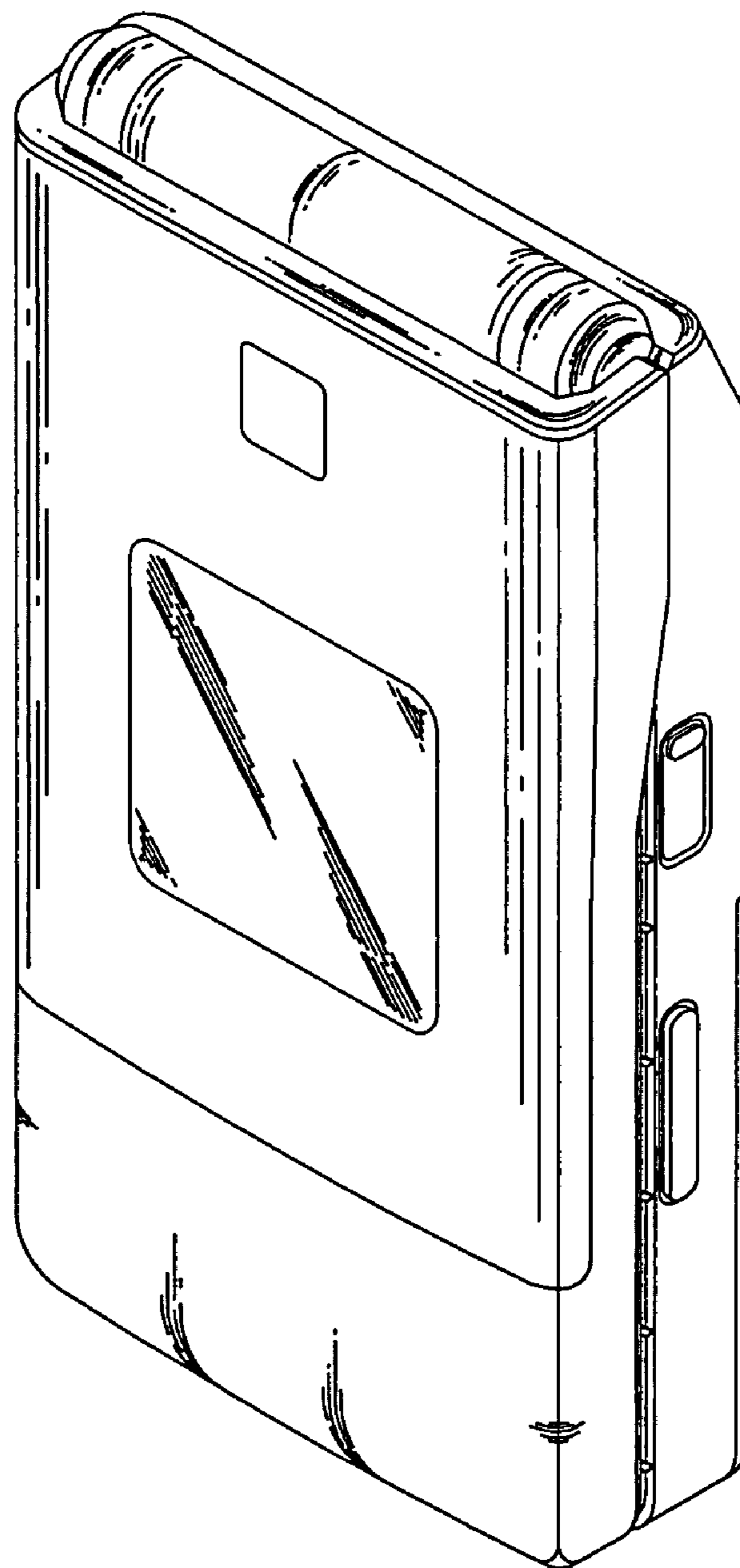


FIG. 2

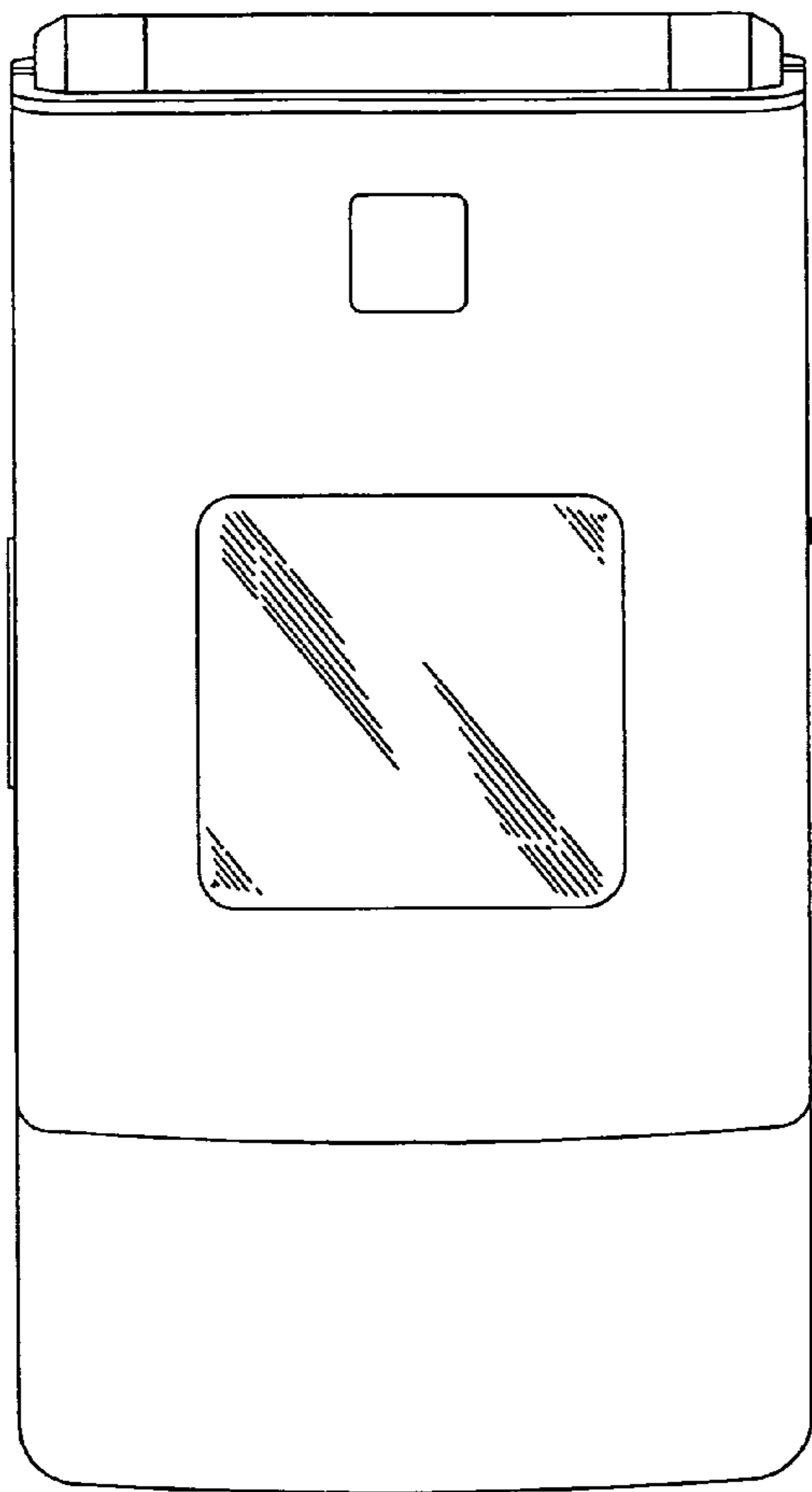


FIG. 3

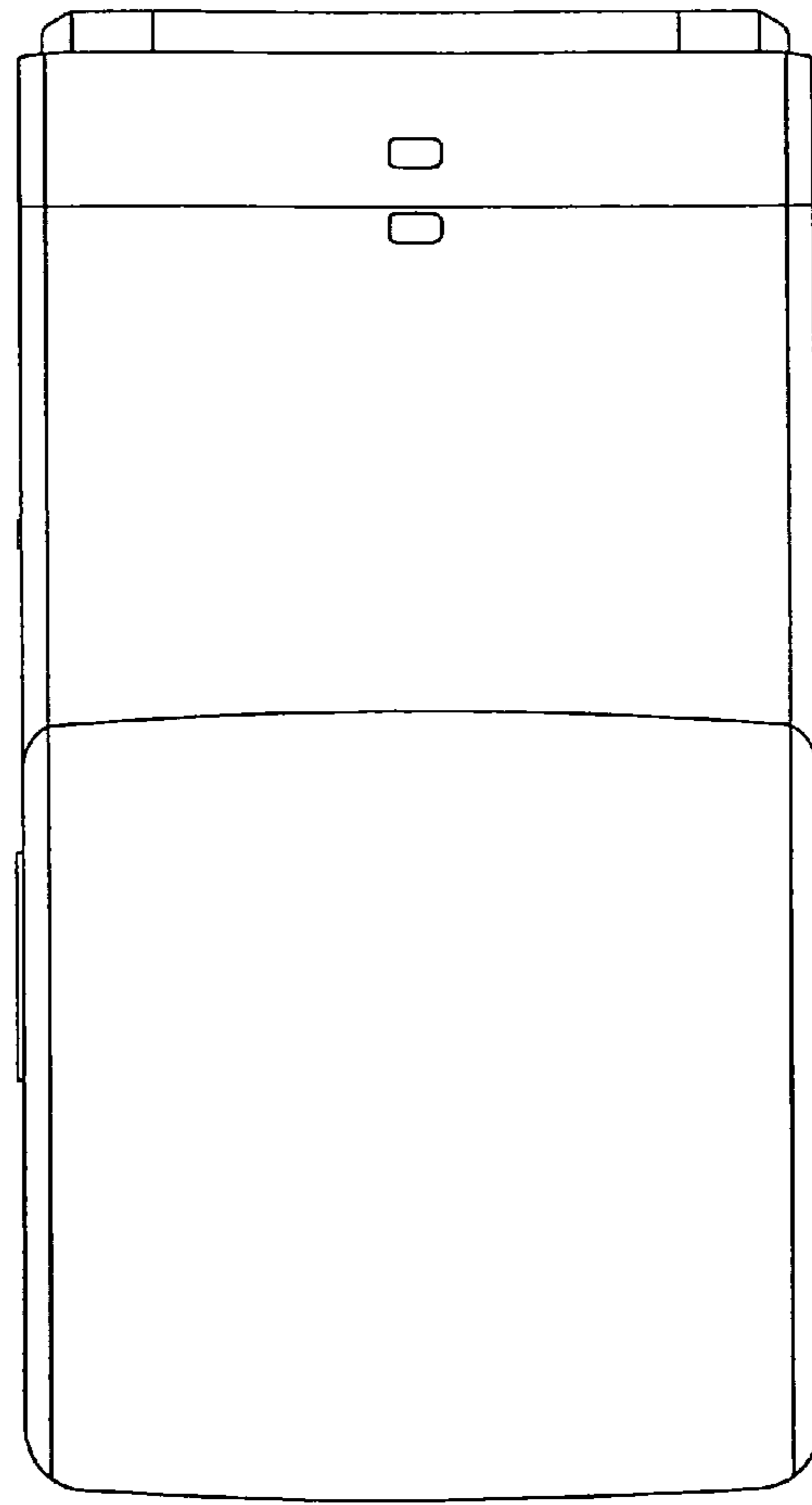


FIG. 4

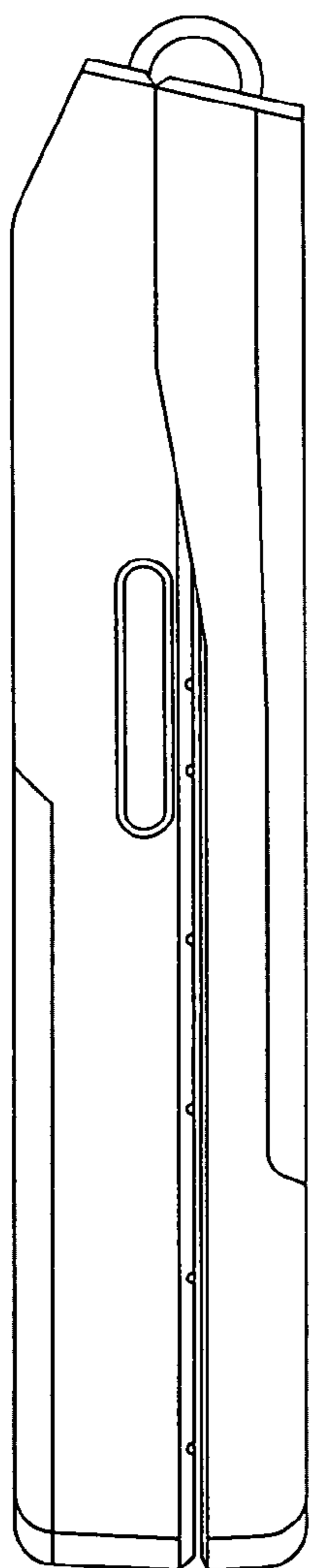


FIG. 5

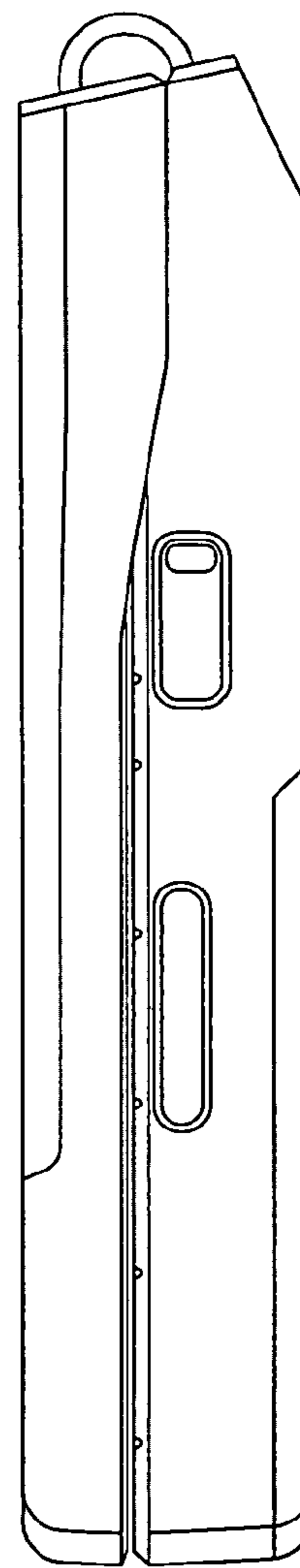


FIG. 6

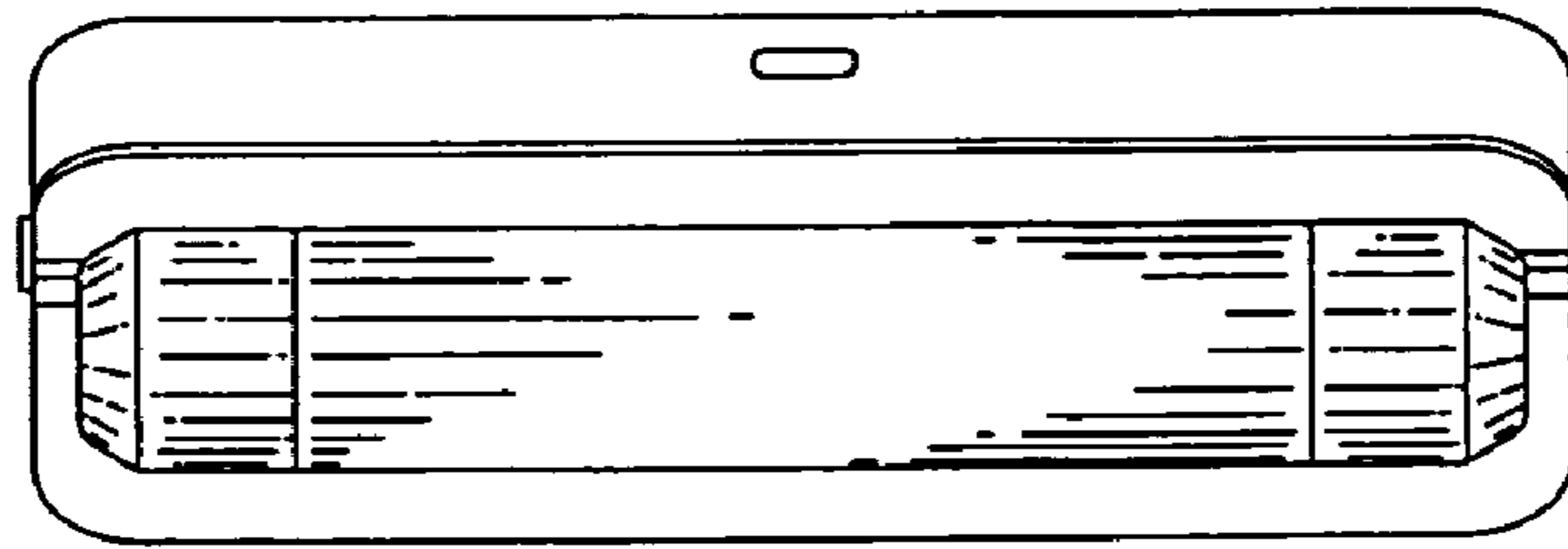


FIG. 7

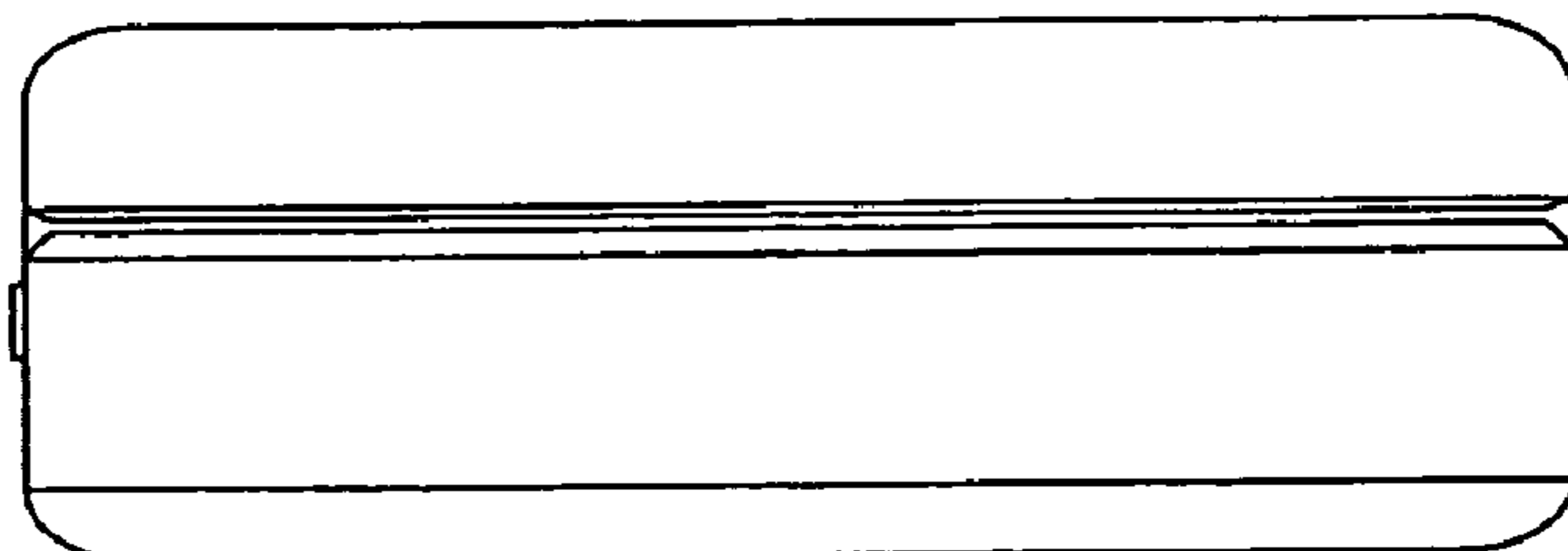


FIG. 8

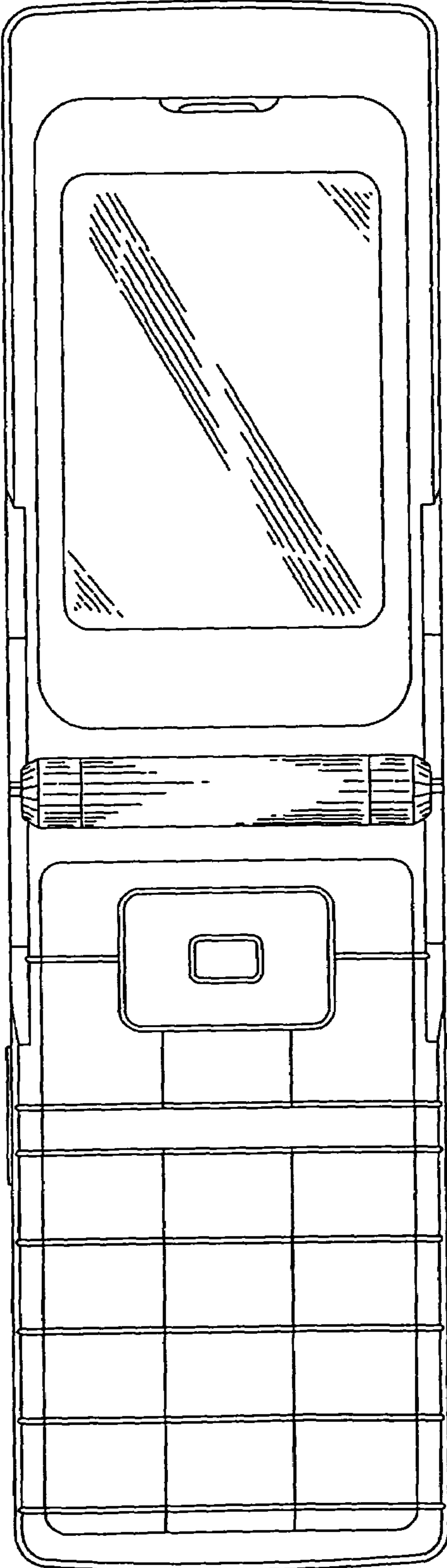


FIG. 9

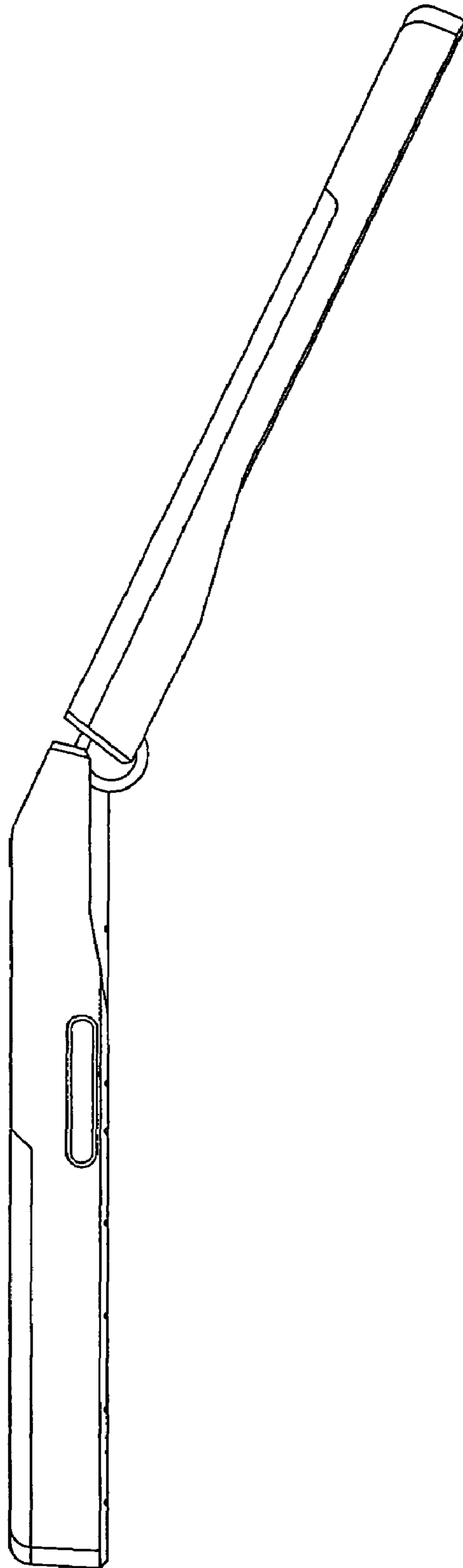




FIG. 10

