



US00D588085S

(12) **United States Design Patent**  
**Lin**

(10) **Patent No.:** **US D588,085 S**  
(45) **Date of Patent:** **\*\* Mar. 10, 2009**

(54) **MOBILE COMMUNICATION DEVICE**

(75) Inventor: **Yen-Hung Lin**, Taoyuan (TW)

(73) Assignee: **High Tech Computer Corp**, Taoyuan,  
Taoyuan County (TW)

(\*\*) Term: **14 Years**

(21) Appl. No.: **29/283,902**

(22) Filed: **Aug. 27, 2007**

(51) **LOC (9) Cl.** ..... **14-03**

(52) **U.S. Cl.** ..... **D14/138 AD**

(58) **Field of Classification Search** ..... D14/137,  
D14/138, 147, 191, 218, 247-248, 341-347,  
D14/496; D10/65, 78, 104; D13/168; D18/7;  
455/556.1, 566, 575.1, 575.3; 345/169  
See application file for complete search history.

(56) **References Cited**

**U.S. PATENT DOCUMENTS**

D495,695	S	*	9/2004	Yugaya	.....	D14/346
D508,473	S	*	8/2005	Lee et al.	.....	D14/138
D509,203	S	*	9/2005	Bertrand et al.	.....	D14/138
D511,342	S	*	11/2005	Chien	.....	D14/346
D519,998	S	*	5/2006	Park	.....	D14/346
D525,608	S	*	7/2006	Ryu	.....	D14/138
D525,609	S	*	7/2006	Kim et al.	.....	D14/138
D526,301	S	*	8/2006	Shin	.....	D14/138
D526,302	S	*	8/2006	Kim	.....	D14/138
D526,303	S	*	8/2006	Kim et al.	.....	D14/138
D526,986	S	*	8/2006	Kim	.....	D14/138
D527,000	S	*	8/2006	Hong et al.	.....	D14/346
D527,364	S	*	8/2006	Lee et al.	.....	D14/138
D529,475	S	*	10/2006	Lee et al.	.....	D14/138
D532,767	S		11/2006	Yoshino et al.		
D536,691	S	*	2/2007	Park	.....	D14/138
D543,966	S	*	6/2007	Peng et al.	.....	D14/138
D545,289	S	*	6/2007	Wang	.....	D14/138
D548,213	S	*	8/2007	Lee et al.	.....	D14/138
D549,205	S	*	8/2007	Cho	.....	D14/138
D550,189	S	*	9/2007	Kim et al.	.....	D14/138
D560,193	S	*	1/2008	Sung et al.	.....	D14/138
D560,632	S	*	1/2008	Burns	.....	D14/138

D562,279	S	*	2/2008	Lee et al.	.....	D14/138
D563,369	S	*	3/2008	Kim et al.	.....	D14/138
D563,370	S	*	3/2008	Choi et al.	.....	D14/138
2005/0090298	A1	*	4/2005	Park et al.	.....	455/575.4

**OTHER PUBLICATIONS**

HTC TyTN II (Kaiser) Demonstration by eXpansys, Added Jul. 17, 2007, [online], [retrieved on Apr. 27, 2008]. Retrieved from Internet, <URL: <http://www.youtube.com/watch?v=P41hoK-jX3I>>.\*  
HTC TyTN II, announced Jul. 2007, [online], [retrieved on Sep. 15, 2007]. Retrieved from Internet, <URL: <http://www.gsmarena.com>>.\*

(Continued)

*Primary Examiner*—Jeffrey D Asch

*Assistant Examiner*—Bridget L Eland

(74) *Attorney, Agent, or Firm*—Grossman Tucker Perreault & Pflieger PLLC

(57) **CLAIM**

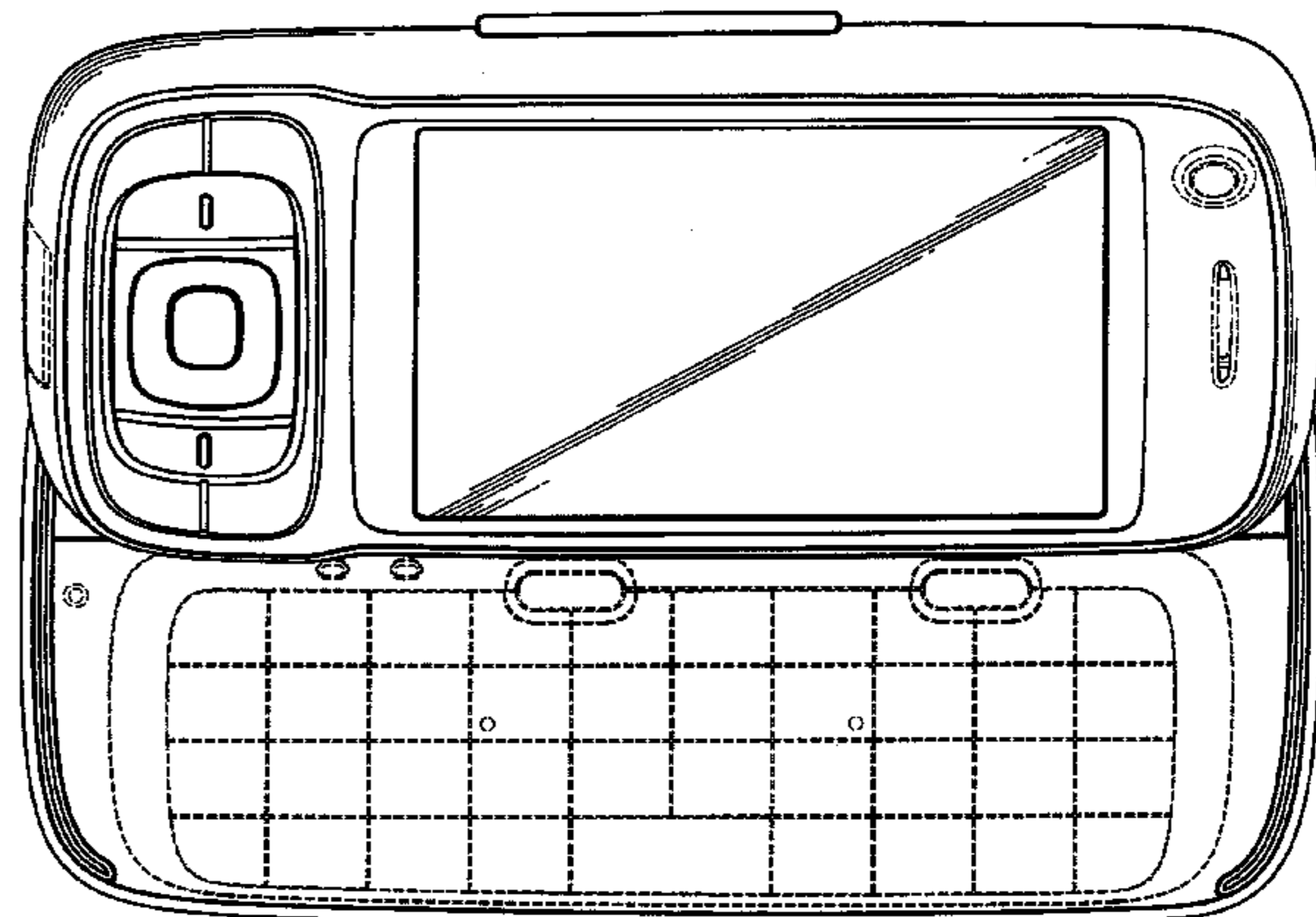
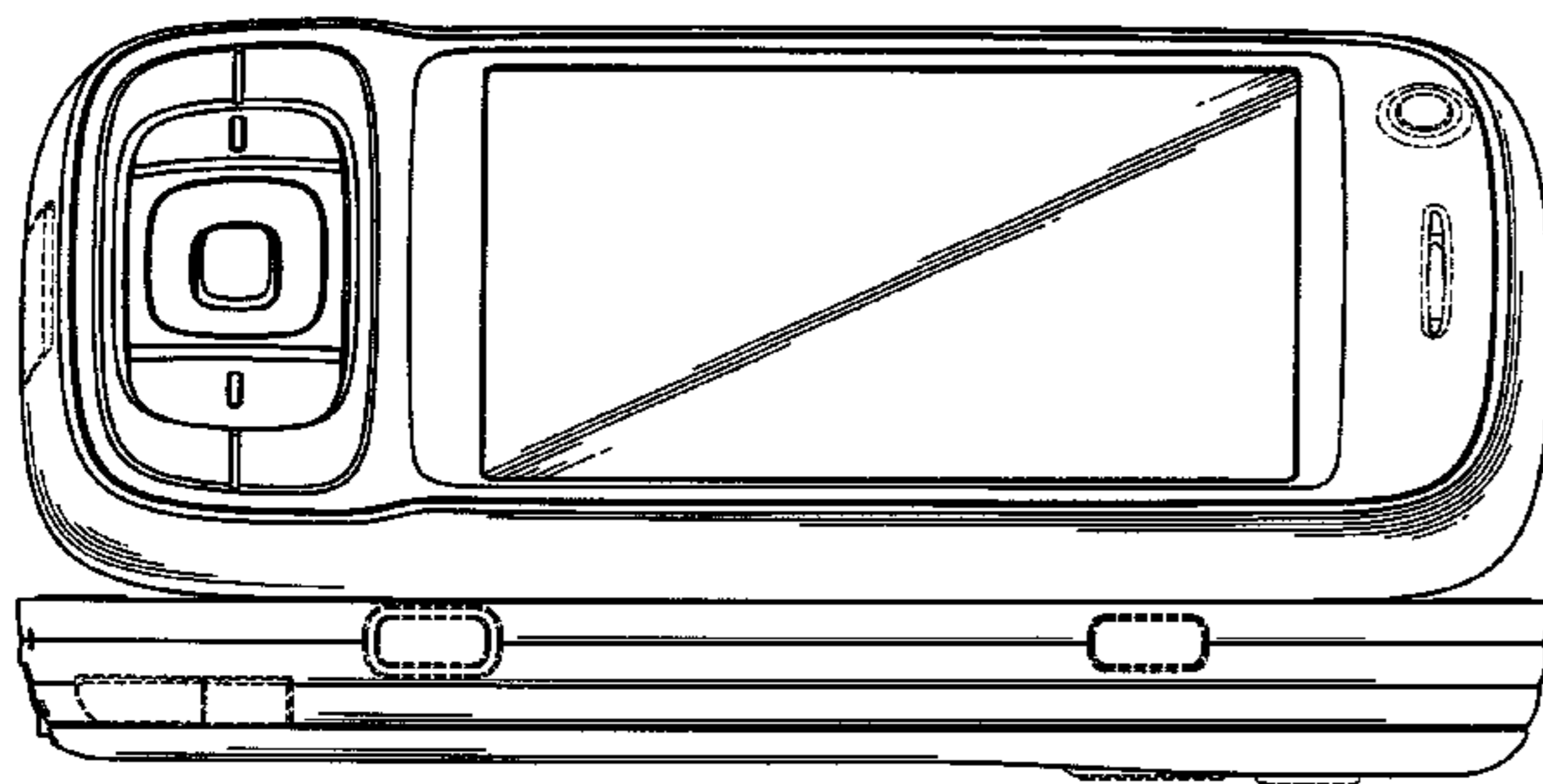
The ornamental design for a mobile communication device, as shown and described.

**DESCRIPTION**

FIG. 1 is a perspective view of a mobile communication device showing the claimed design;  
FIG. 2 is a front elevational view thereof;  
FIG. 3 is a rear elevational view thereof;  
FIG. 4 is a left side elevational view thereof;  
FIG. 5 is a right side elevational view thereof;  
FIG. 6 is a top plan view thereof; and,  
FIG. 7 is a bottom plan view thereof.

The broken lines immediately adjacent the claimed areas, which encompass non-shaded regions, represent the bounds of the claimed design, while all other broken lines are directed to environment and are for illustrative purposes only; the broken lines form no part of the claimed design. The entire surface of the front cover's interior forms no part of the claimed design.

**1 Claim, 6 Drawing Sheets**



OTHER PUBLICATIONS

HTC P4550, announced Jul. 2007, [online], [retrieved on Aug. 6, 2007]. Retrieved from Internet ,<URL: <http://www.gsmarena.com>>.\*

Samsung E350, announced 1<sup>st</sup> quarter 2005, [online], [retrieved on Feb. 8, 2007]. Retrieved from Internet ,<URL:<http://www.gsmarena.com>>.\*

Taiwan Office Action dated Jun. 20, 2008 issued in counterpart Taiwan Application No. 096304701, 3 pages. English language translation not available.

GoGo 12 119, Dec. 2006, 2 pages. English language translation not available.

\* cited by examiner

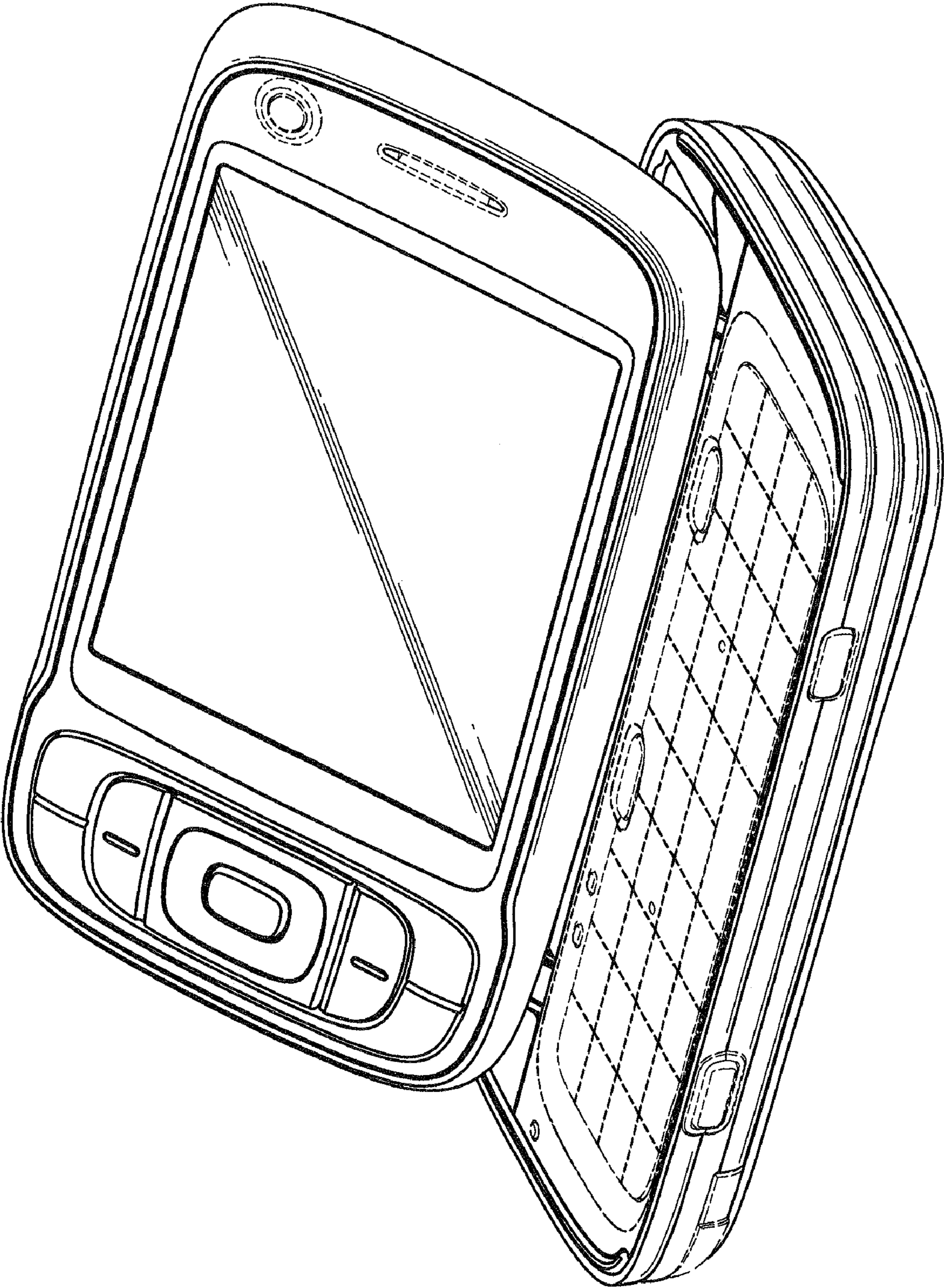


FIG.1



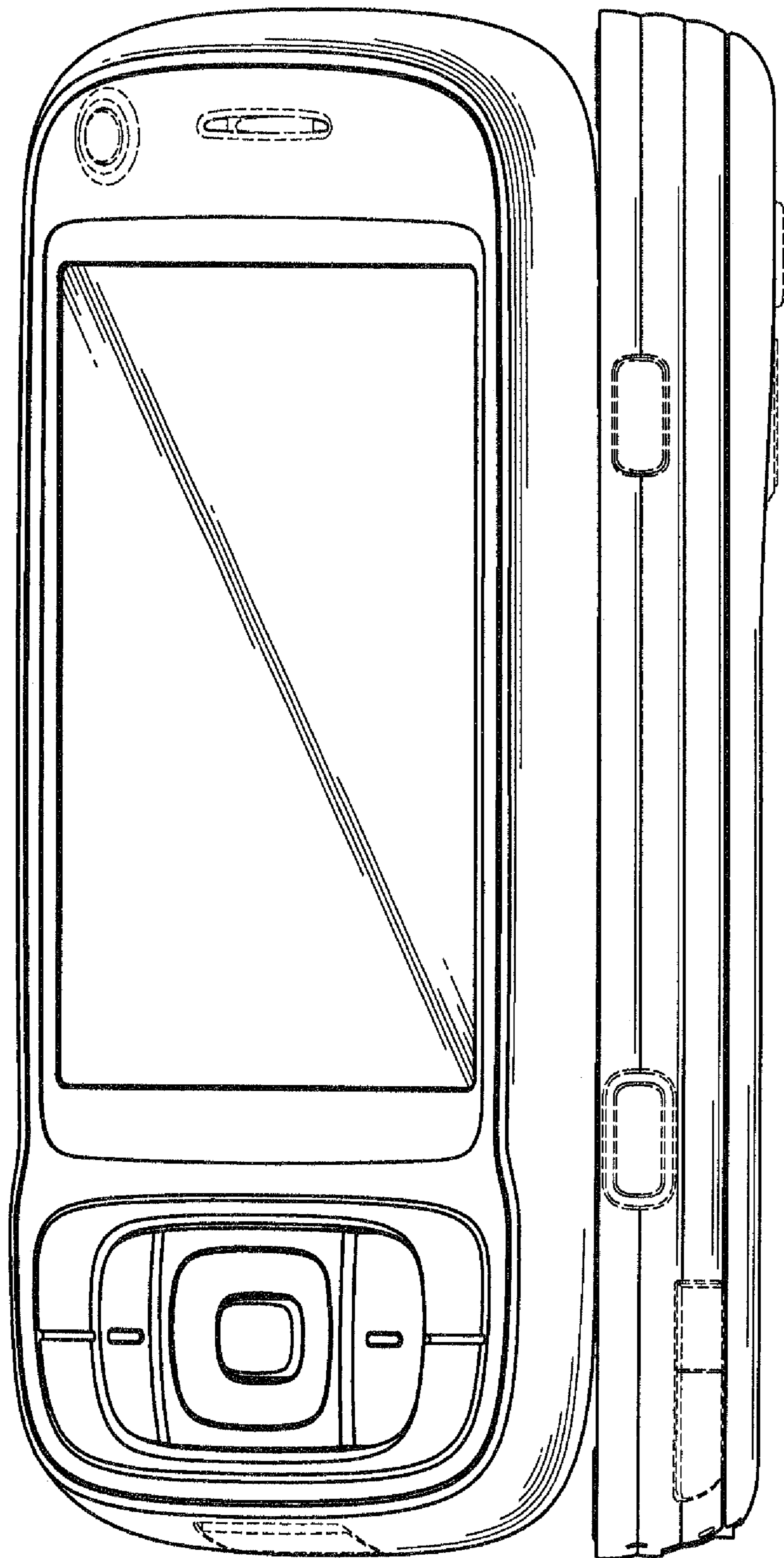


FIG.2

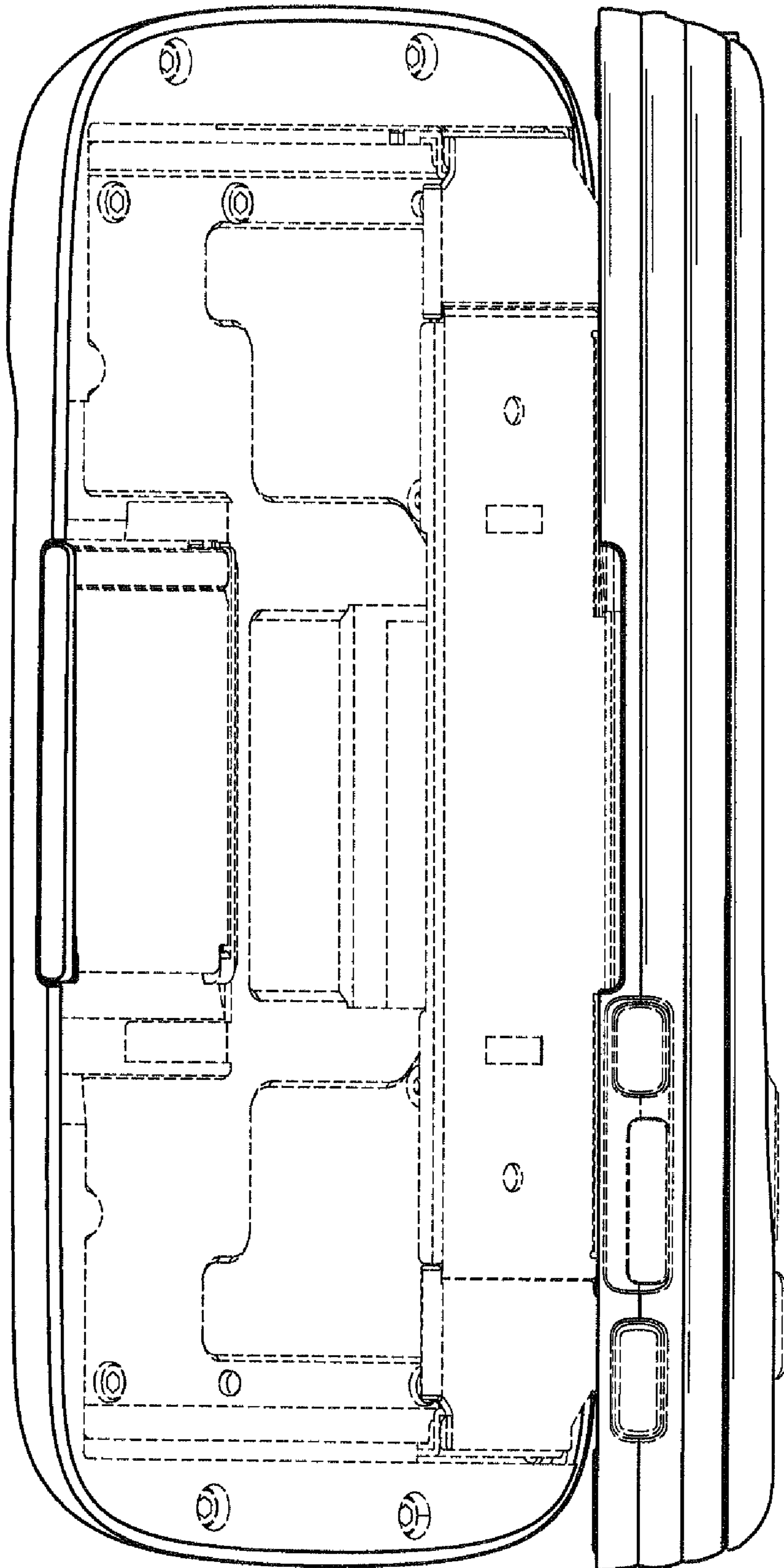


FIG. 3

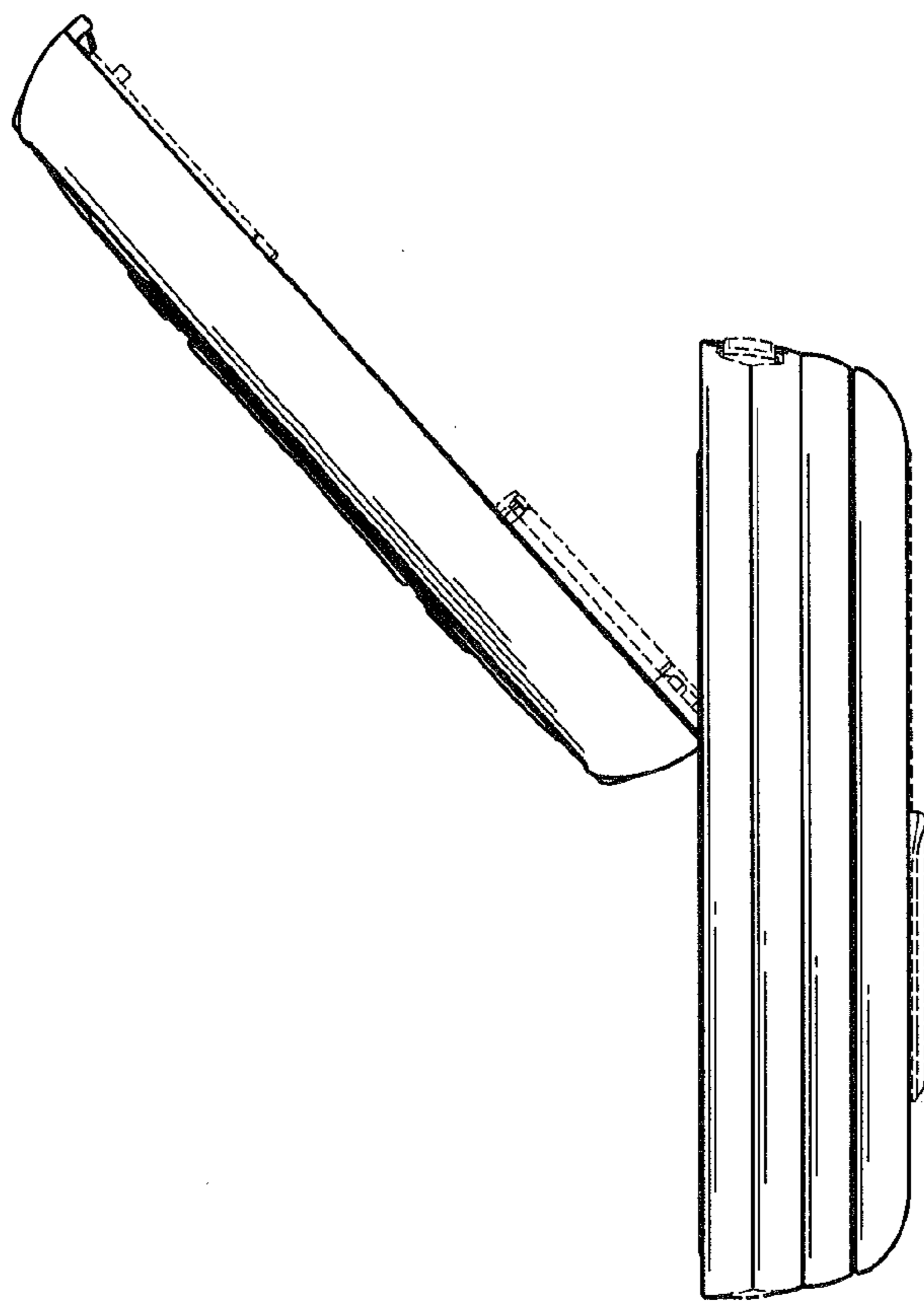


FIG.5

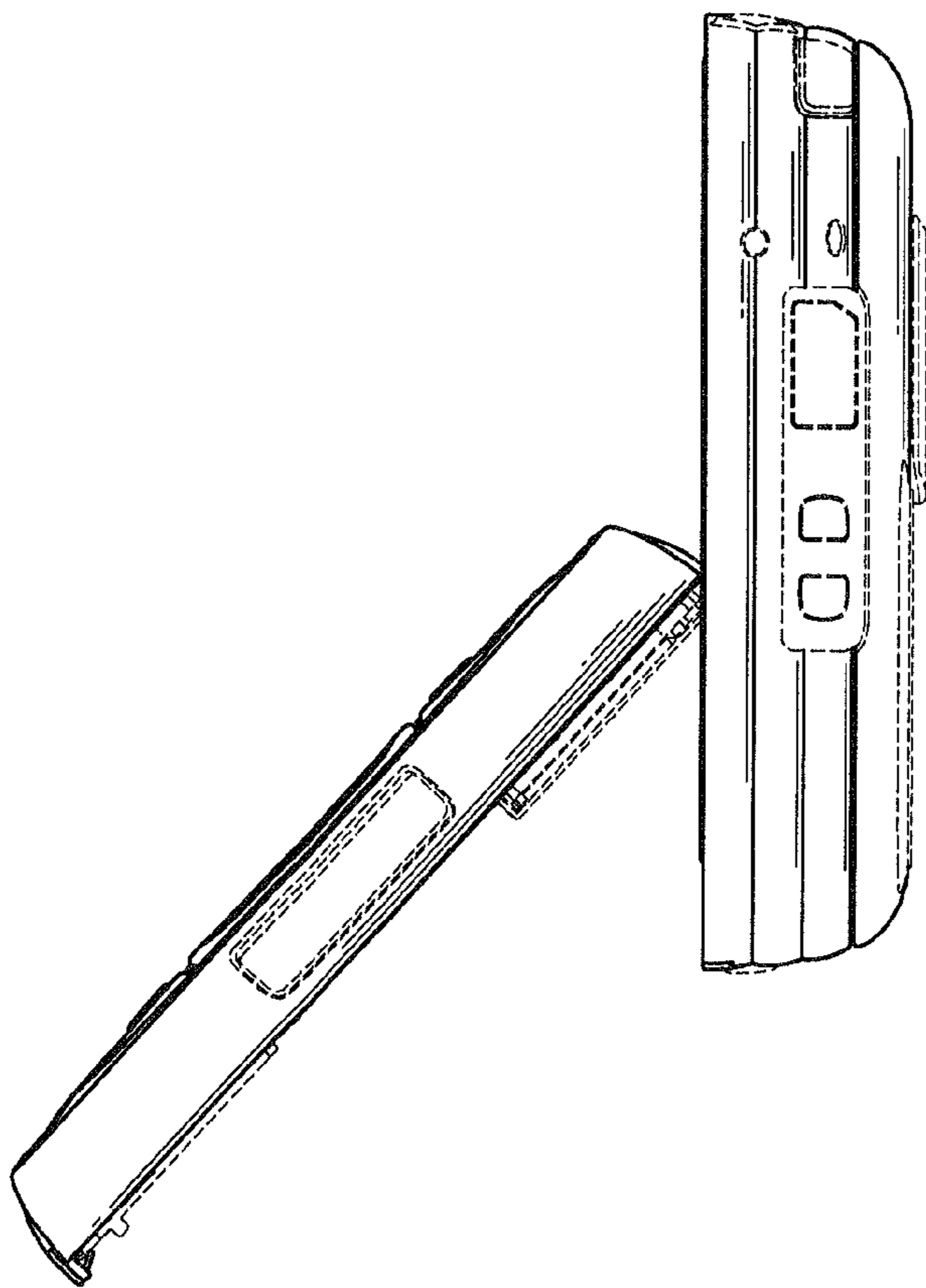


FIG.4

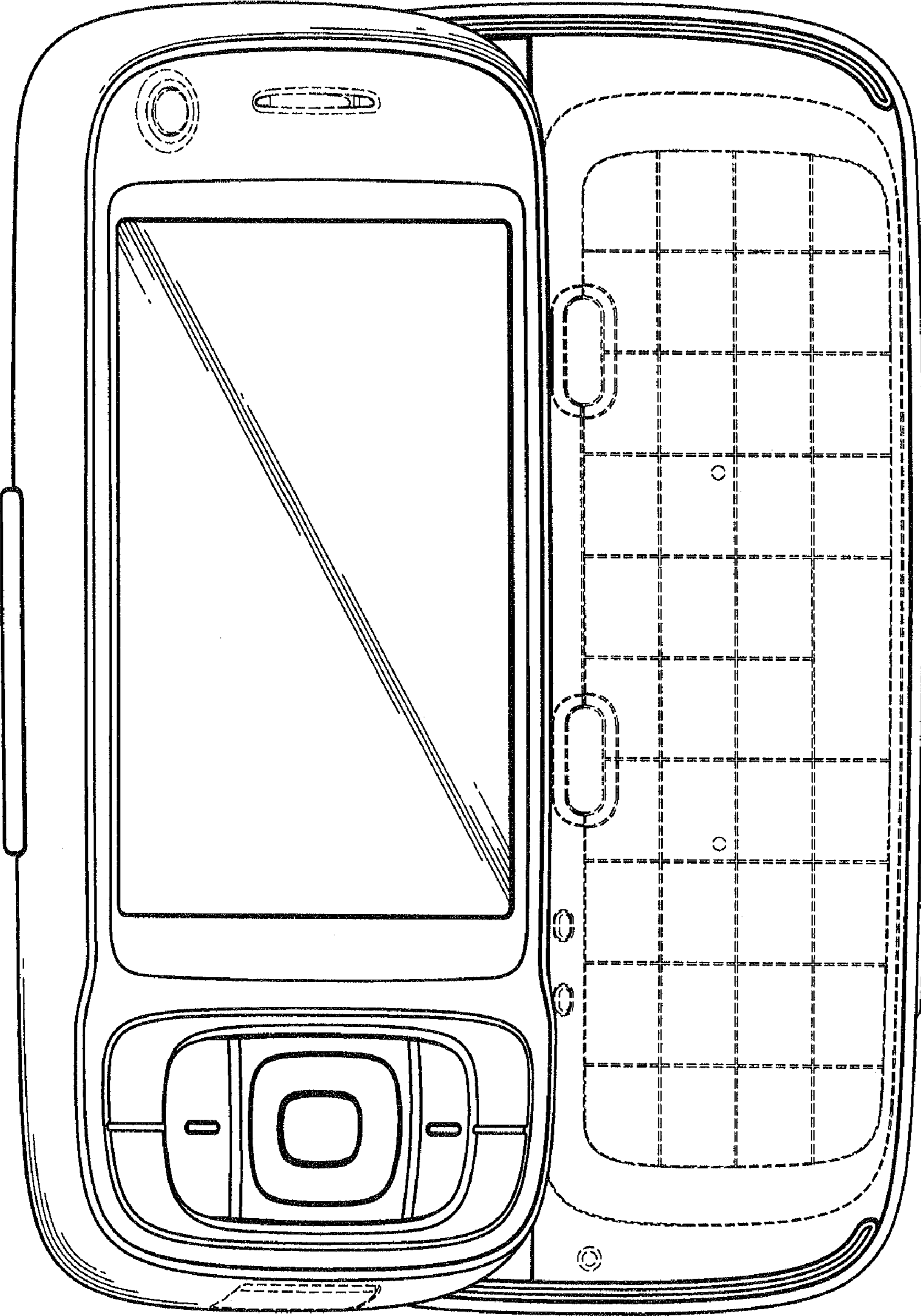


FIG. 6



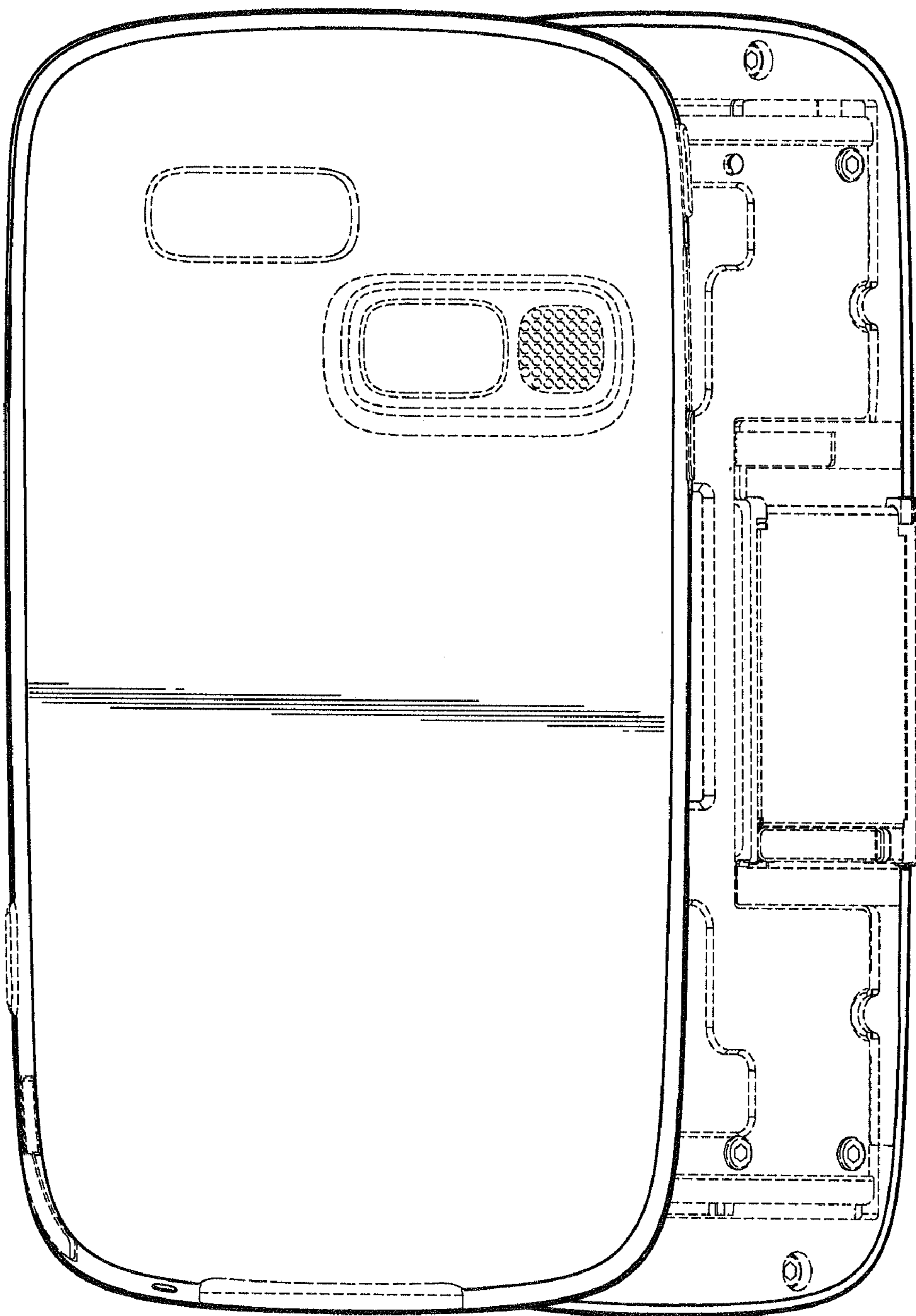


FIG.7