



US00D588082S

(12) **United States Design Patent**
Arai

(10) **Patent No.:** **US D588,082 S**
(45) **Date of Patent:** **** Mar. 10, 2009**

(54) **TELEVISION RECEIVER**

(75) Inventor: **Miki Arai**, Chiyoda-Ku (JP)

(73) Assignee: **Mitsubishi Electric Corporation**,
Tokyo (JP)

(**) Term: **14 Years**

(21) Appl. No.: **29/318,224**

(22) Filed: **May 15, 2008**

(30) **Foreign Application Priority Data**

Dec. 20, 2007 (JP) 2007-035025

(51) **LOC (9) Cl.** **14-03**

(52) **U.S. Cl.** **D14/126**

(58) **Field of Classification Search** D14/125–134,
D14/239, 371, 136, 374–377, 440, 450, 448,
D14/336, 342; 312/7.2; 348/836, 838, 180,
348/184, 325, 739; 341/12; 248/917–924,
248/465; 345/104, 133, 156, 168, 87, 173;
720/605, 669, 600, 655; 369/99, 197; 455/344,
455/347; D21/329, 515, 577, 622, 333, 433,
D21/448, 452, 450, 331; D6/477, 479; 273/148 B;
446/484, 175, 356; D10/15, 26
See application file for complete search history.

(56) **References Cited**

U.S. PATENT DOCUMENTS

D399,199 S * 10/1998 Renk, Jr. D14/126
D427,169 S * 6/2000 Saeki et al. D14/126
D545,779 S * 7/2007 Kita D14/126
D546,299 S * 7/2007 Honda et al. D14/126
D546,302 S * 7/2007 Kita D14/126
D563,335 S * 3/2008 Murata et al. D14/126

D564,994 S * 3/2008 Yamaguchi D14/126
D571,744 S * 6/2008 Wang D14/126
D572,217 S * 7/2008 Shih D14/126
D572,678 S * 7/2008 Fujiki D14/126
D573,958 S * 7/2008 Shih D14/126

* cited by examiner

Primary Examiner—Raphael Barkai

(74) *Attorney, Agent, or Firm*—Sughrue Mion, PLLC

(57) **CLAIM**

The ornamental design for a television receiver, as shown and described.

DESCRIPTION

FIG. 1 is a front, top and left side perspective view of a television receiver, showing my new design;

FIG. 2 is a front elevational view thereof;

FIG. 3 is a rear elevational view thereof;

FIG. 4 is a top plan view thereof;

FIG. 5 is a bottom plan view thereof;

FIG. 6 is a left side elevational view thereof;

FIG. 7 is a right side elevational view thereof;

FIG. 8 is an enlarged cross-sectional view thereof; taken along line 8—8 of FIG. 2, with the internal system omitted;

FIG. 9 is an enlarged partial view thereof; taken along line 9—9 of FIG. 2;

FIG. 10 is an enlarged partial perspective view thereof; and,

FIG. 11 is a reference view showing the state in use.

The broken lines shown in FIG. 11 are for illustrative purposes only and form no part of the claimed design.

1 Claim, 5 Drawing Sheets

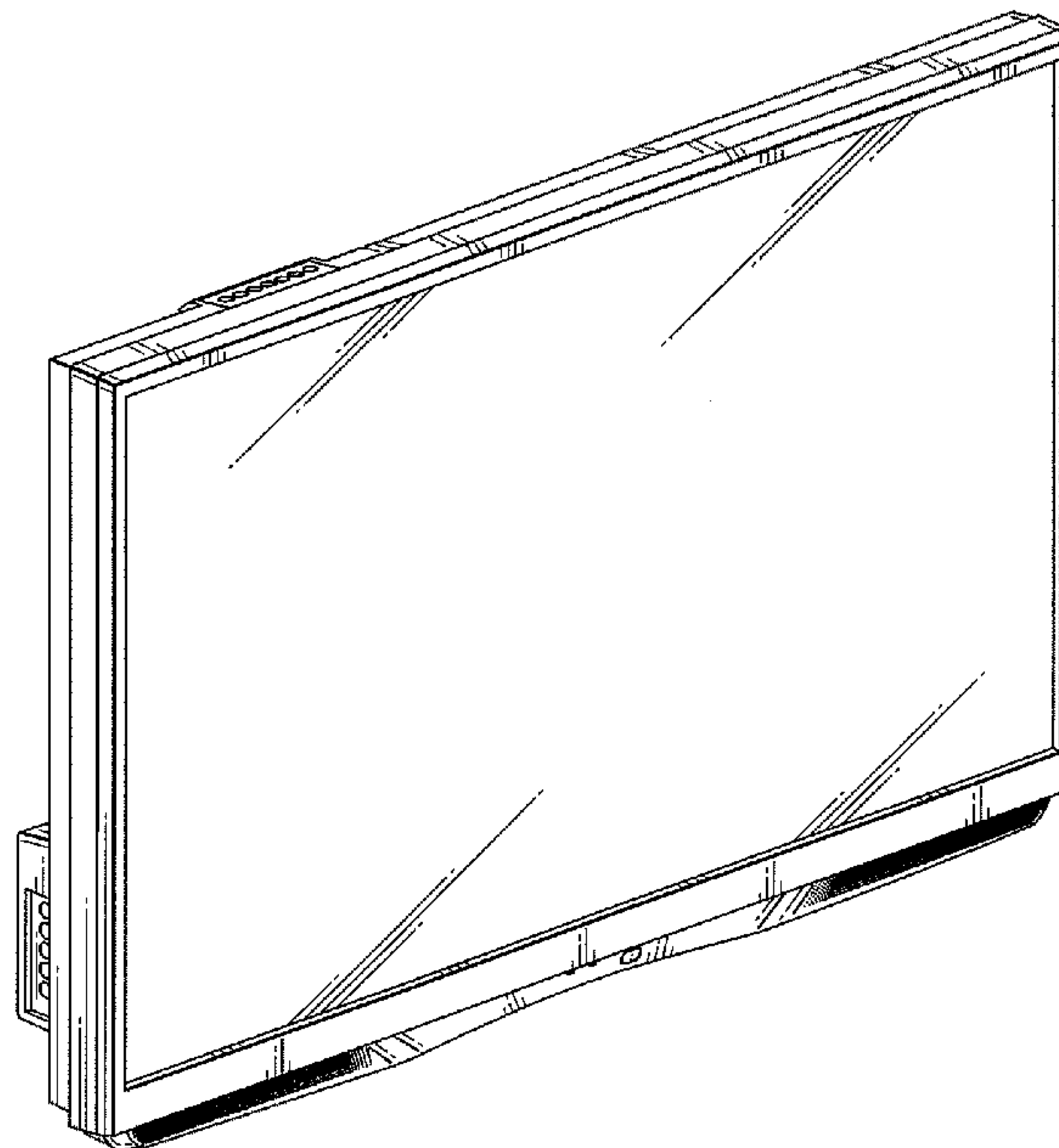


FIG. 1

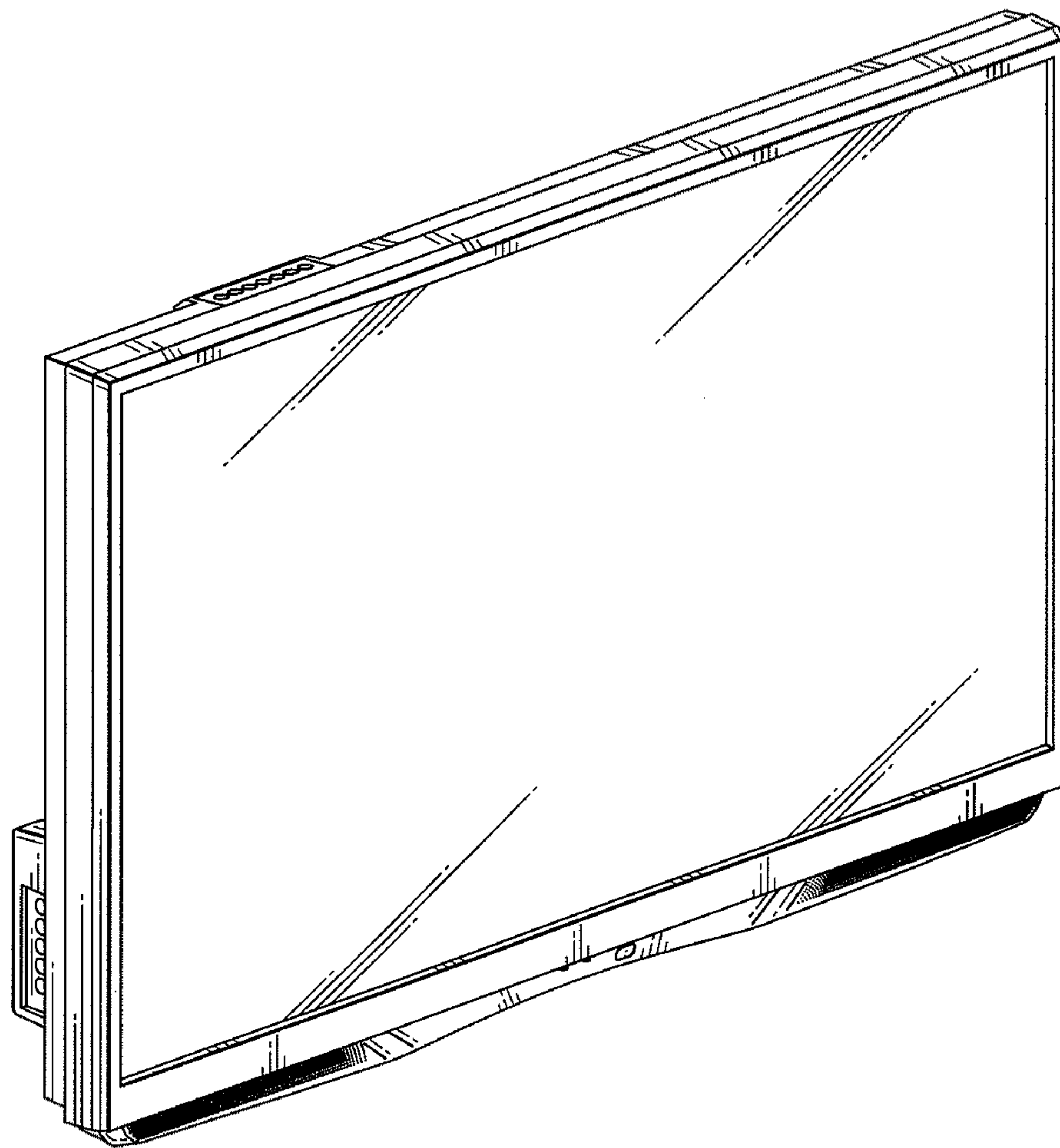


FIG.2

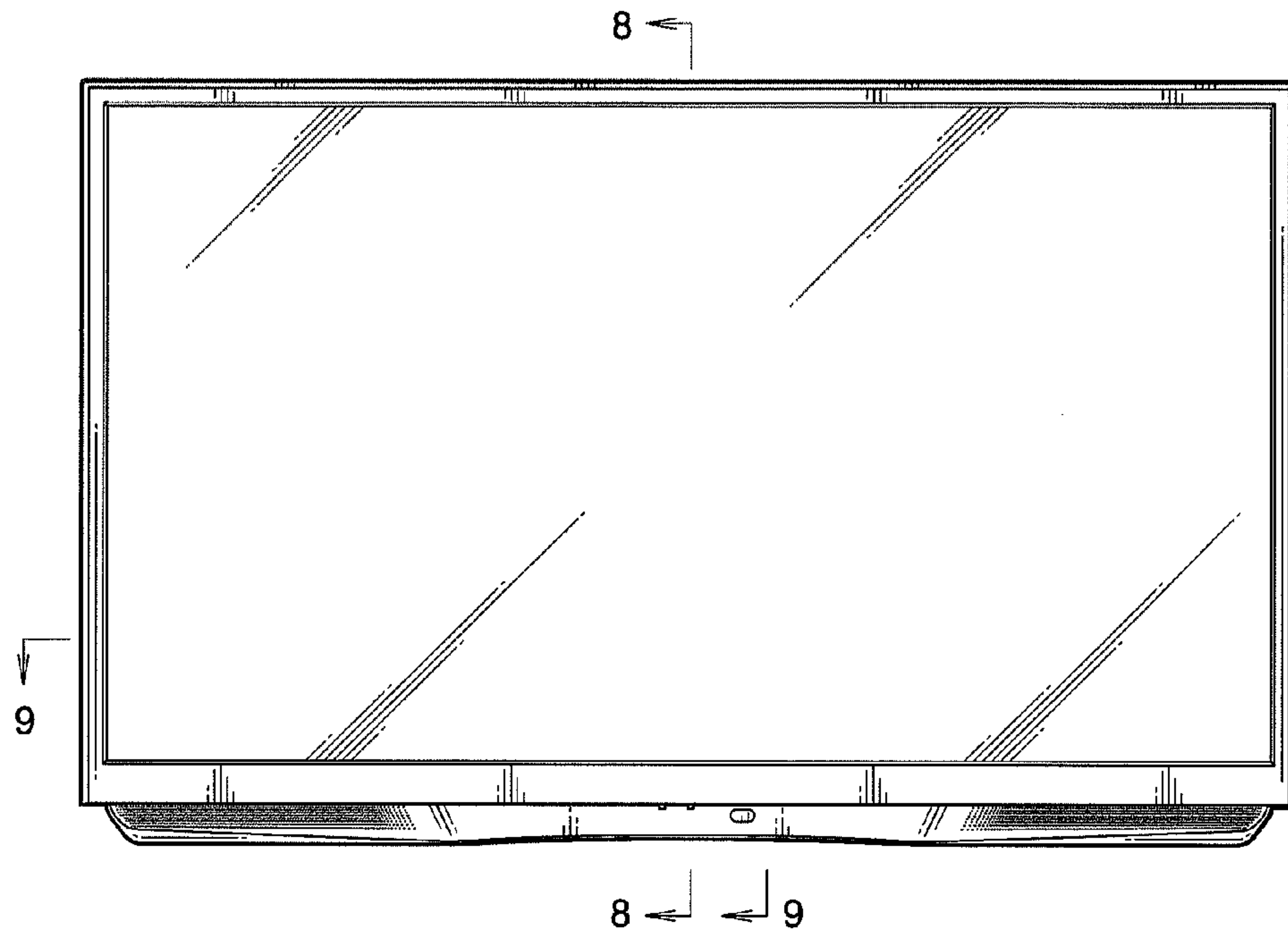


FIG.3

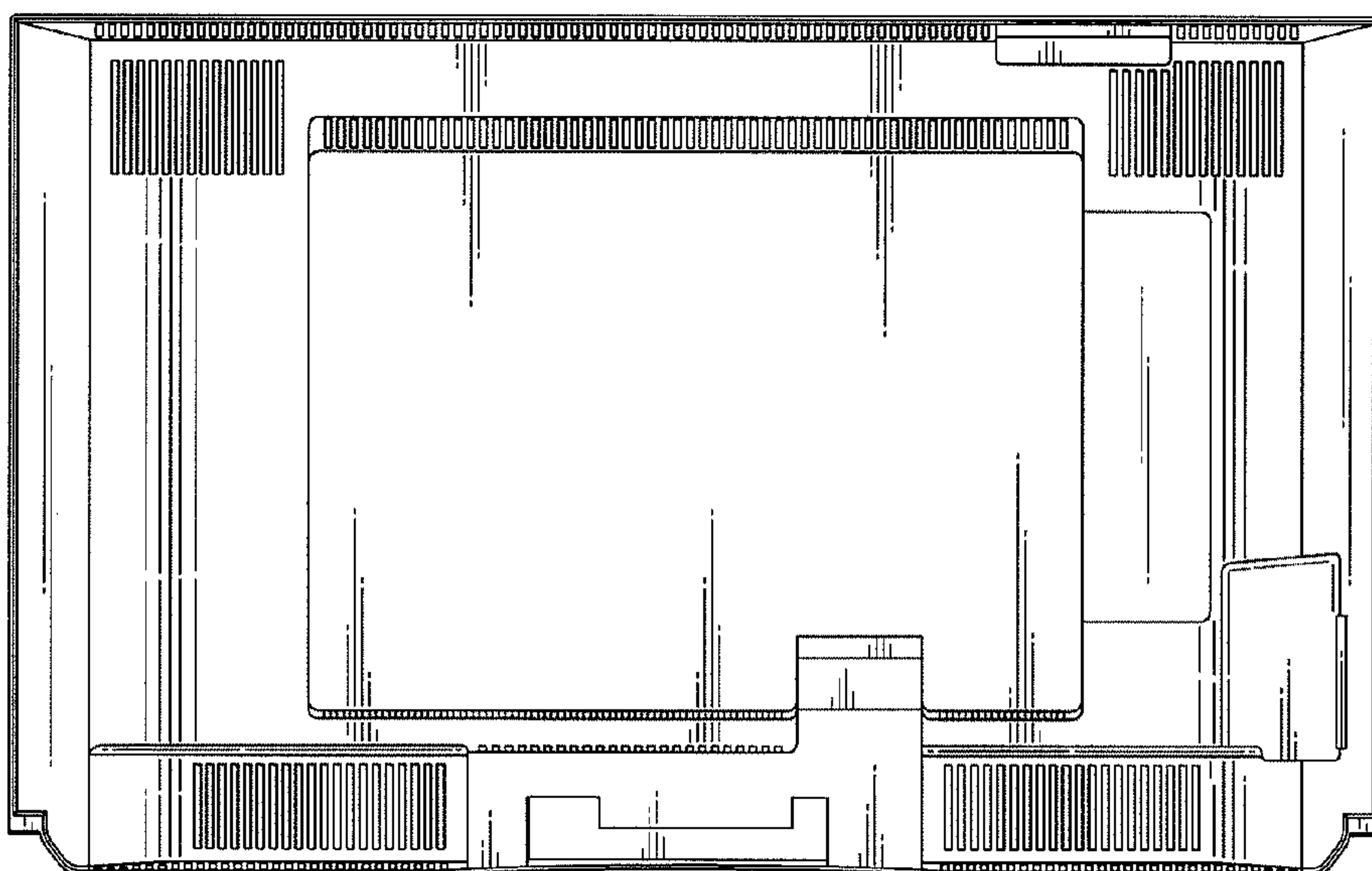


FIG.4

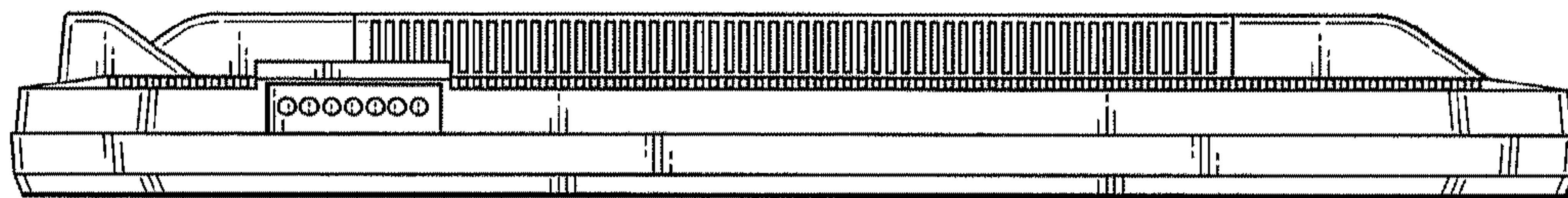


FIG.5

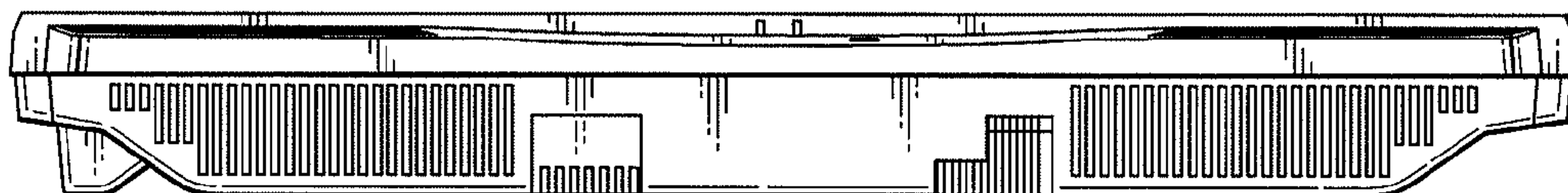


FIG.6

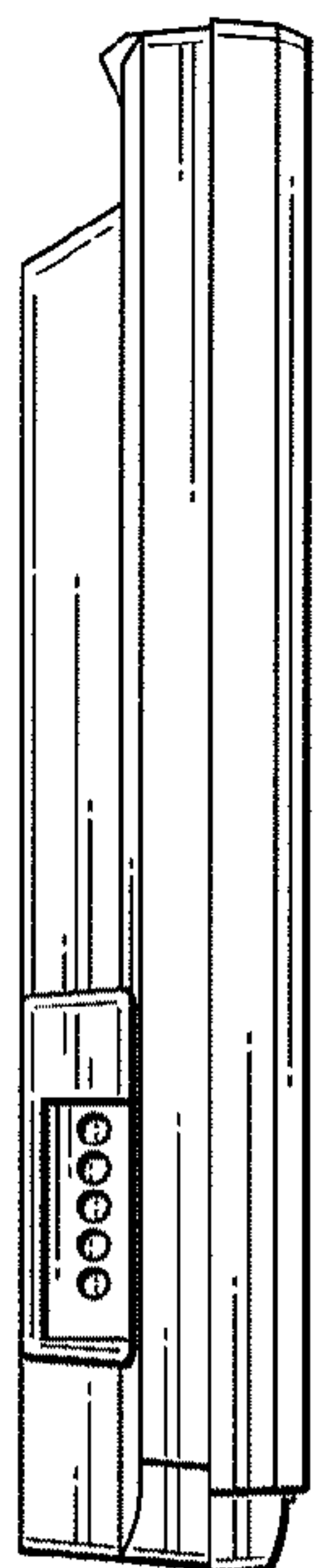


FIG.7

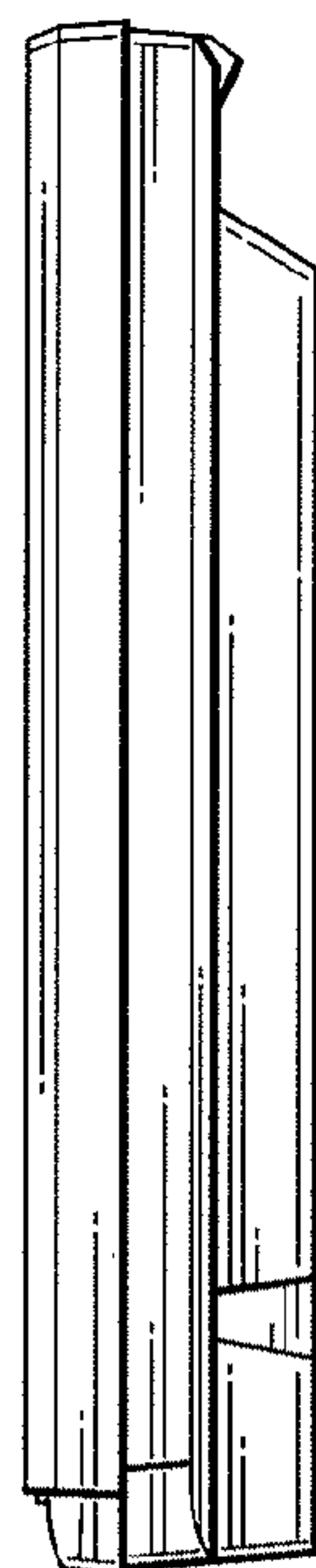


FIG.8

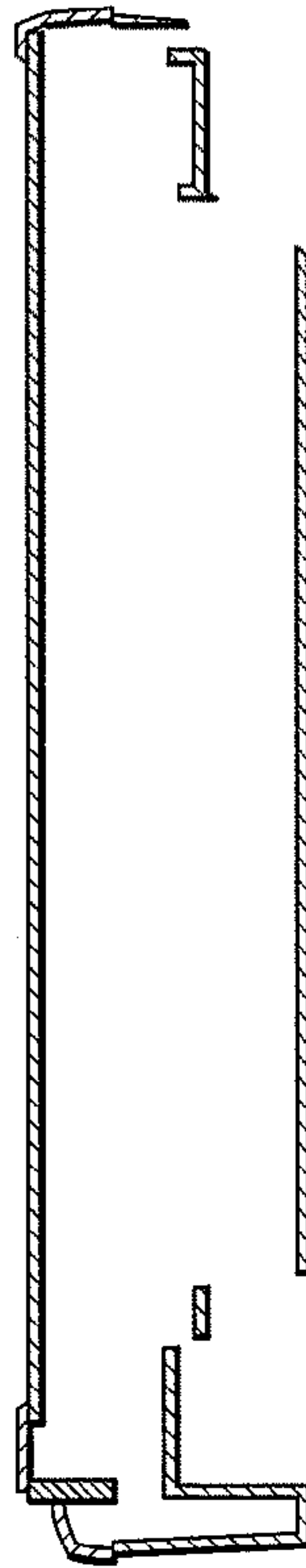


FIG.9

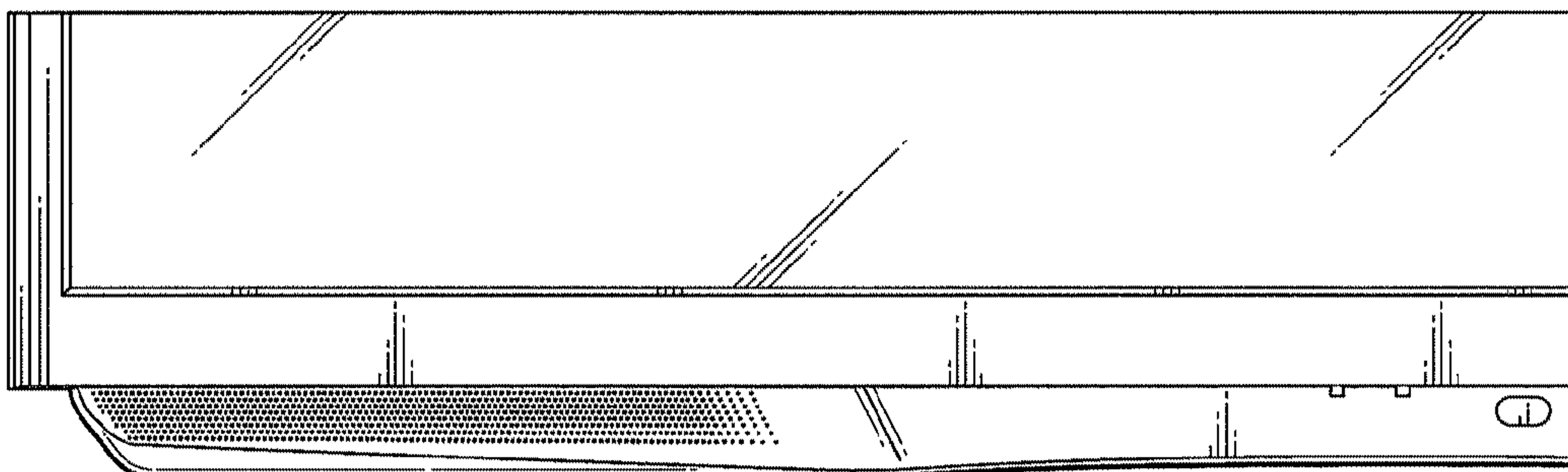


FIG.10

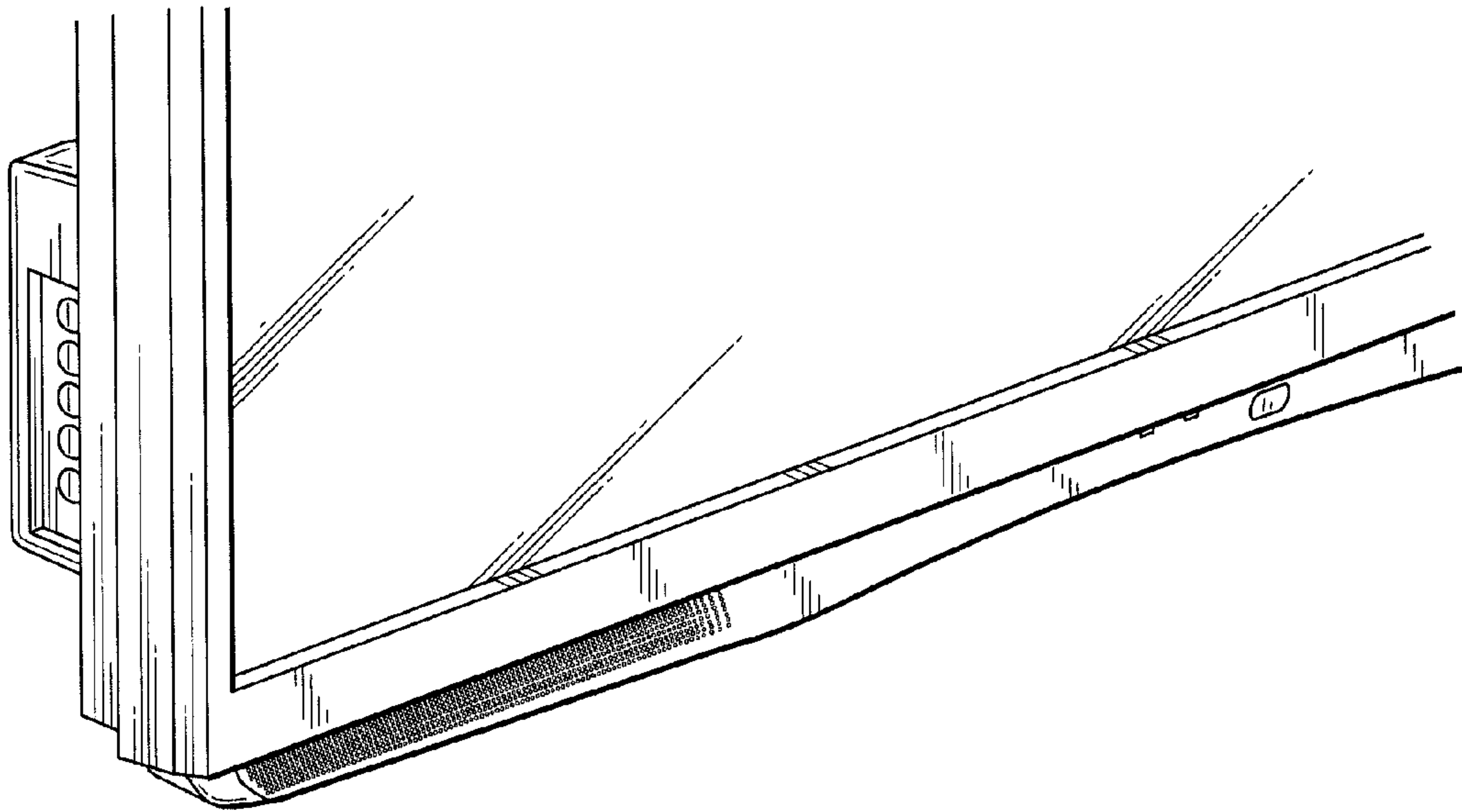


FIG.11

