



US00D588076S

(12) **United States Design Patent**  
**Ollila**

(10) **Patent No.:** **US D588,076 S**  
(45) **Date of Patent:** **\*\* Mar. 10, 2009**

(54) **REMOTE CONTROL**

(75) Inventor: **David J. Ollila**, Marquette, MI (US)

(73) Assignee: **V.I.O. Inc**, Marquette, MI (US)

(\*\*) Term: **14 Years**

(21) Appl. No.: **29/280,580**

(22) Filed: **May 31, 2007**

(51) **LOC (9) Cl.** ..... **14-03**

(52) **U.S. Cl.** ..... **D13/168**

(58) **Field of Classification Search** ..... D13/168;  
D10/104, 106; D14/218, 247; 340/825.22,  
340/825.24, 825.25, 825.31, 825.36, 825.69,  
340/825.72; 341/20, 22, 23, 34, 176; 345/156,  
345/158, 169; 348/734; 455/92, 95, 100,  
455/128, 151.1–151.4, 352–355; 463/39;  
700/17, 19, 20, 65, 83; 701/2  
See application file for complete search history.

(56) **References Cited**

**U.S. PATENT DOCUMENTS**

D299,922 S \* 2/1989 Schremmer ..... D14/218  
D309,890 S \* 8/1990 Cheng ..... D13/168  
D313,973 S \* 1/1991 Walker ..... D13/168

D333,636 S \* 3/1993 Issa ..... D10/106  
D357,639 S \* 4/1995 Flick ..... D10/104  
D357,919 S \* 5/1995 Tsui ..... D14/218  
D373,318 S \* 9/1996 Berch et al. .... D10/106  
D376,114 S \* 12/1996 Seki et al. .... D10/104  
D468,274 S \* 1/2003 Novak ..... D13/168  
D514,527 S \* 2/2006 DiPasquale ..... D13/168  
D528,511 S \* 9/2006 Li ..... D13/168  
D549,667 S \* 8/2007 Huang ..... D13/168

\* cited by examiner

*Primary Examiner*—Selina Sikder

(74) *Attorney, Agent, or Firm*—Dobrusin & Thennisch PC

(57) **CLAIM**

The ornamental design for a remote control device, as shown and described.

**DESCRIPTION**

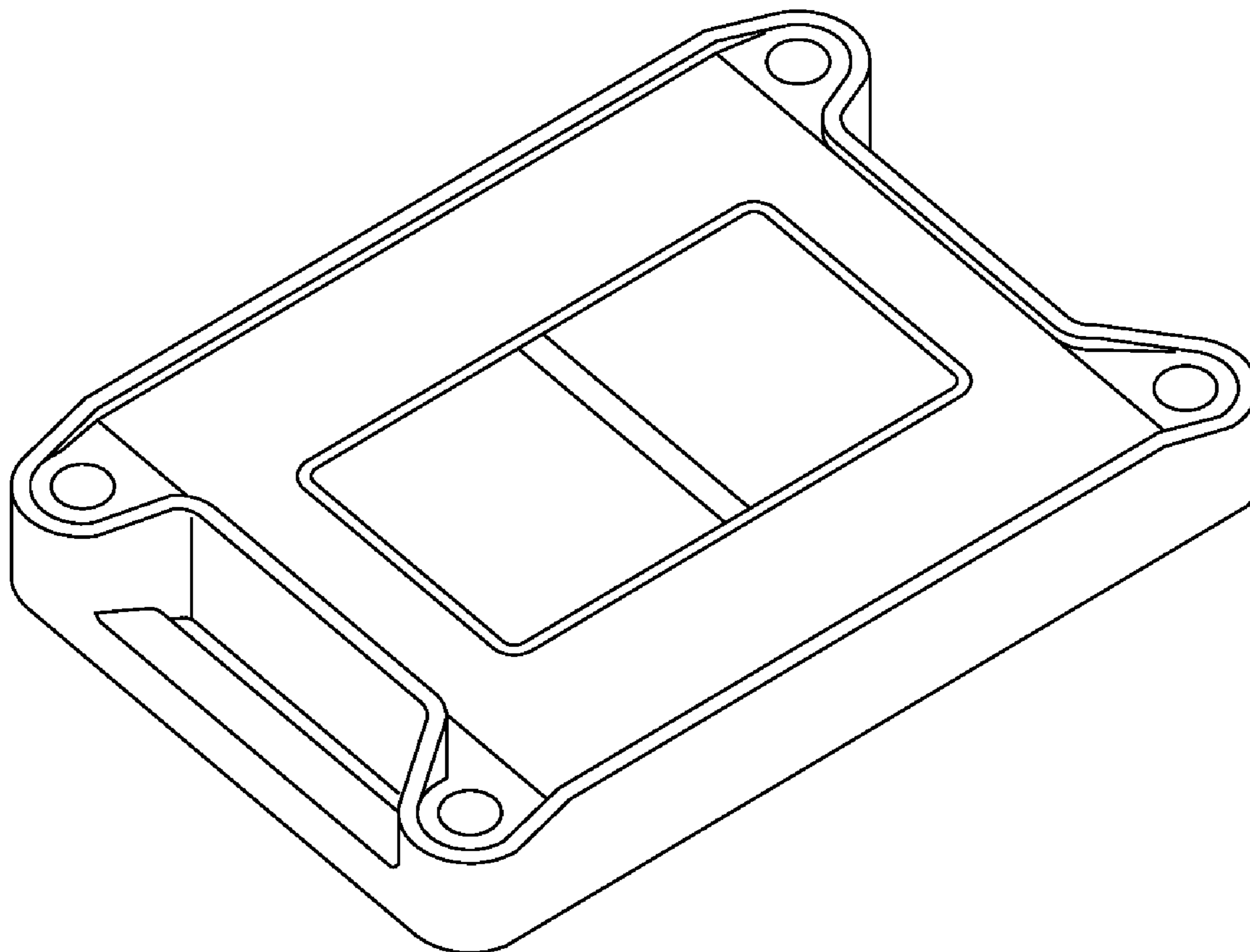
FIG. 1 is a perspective view of the remote control device showing my new design;

FIG. 2 is a side elevation thereof;

FIG. 3 is a front elevation thereof; and,

FIG. 4 is a top plan view thereof.

**1 Claim, 1 Drawing Sheet**



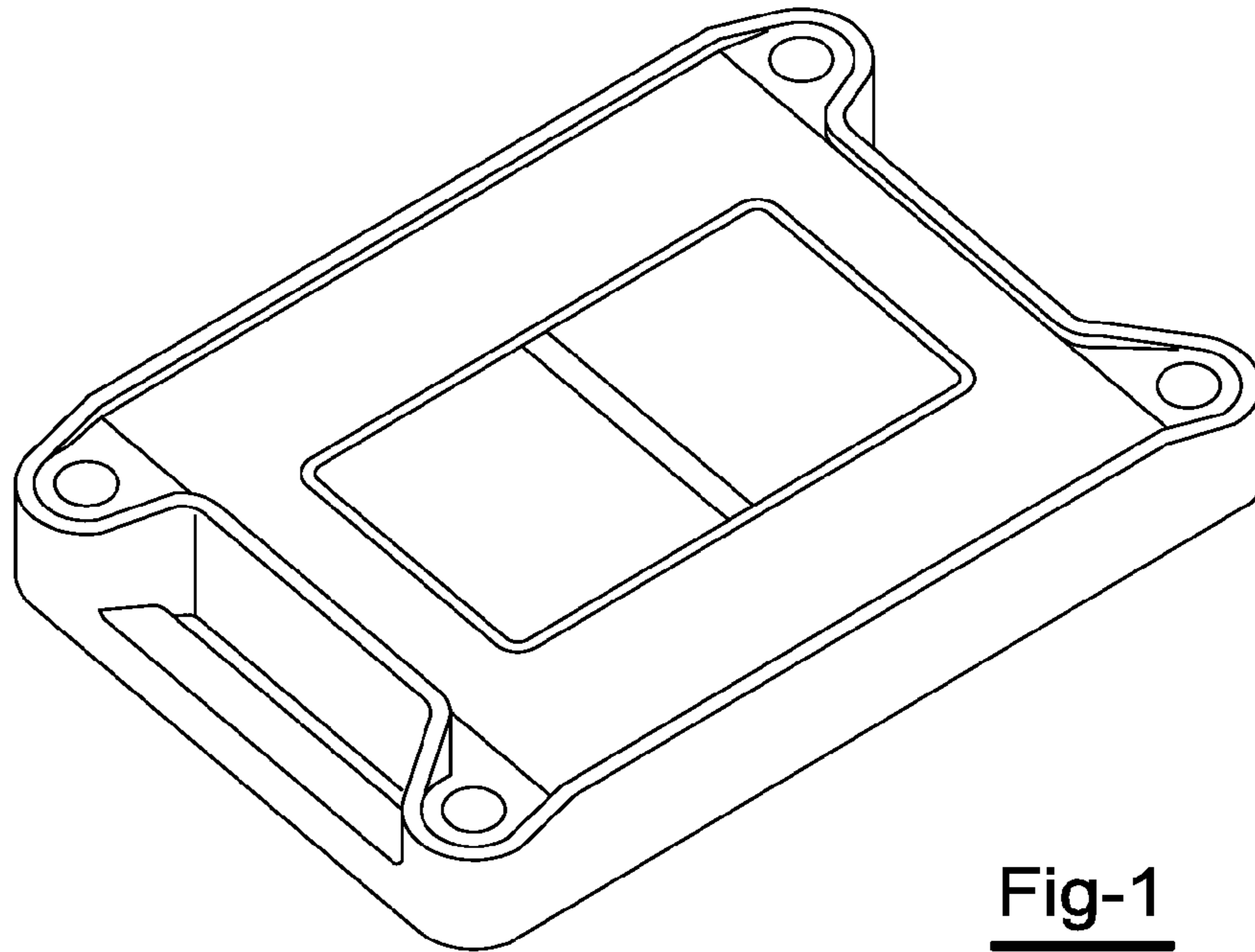


Fig-1

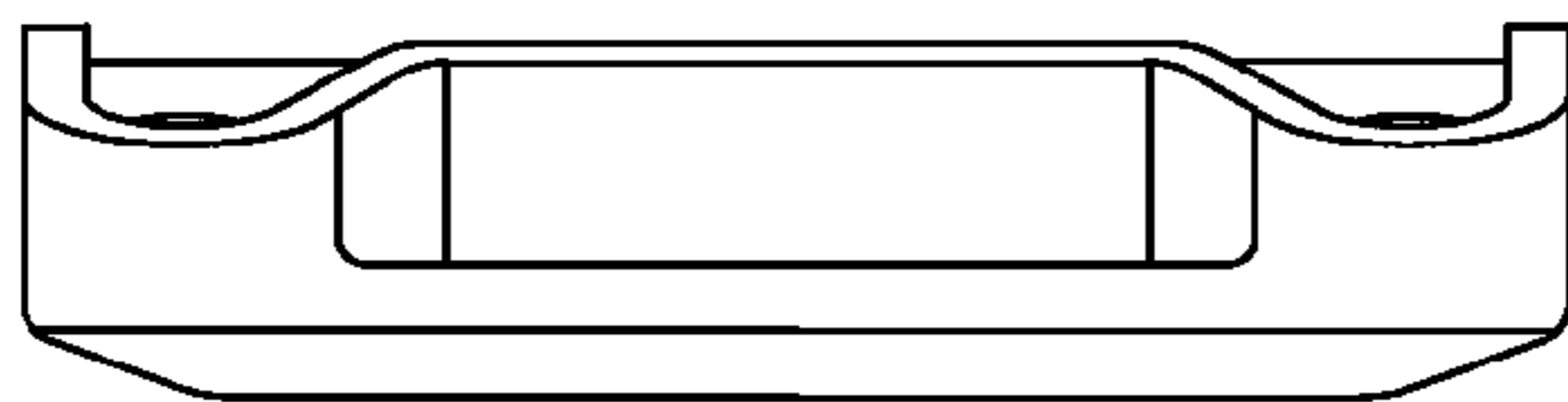


Fig-2

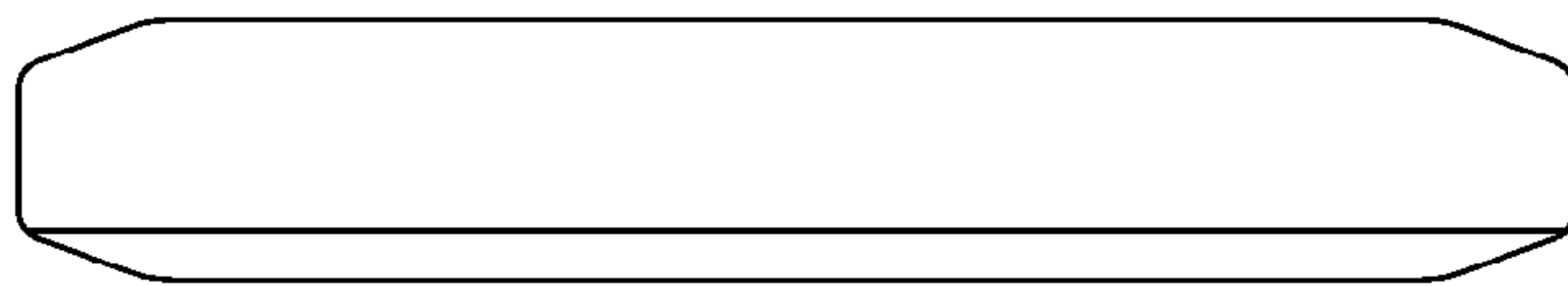


Fig-3

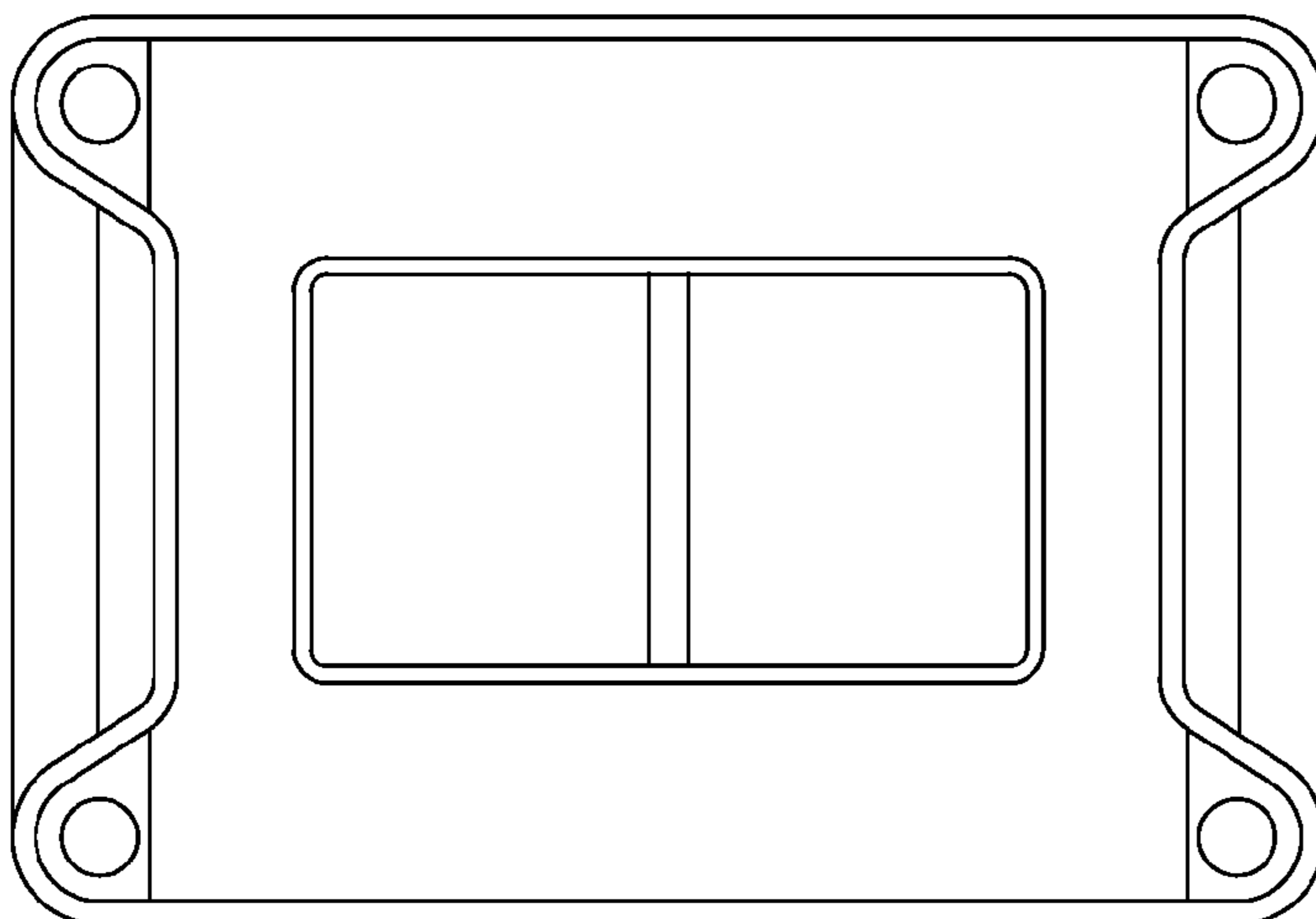


Fig-4