



US00D588068S

(12) **United States Design Patent**
Cummings et al.

(10) **Patent No.:** **US D588,068 S**
(45) **Date of Patent:** **** Mar. 10, 2009**

(54) **BUTTON ASSEMBLY**

(75) Inventors: **Stephen John Cummings**, Newport (AU); **David Giorgio**, Five Dock (AU)

(73) Assignee: **Caroma Industries Limited** (AU)

(**) Term: **14 Years**

(21) Appl. No.: **29/302,975**

(22) Filed: **Jan. 29, 2008**

(30) **Foreign Application Priority Data**

Aug. 1, 2007 (AU) 19157/2007

(51) **LOC (9) Cl.** **13-03**

(52) **U.S. Cl.** **D13/158**

(58) **Field of Classification Search** D13/151, D13/158, 160-164, 171, 173, 177, 184, 199; 200/314, 294, 295, 51 R, 51.11, 504, 538, 200/540, 541, 545, 180; 362/311, 30, 85, 362/361, 363, 355, 375, 800

See application file for complete search history.

(56) **References Cited**

U.S. PATENT DOCUMENTS

3,934,105	A *	1/1976	Lockard	200/317
4,370,533	A *	1/1983	Kamei et al.	200/521
4,445,164	A *	4/1984	Giles et al.	362/311
4,663,601	A *	5/1987	Troutman et al.	335/207
4,987,278	A *	1/1991	Tsutsumi	200/294
5,036,441	A *	7/1991	Herron	362/95
5,043,545	A *	8/1991	Yamashita et al.	200/293

5,191,969	A *	3/1993	Berger	200/296
D409,151	S *	5/1999	Berger et al.	D13/158
7,161,101	B2 *	1/2007	Scavella	200/51 R
D559,194	S *	1/2008	Nielsen	D13/158
2007/0029176	A1 *	2/2007	Sakurai	200/6 A

* cited by examiner

Primary Examiner—Daniel D Bui

Assistant Examiner—Thomas J Johannes

(74) *Attorney, Agent, or Firm*—Fitch, Even, Tabin & Flannery

(57) **CLAIM**

We claim the ornamental design for a button assembly, as shown and described.

DESCRIPTION

FIG. 1 is a top plan view of a button assembly showing our new design;

FIG. 2 is a front perspective view of our new design;

FIG. 3 is a rear perspective view thereof;

FIG. 4 is a left side view thereof;

FIG. 5 is a front view thereof;

FIG. 6 is a right side view thereof;

FIG. 7 is a rear view thereof; and,

FIG. 8 is a bottom view thereof.

The broken line portion of the figure drawings is included to show unclaimed subject matter only and forms no part of the claimed design.

1 Claim, 4 Drawing Sheets

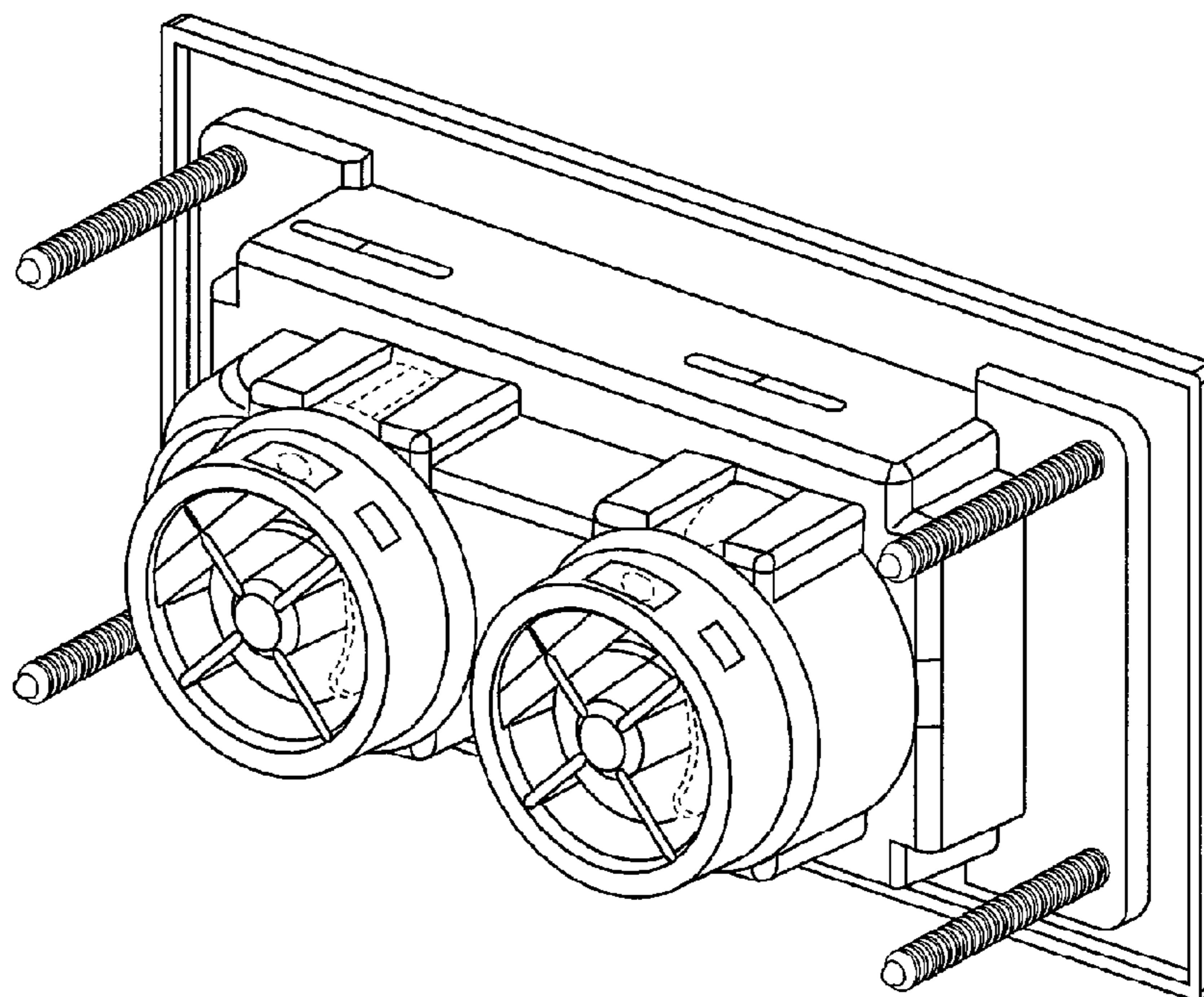


Fig. 1

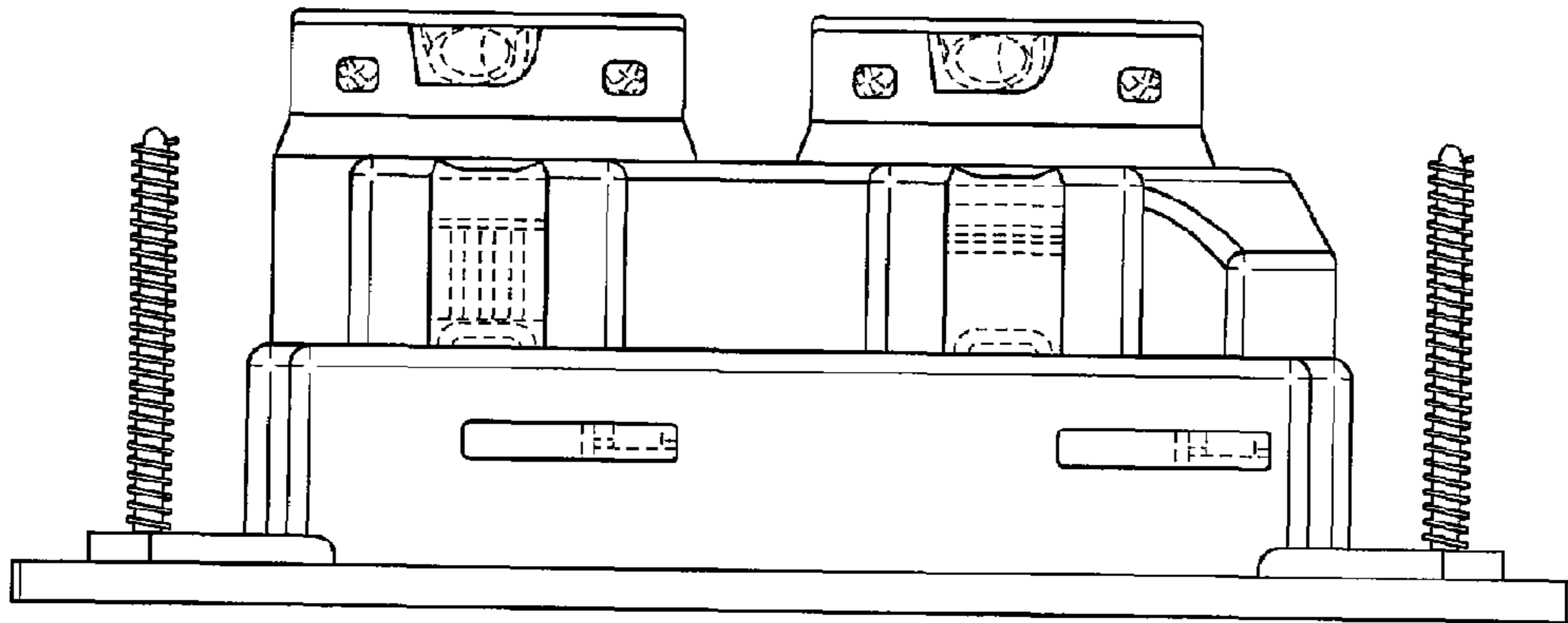


Fig. 2

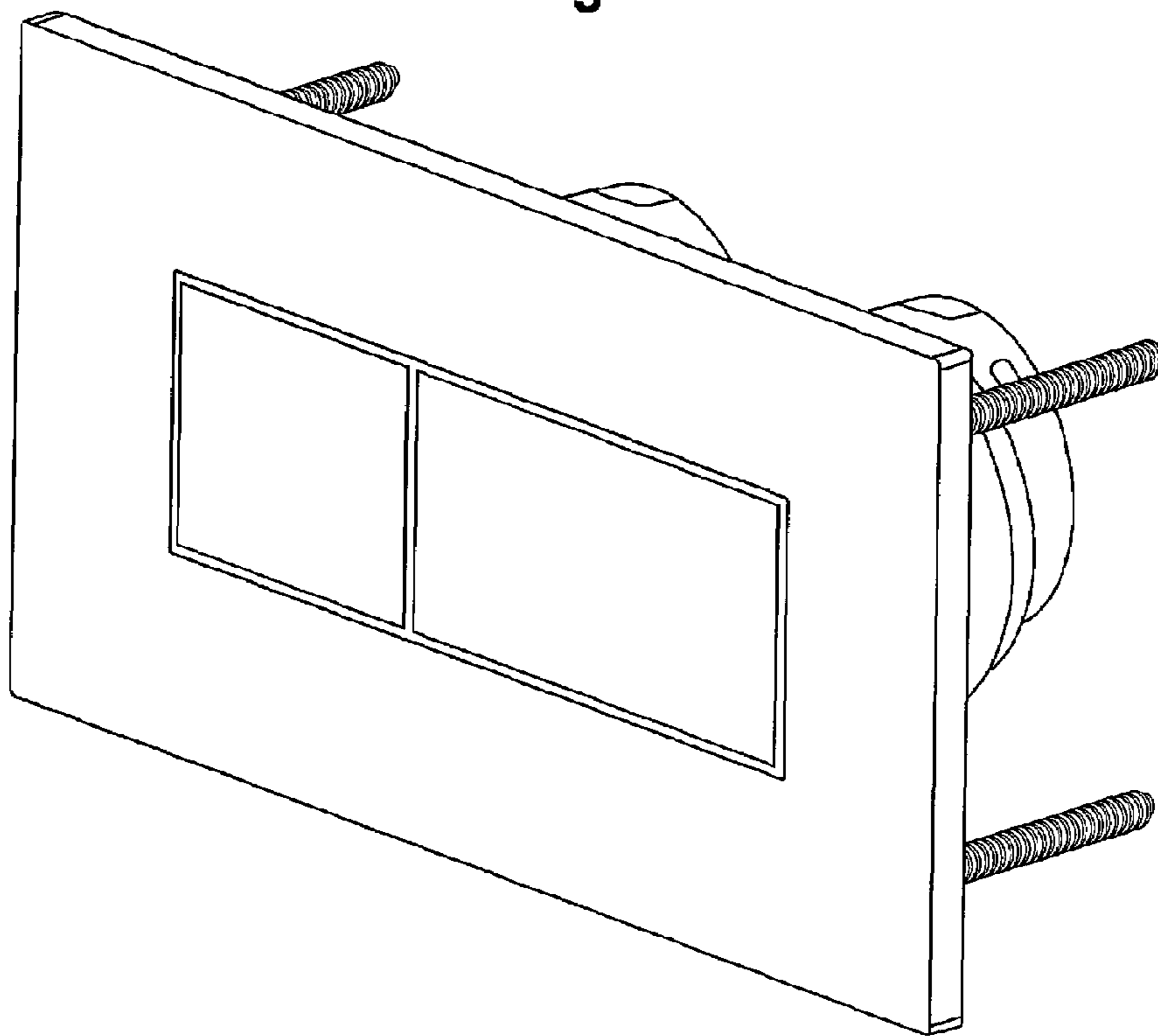


Fig. 3

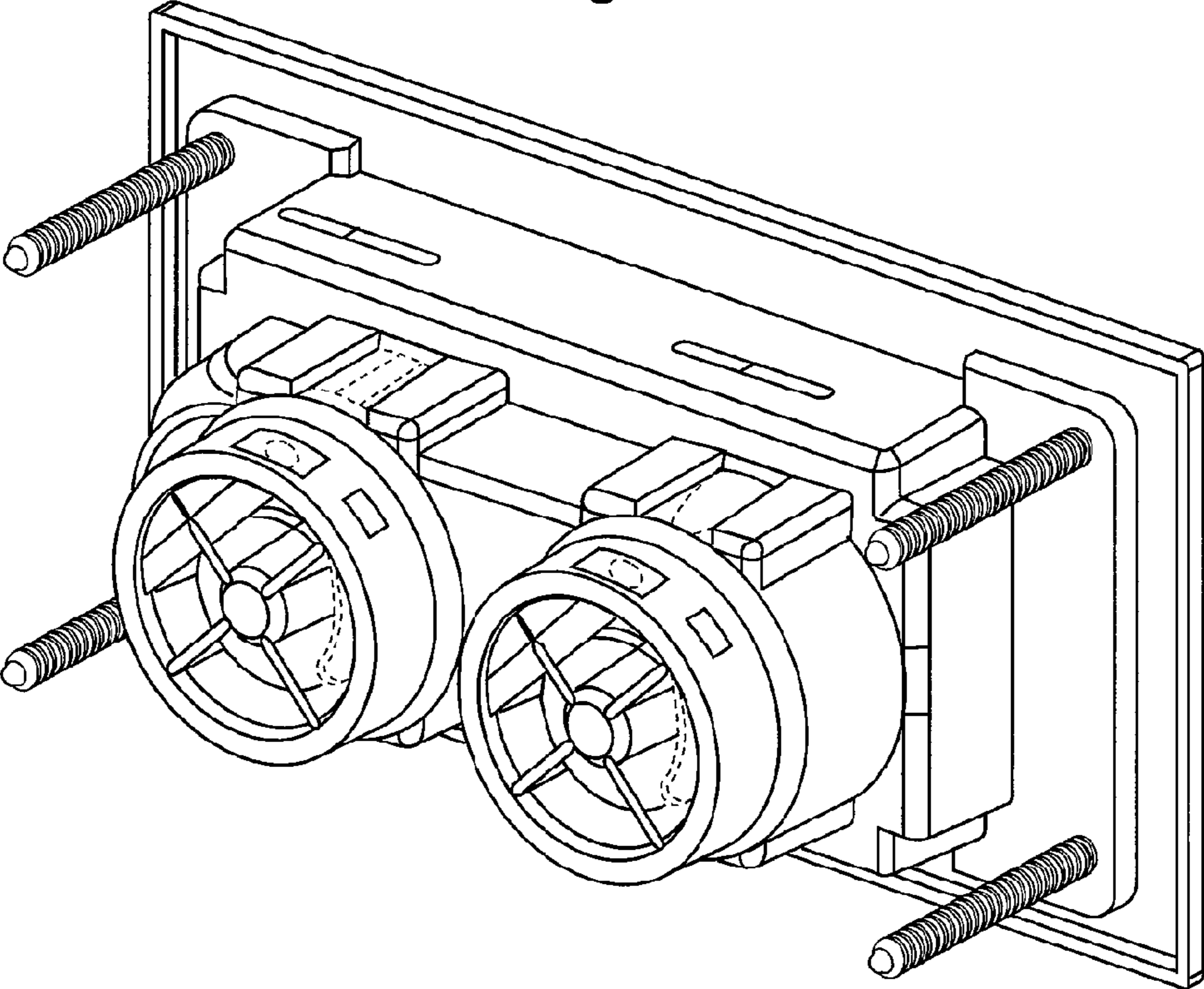


Fig. 4

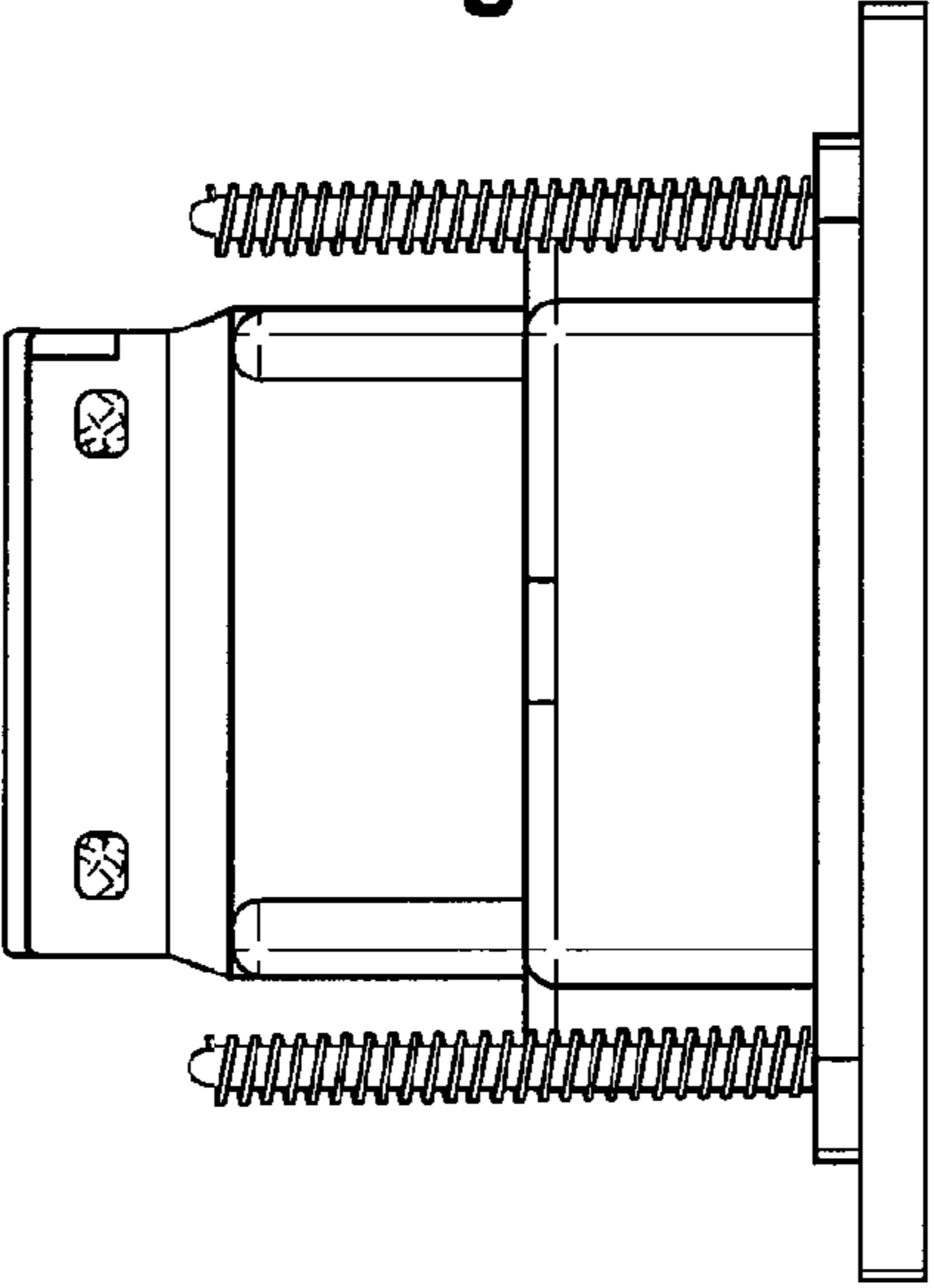


Fig. 5

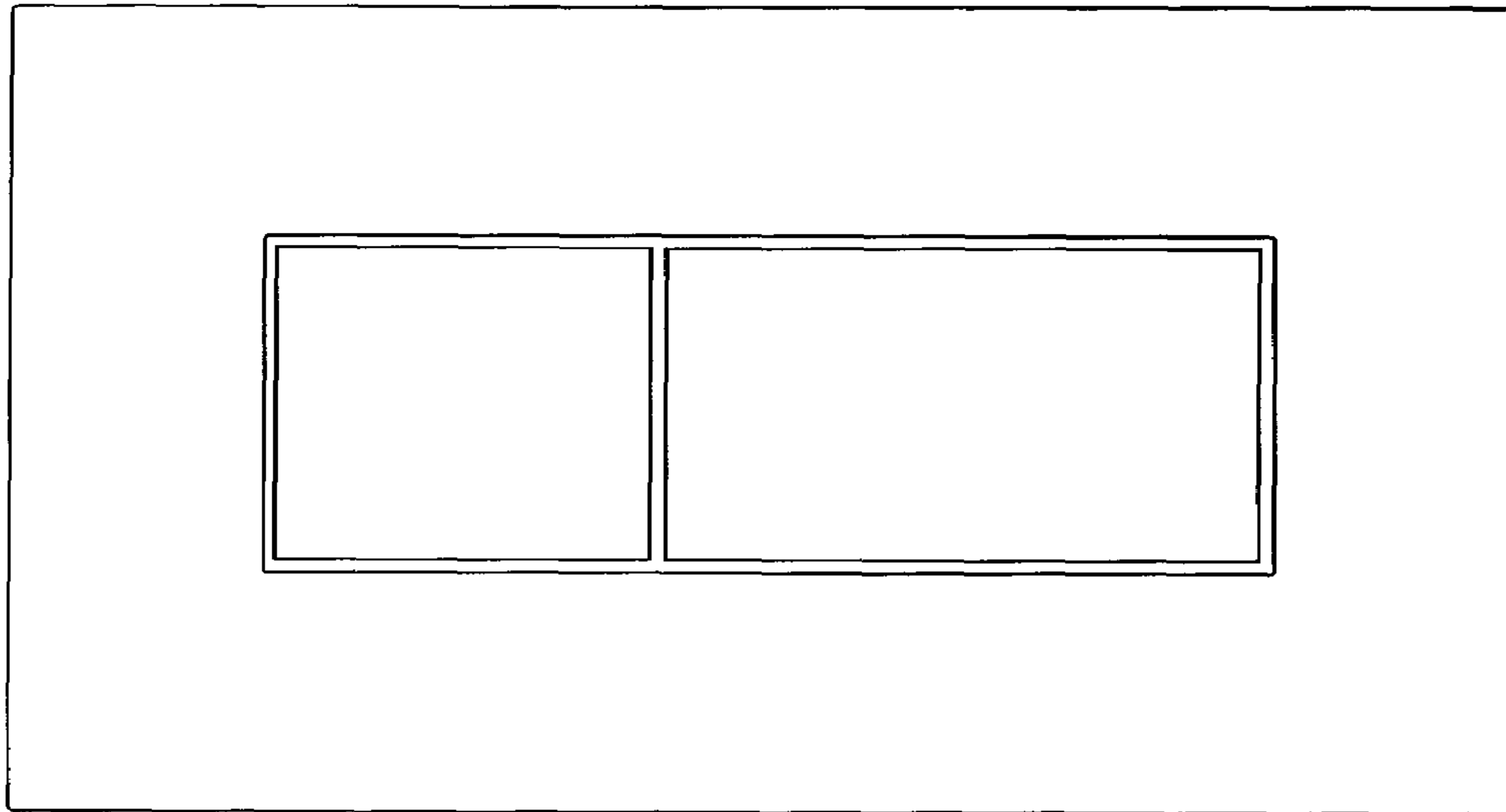


Fig. 6

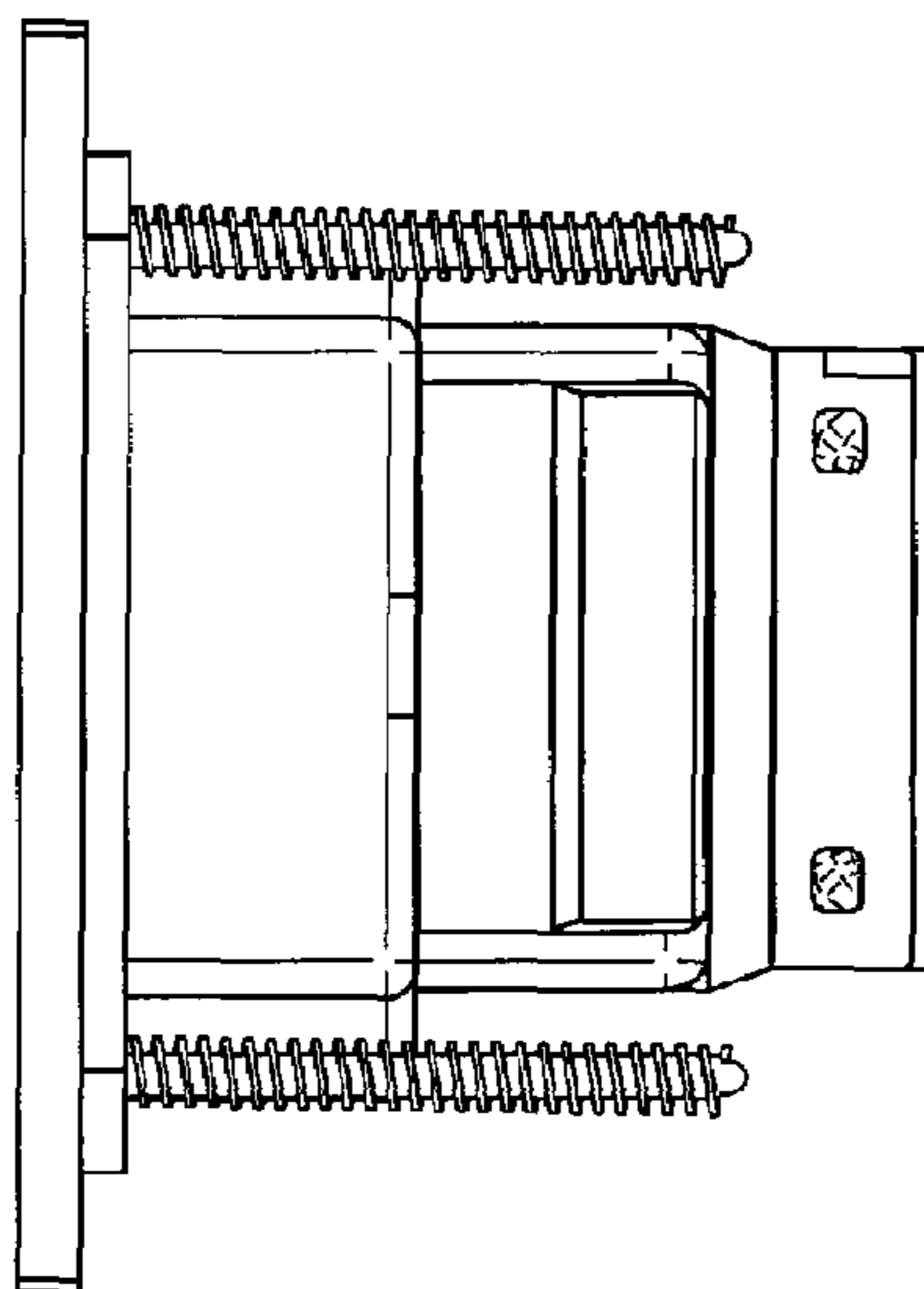


Fig. 7

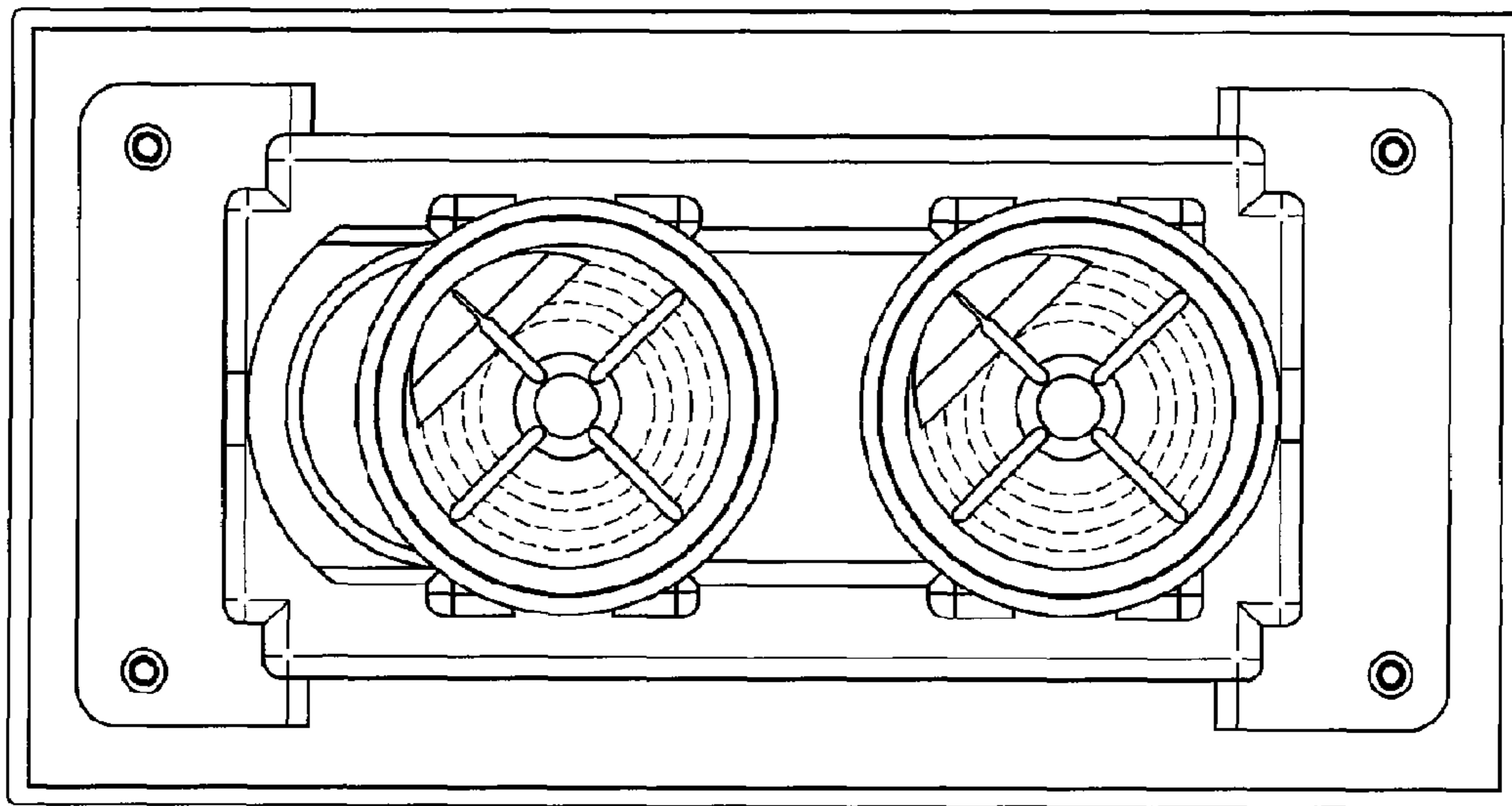


Fig. 8

