



US00D588062S

(12) **United States Design Patent**
Bao et al.

(10) **Patent No.:** **US D588,062 S**
(45) **Date of Patent:** **** Mar. 10, 2009**

(54) **SHELL OF THE VEHICLE AUXILIARY
POWER GENERATION SYSTEM**

(75) Inventors: **Chengrong Bao**, Yancheng (CN);
Hongchun Ding, Yancheng (CN);
Weifeng Chen, Yancheng (CN); **Wenhai
Xia**, Yancheng (CN); **Guangzhi Liu**,
Yancheng (CN); **Shuguang Xie**,
Yancheng (CN); **Yibo Shan**, Yancheng
(CN); **Tianzhu Wang**, Yancheng (CN)

(73) Assignee: **Jiangsu Jianghuai Engine Co., Ltd.**,
Yancheng (CN)

(**) Term: **14 Years**

(21) Appl. No.: **29/298,470**

(22) Filed: **Dec. 5, 2007**

(51) **LOC (9) Cl.** **13-01**

(52) **U.S. Cl.** **D13/122; D15/28**

(58) **Field of Classification Search** D13/122,
D13/114, 110, 112, 184, 162; D15/5, 28,
D15/17, 1, 10; D24/232; 180/89.1; 310/89
See application file for complete search history.

(56) **References Cited**

U.S. PATENT DOCUMENTS

D205,845 S * 9/1966 Parriott D13/162
D284,577 S * 7/1986 DuBose D15/28
D416,227 S * 11/1999 Egan D13/122

D486,161 S * 2/2004 Greene D15/28
D491,666 S * 6/2004 Kimmell et al. D24/170
D493,520 S * 7/2004 Bertinetti et al. D24/110
D507,546 S * 7/2005 Fairfull D13/184
D564,450 S * 3/2008 Gravlin et al. D13/122
D567,175 S * 4/2008 Knuteson et al. D13/112
D573,534 S * 7/2008 Andersson et al. D13/122
D574,771 S * 8/2008 Flanigan D13/122

* cited by examiner

Primary Examiner—Stella M Reid

Assistant Examiner—Mark A Goodwin

(74) *Attorney, Agent, or Firm*—Schwabe, Williamson &
Wyatt, P.C.

(57) **CLAIM**

The ornamental design for a shell of a vehicle auxiliary power
generation system, as shown and described.

DESCRIPTION

FIG. 1 is a perspective view of a shell of a vehicle auxiliary
power generation system of the present design;

FIG. 2 is a front view thereof;

FIG. 3 is a left side view thereof;

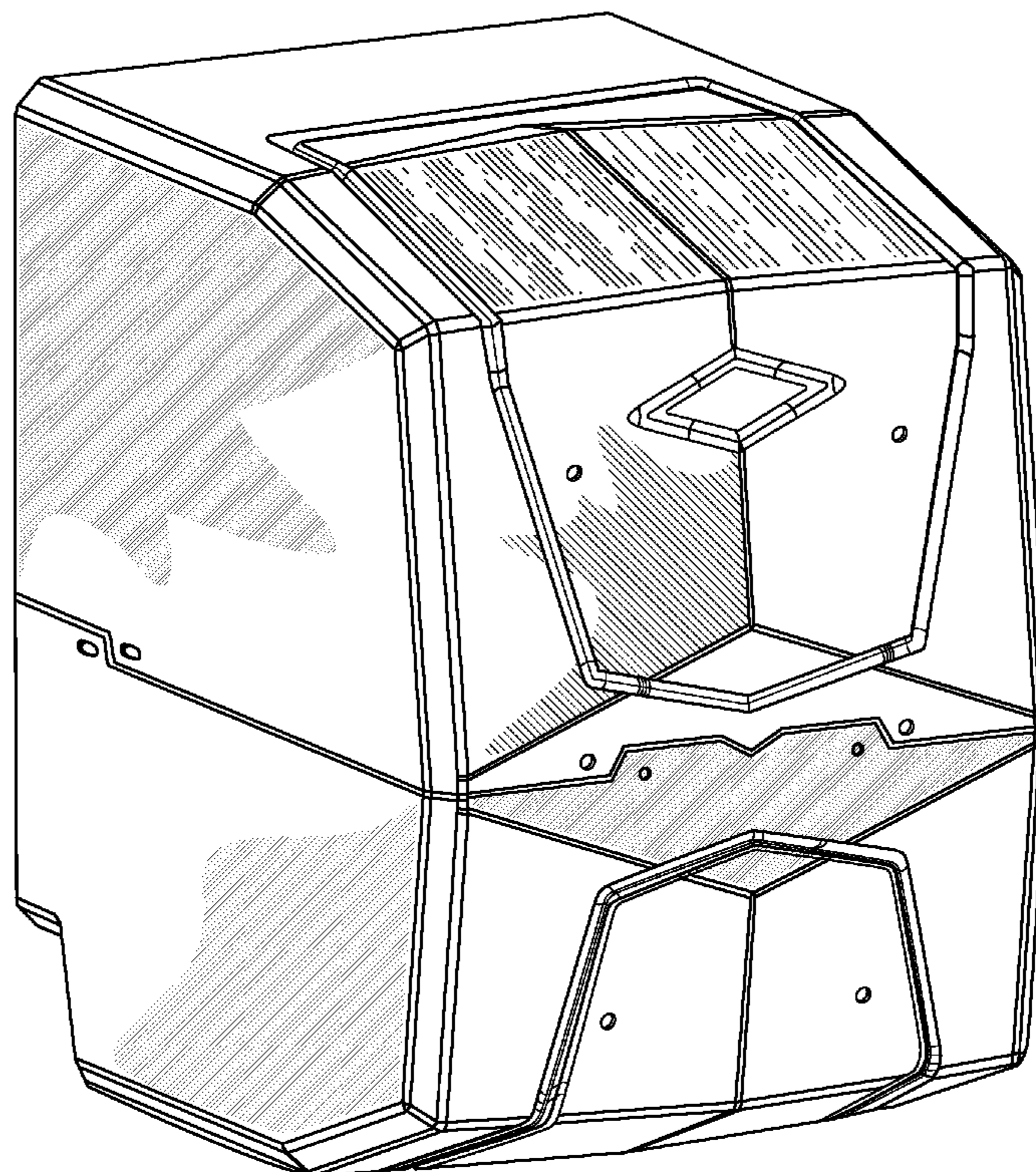
FIG. 4 is a right side view thereof;

FIG. 5 is a top view thereof; and,

FIG. 6 is a bottom view thereof.

The rear view forms no part of the claimed design.

1 Claim, 6 Drawing Sheets



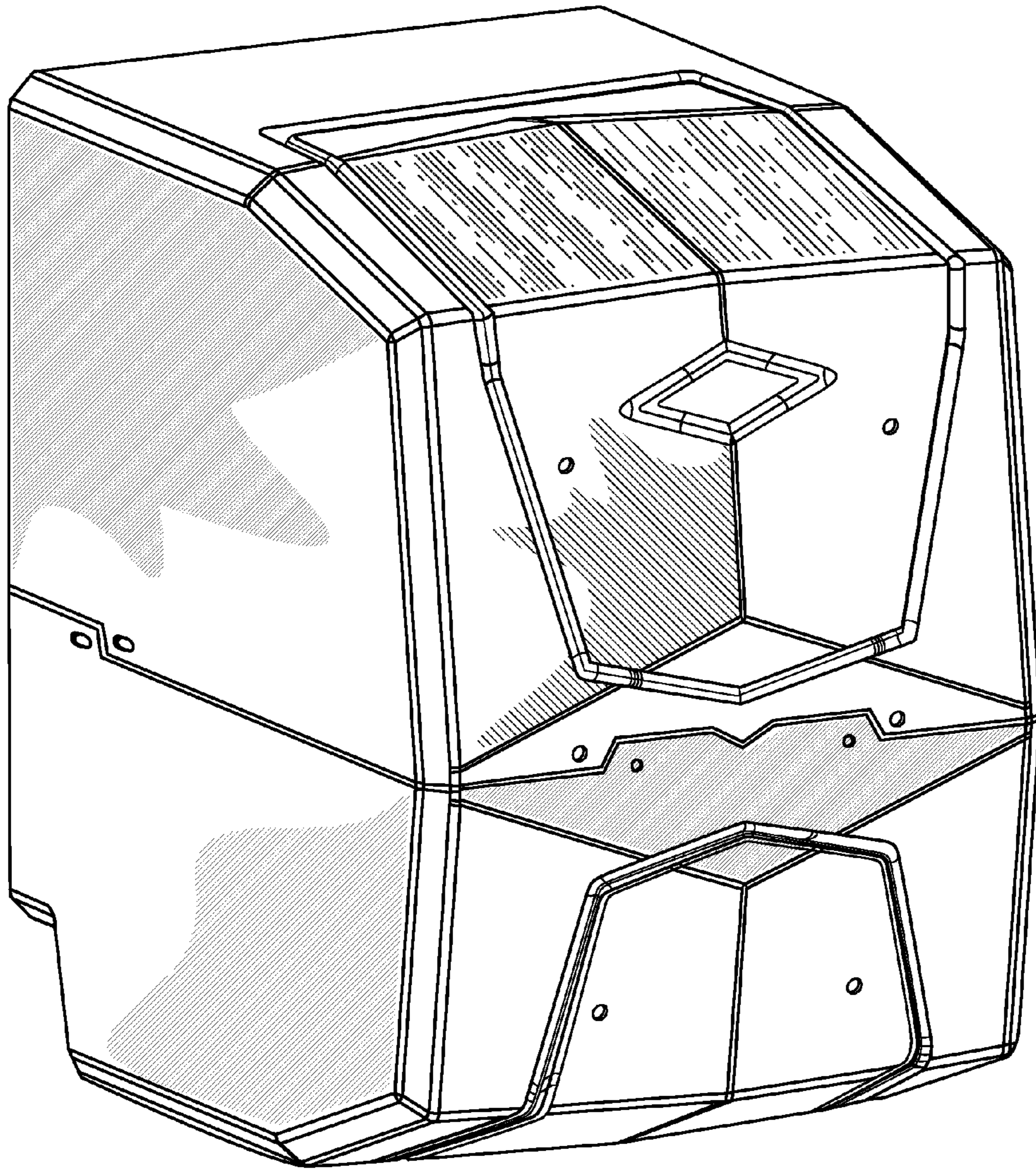


FIG. 1

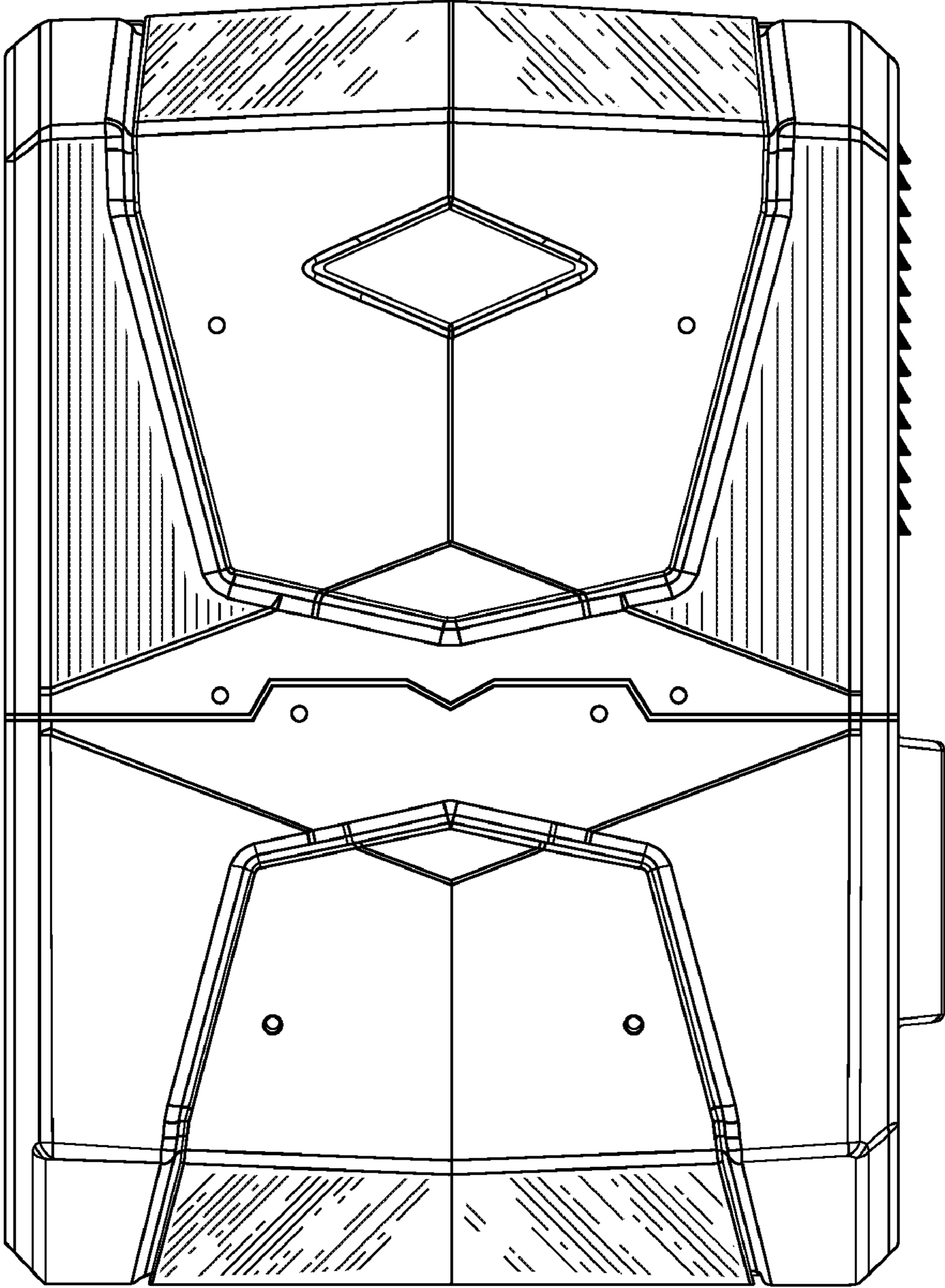


FIG. 2

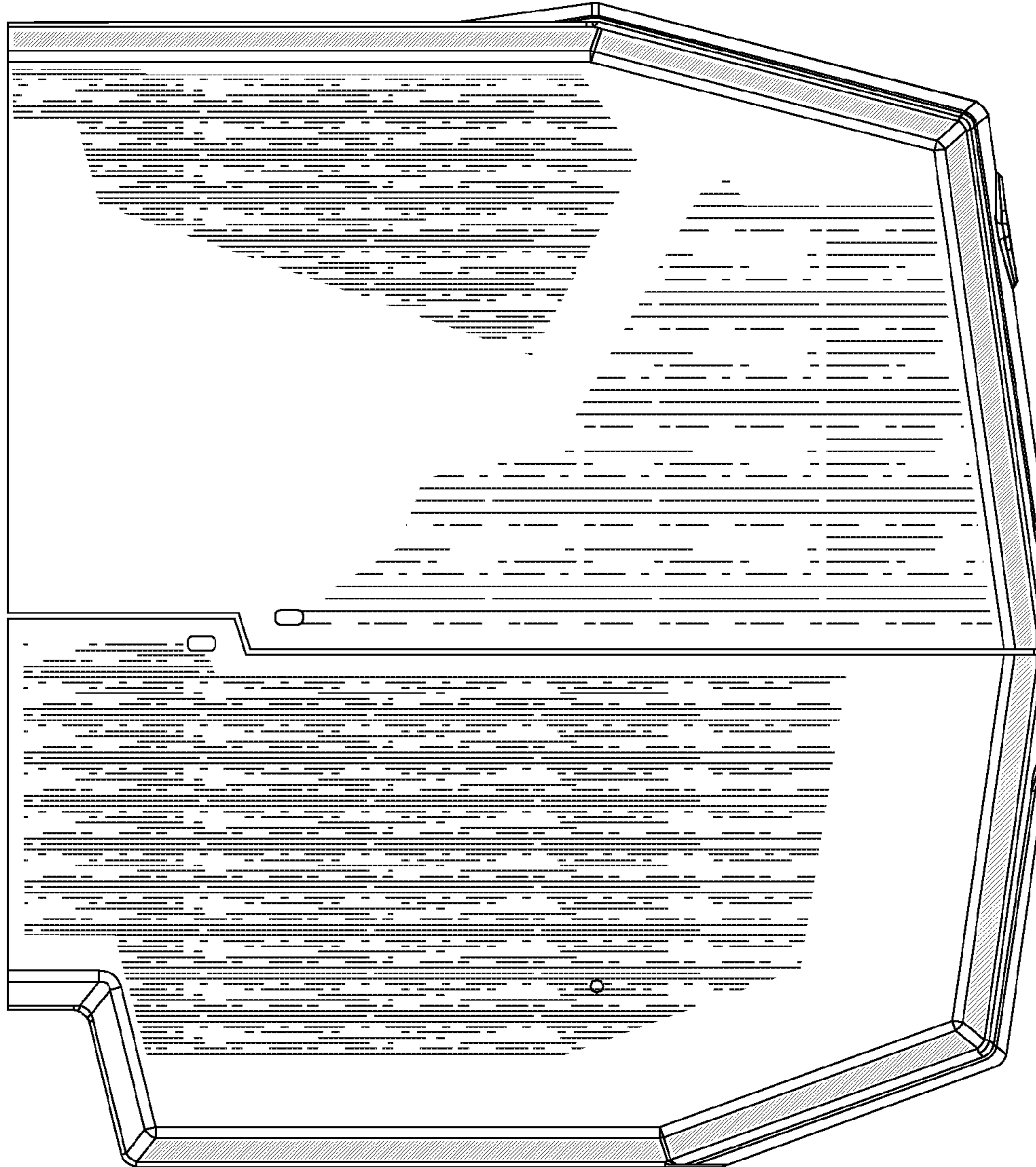


FIG. 3

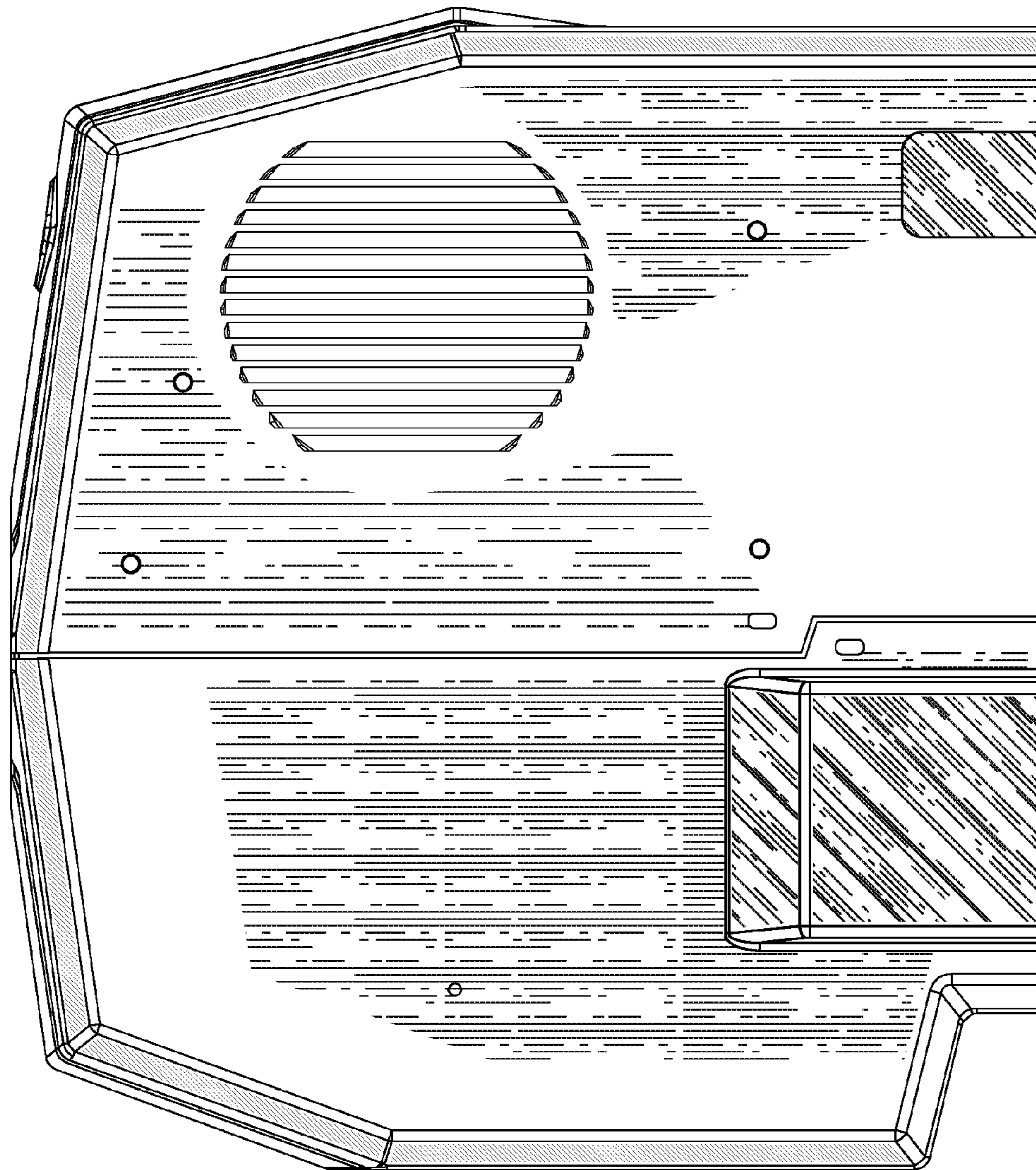


FIG. 4

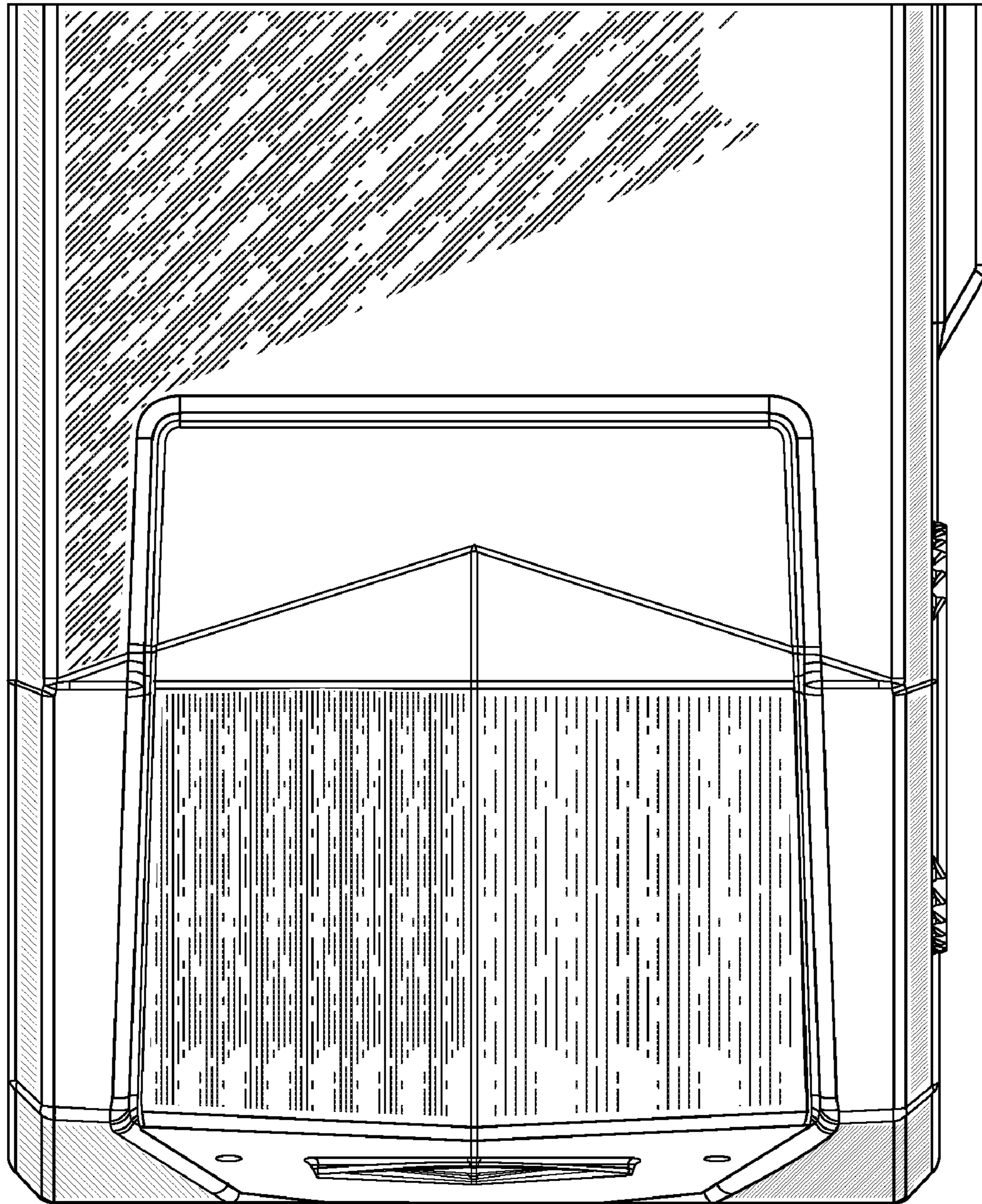


FIG. 5

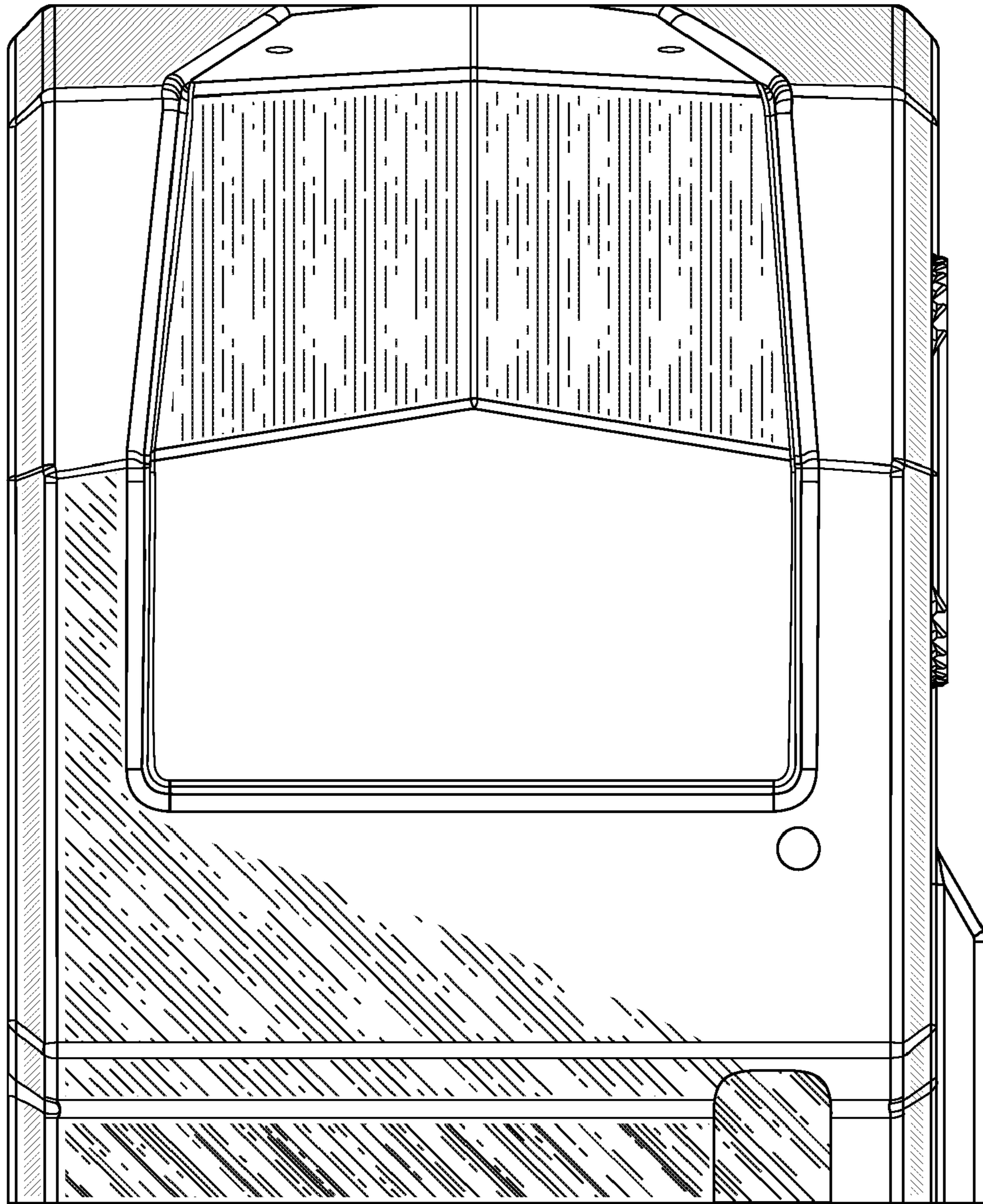


FIG. 6