



US00D588059S

(12) **United States Design Patent**
Fujita et al.

(10) **Patent No.:** **US D588,059 S**
(45) **Date of Patent:** **** Mar. 10, 2009**

(54) **CHARGING UNIT FOR ROBOT**

(75) Inventors: **Yoshihiro Fujita**, Tokyo (JP); **Manabu Tominaga**, Tokyo (JP)

(73) Assignee: **NEC Corporation**, Tokyo (JP)

(**) Term: **14 Years**

(21) Appl. No.: **29/318,828**

(22) Filed: **May 29, 2008**

(30) **Foreign Application Priority Data**

Dec. 5, 2007 (JP) 2007-033427

(51) **LOC (9) Cl.** **13-02**

(52) **U.S. Cl.** **D13/108**

(58) **Field of Classification Search** D13/107-110,
D13/118-119, 184; D14/251, 253, 432,
D14/434; 320/107-115

See application file for complete search history.

(56) **References Cited**

U.S. PATENT DOCUMENTS

D289,997 S *	5/1987	Rakocy et al.	D13/108
D414,459 S *	9/1999	Oba	D13/107
D428,007 S *	7/2000	Yamamoto et al.	D14/356
D474,735 S *	5/2003	Lee	D13/108
D540,328 S *	4/2007	Hussaini et al.	D14/434
D551,617 S *	9/2007	Houghton	D13/108
D552,688 S *	10/2007	Hussaini et al.	D21/333
D561,182 S *	2/2008	Jenkins et al.	D14/253
D568,327 S *	5/2008	Fitch et al.	D14/453
D568,808 S *	5/2008	Hamasaki	D13/108

* cited by examiner

Primary Examiner—Jennifer Rivard

Assistant Examiner—Rosemary K Tarcza

(74) *Attorney, Agent, or Firm*—Seyfarth Shaw LLP

(57) **CLAIM**

The ornamental design for the charging unit for robot, as shown and described.

DESCRIPTION

FIG. 1 is a front perspective view of the charging unit for robot showing our new design;

FIG. 2 is a rear perspective view thereof

FIG. 3 is a front elevational view thereof;

FIG. 4 is a rear elevational view thereof;

FIG. 5 is a left-side elevational view of thereof;

FIG. 6 is a right-side elevational view thereof;

FIG. 7 is a top plan view thereof;

FIG. 8 is a bottom plan view thereof;

FIG. 9 is view like FIG. 1 showing the charging unit in use; and,

FIG. 10 is view like FIG. 2, but showing the charging unit in use.

The dashed portions of FIGS. 9 and 10 form no part of the claimed design.

The broken lines shown are included for the purpose of illustrating environmental structure and form no part of the claimed design.

1 Claim, 5 Drawing Sheets

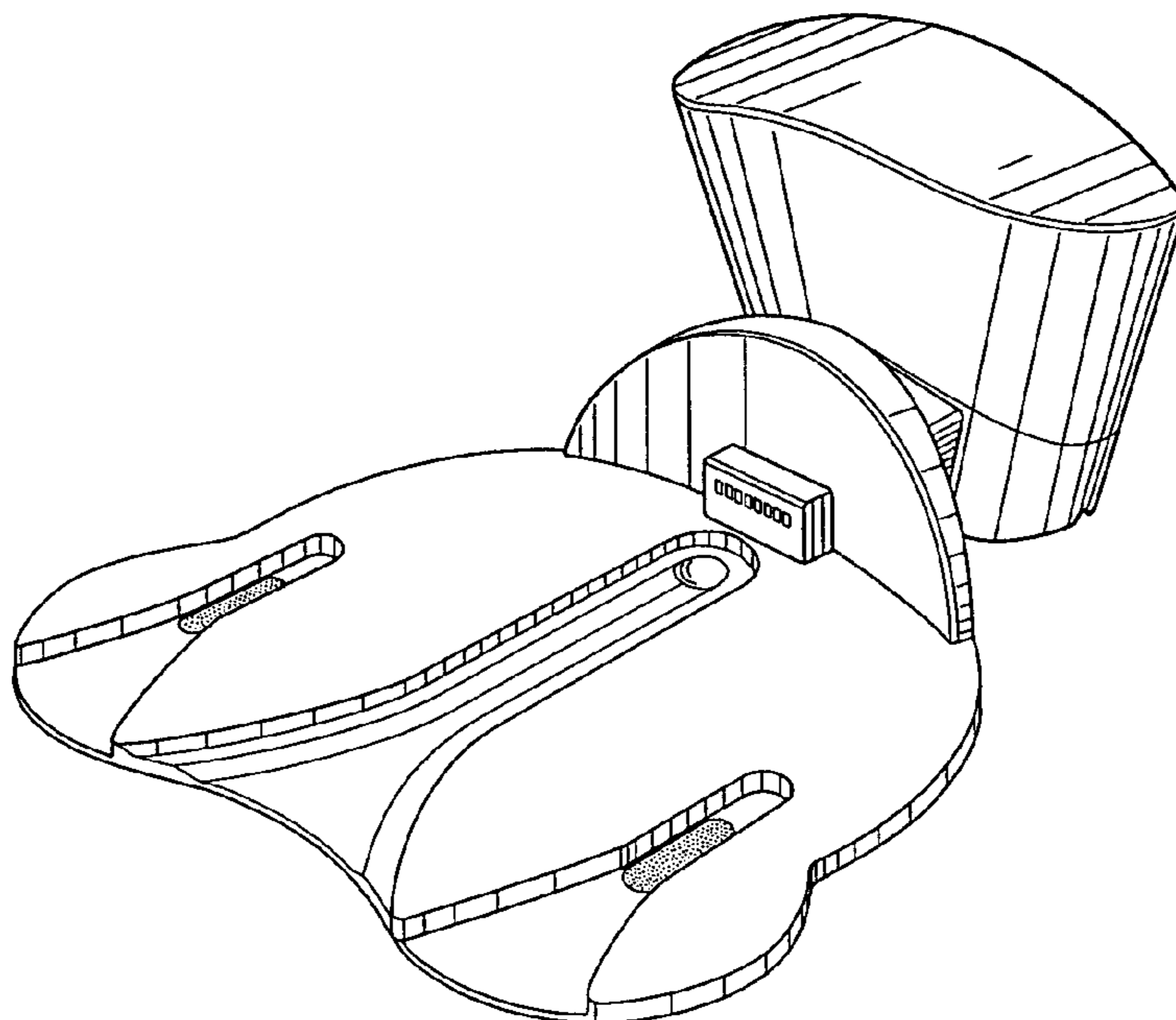


Fig. 1

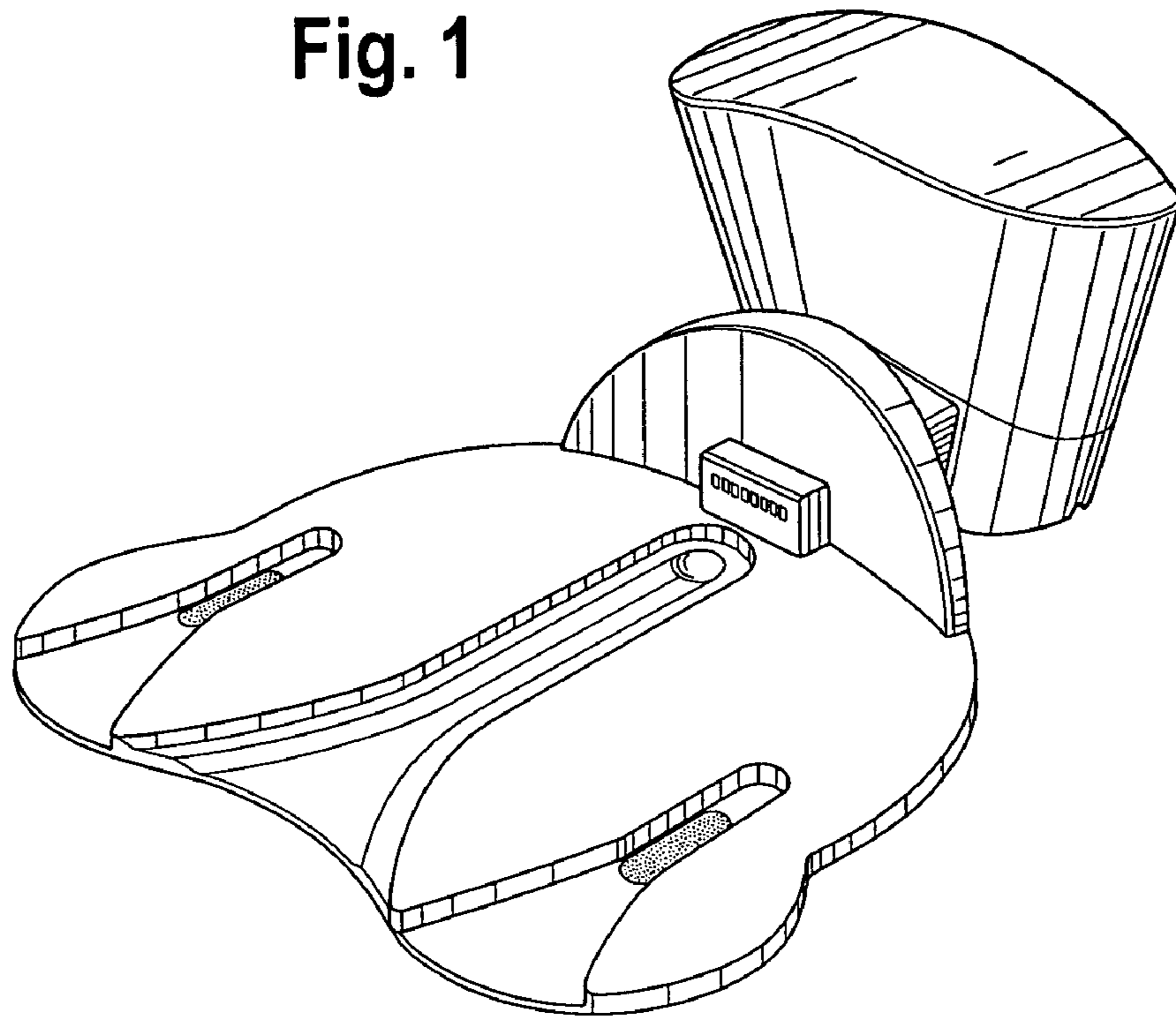


Fig. 2

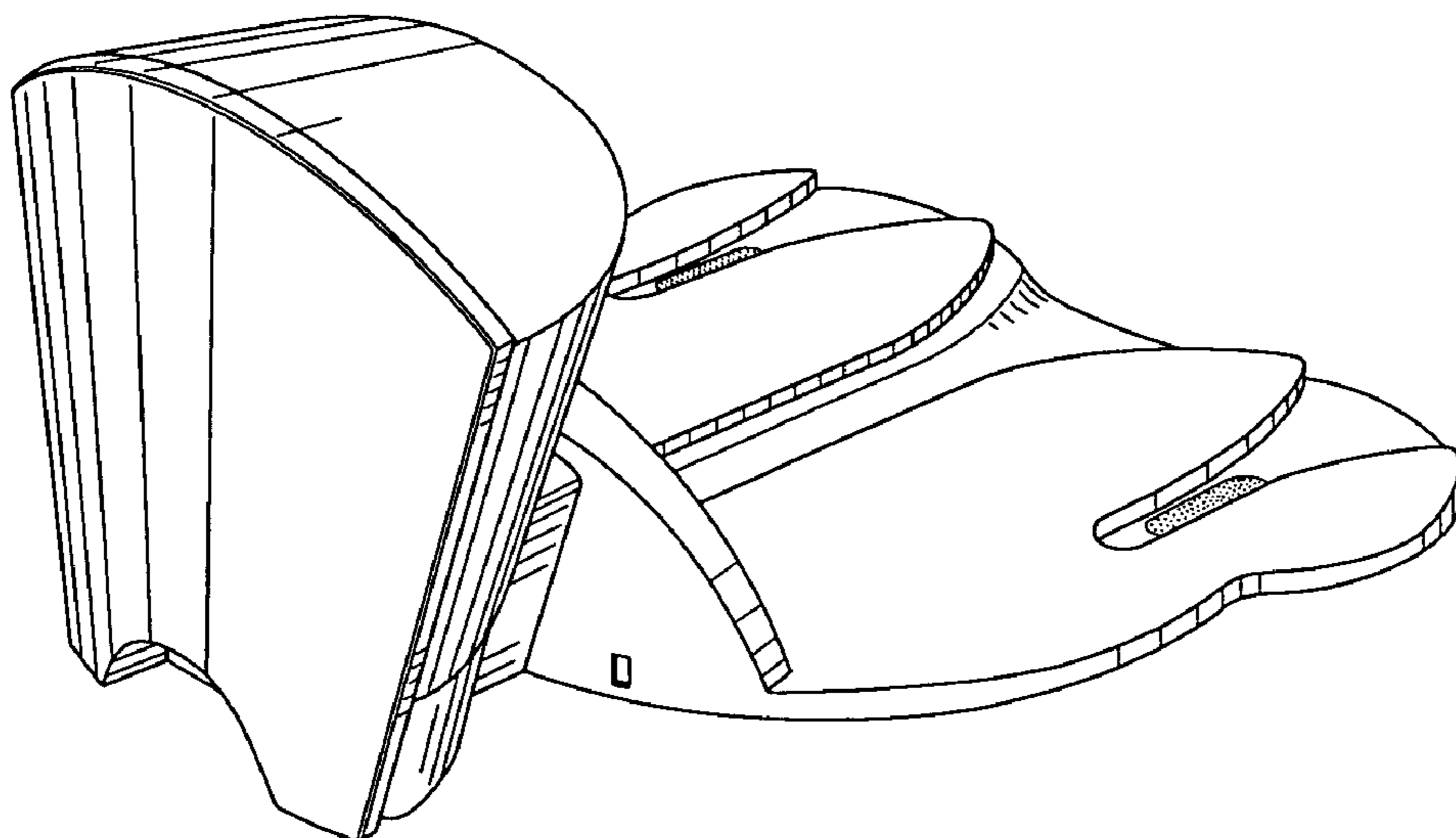


Fig. 3

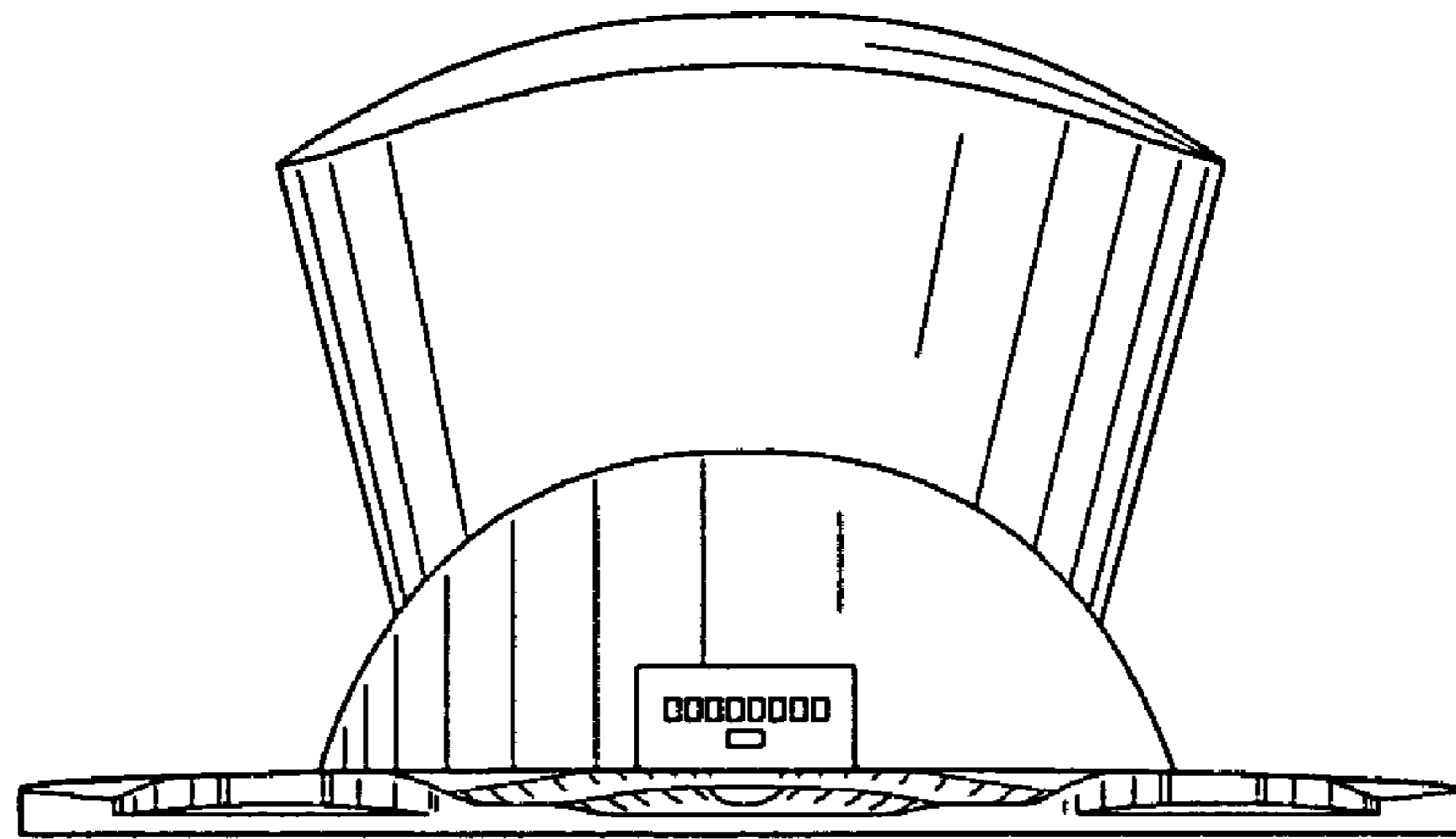


Fig. 4

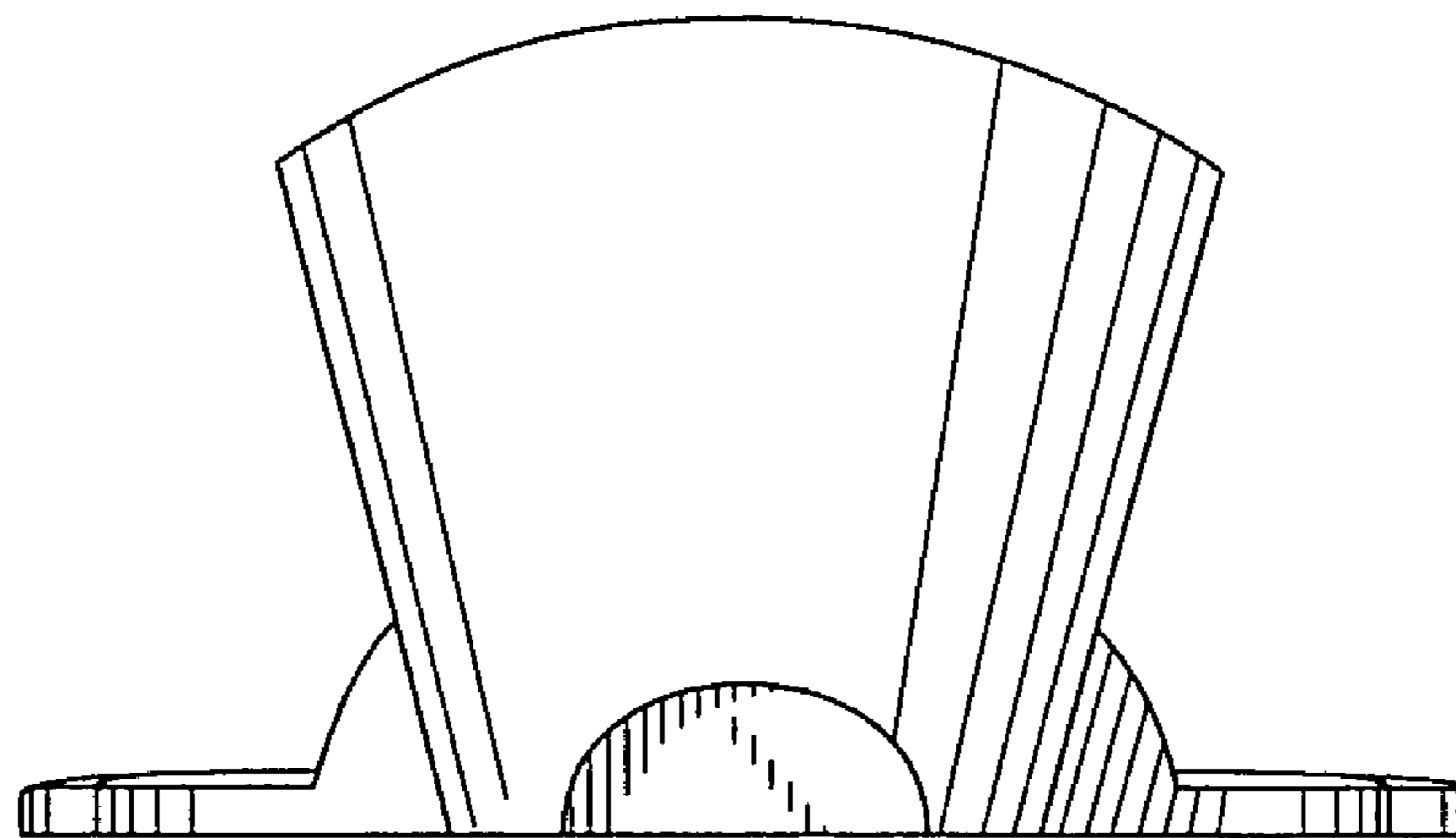


Fig. 5

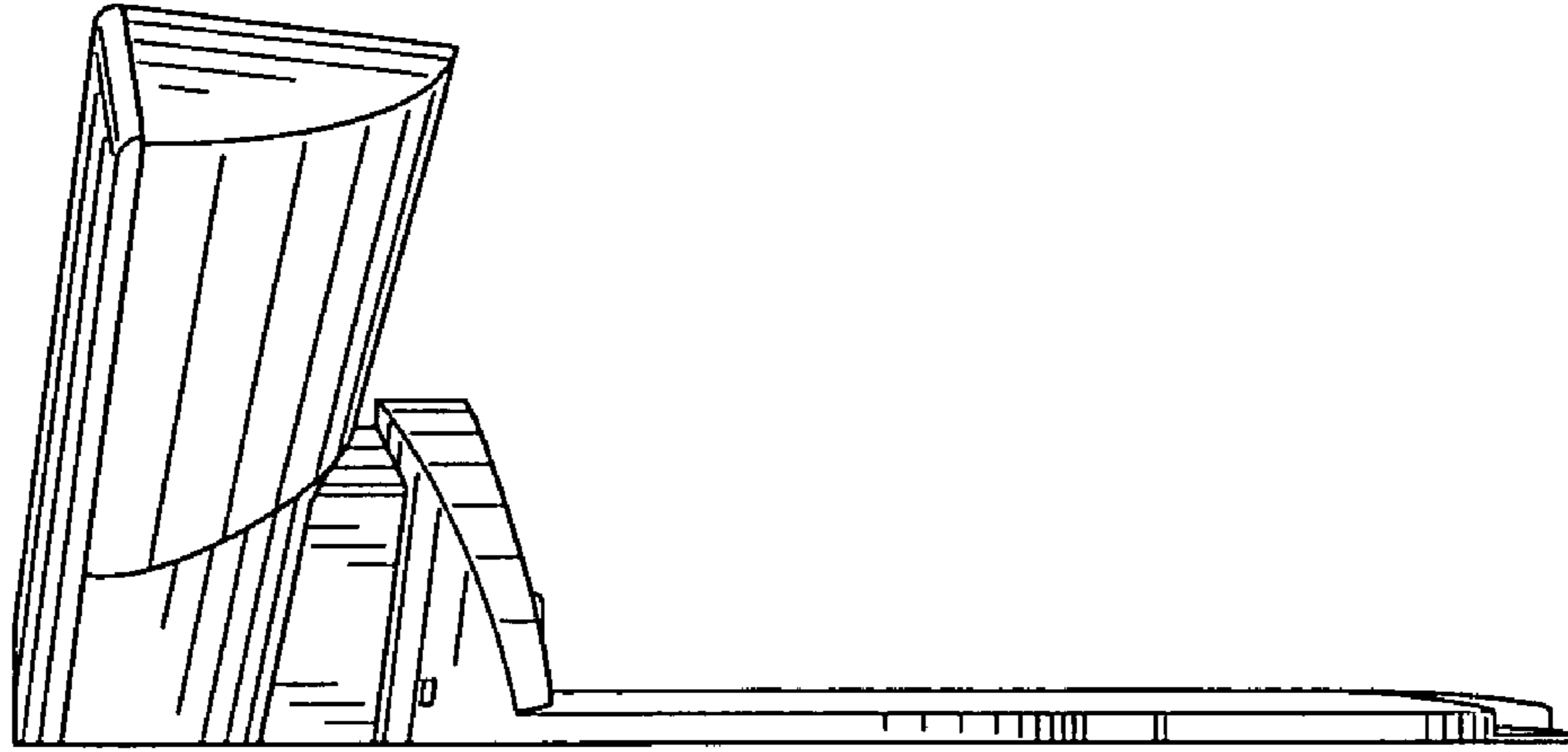


Fig. 6

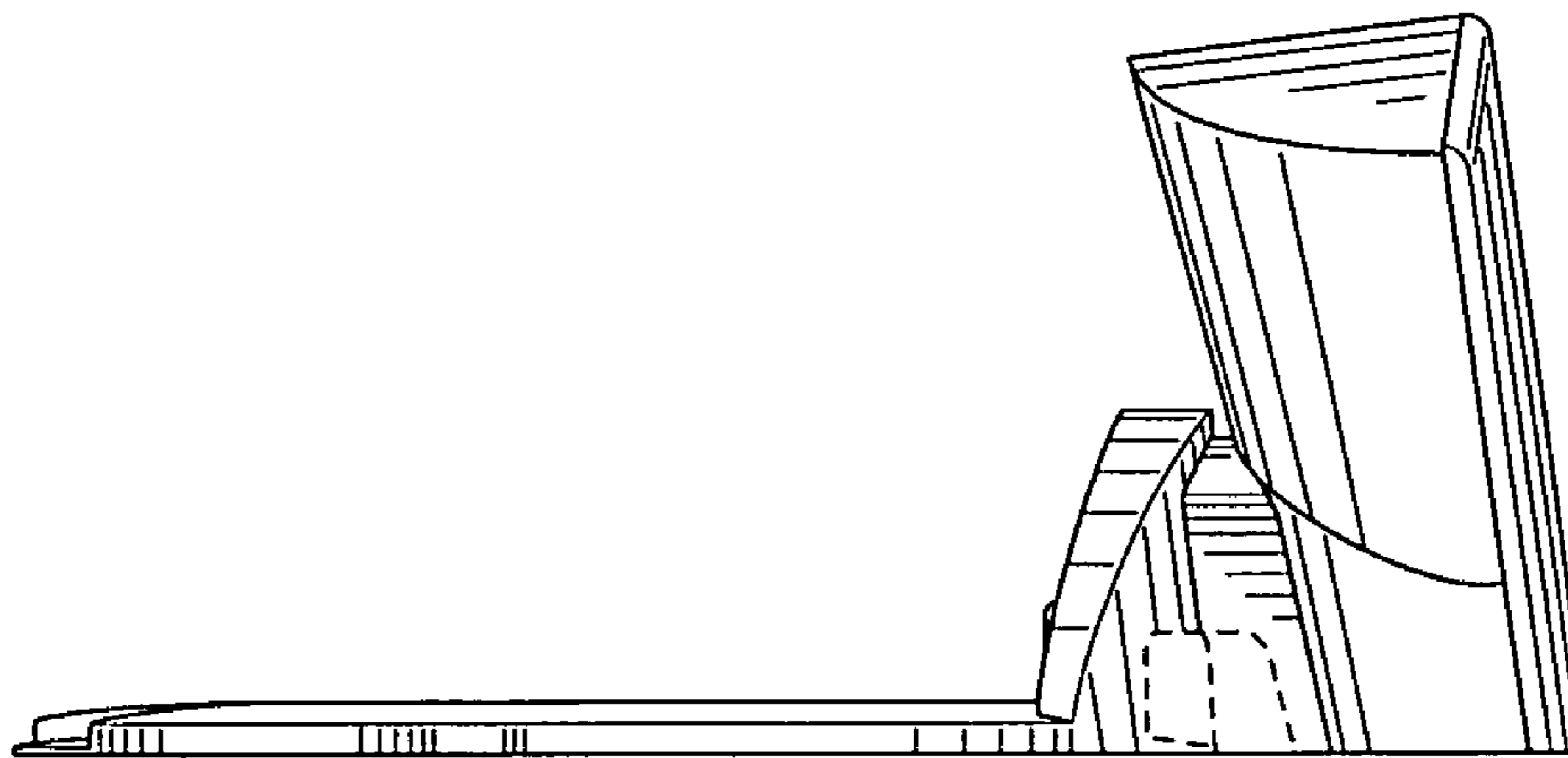


Fig. 7

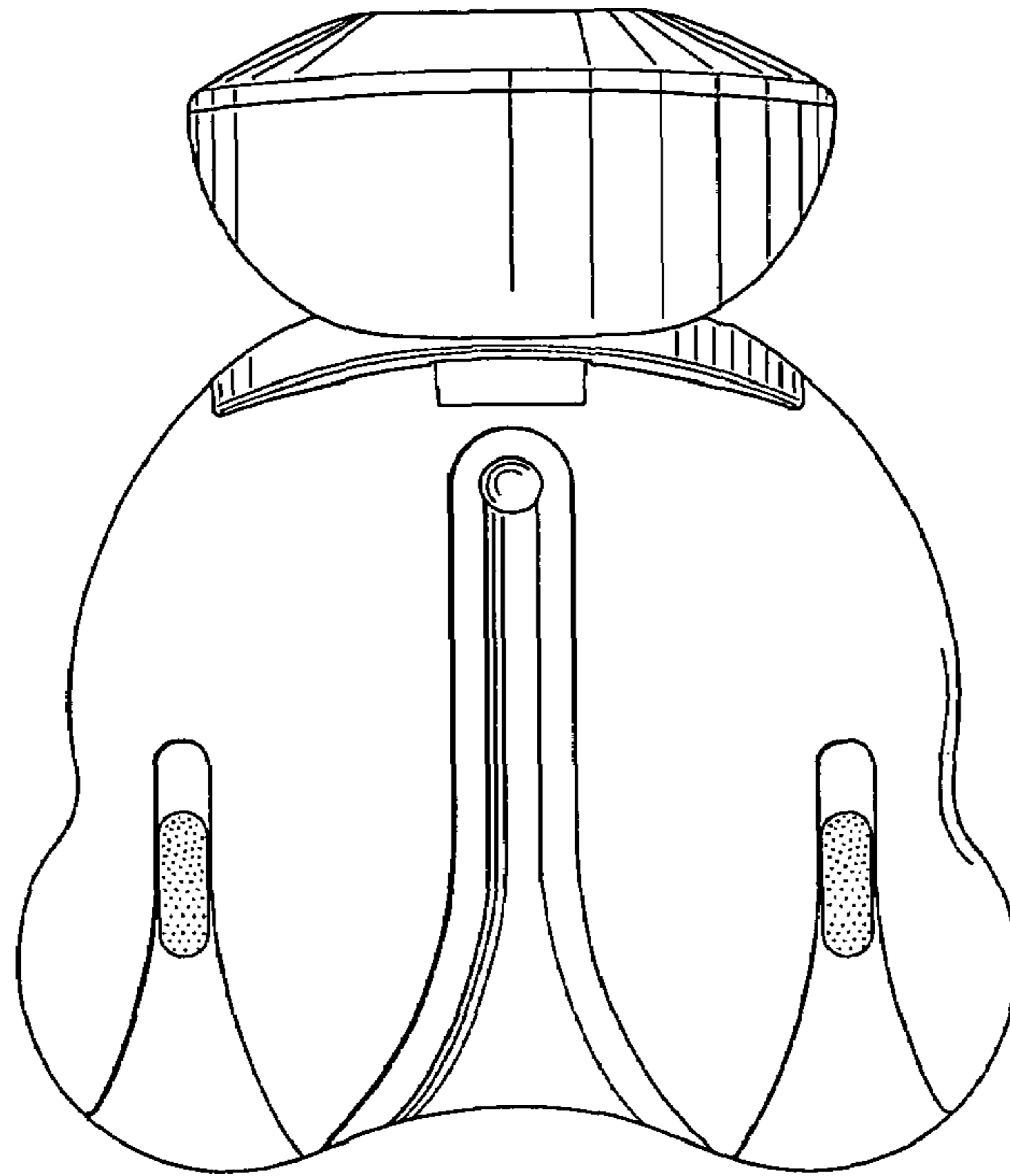


Fig. 8

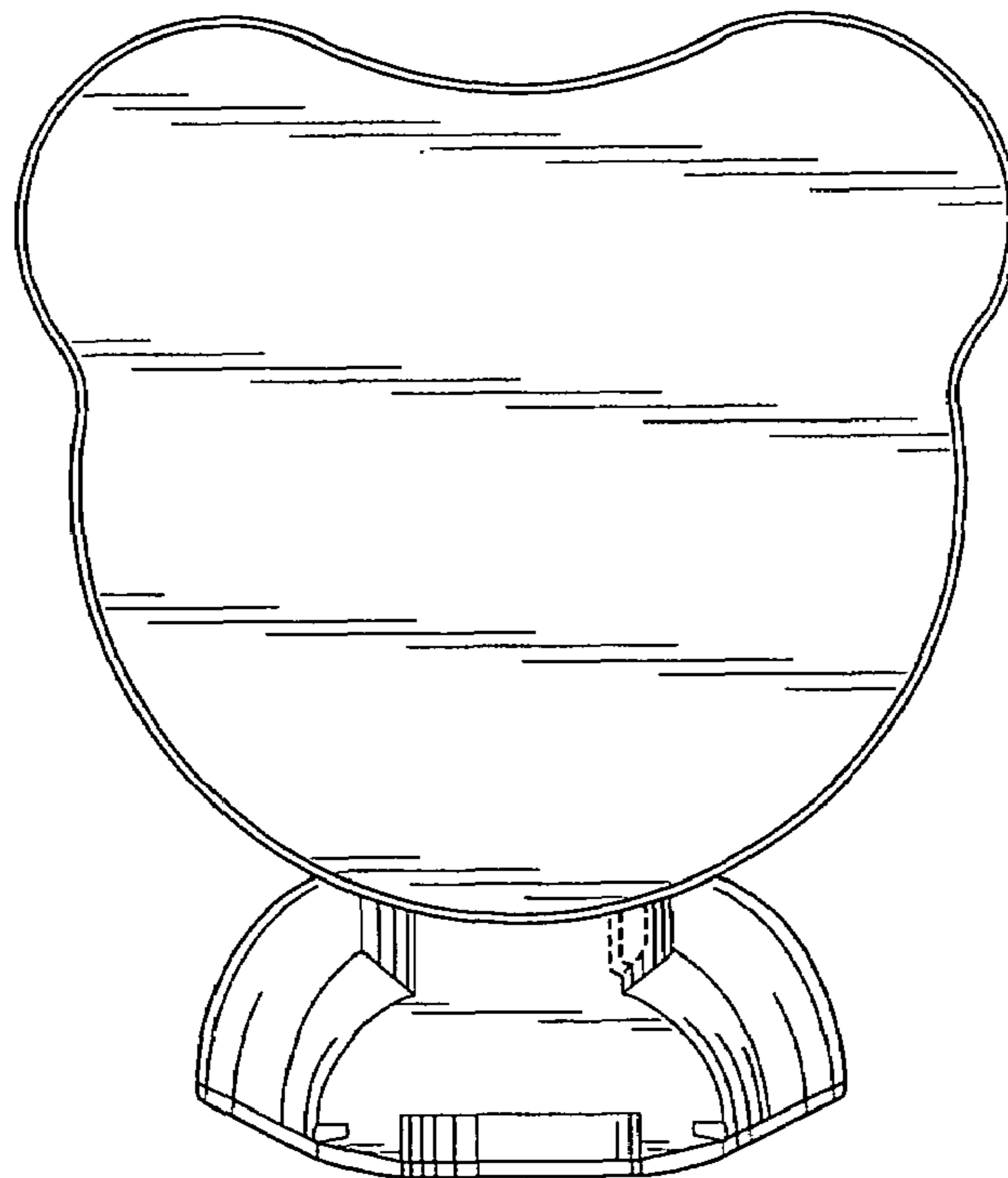


Fig. 9

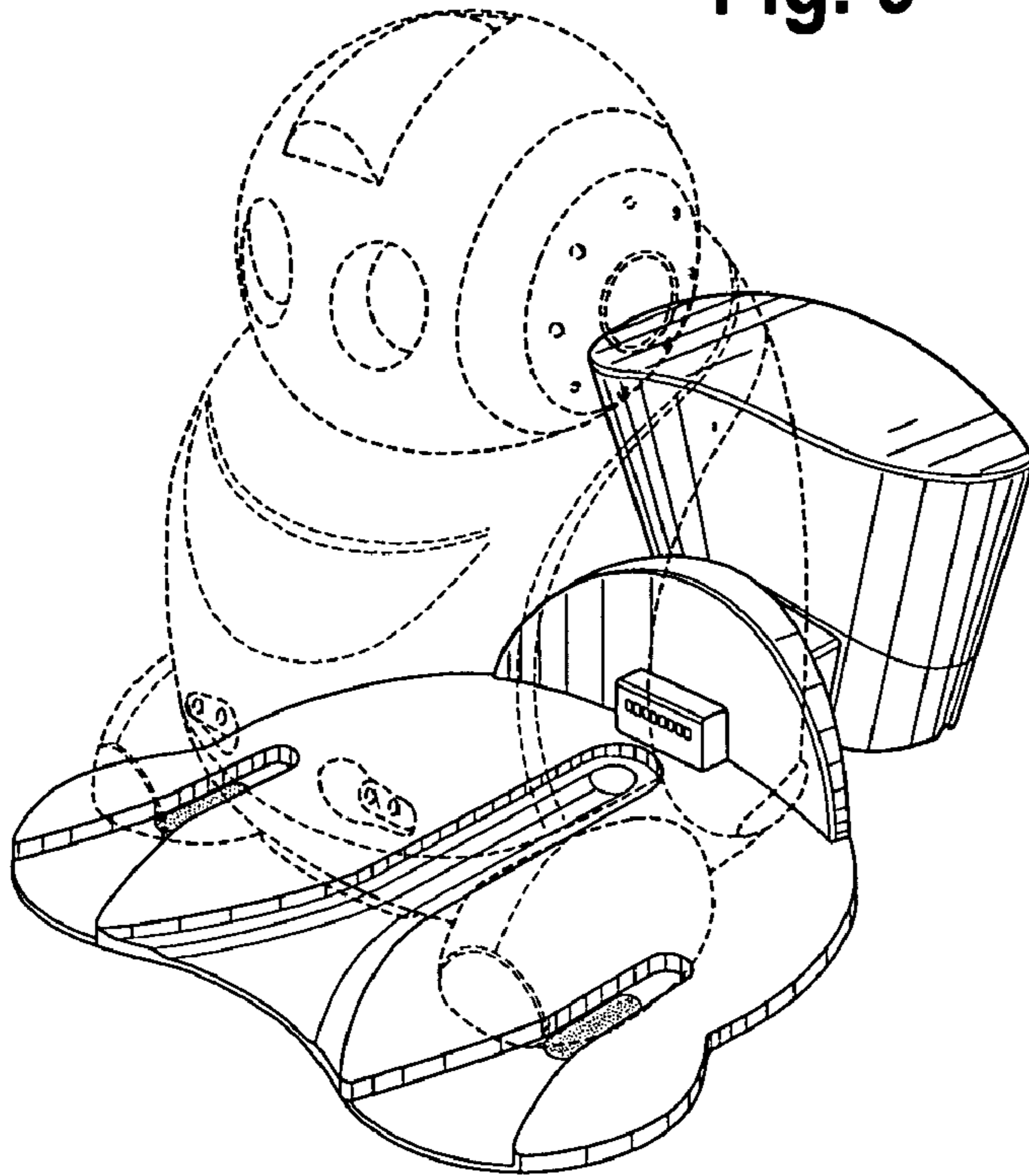


Fig. 10

