



US00D588058S

(12) **United States Design Patent**
Obata

(10) **Patent No.:** **US D588,058 S**

(45) **Date of Patent:** **** Mar. 10, 2009**

(54) **BATTERY**

(75) Inventor: **Shinichi Obata**, Tokyo (JP)

(73) Assignee: **Sony Corporation**, Tokyo (JP)

(**) Term: **14 Years**

(21) Appl. No.: **29/292,823**

(22) Filed: **Oct. 30, 2007**

(30) **Foreign Application Priority Data**

Jun. 29, 2007 (JP) D2007-017497

(51) **LOC (9) Cl.** **13-02**

(52) **U.S. Cl.** **D13/103**

(58) **Field of Classification Search** D13/102-106,
D13/110, 118-119, 184; 429/96-100, 163,
429/176

See application file for complete search history.

(56) **References Cited**

U.S. PATENT DOCUMENTS

D356,776 S	3/1995	Yoshii	
5,415,947 A	5/1995	Mitsui et al.	
D362,424 S	9/1995	Sumita et al.	
D377,477 S *	1/1997	Harata et al.	D13/103
5,626,979 A *	5/1997	Mitsui et al.	429/97
D403,656 S *	1/1999	Ichikawa	D13/103
D417,187 S	11/1999	Maeyama	
D417,188 S *	11/1999	Maeyama	D13/103
D428,384 S *	7/2000	Maeyama	D13/103
D432,982 S *	10/2000	Miyashita	D13/103
D446,183 S *	8/2001	Miyashita	D13/103

6,521,370 B1 *	2/2003	Takeshita et al.	429/96
D503,922 S *	4/2005	Shimizu	D13/103
D512,018 S *	11/2005	Matsuda et al.	D13/103
D568,807 S *	5/2008	Suzuki et al.	D13/103
2006/0057461 A1 *	3/2006	Hamada et al.	429/181

FOREIGN PATENT DOCUMENTS

KR 30-0144873 10/1999

* cited by examiner

Primary Examiner—Jennifer Rivard

Assistant Examiner—Rosemary K Tarcza

(74) *Attorney, Agent, or Firm*—Rader, Fishman & Grauer, PLLC

(57) **CLAIM**

The ornamental design for a battery, as shown and described.

DESCRIPTION

FIG. 1 is a perspective view of a battery showing my new design;

FIG. 2 is a front elevational view thereof;

FIG. 3 is a rear elevational view thereof;

FIG. 4 is a left side elevational view thereof;

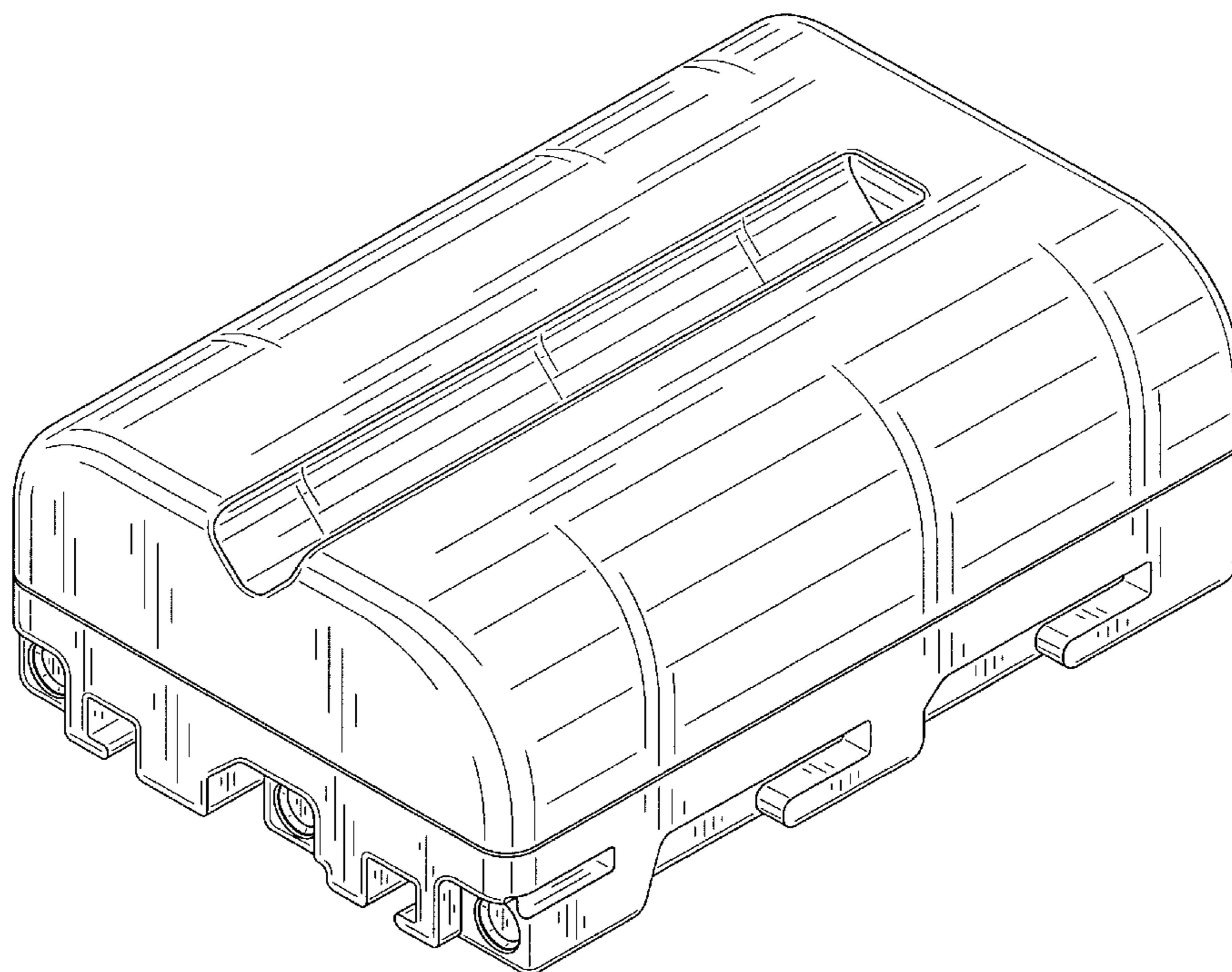
FIG. 5 is a right side elevational view thereof;

FIG. 6 is a top plan view thereof; and,

FIG. 7 is a bottom plan view thereof.

The broken lines shown are included for the purpose of illustrating environmental structure and form no part of the claimed design.

1 Claim, 7 Drawing Sheets



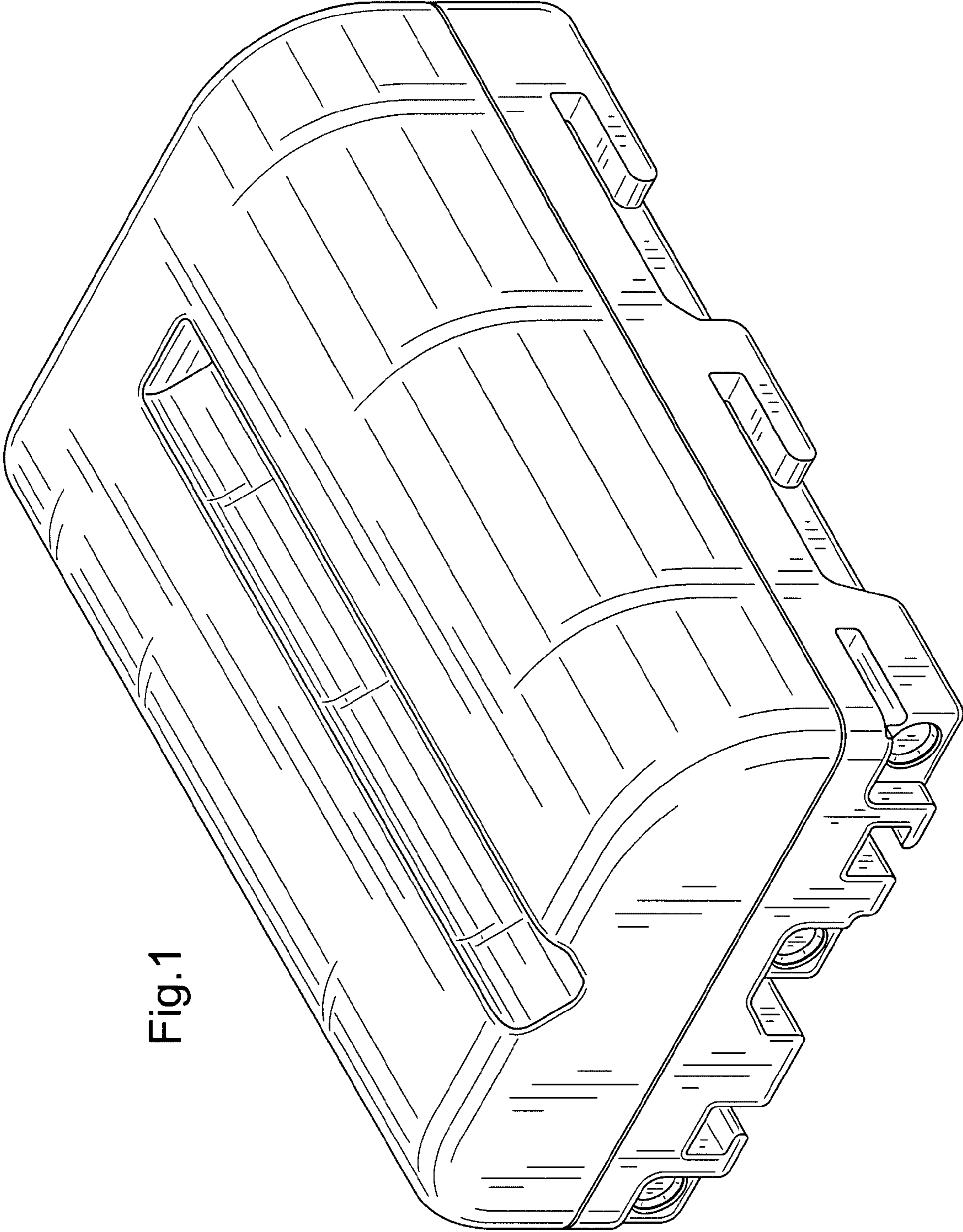


Fig.1

Fig.2

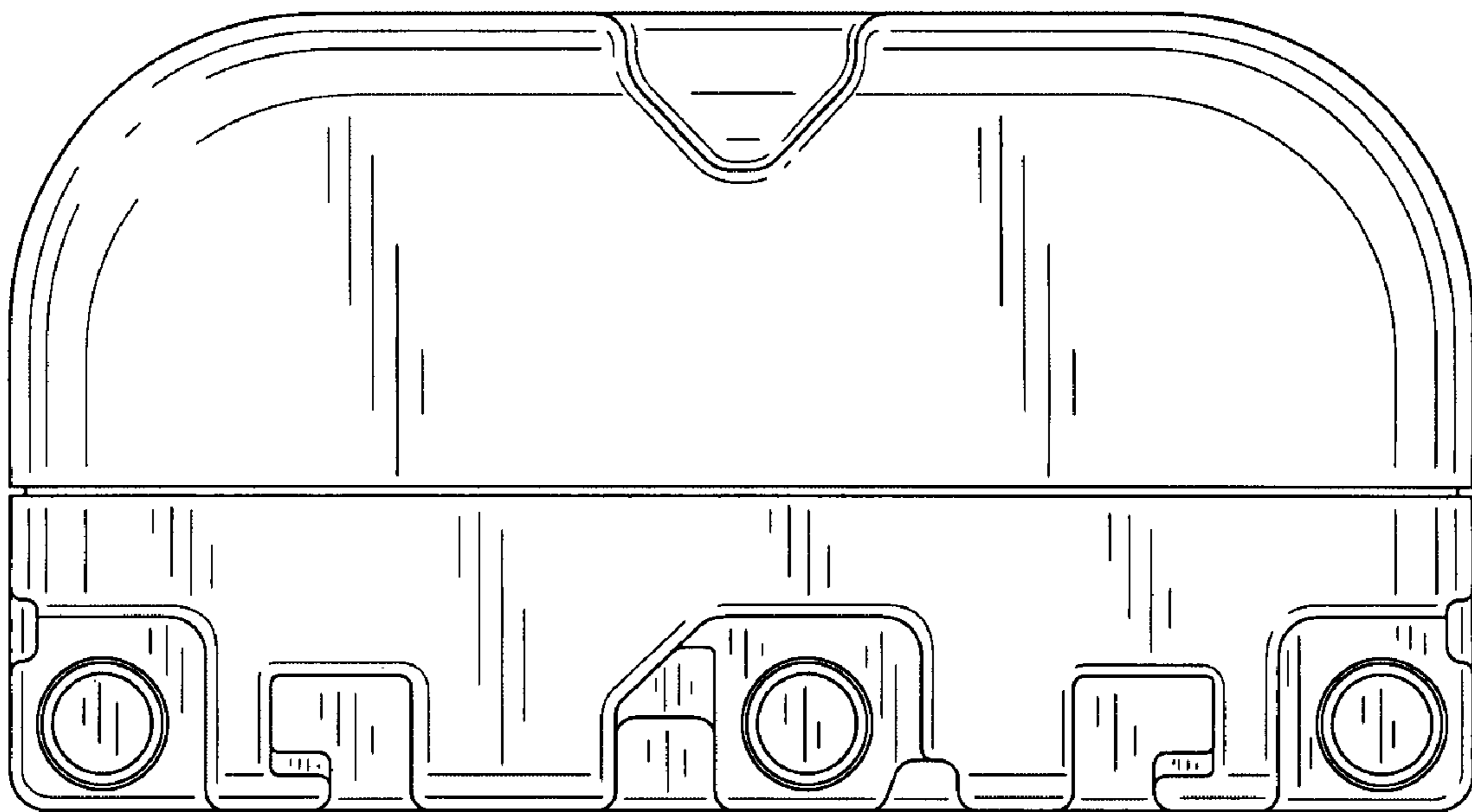


Fig.3

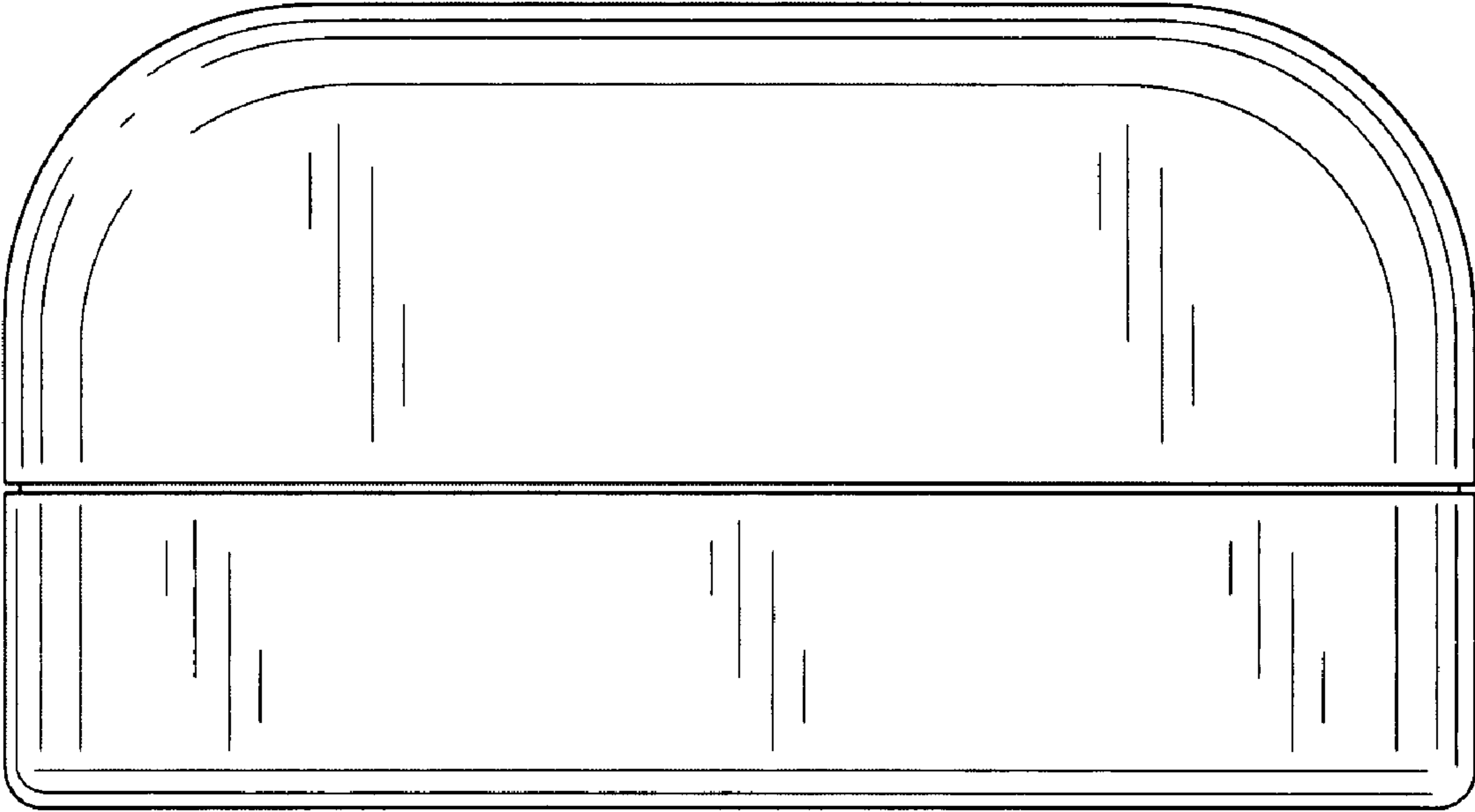


Fig.4

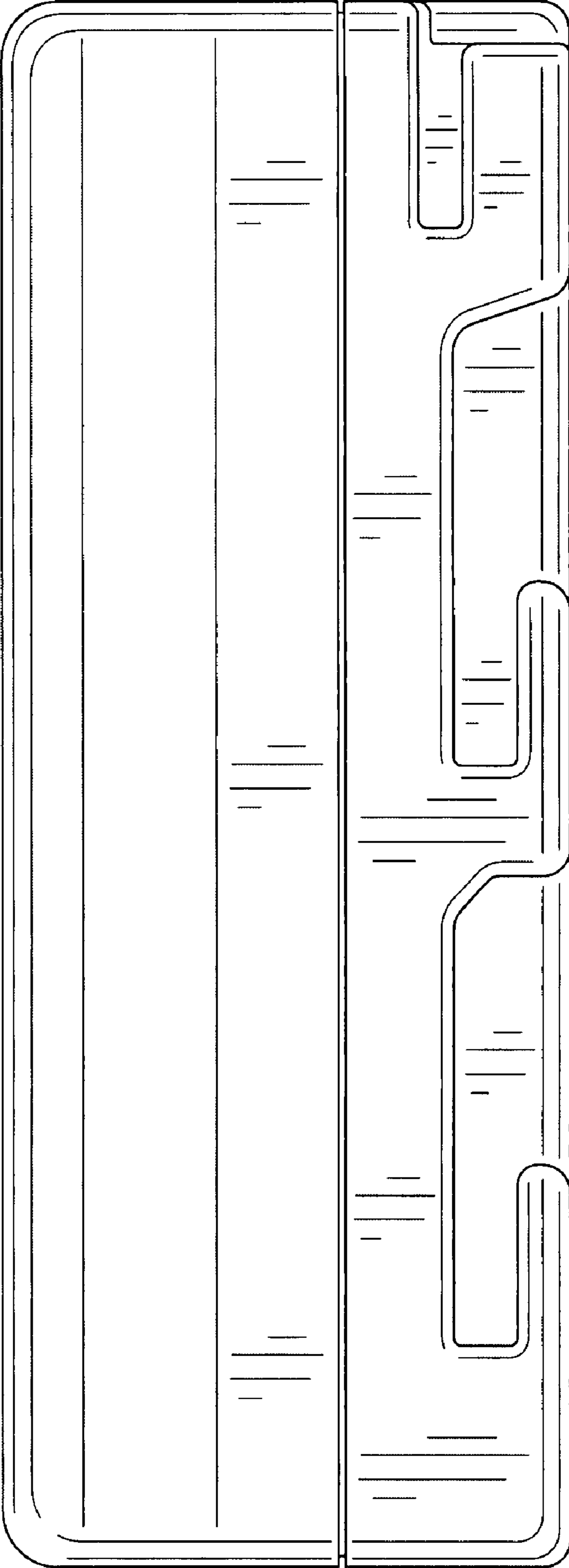


Fig.5

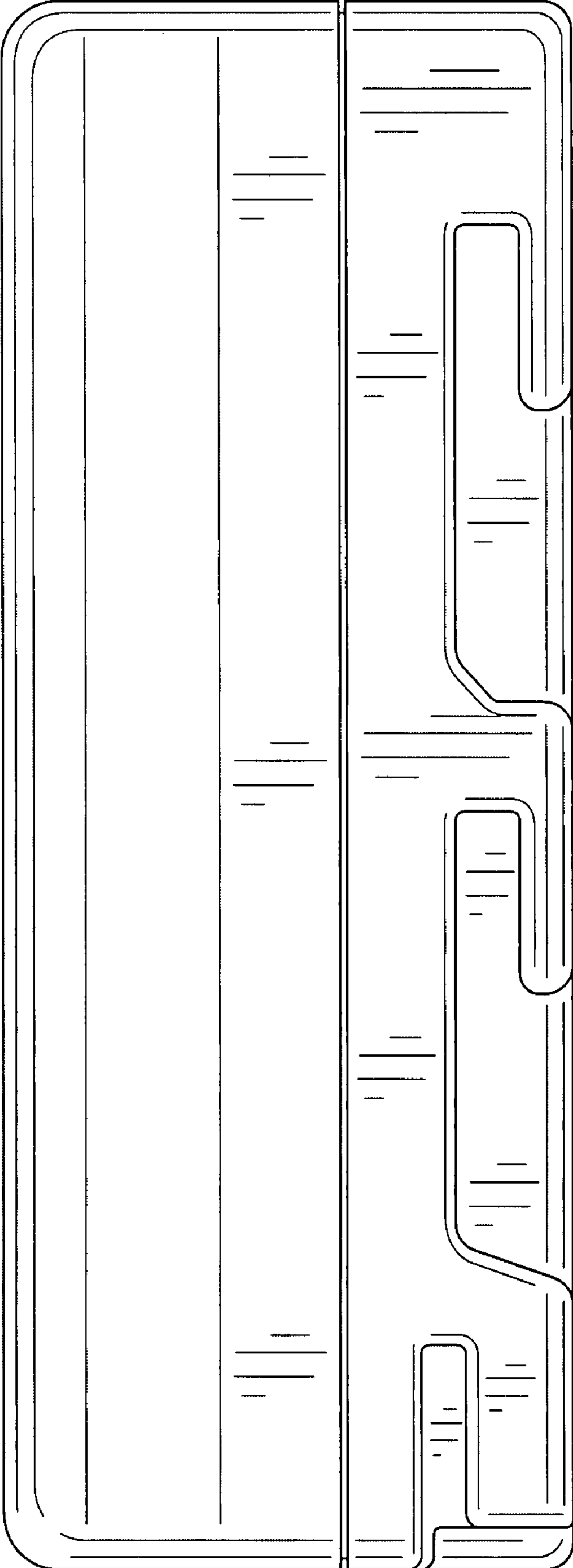


Fig.6

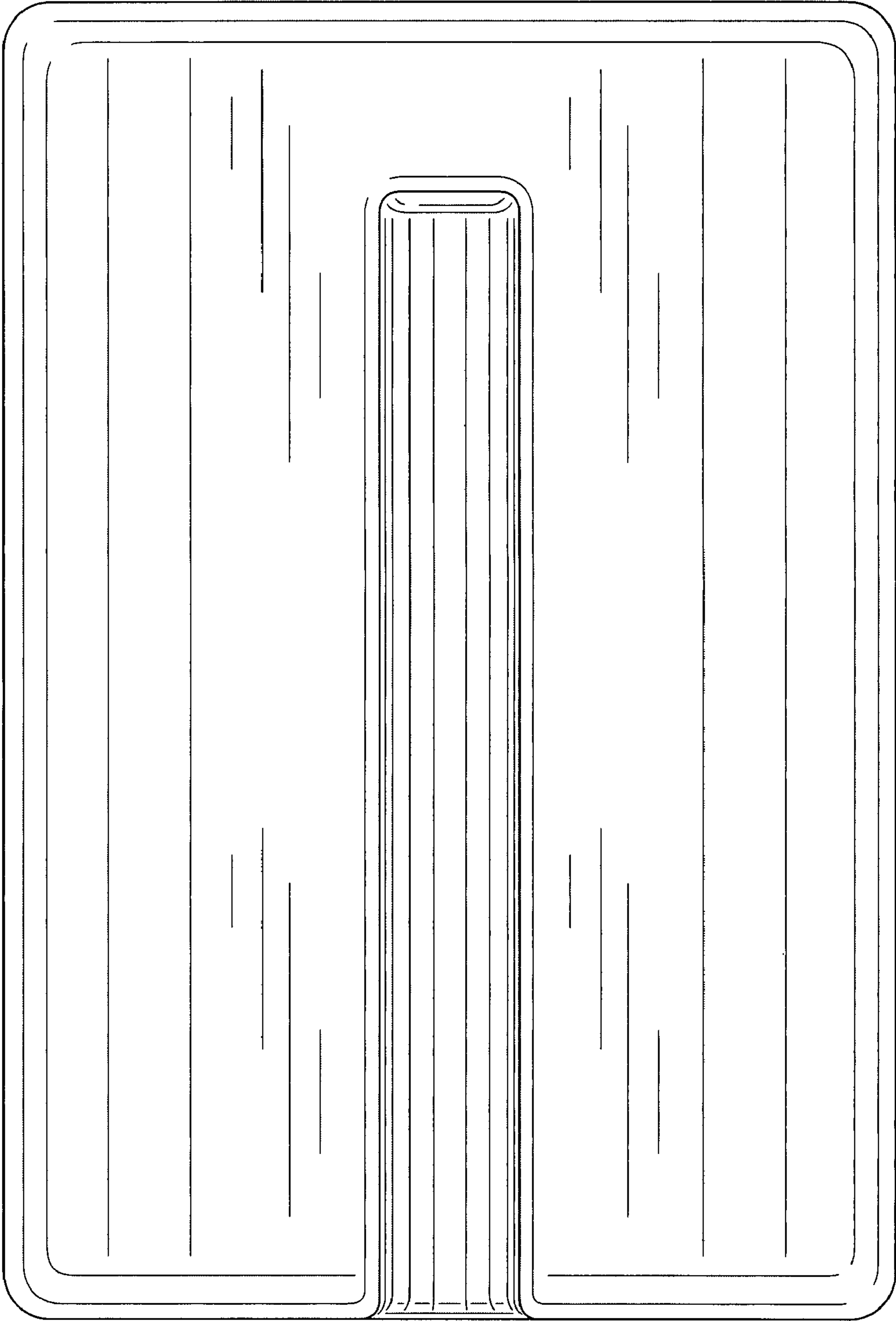


Fig.7

