



US00D588055S

(12) **United States Design Patent**
Moya

(10) **Patent No.:** **US D588,055 S**
(45) **Date of Patent:** **** Mar. 10, 2009**

(54) **FUEL TANK ANTI-THEFT DEVICE**

(76) Inventor: **P. Joseph Moya**, 217 Hillman St., Belen,
NM (US) 87002

(**) Term: **14 Years**

(21) Appl. No.: **29/309,571**

(22) Filed: **Sep. 5, 2008**

(51) **LOC (9) Cl.** **12-16**

(52) **U.S. Cl.** **D12/400**

(58) **Field of Classification Search** D12/400,
D12/193, 153, 197, 199, 201; D6/300-303,
D6/310-314; 40/200-203, 207-216, 37.1;
D8/305, 397; D29/23 B; D2/250; D34/2 D;
D26/14 F

See application file for complete search history.

(56) **References Cited**

U.S. PATENT DOCUMENTS

1,931,342	A	10/1933	Broderick	
2,017,831	A *	10/1935	Grosseth	392/401
2,372,545	A	3/1945	Breedlove	
2,496,992	A *	2/1950	Glidden	220/86.3
D175,946	S *	11/1955	Hurley	D9/452
4,295,577	A	10/1981	Schmid et al.	
4,343,410	A *	8/1982	Lenda	220/86.1
D275,984	S *	10/1984	Shaw	D23/260
5,025,946	A	6/1991	Butkovich et al.	
D404,074	S *	1/1999	Sarriugarte et al.	D19/90

D420,809	S *	2/2000	Greene, II	D6/303
7,040,360	B2	5/2006	Watson	
D530,724	S *	10/2006	Chu	D15/9
D532,684	S *	11/2006	Barnes	D8/397

FOREIGN PATENT DOCUMENTS

DE 2360655 12/1975

* cited by examiner

Primary Examiner—Caron Veynar

Assistant Examiner—Katrina A Kile

(74) *Attorney, Agent, or Firm*—Stephen R. Greiner

(57) **CLAIM**

The ornamental design for a fuel tank anti-theft device, as shown and described.

DESCRIPTION

FIG. 1 is a perspective view of a fuel tank anti-theft device showing my new design;

FIG. 2 is a top view thereof;

FIG. 3 is a bottom view thereof;

FIG. 4 is a front elevational view thereof with the rear elevational view, the right side elevational view, and the left side elevational view being identical to the front elevational view; and,

FIG. 5 is an alternate elevational view the fuel tank anti-theft device being rotated 45° from the orientation shown in FIG. 4.

1 Claim, 1 Drawing Sheet

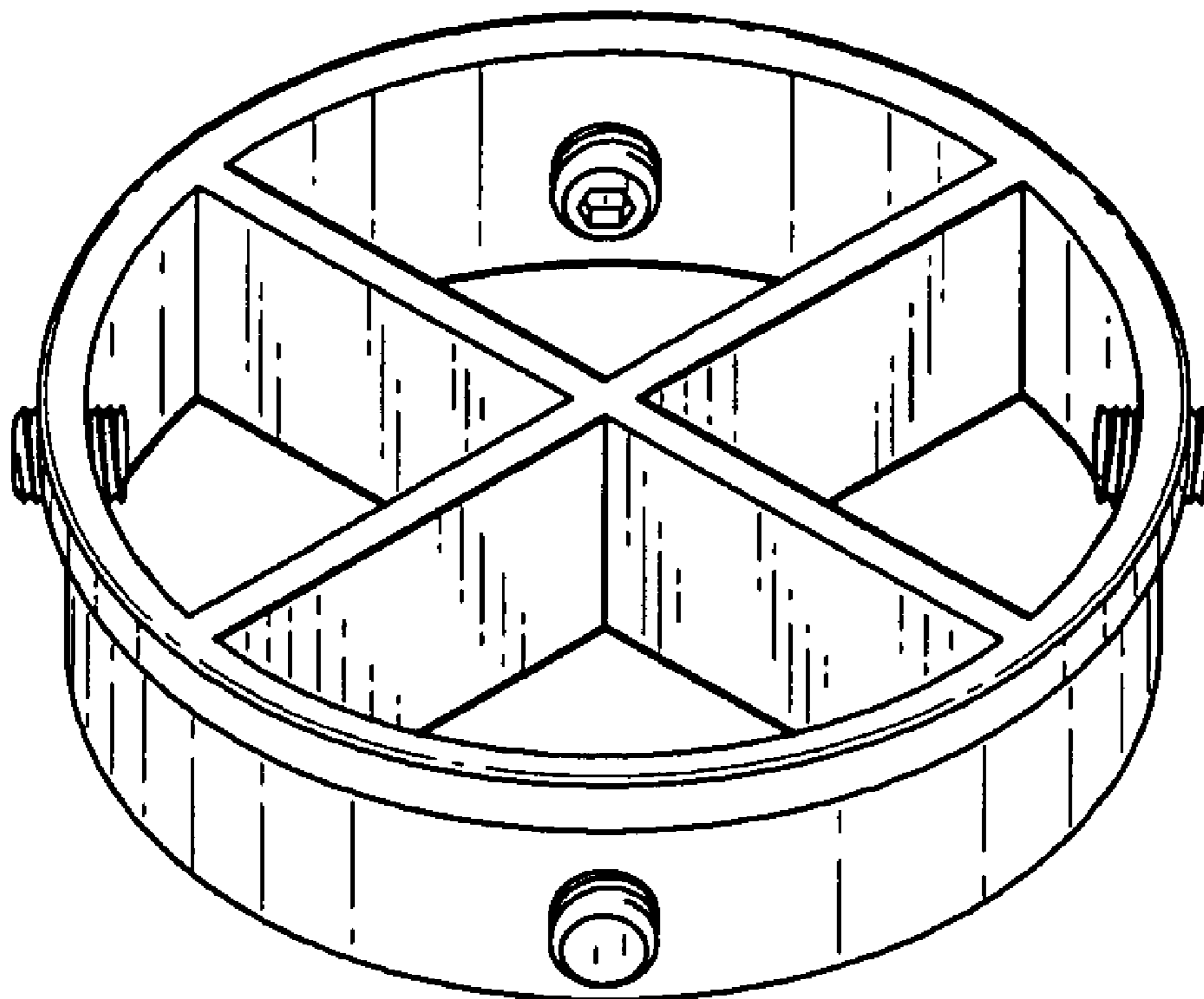


FIG. 1

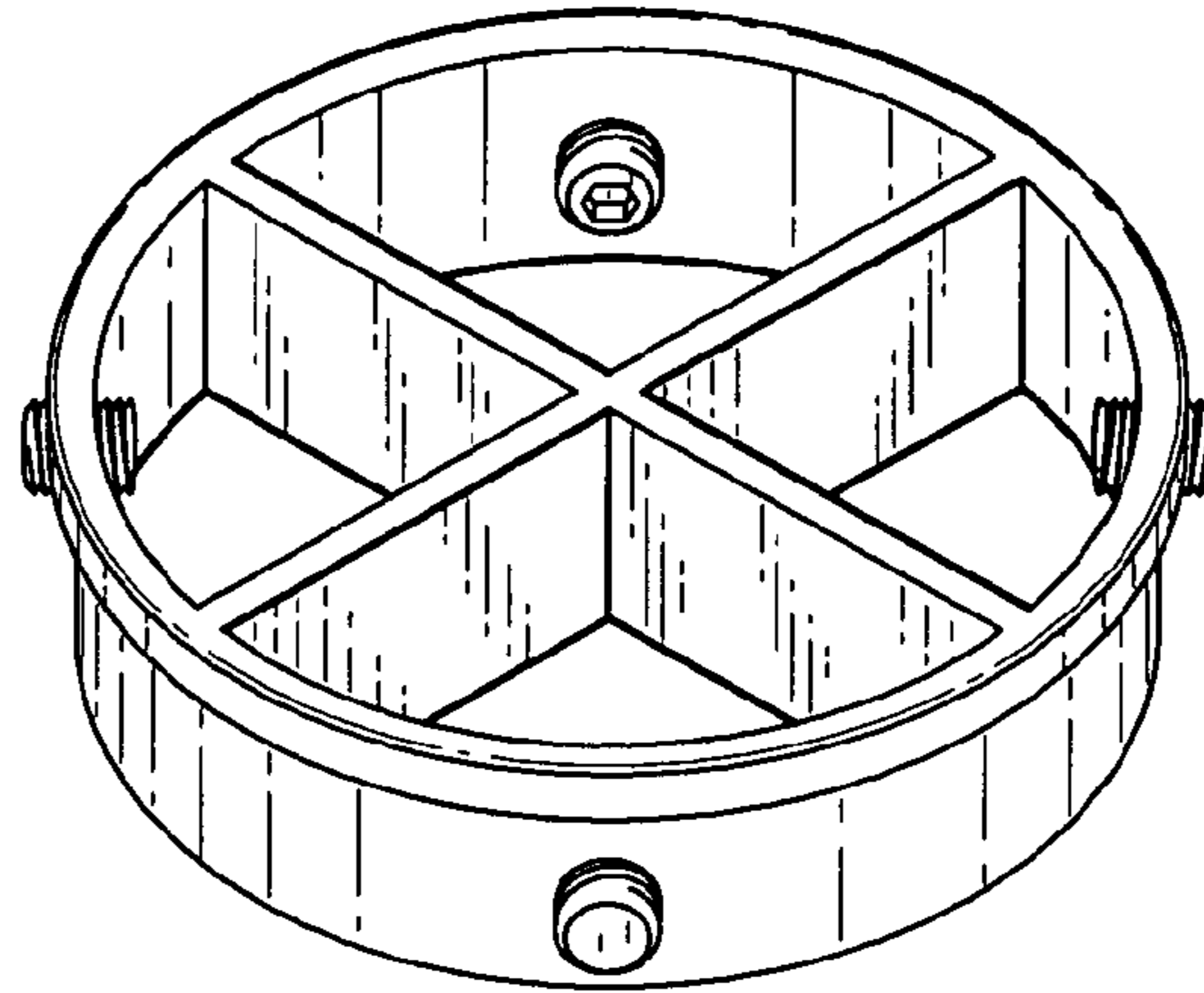


FIG. 2

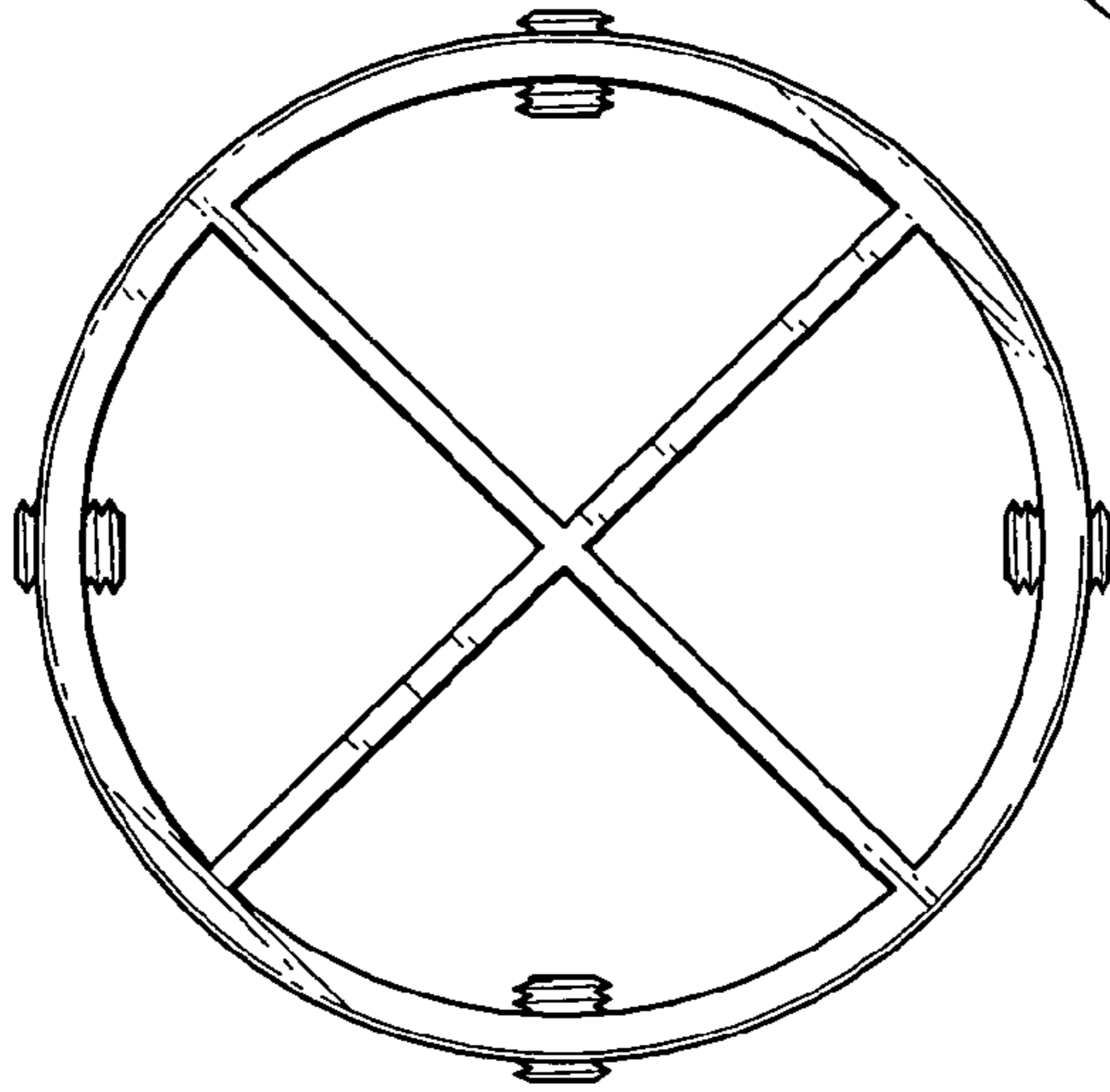


FIG. 3

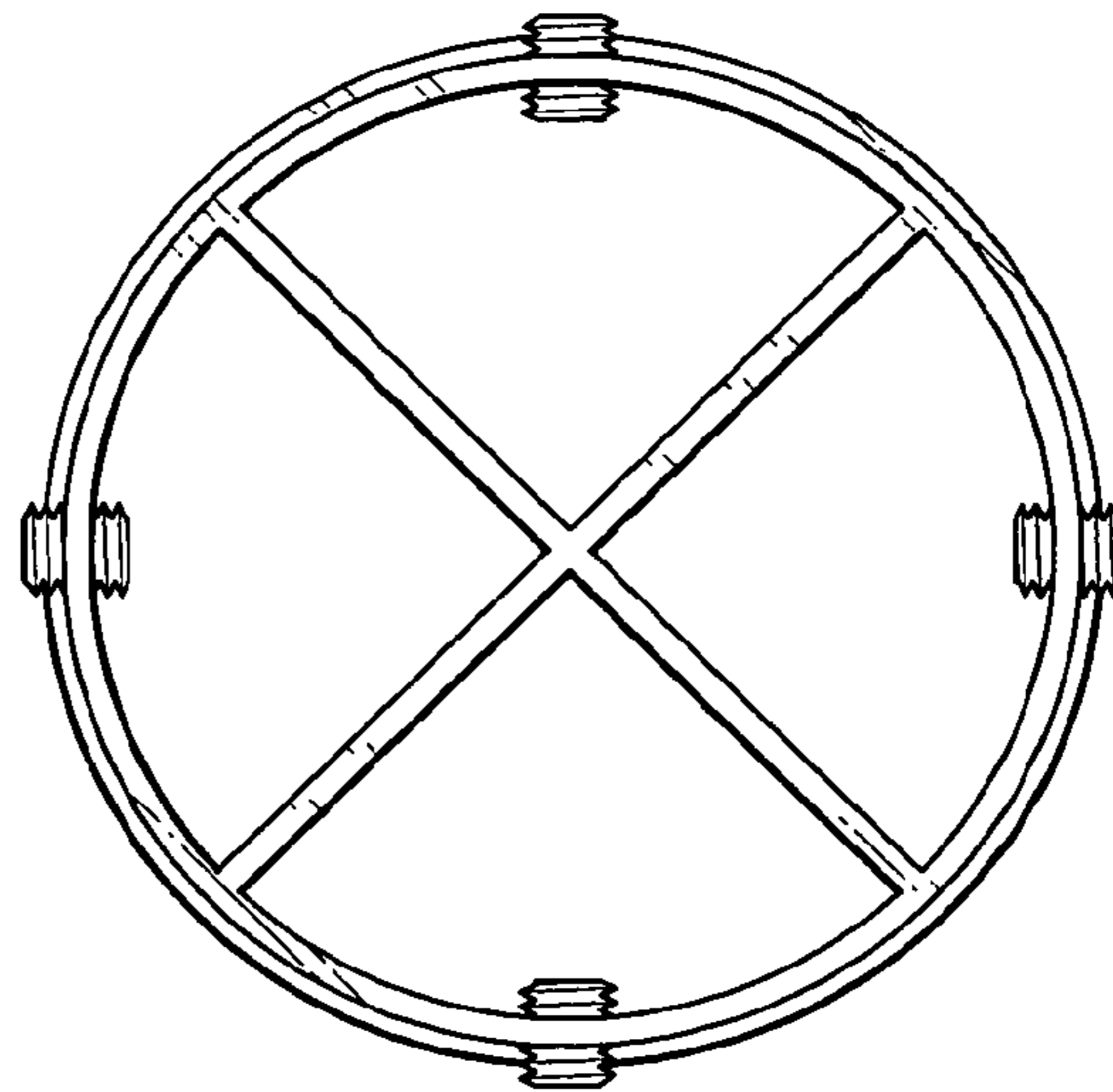


FIG. 4

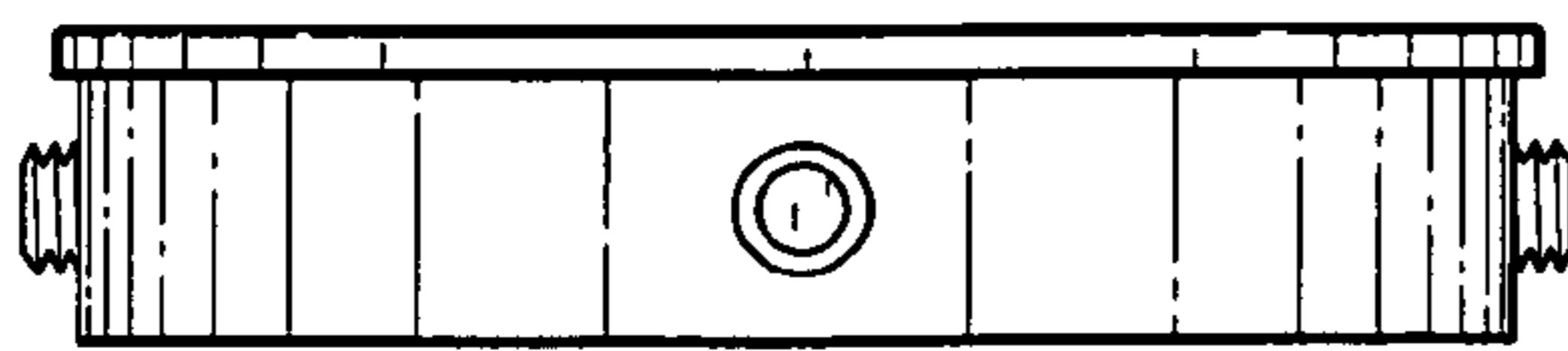


FIG. 5

