



US00D588052S

(12) **United States Design Patent**
Banjoko

(10) **Patent No.:** **US D588,052 S**
(45) **Date of Patent:** **** Mar. 10, 2009**

(54) **AUTOMOBILE GRILLE**

(76) Inventor: **Afolarin R. Banjoko**, 311 Caraway Dr.,
Bear, DE (US) 19701-6013

(**) Term: **14 Years**

(21) Appl. No.: **29/293,561**

(22) Filed: **Dec. 3, 2007**

(51) **LOC (9) Cl.** **12-16**

(52) **U.S. Cl.** **D12/163**

(58) **Field of Classification Search** D12/163,
D12/169, 400, 167, 90-92, 86, 196, 171,
D12/216; 180/68.6; 296/193.1, 181.1, 181.3;
293/102, 113, 118, 115, 117, 120, 132
See application file for complete search history.

(56) **References Cited**

U.S. PATENT DOCUMENTS

D153,266 S *	4/1949	Darrin	D12/170
D195,196 S	5/1963	Milliken		
D475,330 S	6/2003	Homan		
D477,259 S *	7/2003	Coker	D12/196
D480,667 S *	10/2003	Price et al.	D12/163
D497,123 S	10/2004	Marchese et al.		
D500,267 S	12/2004	Elwell et al.		
D501,808 S *	2/2005	Otto et al.	D12/163

6,986,597 B2	1/2006	Elwell		
D524,198 S *	7/2006	Fukuda et al.	D12/163
7,152,915 B2 *	12/2006	Diehl et al.	296/193.1
D535,590 S *	1/2007	Hogios	D12/163
D551,134 S *	9/2007	Miyata	D12/163
7,290,809 B2 *	11/2007	Filip et al.	293/115
D567,723 S *	4/2008	Saito	D12/163
2007/0058382 A1	3/2007	Lan		

* cited by examiner

Primary Examiner—Philip Hyder
Assistant Examiner—Cynthia Underwood

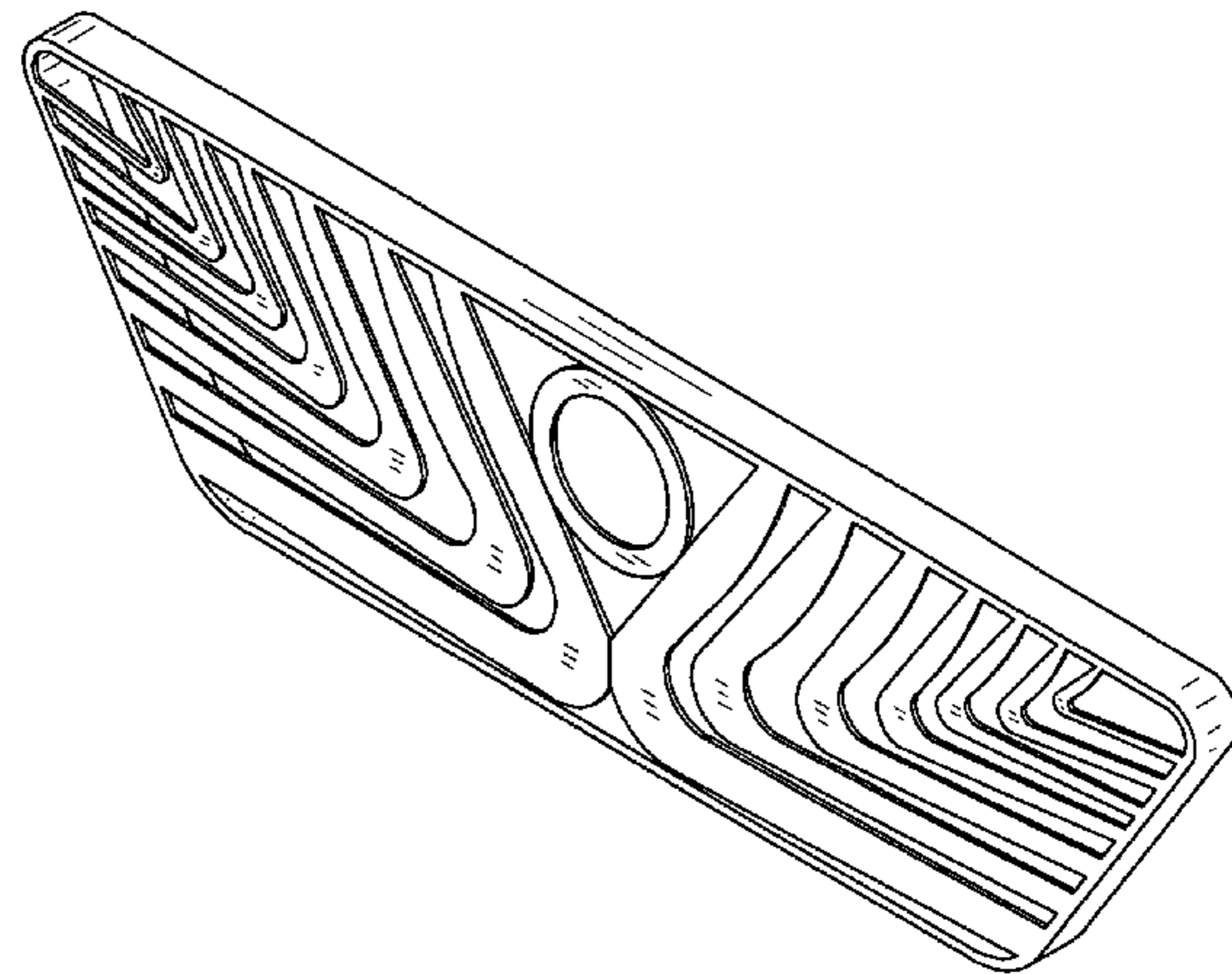
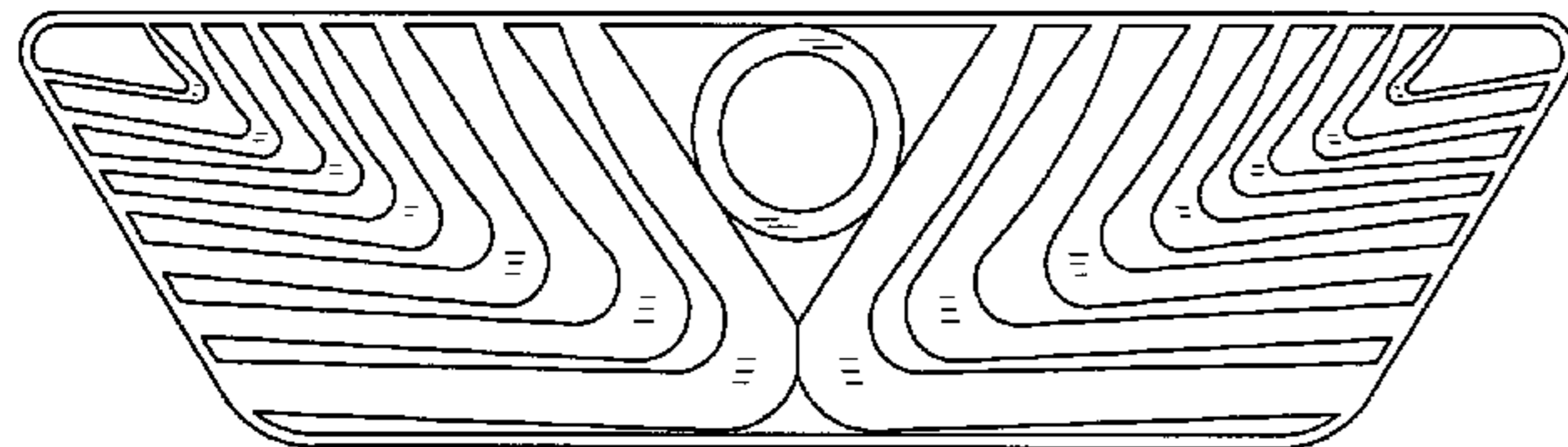
(57) **CLAIM**

The ornamental design for an automobile grille, as shown and described.

DESCRIPTION

FIG. 1 is a front view of the automobile grille.
FIG. 2 is a rear view of the automobile grille.
FIG. 3 is a left side view of the automobile grille.
FIG. 4 is a top view of the automobile grille.
FIG. 5 is a bottom view of the automobile grille; and,
FIG. 6 is a top isometric view of the automobile grille.

1 Claim, 3 Drawing Sheets



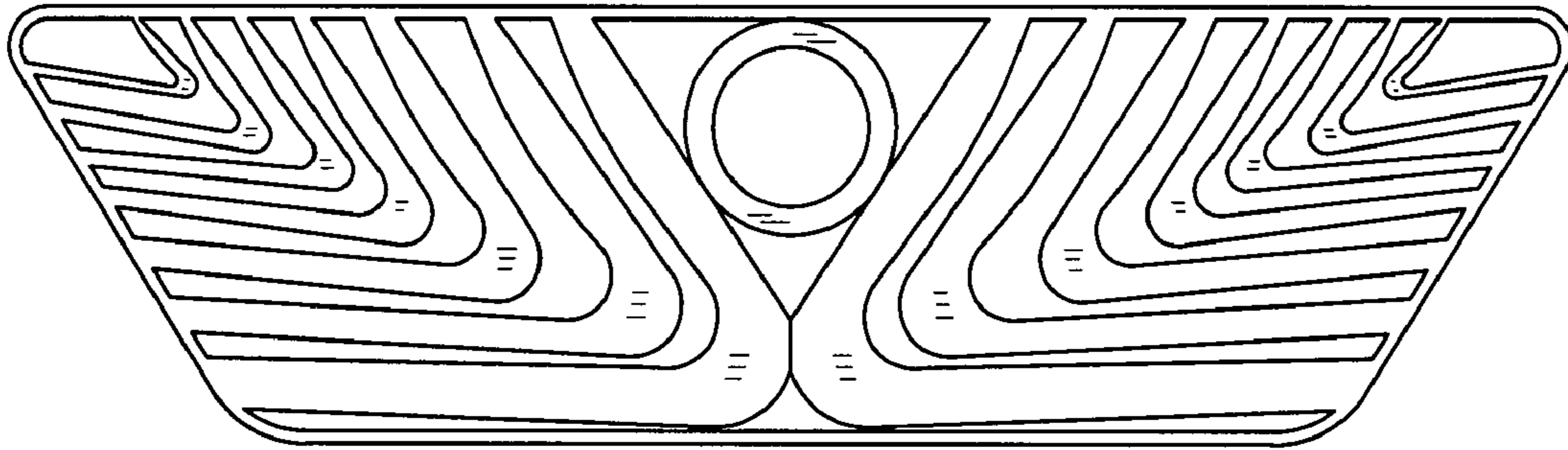


FIG. 1

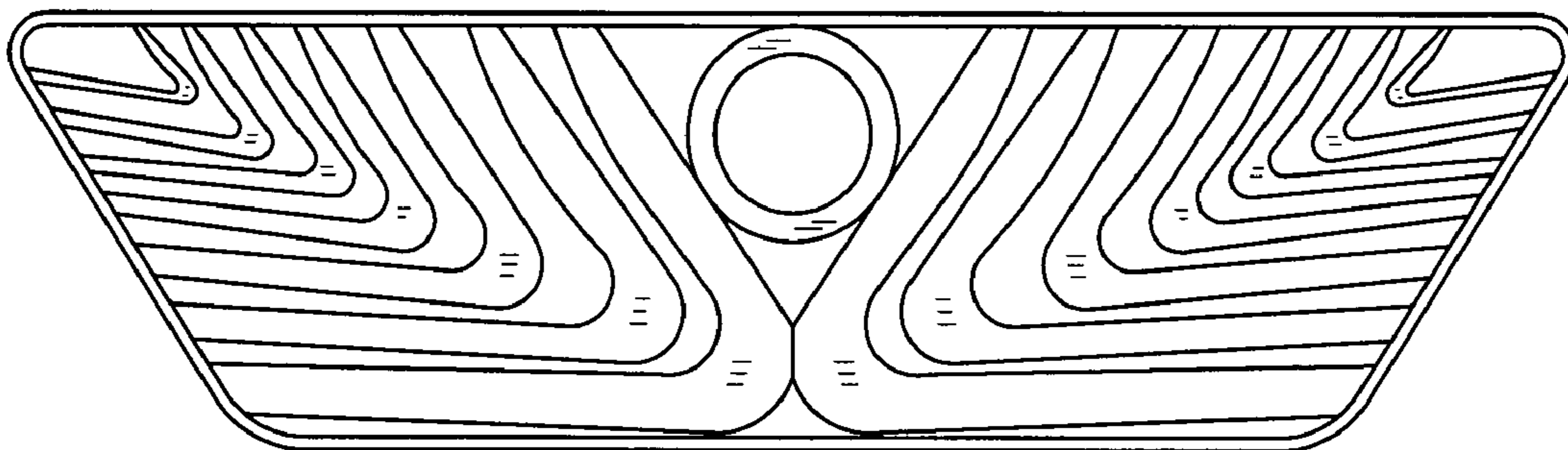


FIG. 2



FIG. 3



FIG. 4

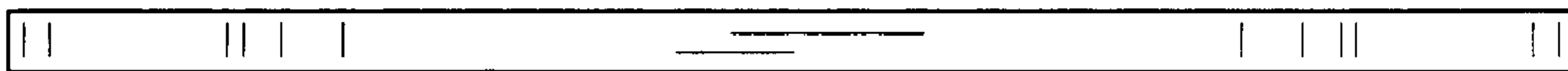


FIG. 5

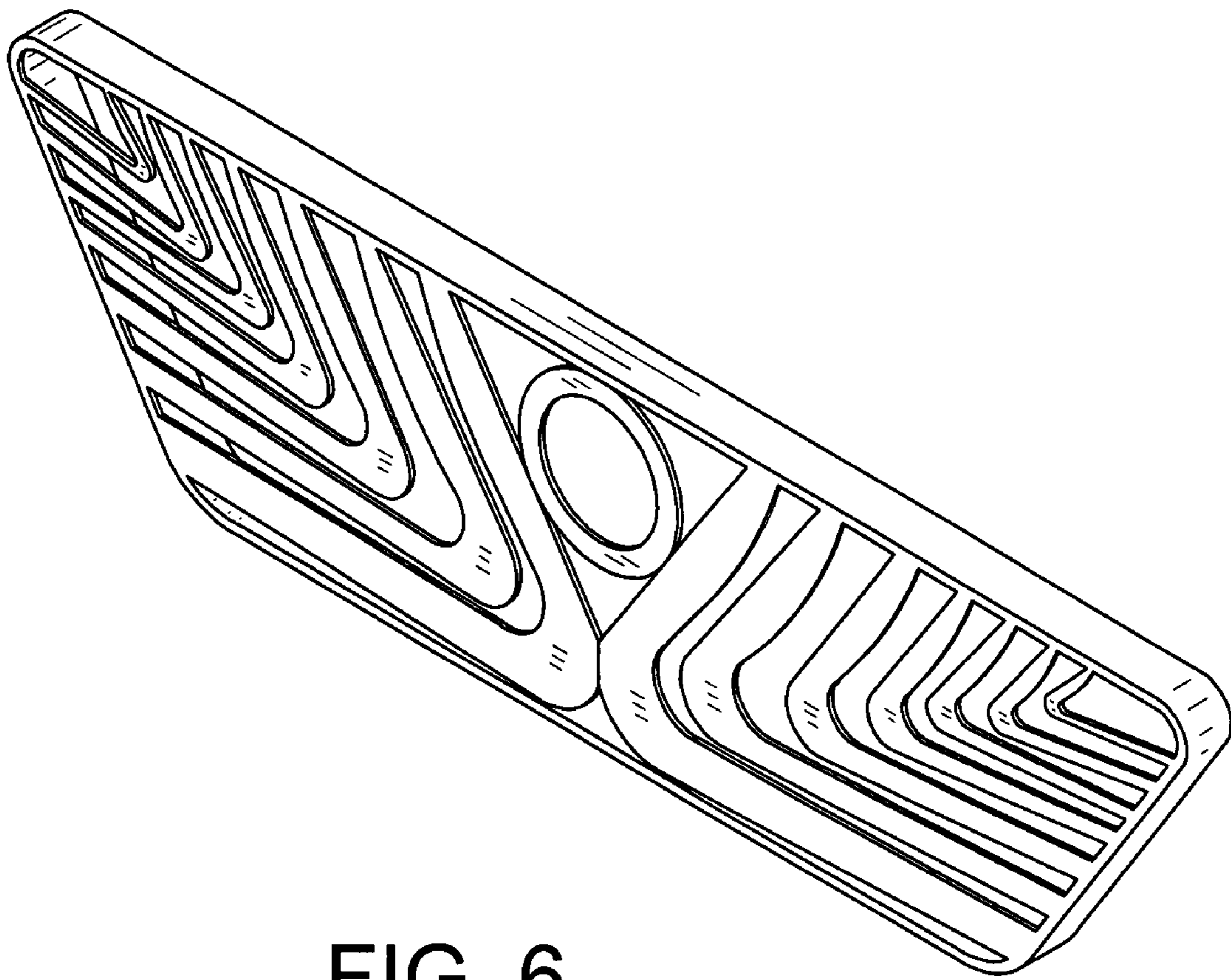


FIG. 6