



US00D588051S

(12) **United States Design Patent**  
**Møller et al.**

(10) **Patent No.:** **US D588,051 S**  
(45) **Date of Patent:** **\*\* Mar. 10, 2009**

(54) **FRONT MEMBER FOR A SUPPORT  
MECHANISM FOR A WHEELCHAIR**

(75) Inventors: **Flemming Møller**, Horsens (DK); **Kåre Birk**, Skanderborg (DK)

(73) Assignee: **R82 A/S**, Gedved (DK)

(\*\*) Term: **14 Years**

(21) Appl. No.: **29/261,403**

(22) Filed: **Jun. 14, 2006**

(30) **Foreign Application Priority Data**

Dec. 14, 2005 (EM) ..... 000447115

(51) **LOC (9) Cl.** ..... **12-12**

(52) **U.S. Cl.** ..... **D12/133**

(58) **Field of Classification Search** ..... D12/128-133,  
D12/114, 115, 119; 280/62, 647-650, 29,  
280/200, 47.38, 250.1, 259, 642, 658; 297/DIG. 4;  
296/65.03, 65.04; 224/409; 135/65-67,  
135/74, 96; 180/208; 267/5; D21/686, 687,  
D21/688, 663

See application file for complete search history.

(56) **References Cited**

**U.S. PATENT DOCUMENTS**

D278,217 S \* 4/1985 Nassiri ..... D12/131  
4,592,570 A \* 6/1986 Nassiri ..... 280/650  
4,811,964 A \* 3/1989 Horn ..... 280/250.1  
D306,712 S \* 3/1990 Friedrich ..... D12/133  
4,968,051 A \* 11/1990 Luo ..... 280/304.1  
D322,949 S \* 1/1992 Friedrich ..... D12/133  
5,152,543 A \* 10/1992 Sims et al. .... 280/250.1

D341,344 S \* 11/1993 Counts et al. .... D12/133  
D344,702 S \* 3/1994 Robertson et al. .... D12/133  
D412,141 S \* 7/1999 Dickie et al. .... D12/133  
D433,968 S \* 11/2000 Mascari et al. .... D12/133  
D451,851 S \* 12/2001 Dickie et al. .... D12/133

\* cited by examiner

*Primary Examiner*—Ian Simmons

*Assistant Examiner*—Charles D Hanson

(74) *Attorney, Agent, or Firm*—Dykema Gossett PLLC

(57) **CLAIM**

The ornamental design for a front member for a support mechanism for a wheelchair, as shown and described.

**DESCRIPTION**

FIG. 1 is a front perspective view of a front member for support mechanism of a wheelchair according to our new design,

FIG. 2 is a rear perspective view thereof,

FIG. 3 is a left side elevational view thereof when in an open positioning of elements, the right side elevational view being a mirror image,

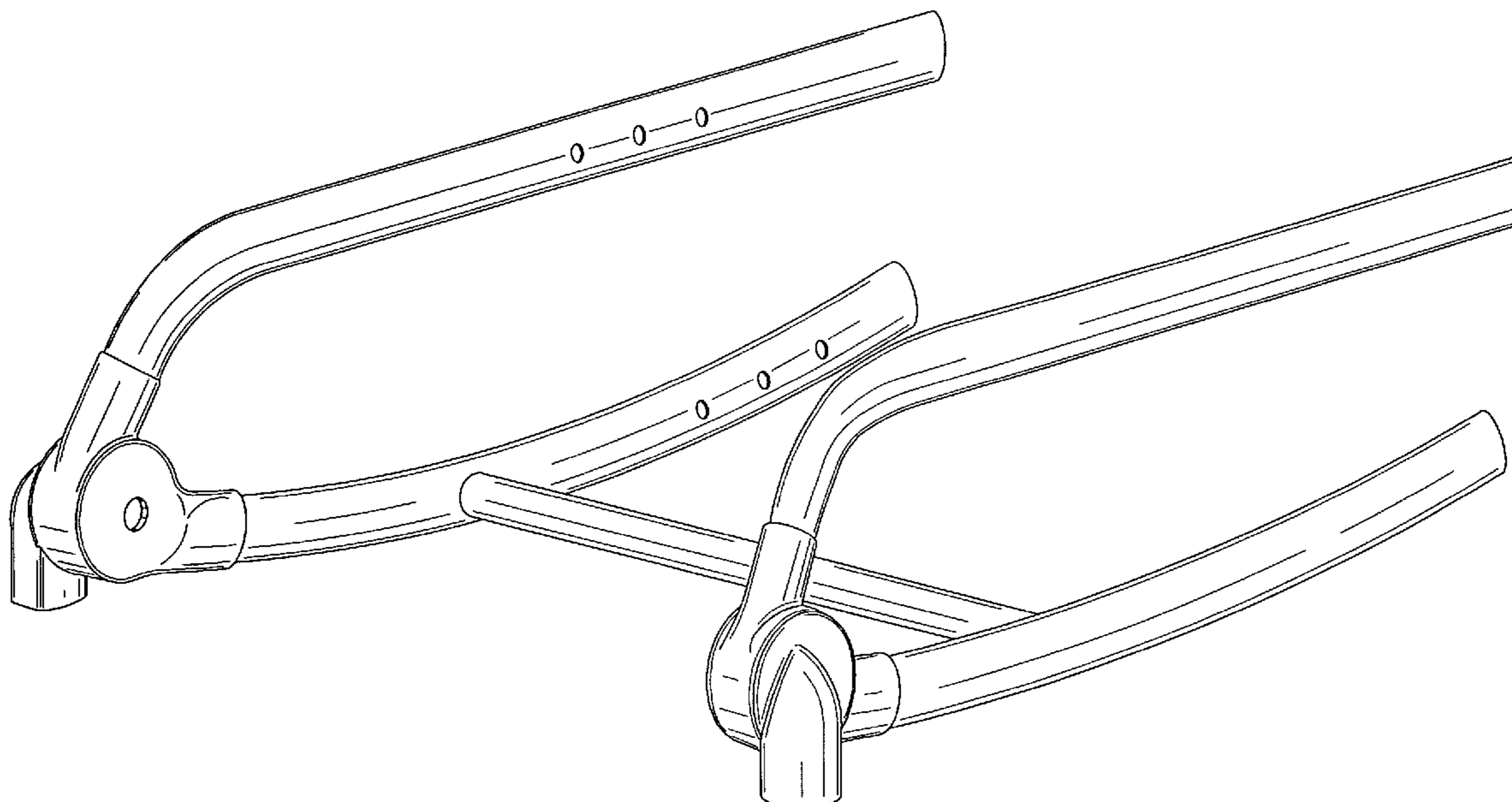
FIG. 4 is a left side elevational view thereof when in a closed positioning of elements, the right side elevational view being a mirror image,

FIG. 5 is a left side elevational view thereof when in an intermediate positioning of elements, the right side elevational view being a mirror image,

FIG. 6 is a front elevational view thereof; and,

FIG. 7 is a rear elevational view thereof.

**1 Claim, 7 Drawing Sheets**



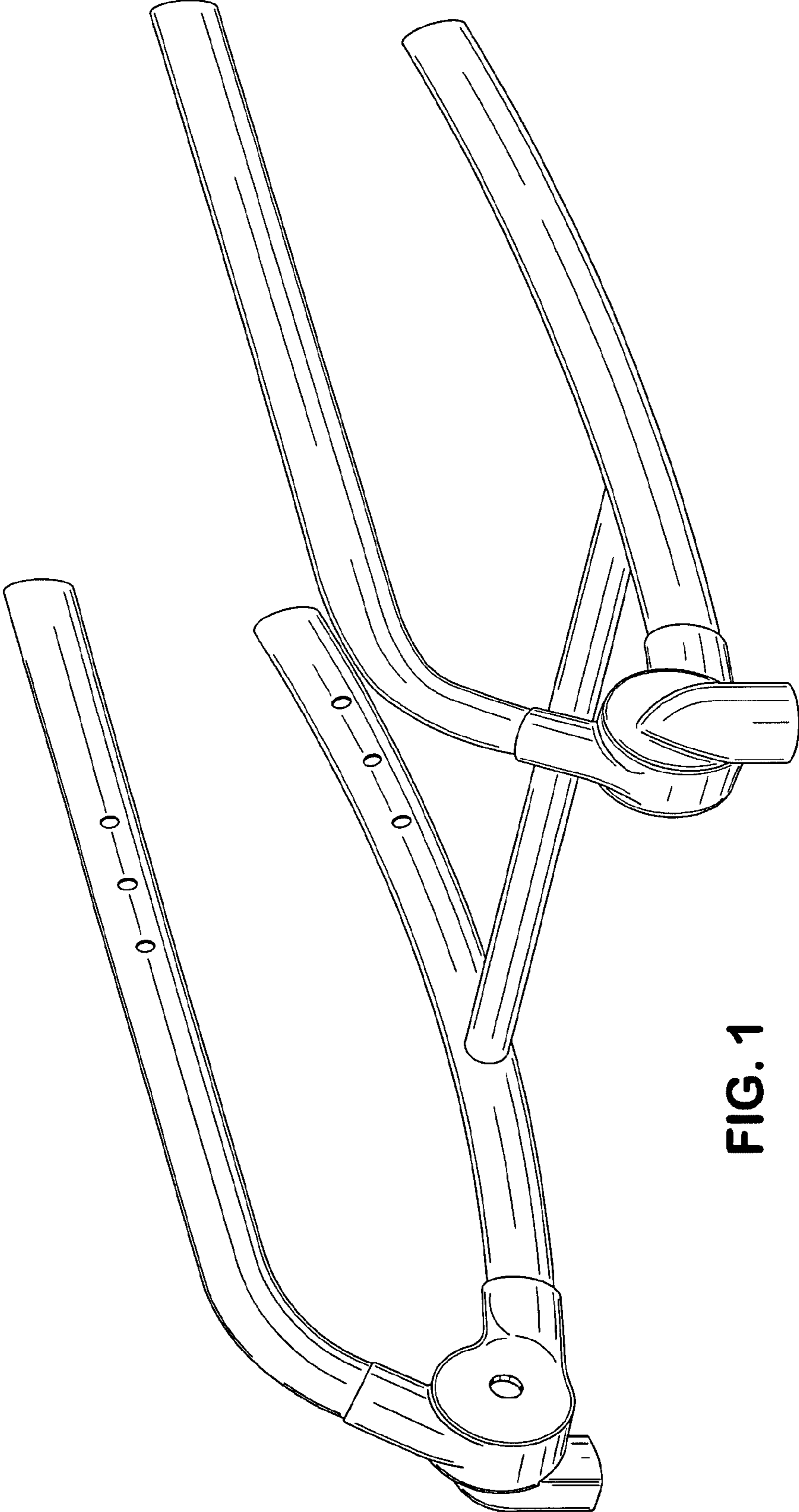


FIG. 1

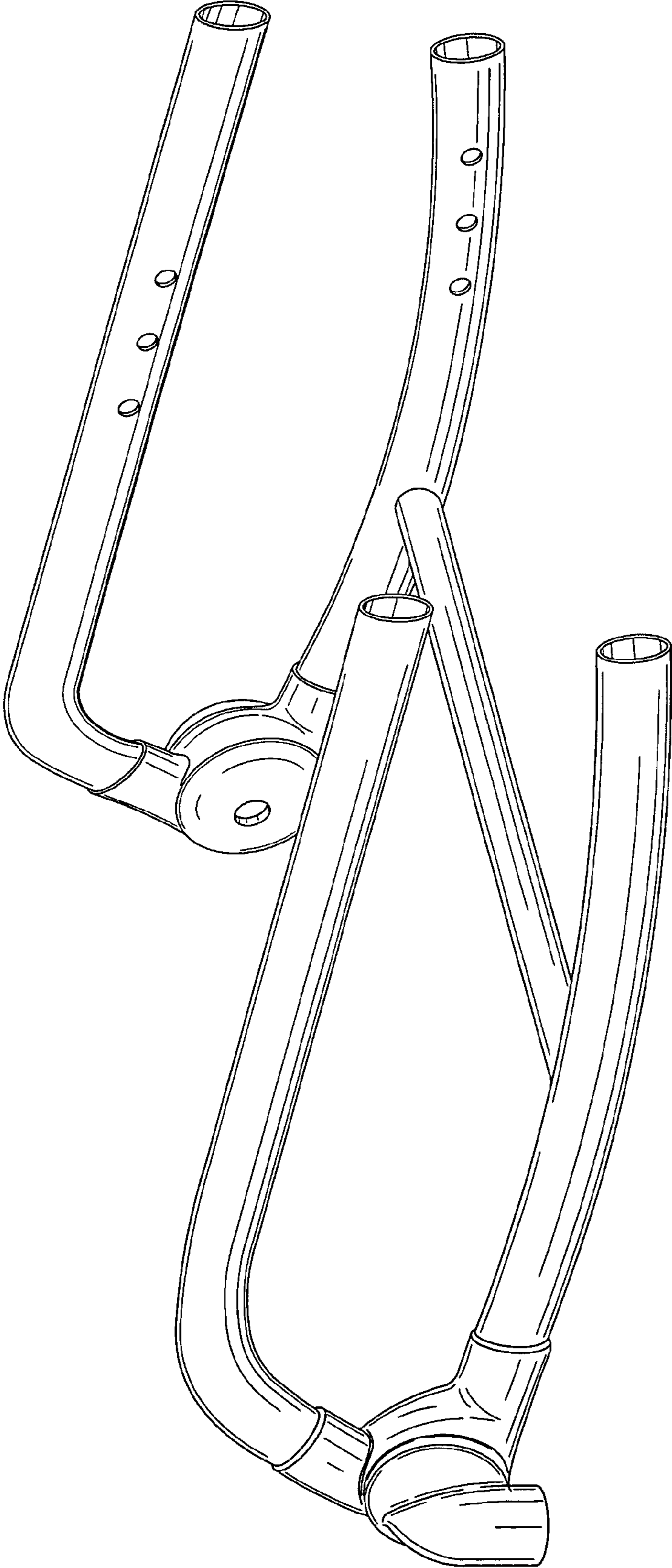


FIG. 2

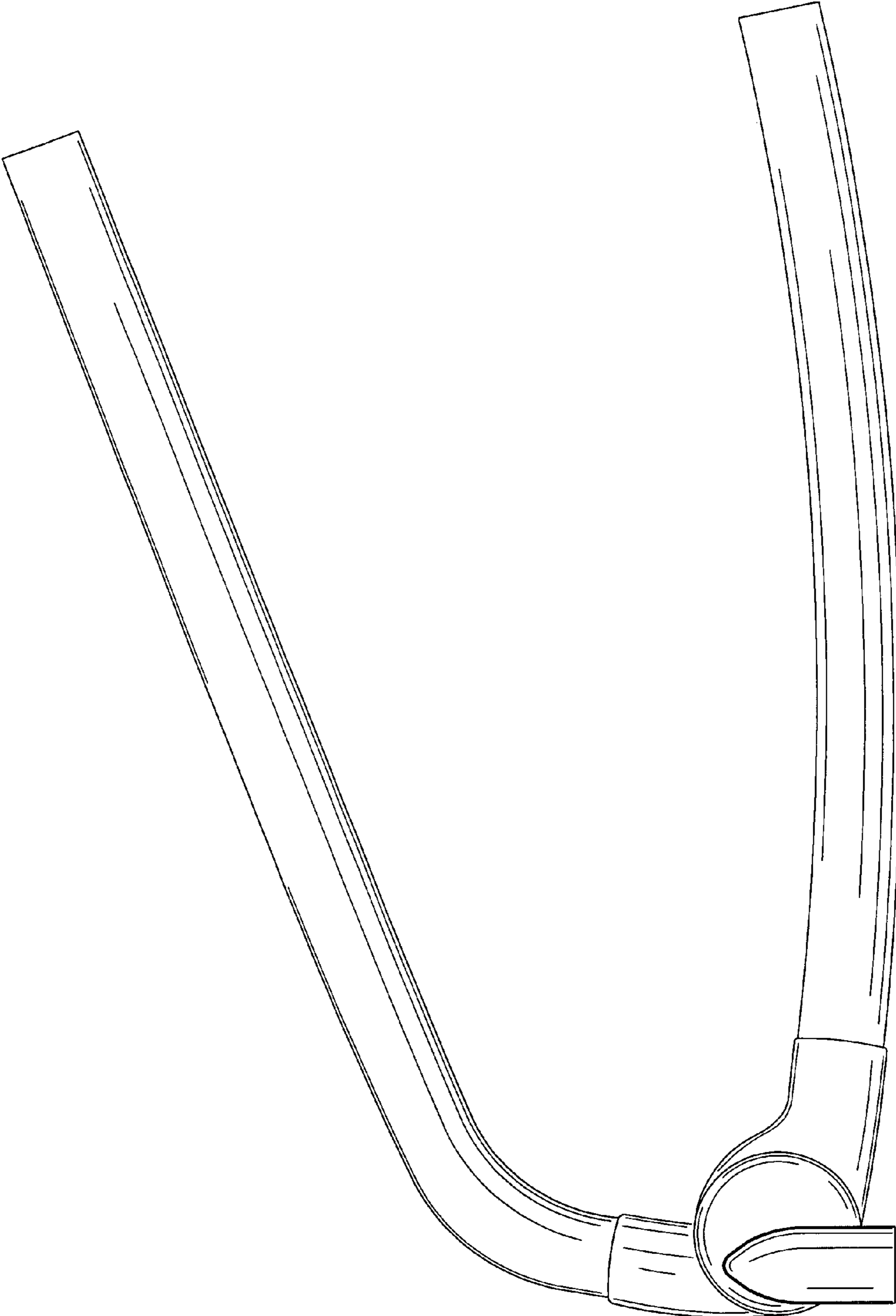


FIG. 3



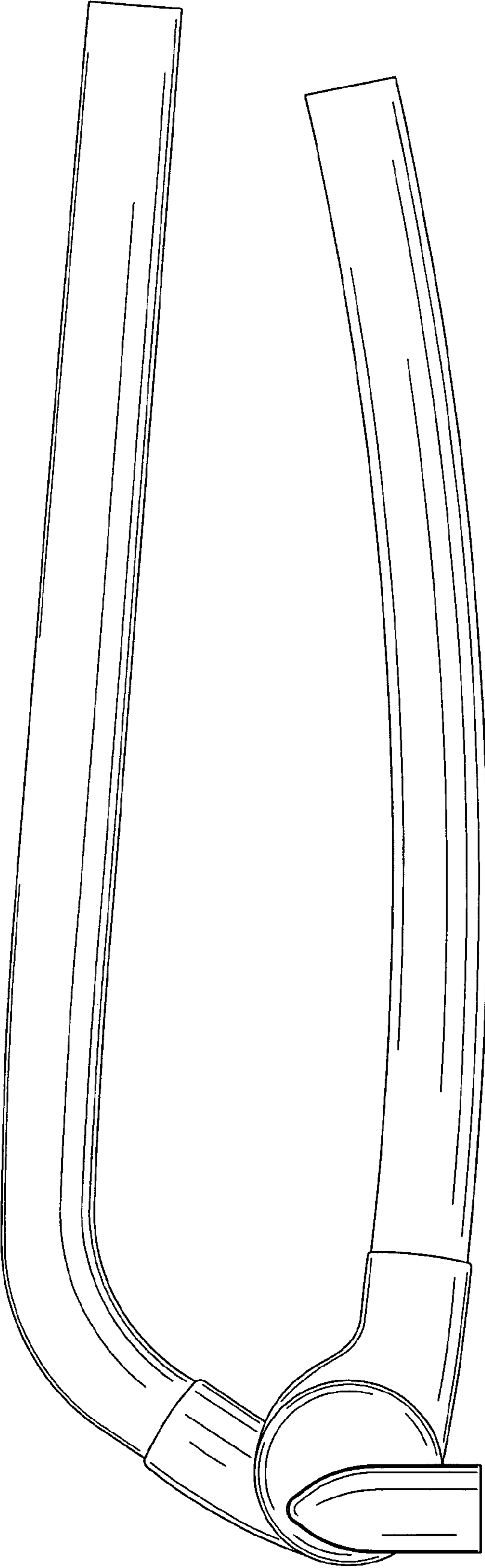


FIG. 4

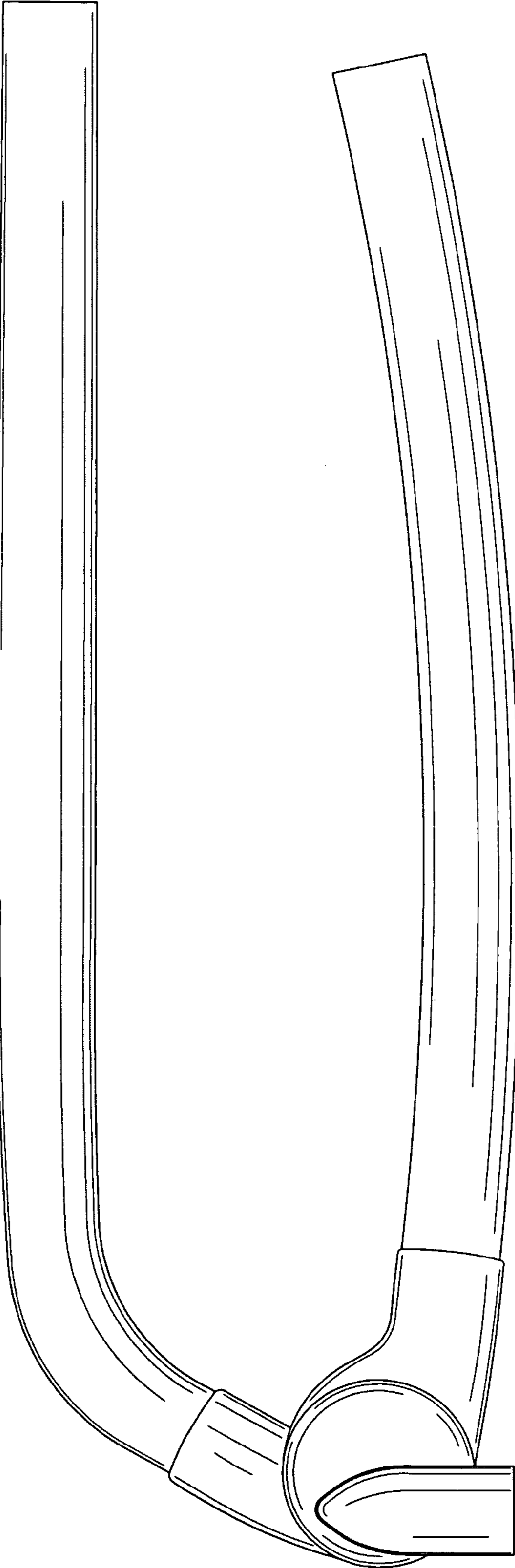


FIG. 5

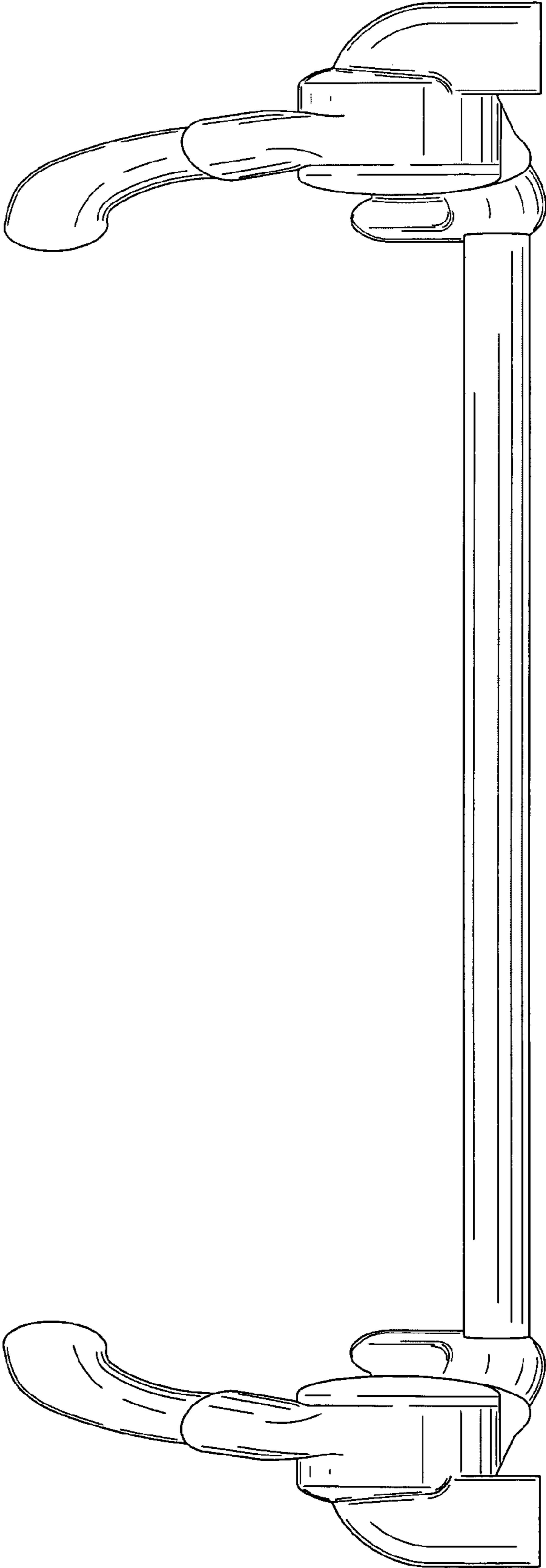


FIG. 6

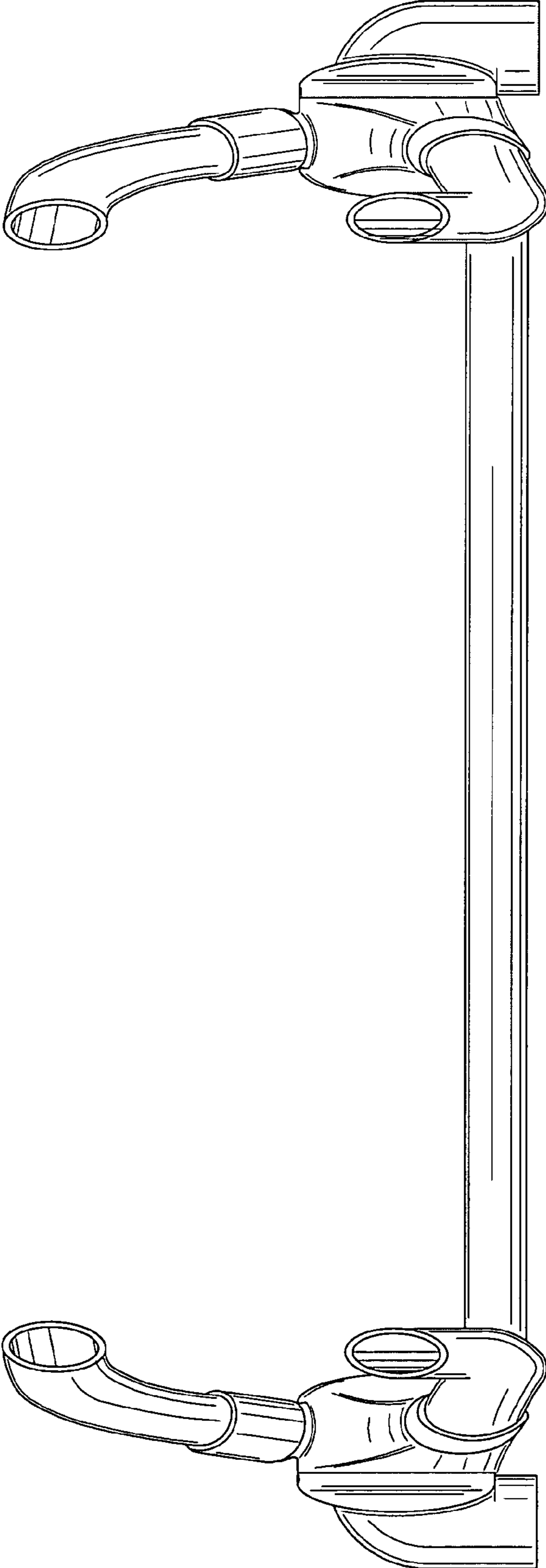


FIG. 7