



US00D588050S

(12) **United States Design Patent**
Levine

(10) **Patent No.:** **US D588,050 S**
(45) **Date of Patent:** **** Mar. 10, 2009**

(54) **BICYCLE RACK**

(76) Inventor: **Steven K. Levine**, 34 Cross Ridge Rd.,
Chappaqua, NY (US) 10514

(**) Term: **14 Years**

(21) Appl. No.: **29/308,664**

(22) Filed: **Jun. 30, 2008**

(51) **LOC (9) Cl.** **12-11**

(52) **U.S. Cl.** **D12/115**

(58) **Field of Classification Search** D12/115,
D12/120; 211/5, 17-22, 181.1
See application file for complete search history.

(56) **References Cited**

U.S. PATENT DOCUMENTS

D302,258 S *	7/1989	Kalisch et al.	D12/115
D324,009 S *	2/1992	Smith	D12/115
D369,131 S *	4/1996	Smith	D12/115
D398,268 S *	9/1998	Woodcock	D12/115

* cited by examiner

Primary Examiner—Robin V Webster
Assistant Examiner—Linda Brooks

(57) **CLAIM**

The ornamental design for a bicycle rack, as shown and described.

DESCRIPTION

FIG. 1 is a perspective view of the bicycle rack of my new design;

FIG. 2 is a front elevational view thereof;

FIG. 3 is a left side elevational view thereof;

FIG. 4 is a top plan view thereof; and,

FIG. 5 is a bottom plan view thereof.

The back elevational view is the same as the front elevational view shown in FIG. 2, and the right side elevational view is identical to the left side elevational view shown in FIG. 3.

1 Claim, 2 Drawing Sheets

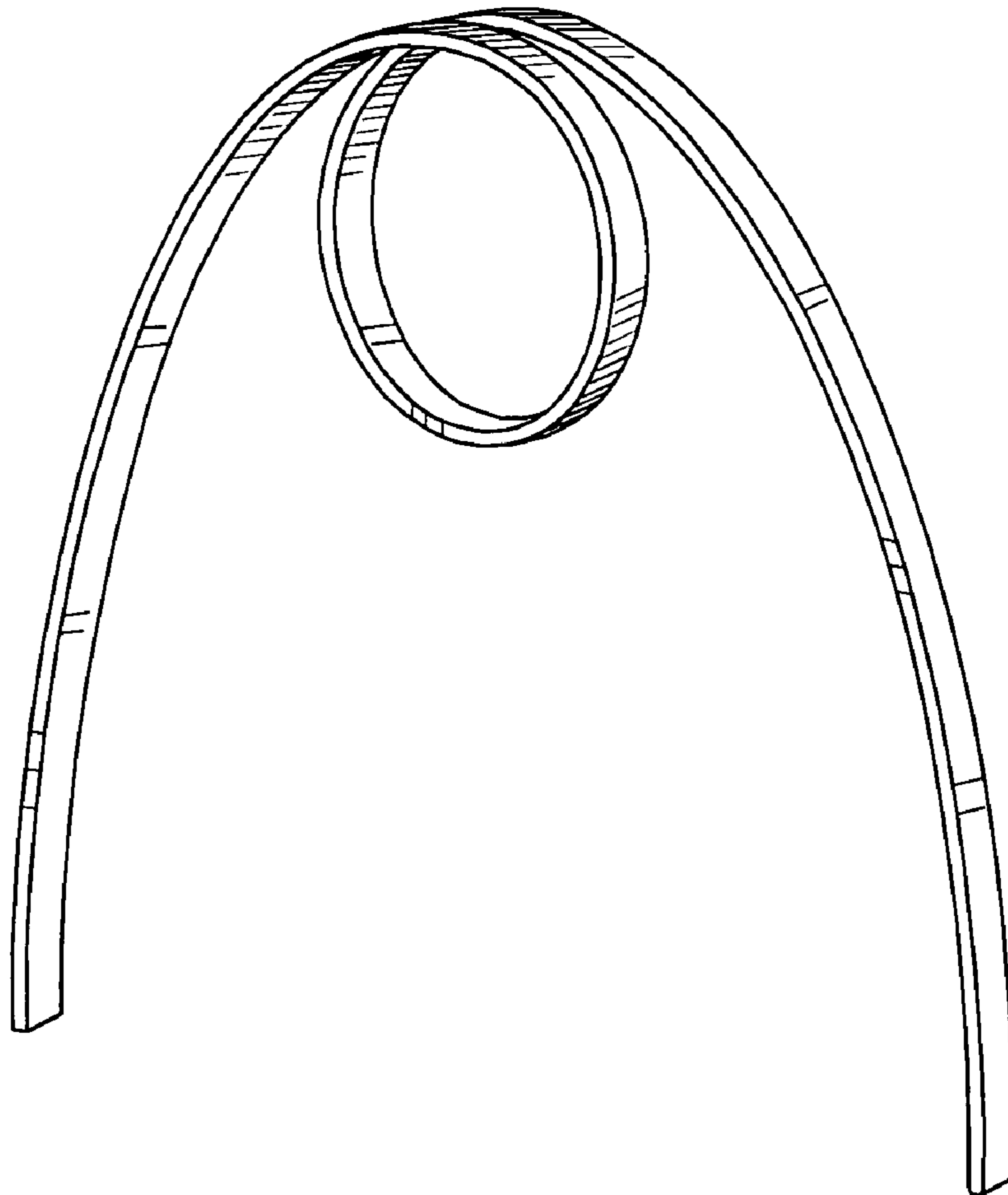


FIG. 2

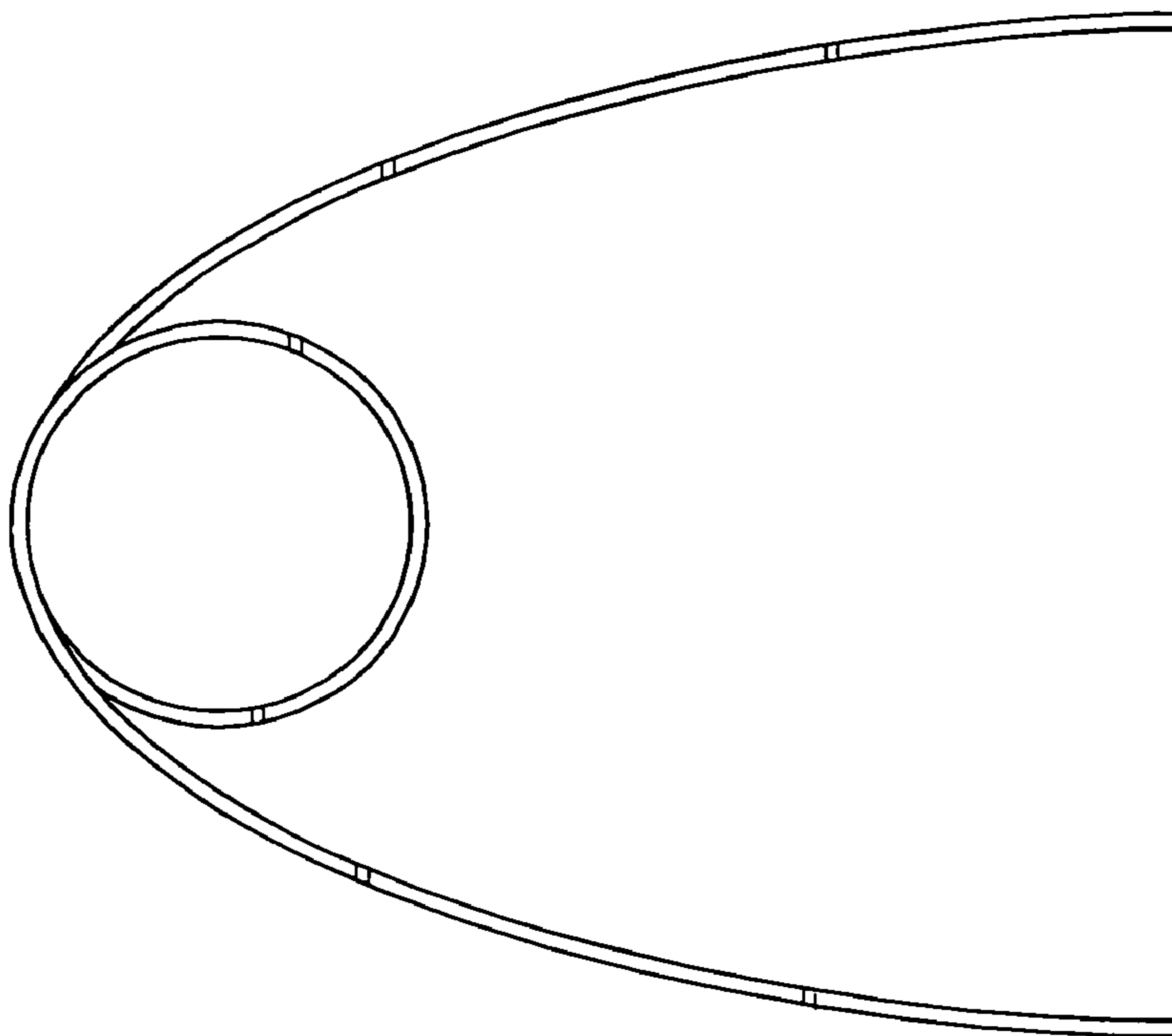


FIG 1

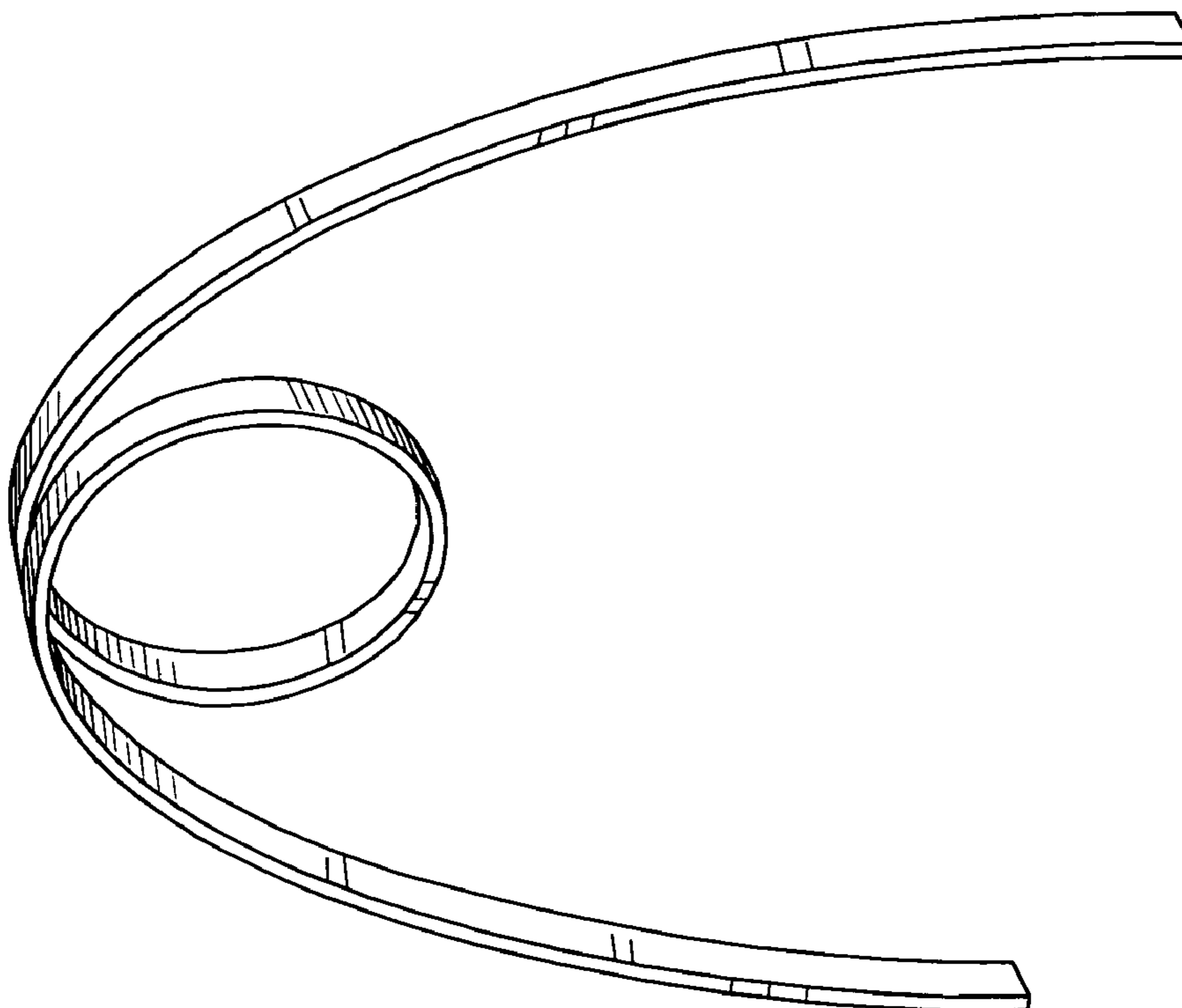


FIG. 4

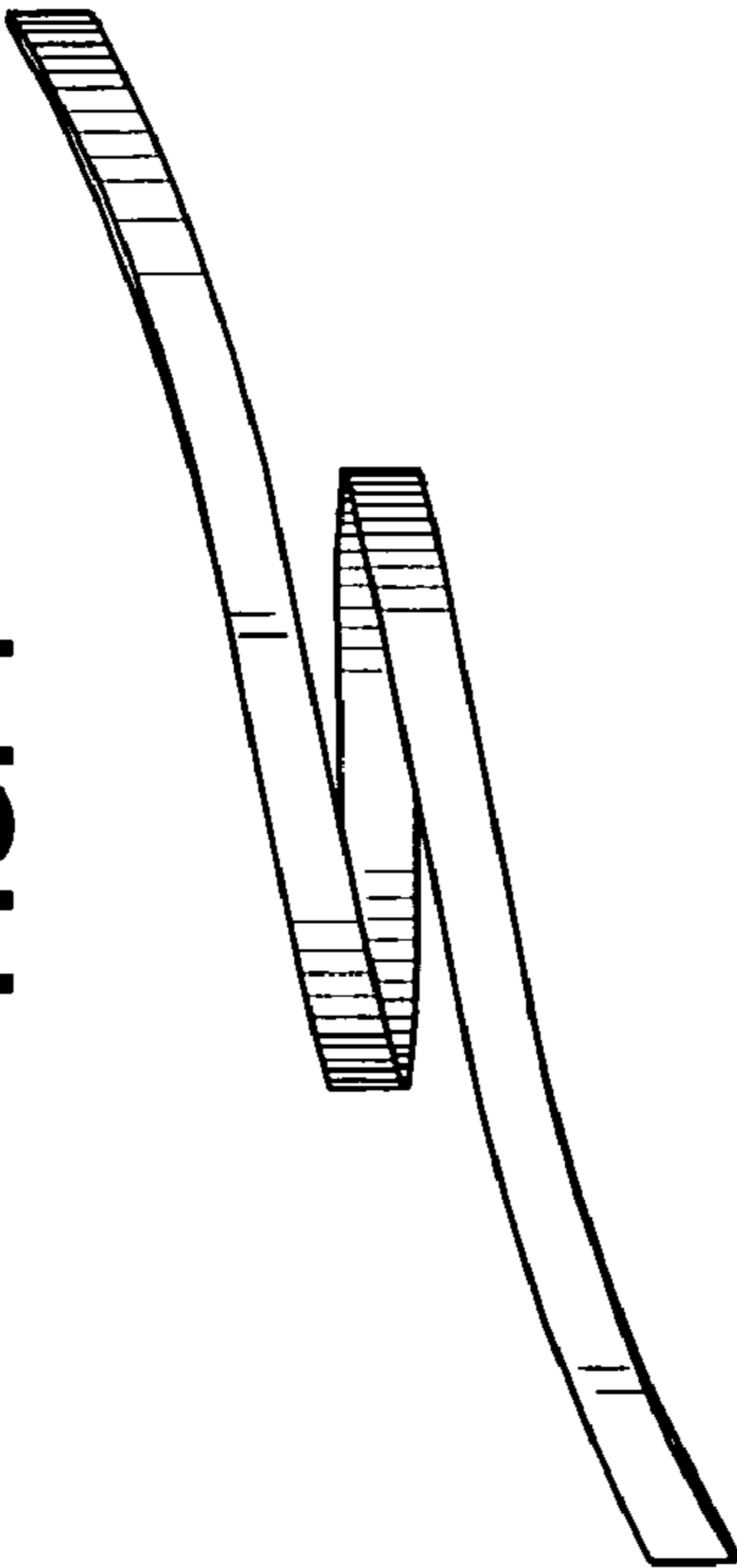


FIG. 5

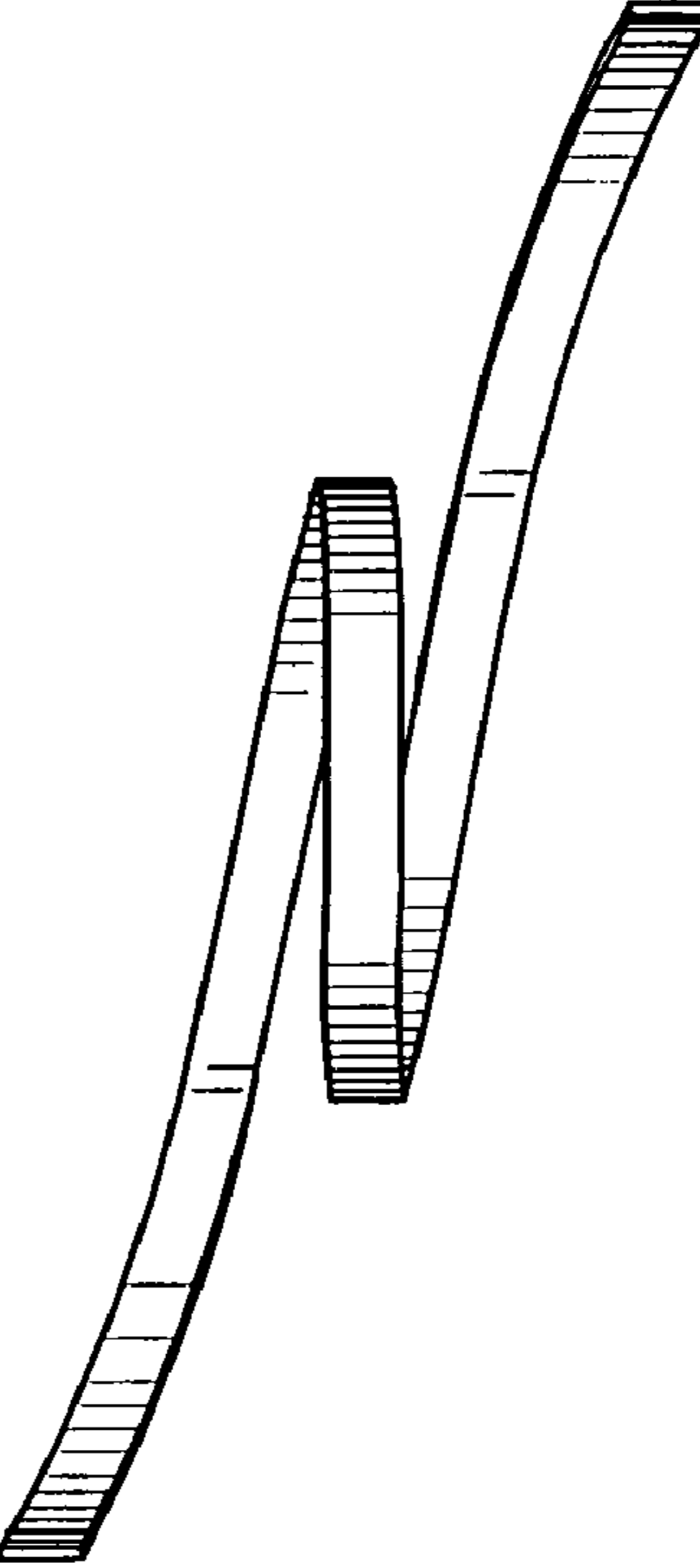


FIG. 3

