



US00D588034S

(12) **United States Design Patent**
Marmier

(10) **Patent No.:** **US D588,034 S**

(45) **Date of Patent:** **** Mar. 10, 2009**

(54) **LOAD CELL FOR A SCALE**

(75) Inventor: **Yves Marmier**, La Chaux-de-Fonds
(CH)

(73) Assignee: **Mettler-Toledo AG**, Greifensee (CH)

(**) Term: **14 Years**

(21) Appl. No.: **29/321,029**

(22) Filed: **Jul. 9, 2008**

(30) **Foreign Application Priority Data**

Jan. 16, 2008 (EM) 000859467

(51) **LOC (9) Cl.** **10-04**

(52) **U.S. Cl.** **D10/94**

(58) **Field of Classification Search** D10/88-94;
177/210 R, 210 C, 210 GM, 210 PP, 236,
177/245, DIG. 3, 25.12-25.18, 177, 126.1,
177/181, 25, 30, 127, 131, 148, 225, 21 EM,
177/21 FP, 212-214, 211; 600/506, 547
See application file for complete search history.

(56) **References Cited**

U.S. PATENT DOCUMENTS

4,838,372 A * 6/1989 Krause 177/211
D531,533 S * 11/2006 Wagner et al. D10/89

7,188,535 B1 * 3/2007 Spletzer 73/862.041
D541,187 S * 4/2007 Wagner et al. D10/89
7,319,198 B2 * 1/2008 Kuchel et al. 177/211

* cited by examiner

Primary Examiner—Antoine D Davis

(74) *Attorney, Agent, or Firm*—Standley Law Group LLP

(57) **CLAIM**

The ornamental design for a load cell for a scale, as shown and described.

DESCRIPTION

FIG. 1 is a perspective view of the load cell;
FIG. 2 is a front elevation view of the FIG. 1 embodiment;
FIG. 3 is a rear elevation view of the FIG. 1 embodiment;
FIG. 4 is a left side elevation view of the FIG. 1 embodiment;
FIG. 5 is a right side elevation view of the FIG. 1 embodiment;
and,
FIG. 6 is a top plan view of the FIG. 1 embodiment, the
bottom plan view not being shown, as it does not form part of
the claimed design.
The broken line showing of a terminal for attaching cable
plugs in FIGS. 1, 2 and 4-6 is included for the purpose of
environment and forms no part of the claimed design.

1 Claim, 6 Drawing Sheets

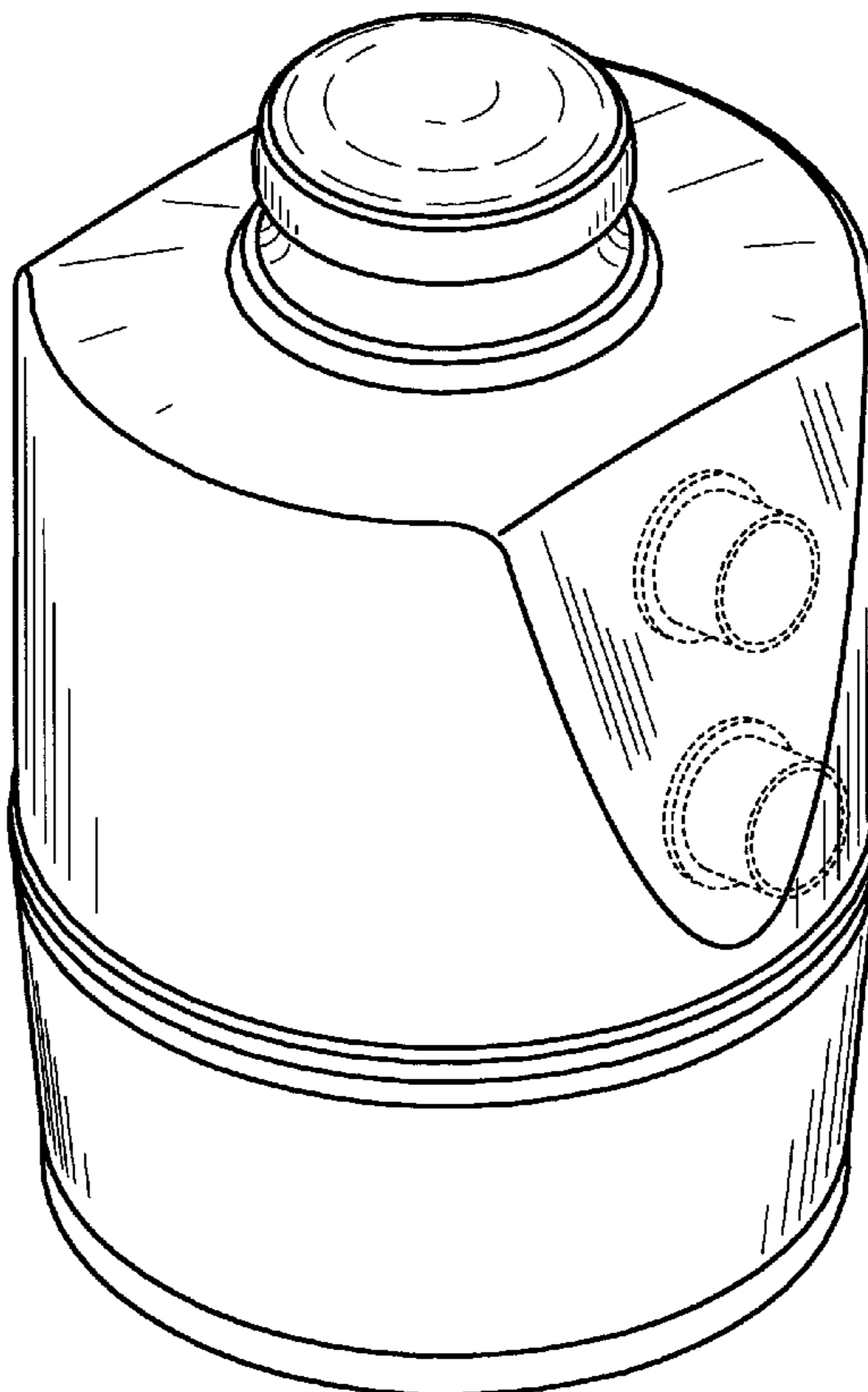


Fig. 1

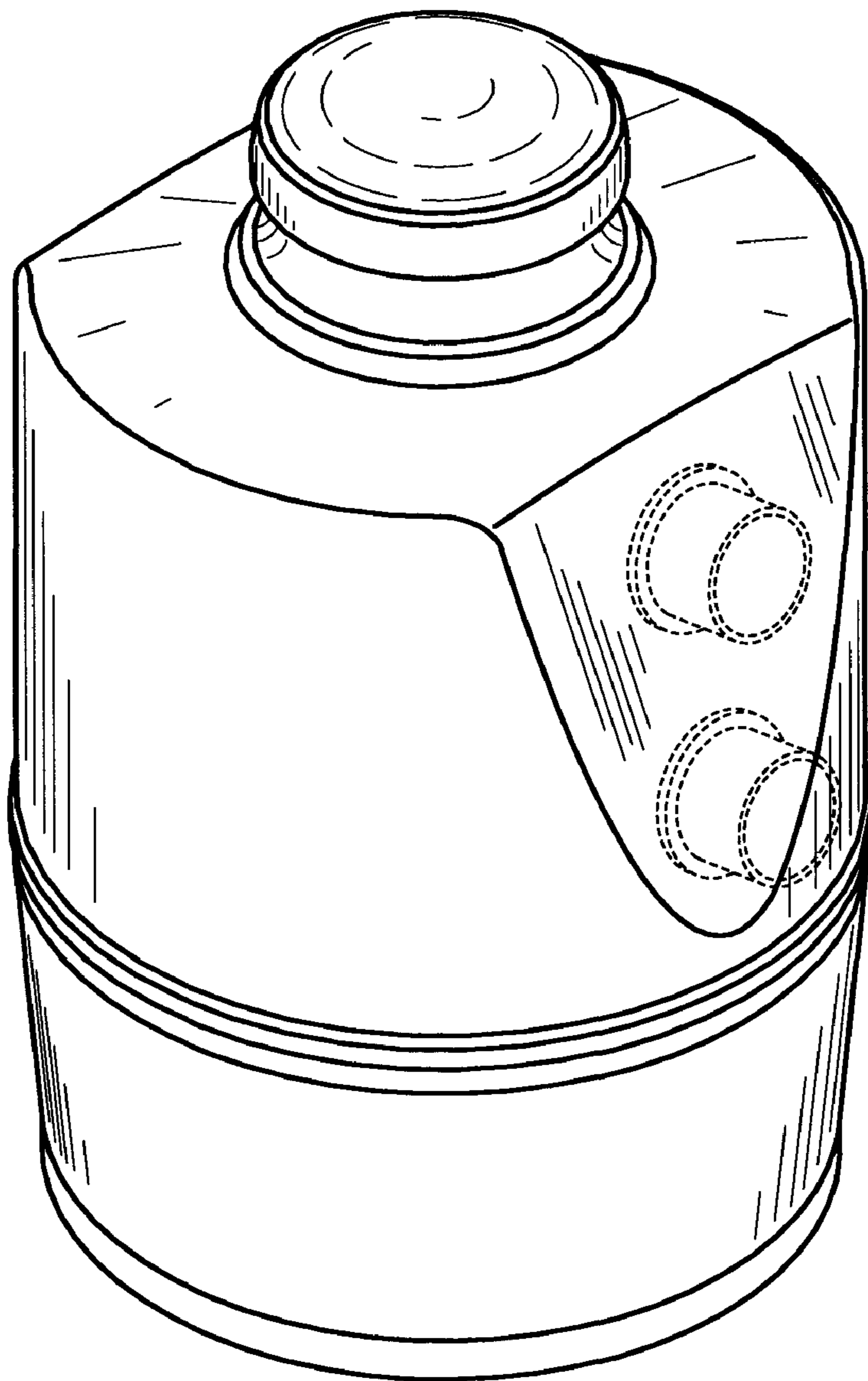


Fig. 2

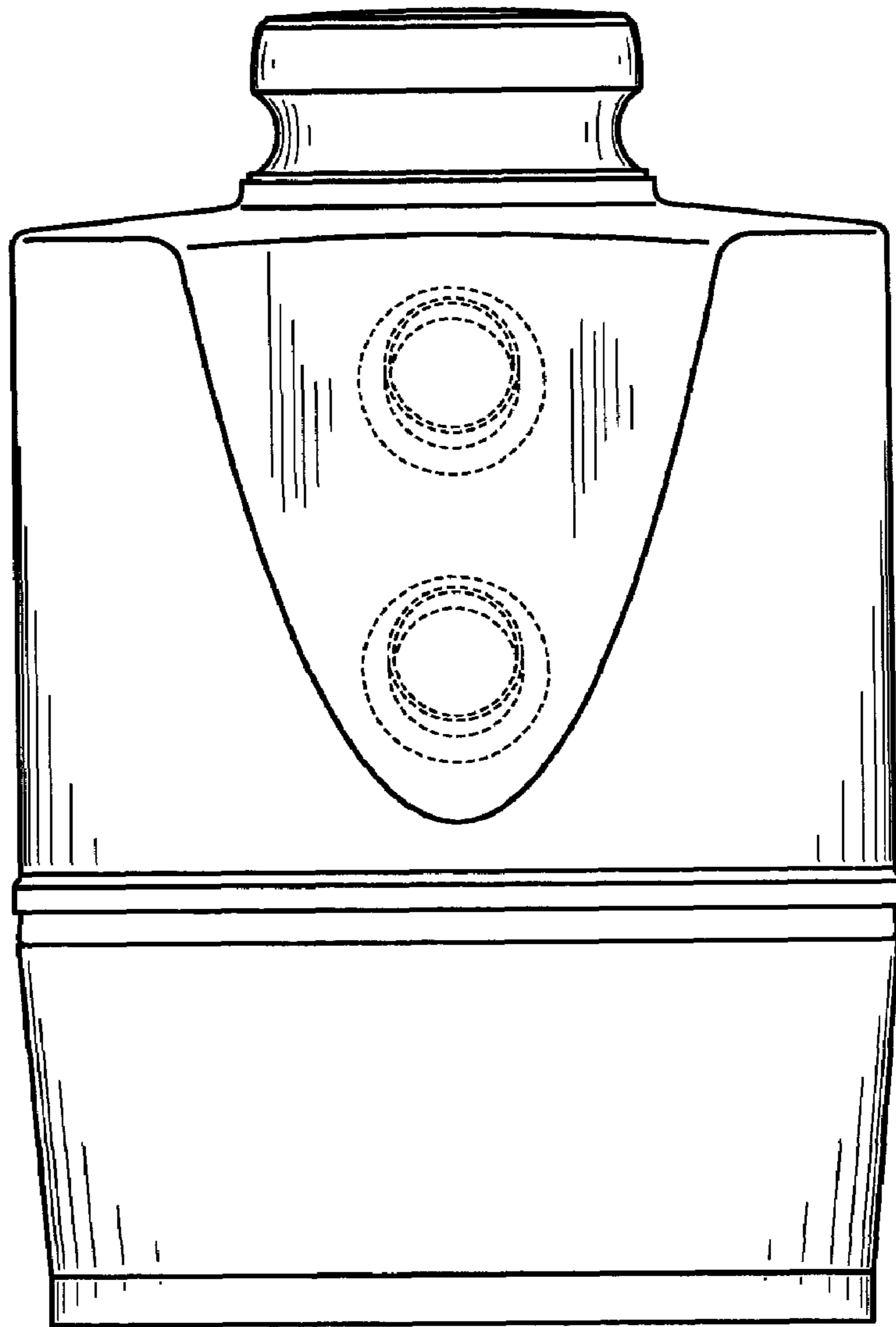


Fig. 3

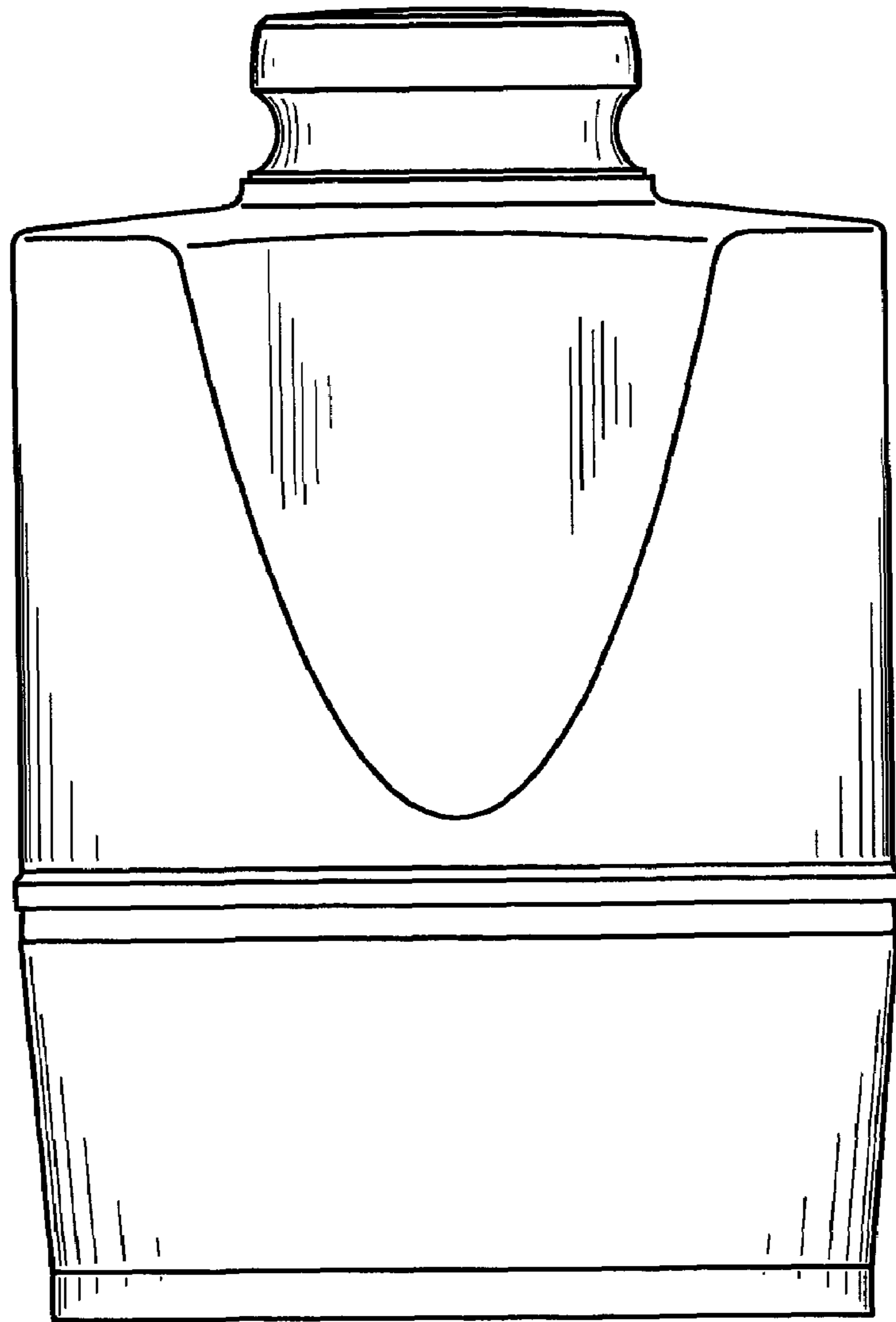


Fig. 4

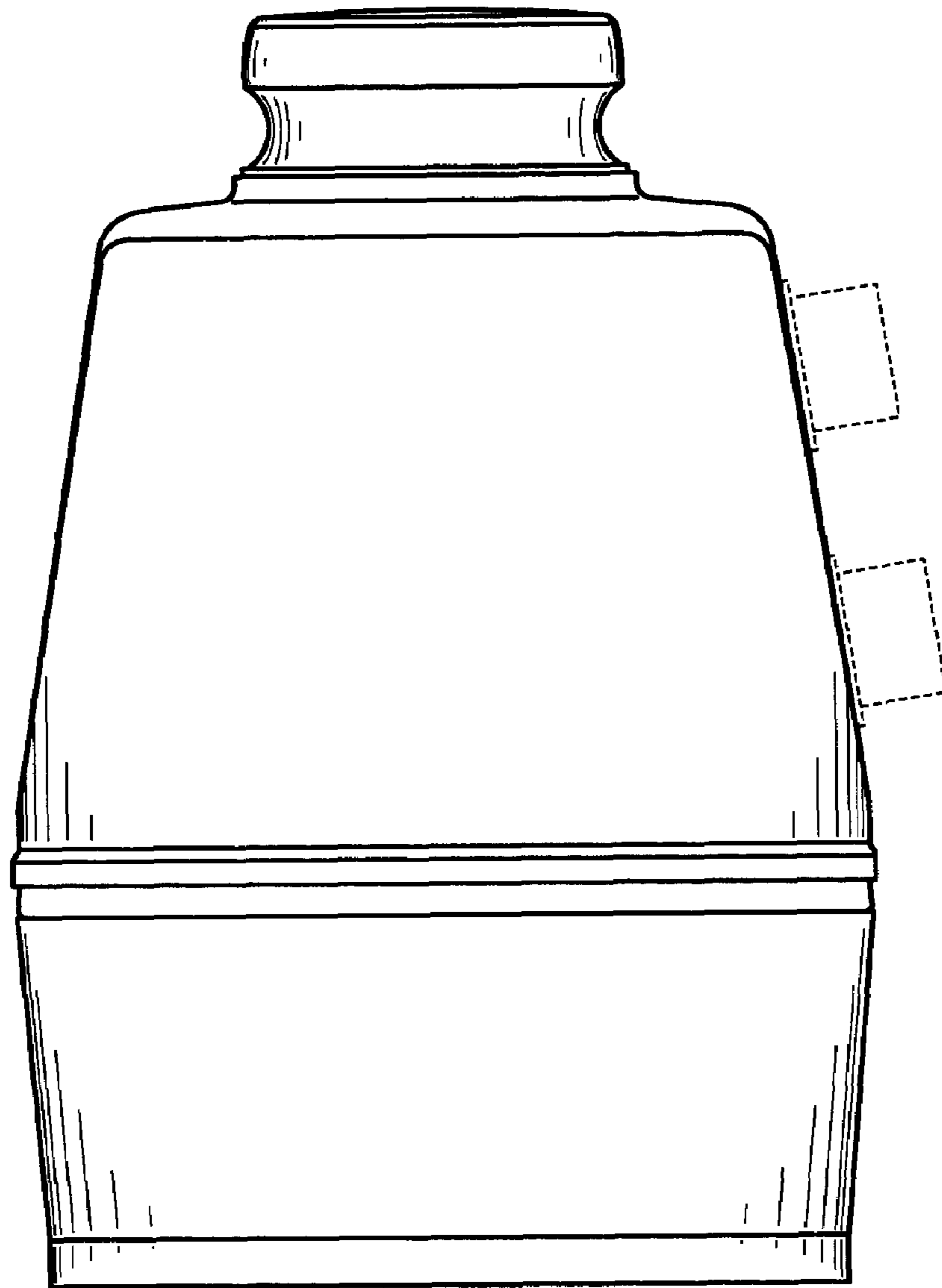


Fig. 5

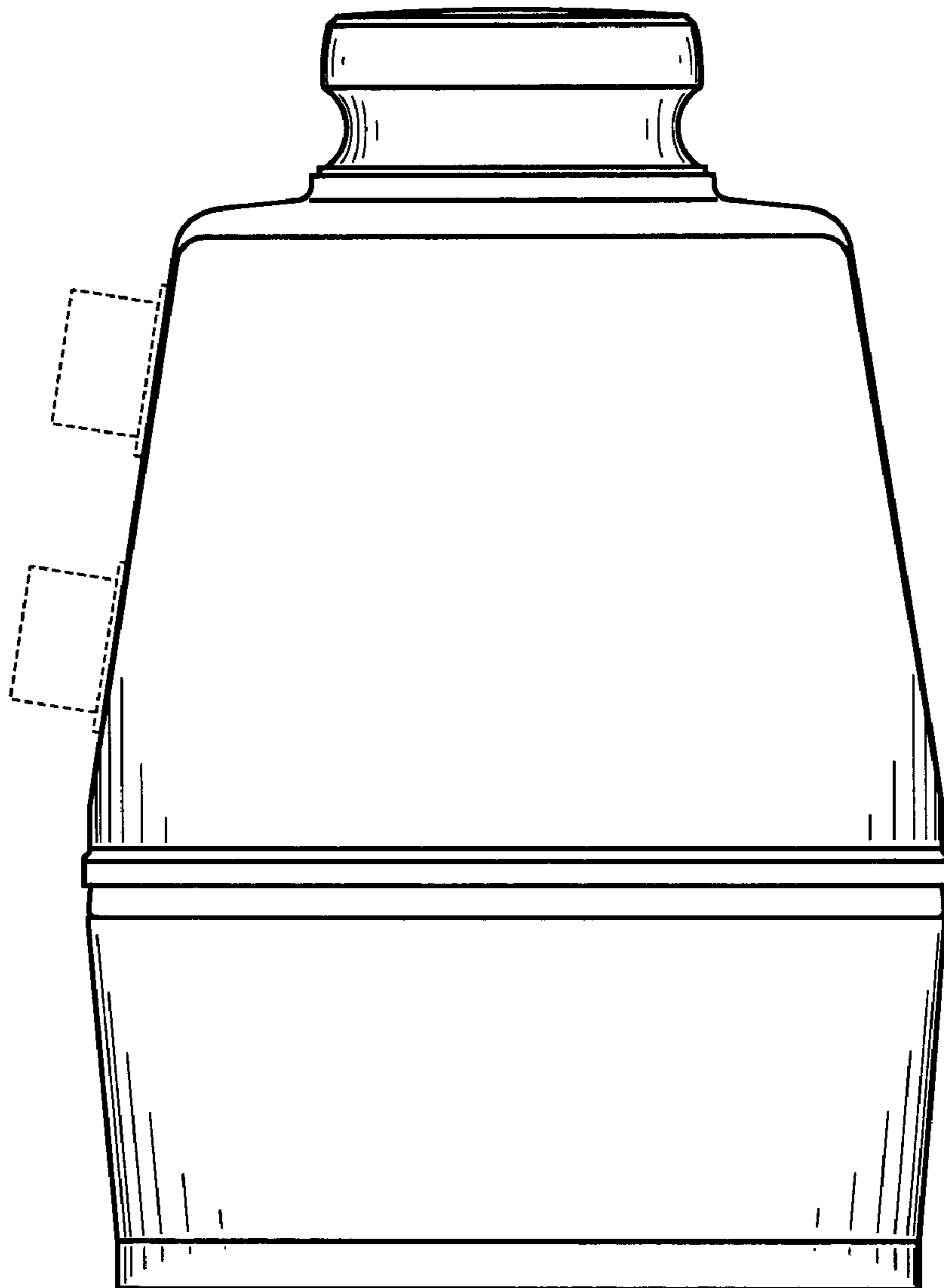


Fig. 6

