



US00D588033S

(12) **United States Design Patent**  
**Dunlap**

(10) **Patent No.:** **US D588,033 S**  
(45) **Date of Patent:** **\*\* Mar. 10, 2009**

(54) **POSTAGE SCALE**

(74) *Attorney, Agent, or Firm*—McNees Wallace & Nurick

(75) Inventor: **Ben Dunlap**, Statesville, NC (US)

(57) **CLAIM**

(73) Assignee: **Elmer's Products, Inc.**, Columbus, OH (US)

The ornamental design for a postage scale, as shown and described.

(\*\*) Term: **14 Years**

**DESCRIPTION**

(21) Appl. No.: **29/324,771**

FIG. 1 is a front perspective view of a postage scale with the ornament extended showing the design;

(22) Filed: **Sep. 19, 2008**

FIG. 2 is a front view thereof;

(51) **LOC (9) Cl.** ..... **10-04**

FIG. 3 is a rear view thereof;

(52) **U.S. Cl.** ..... **D10/91**

FIG. 4 is a side view thereof;

(58) **Field of Classification Search** ..... D10/88-94;

FIG. 5 is a top view thereof;

177/210 R, 210 C, 210 GM, 210 PP, 236,

FIG. 6 is a front perspective view of the postage scale with the ornament lowered, showing the new design;

177/245, DIG. 3, 25.12-25.18, 177, 126,

FIG. 7 is a front view thereof;

177/1, 181, 25, 30, 127, 131, 148, 225, 21 EM,

FIG. 8 is a rear view thereof;

177/21 FP, 212-214, 211; 600/506, 547

FIG. 9 is a side view thereof; and,

See application file for complete search history.

FIG. 10 is a top view thereof.

(56) **References Cited**

Views of the bottom of the postage scale have been omitted because the bottom surface is substantially flat and devoid of surface ornamentation.

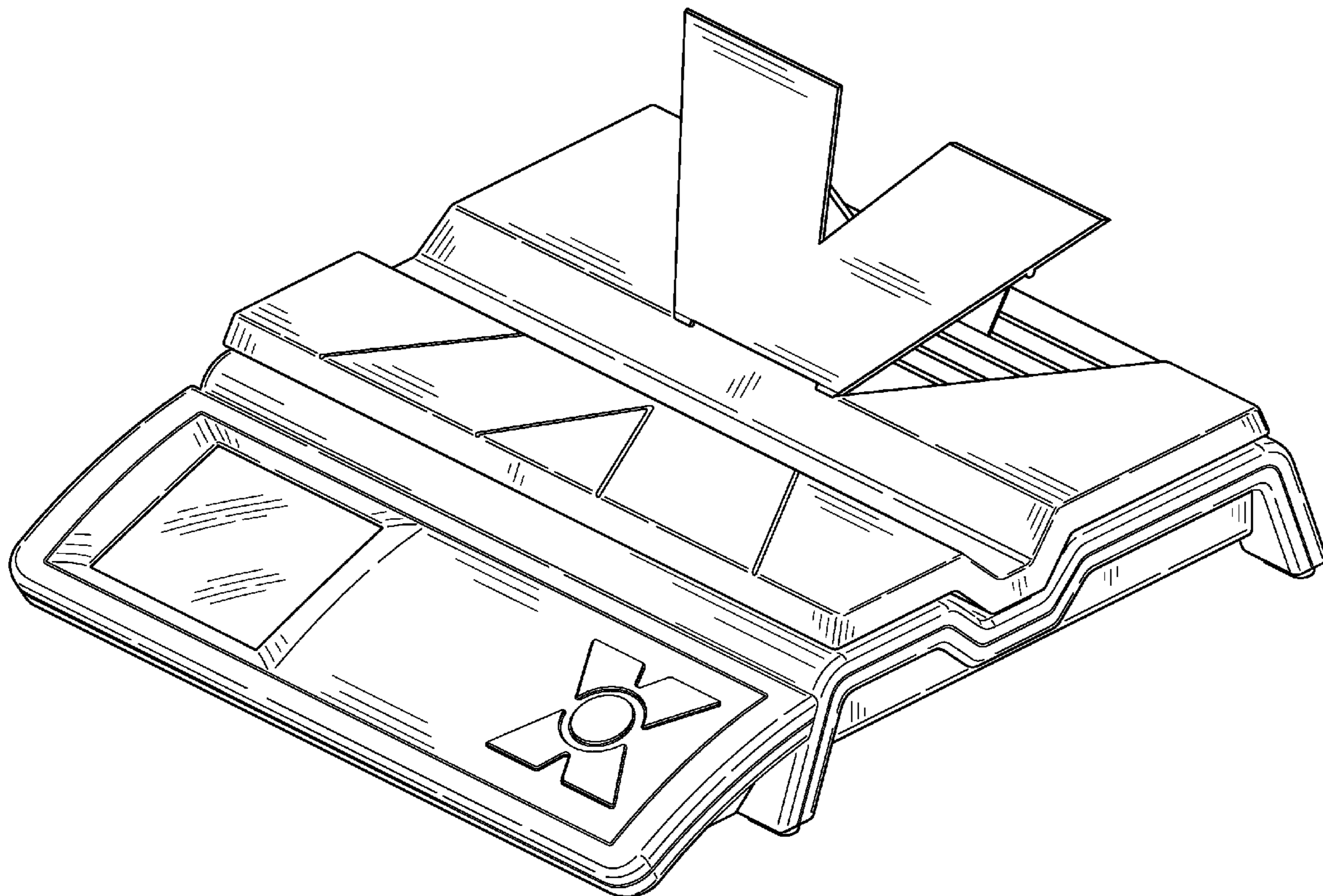
**U.S. PATENT DOCUMENTS**

D579,808 S \* 11/2008 Marmier ..... D10/91

\* cited by examiner

*Primary Examiner*—Antoine D Davis

**1 Claim, 8 Drawing Sheets**



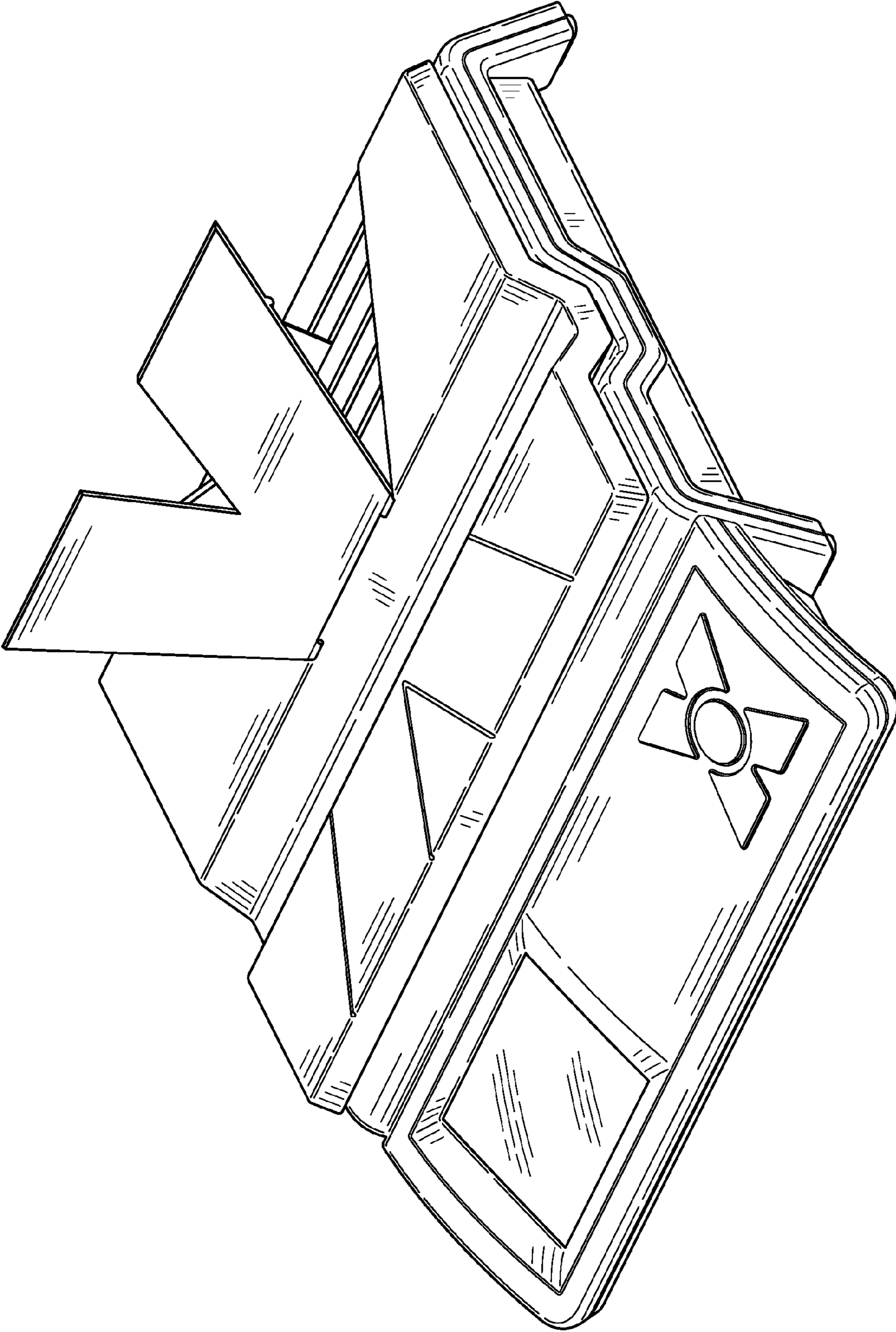


FIG. 1

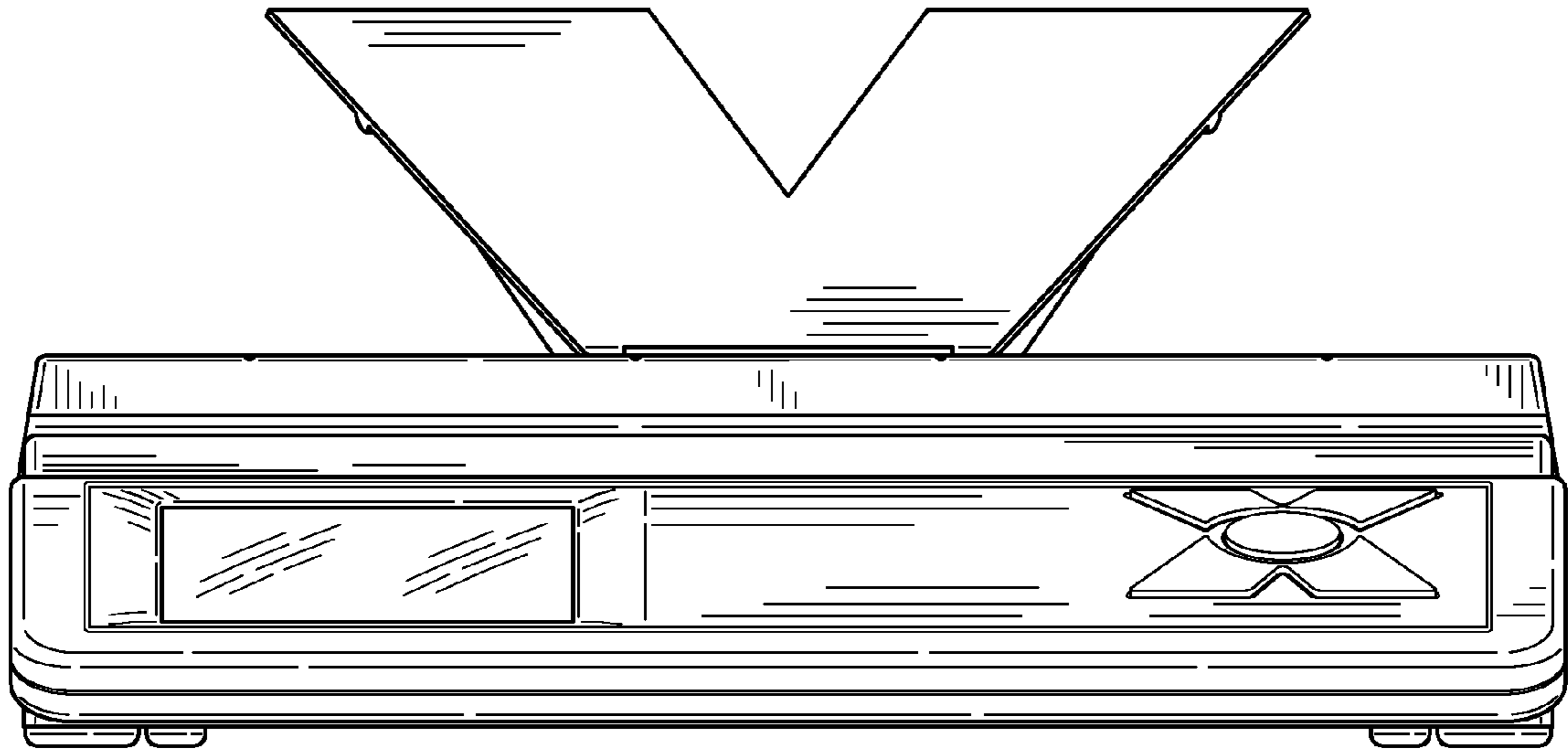


FIG. 2

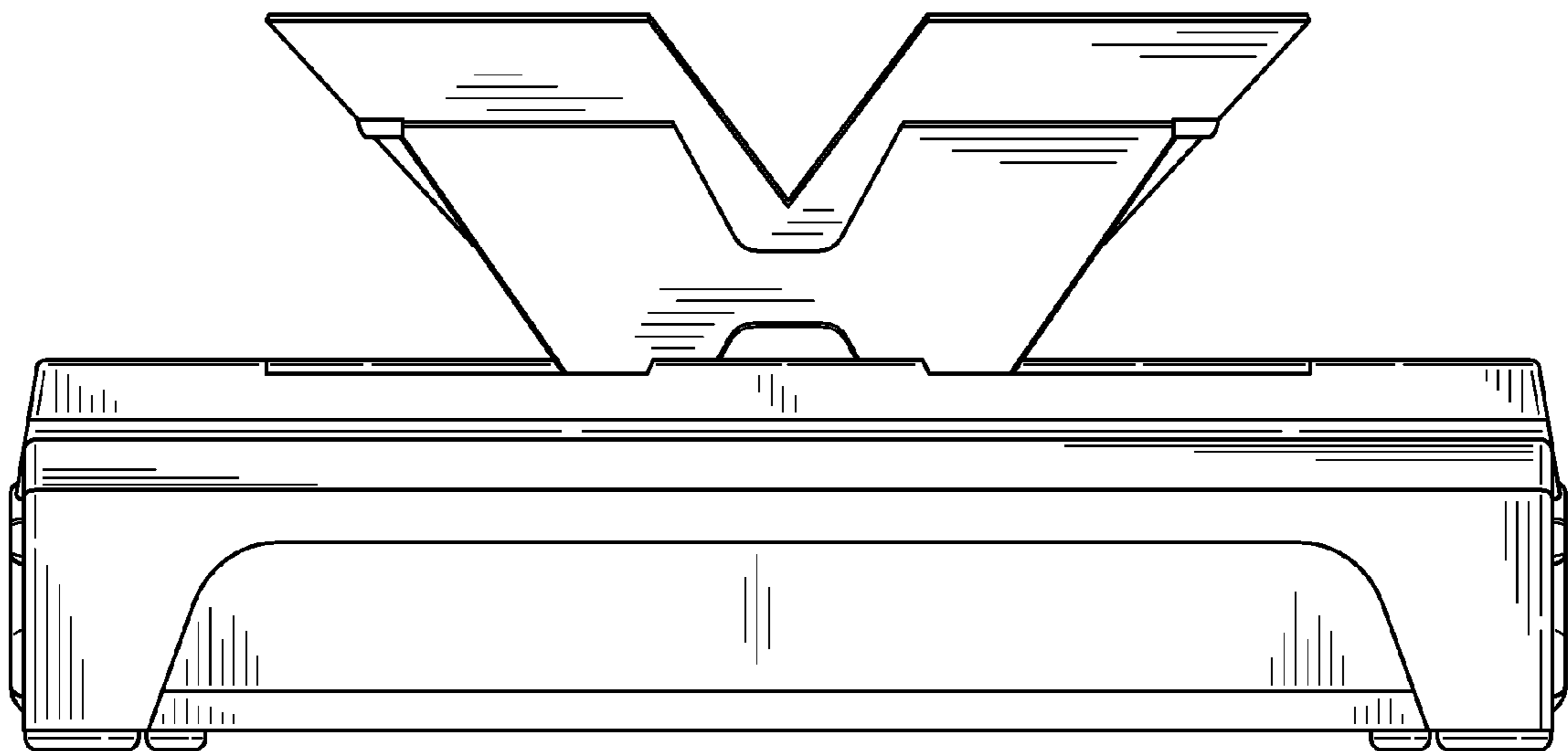


FIG. 3

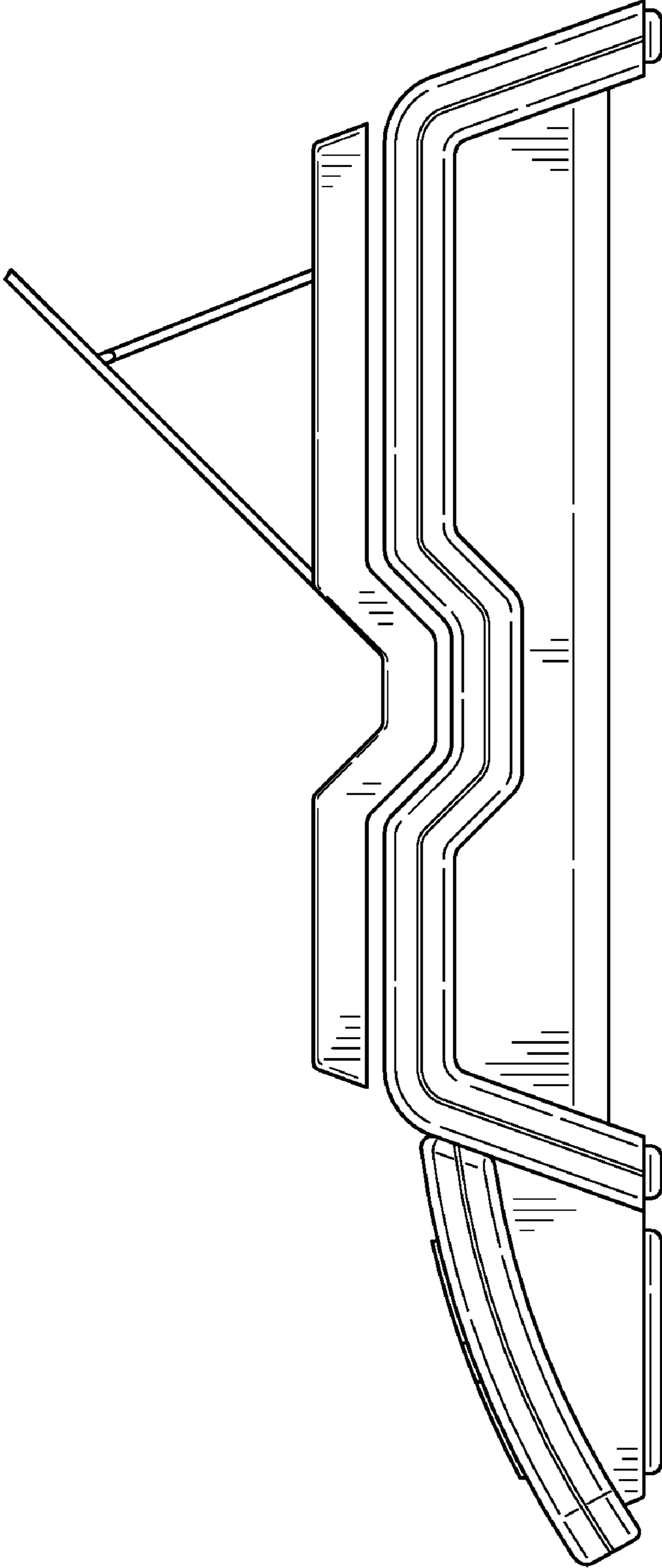


FIG. 4

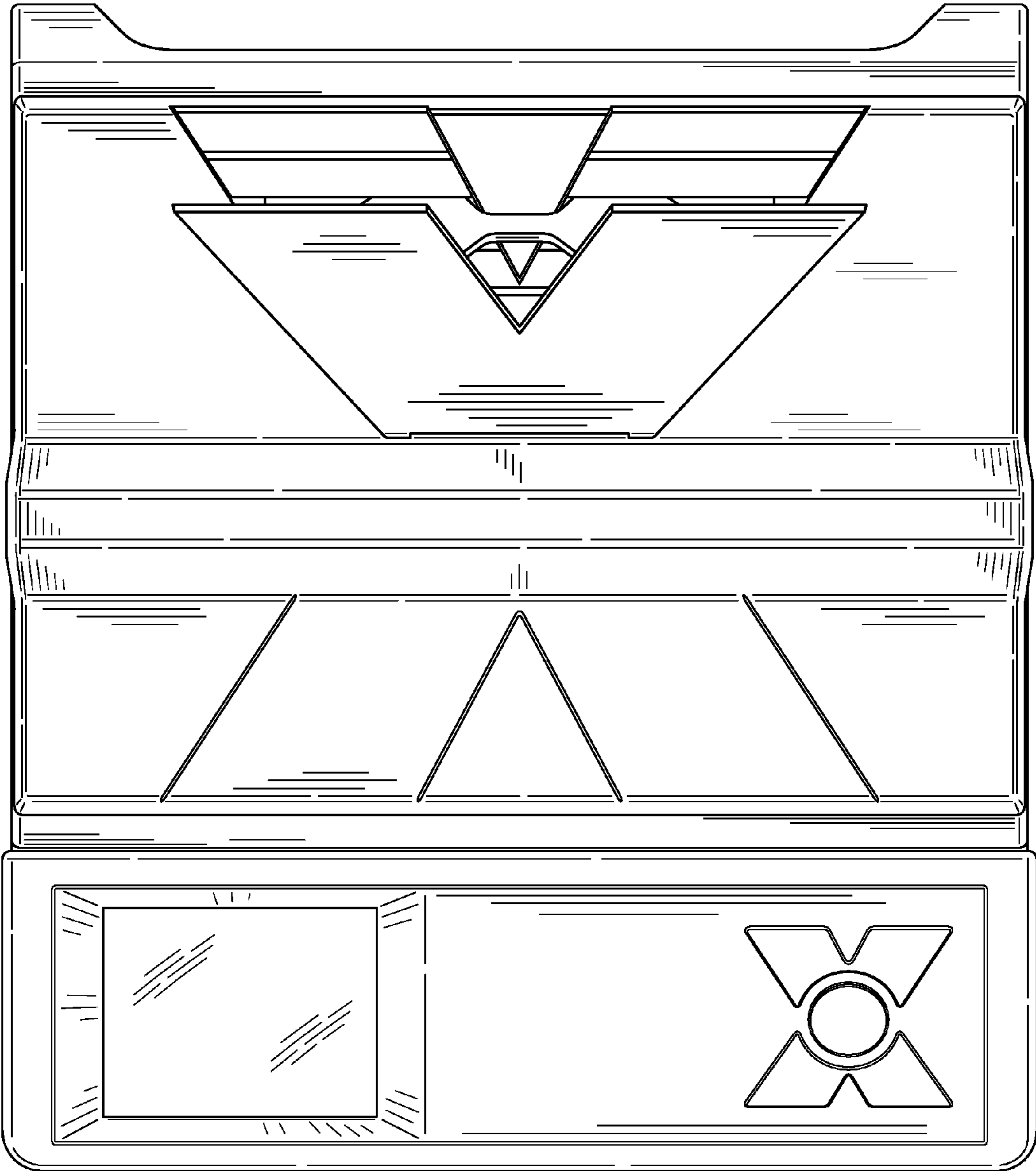


FIG. 5

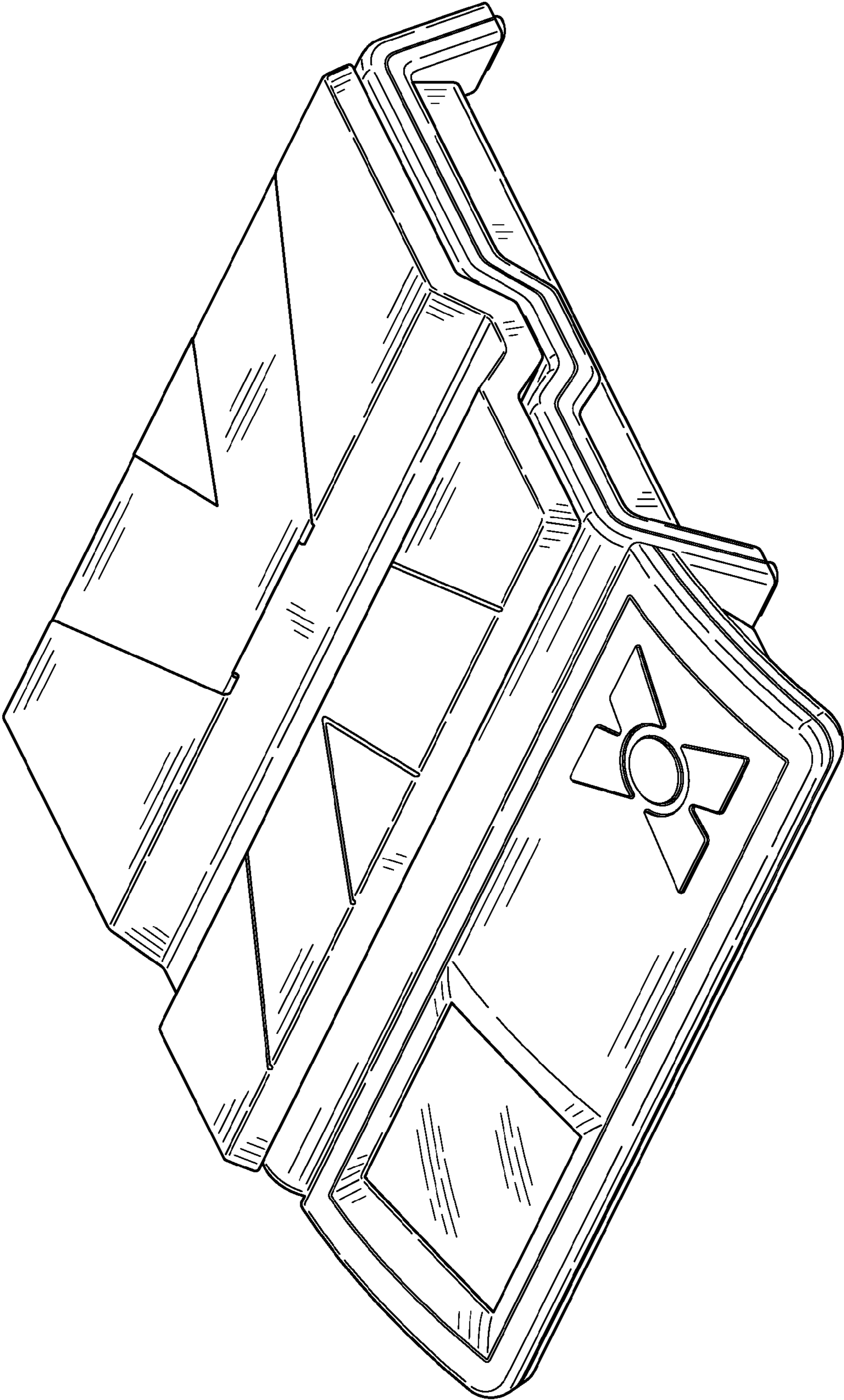


FIG. 6

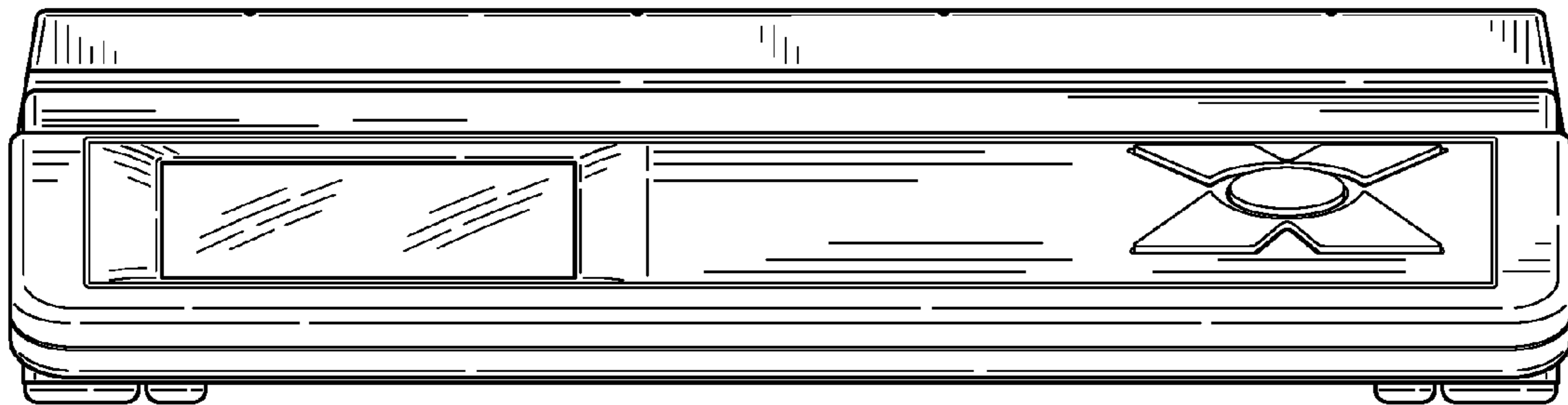


FIG. 7

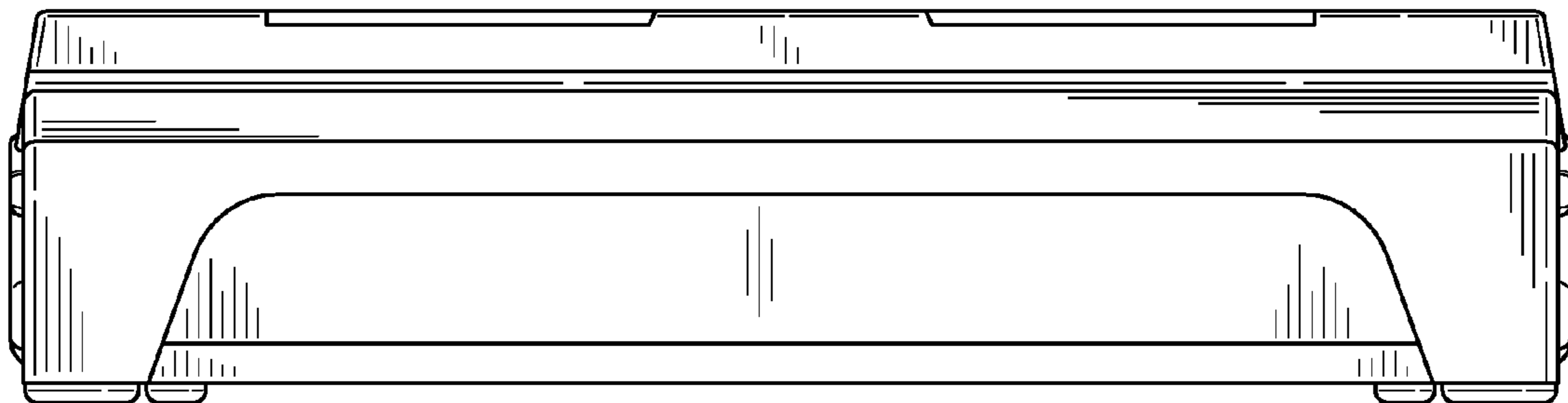


FIG. 8

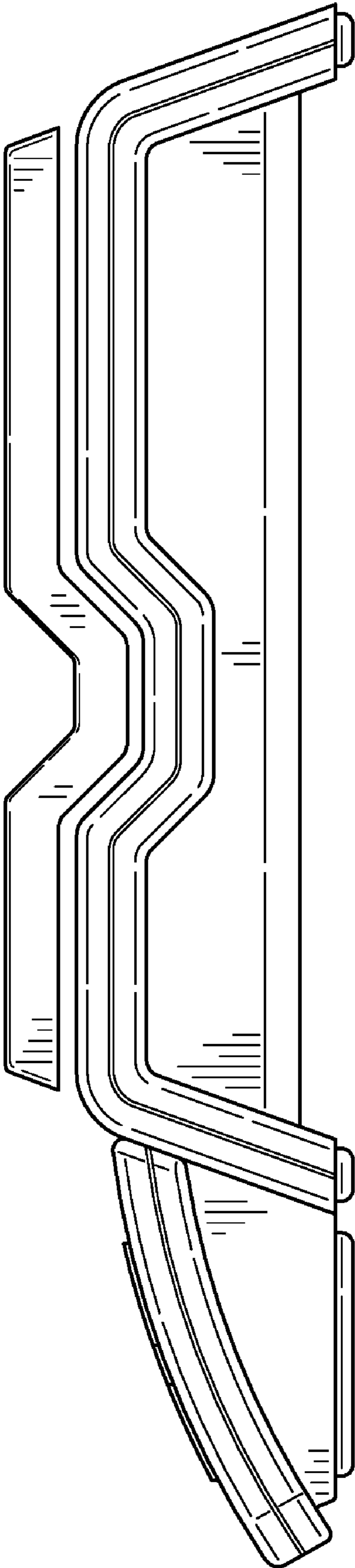


FIG. 9



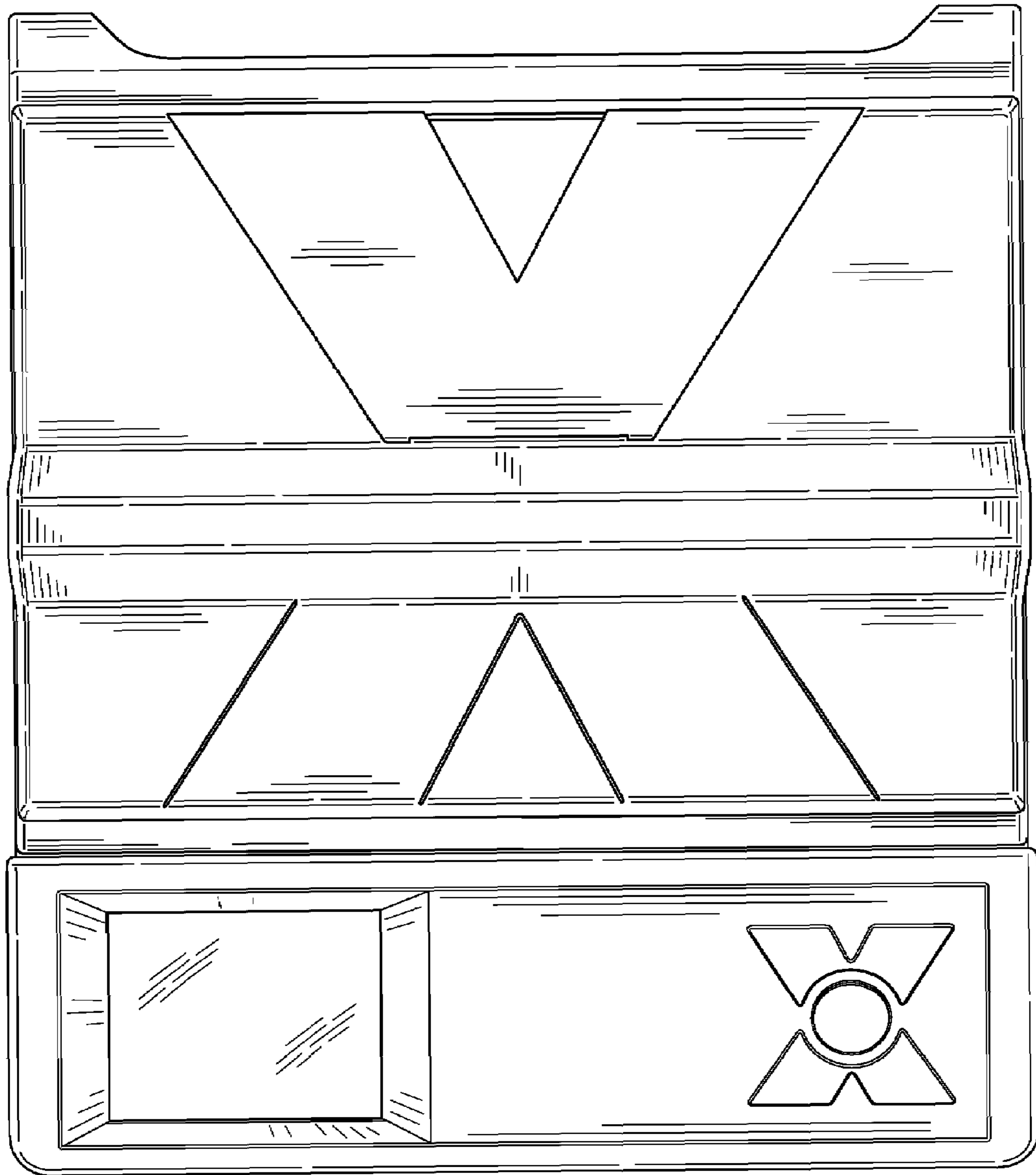


FIG. 10